



US00D457163S

(12) **United States Design Patent**
Peiker

(10) **Patent No.:** **US D457,163 S**

(45) **Date of Patent:** **** May 14, 2002**

(54) **CRADLE FOR PERSONAL DIGITAL ASSISTANT**

D411,824 S * 7/1999 Wilson, Sr. et al. D13/108
D412,494 S * 8/1999 Tamaki et al. D14/314
D450,707 S * 11/2001 Francavilla et al. D14/434

(76) Inventor: **Andreas Peiker**, Max-Planck-Strasse
32, D-61381 Friedrichsdorf (DE)

* cited by examiner

(**) Term: **14 Years**

Primary Examiner—Kay H. Chin
(74) *Attorney, Agent, or Firm*—Venable; Gabor J. Kelemen;
Robert Kinberg

(21) Appl. No.: **29/142,946**

(22) Filed: **Jun. 6, 2001**

(57) **CLAIM**

(30) **Foreign Application Priority Data**

The ornamental design for a cradle for personal digital assistant, as shown and described.

Dec. 7, 2000 (DE) 400 11 401

DESCRIPTION

(51) **LOC (7) Cl.** **14-02**

FIG. 1 is a perspective view, from the front, of my new design.

(52) **U.S. Cl.** **D14/434; D14/341**

FIG. 2 is a perspective view, from the rear, of my new design

(58) **Field of Search** D14/432-434,
D14/439-447, 300, 356, 357, 341-355;
D13/184, 199; 361/679-687; 200/5 R, 5 A,
6 R, 6 A

FIG. 3 is a front elevational view thereof.

FIG. 4 is a left side elevational view thereof.

FIG. 5 is a right side elevational view thereof.

FIG. 6 is a top plan view thereof.

FIG. 7 is a bottom plan view thereof; and,

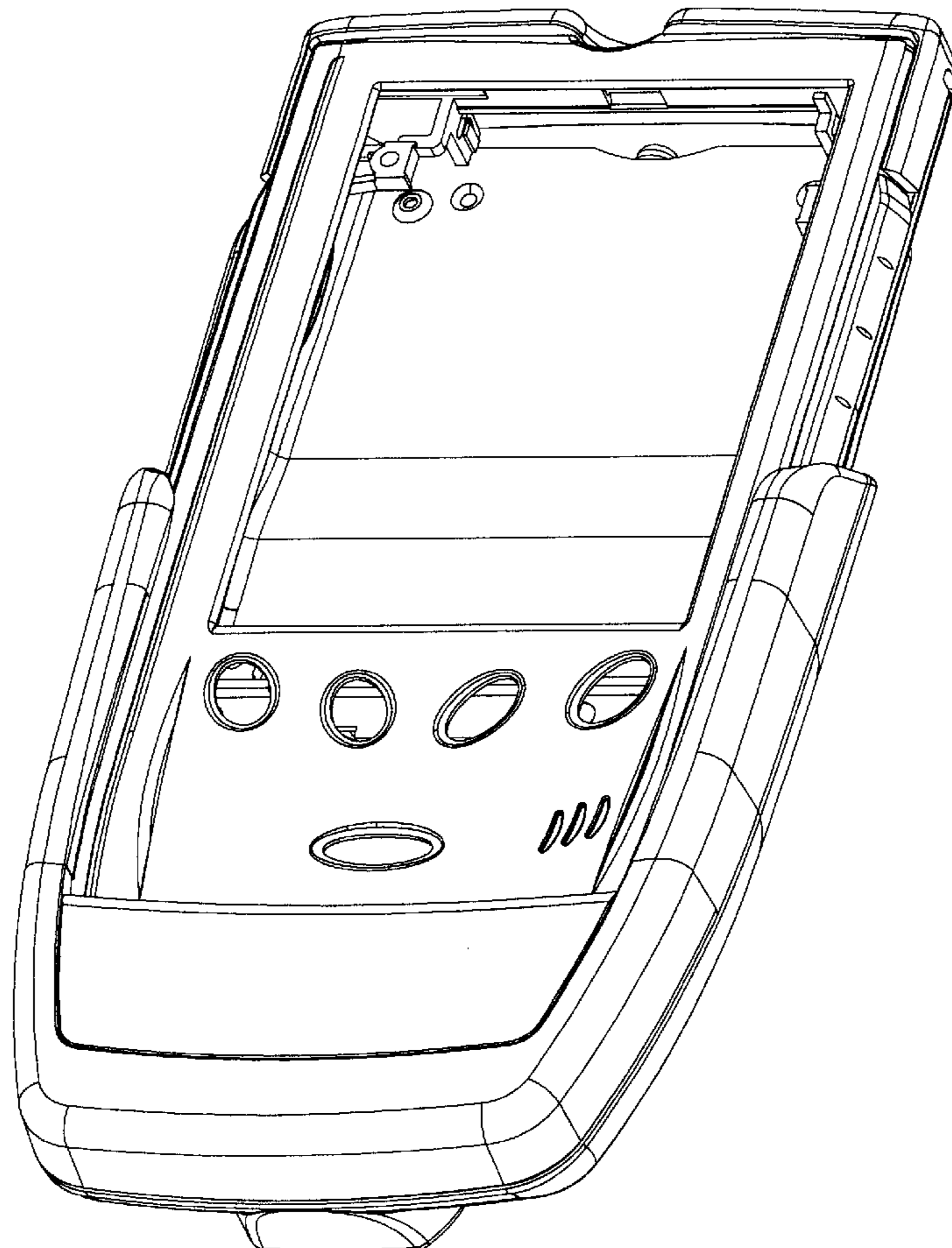
FIG. 8 is a rear elevational view thereof.

(56) **References Cited**

U.S. PATENT DOCUMENTS

D366,659 S * 1/1996 Ross et al. D14/434
D373,121 S * 8/1996 Deluliis et al. D14/457

1 Claim, 8 Drawing Sheets



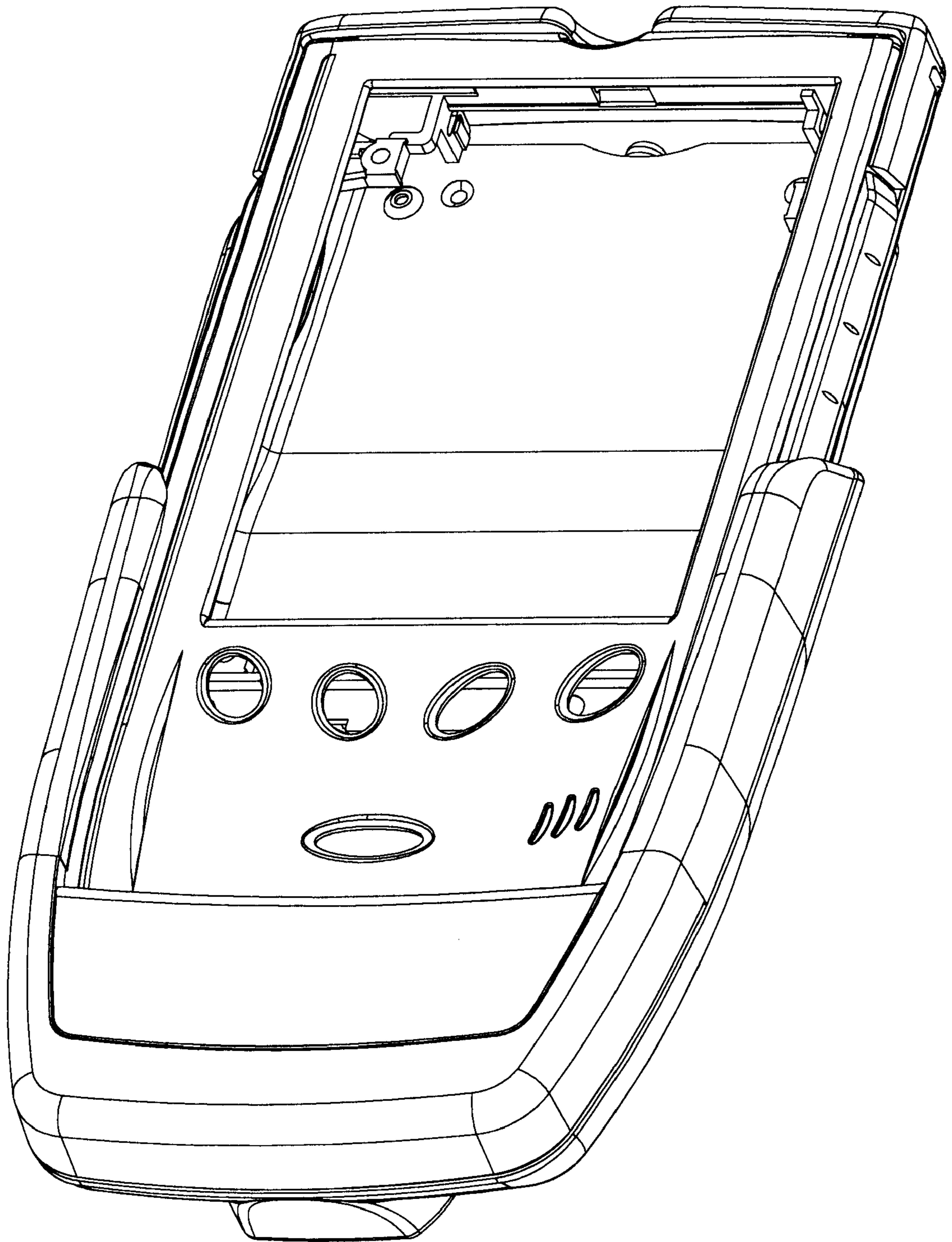


Fig. 1

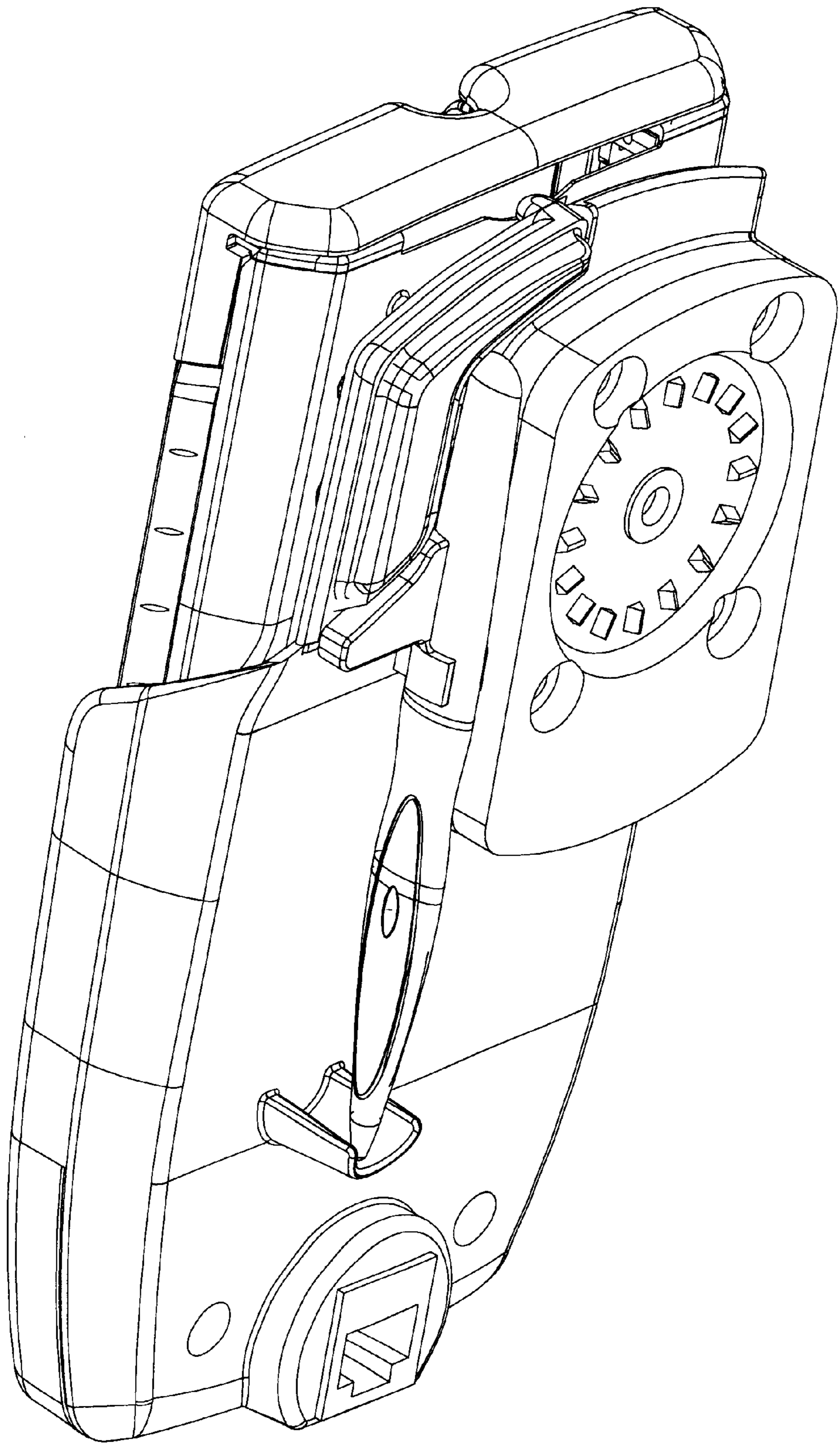


Fig. 2

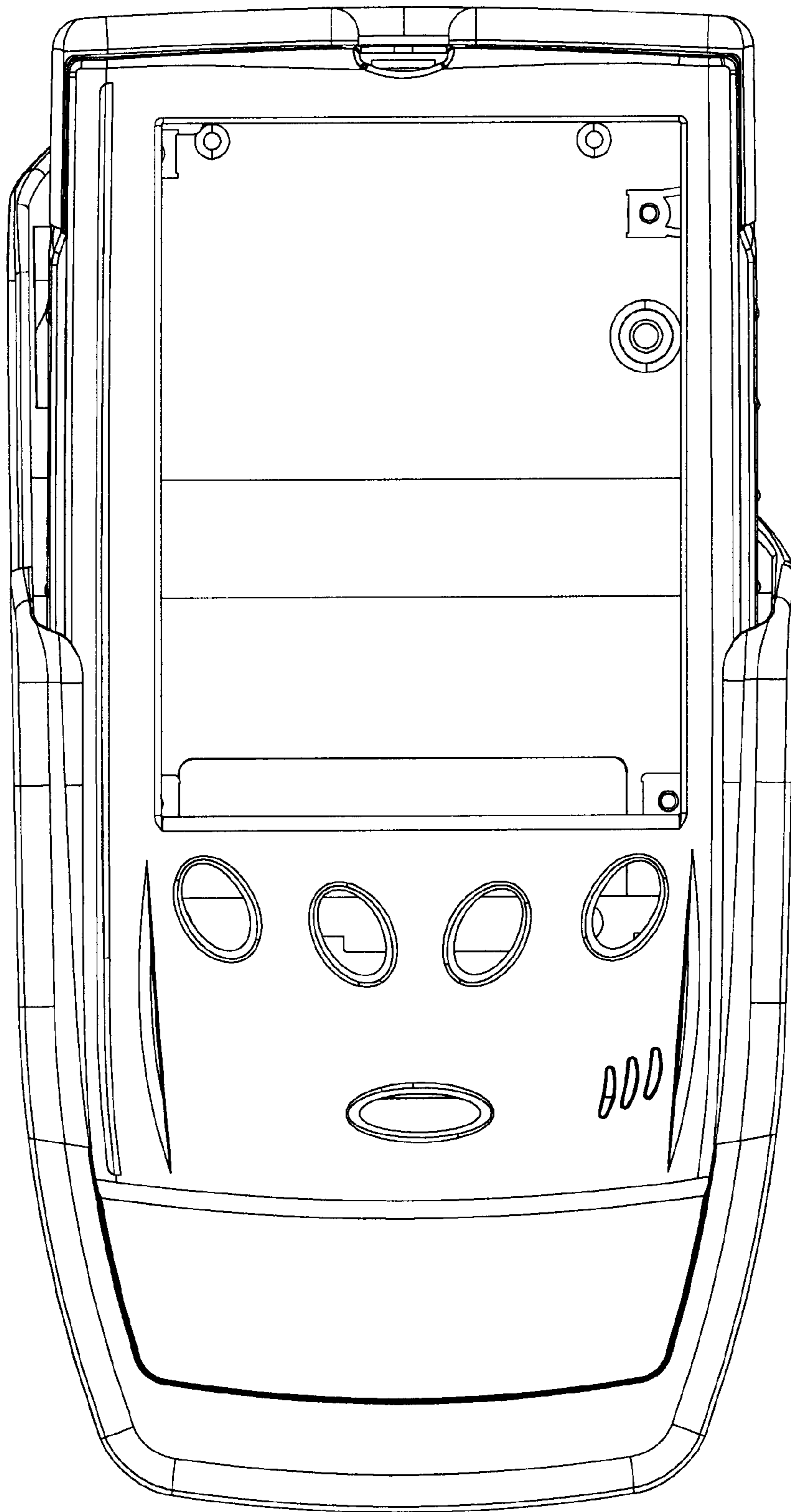


Fig. 3

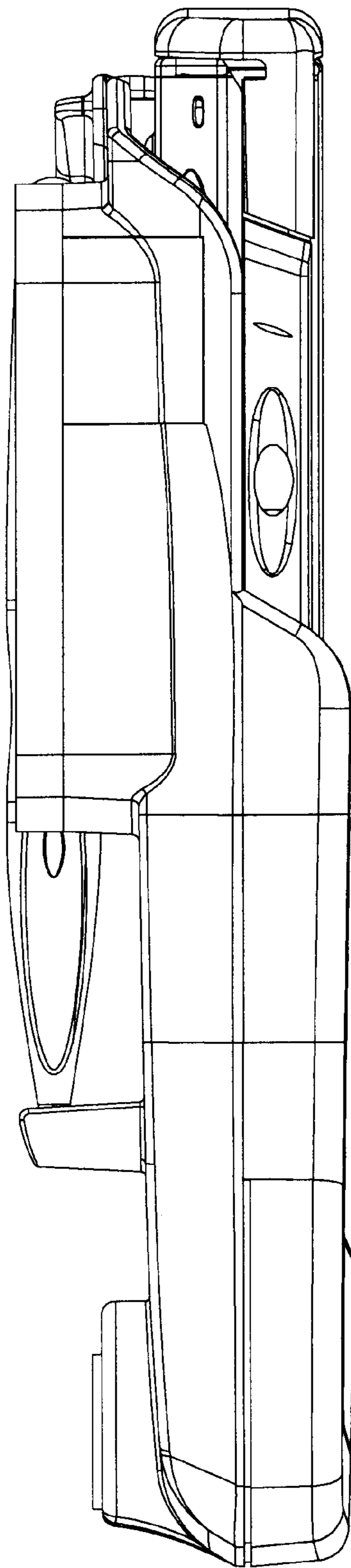


Fig. 4

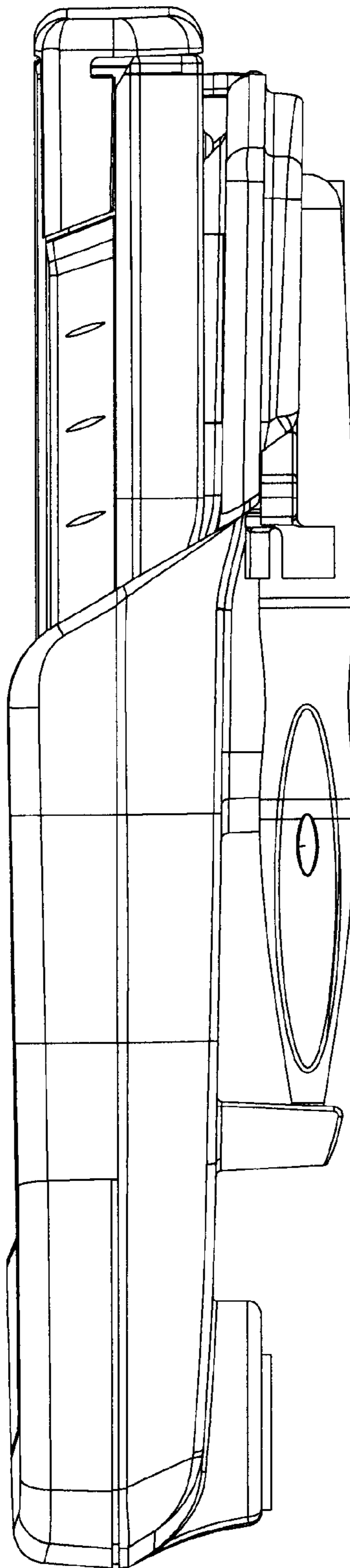


Fig. 5

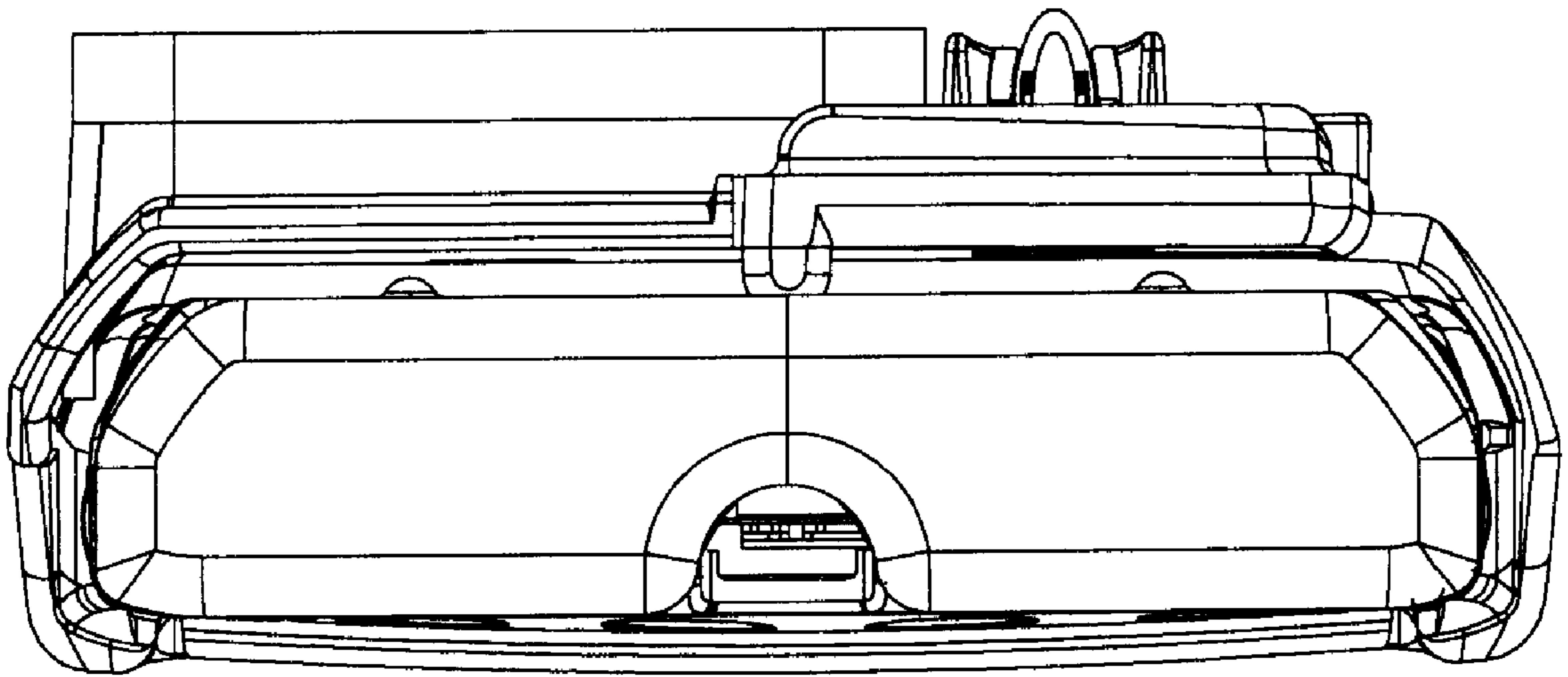


Fig. 6

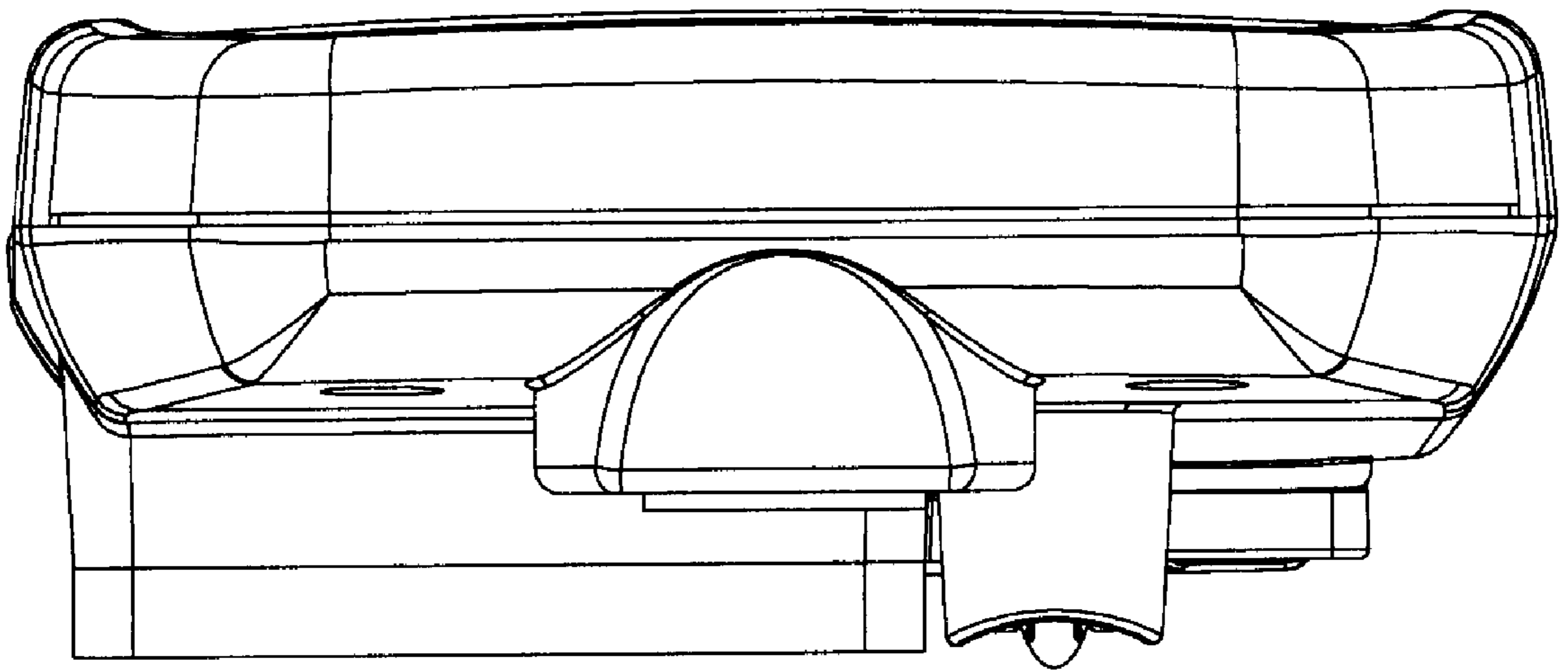


Fig. 7

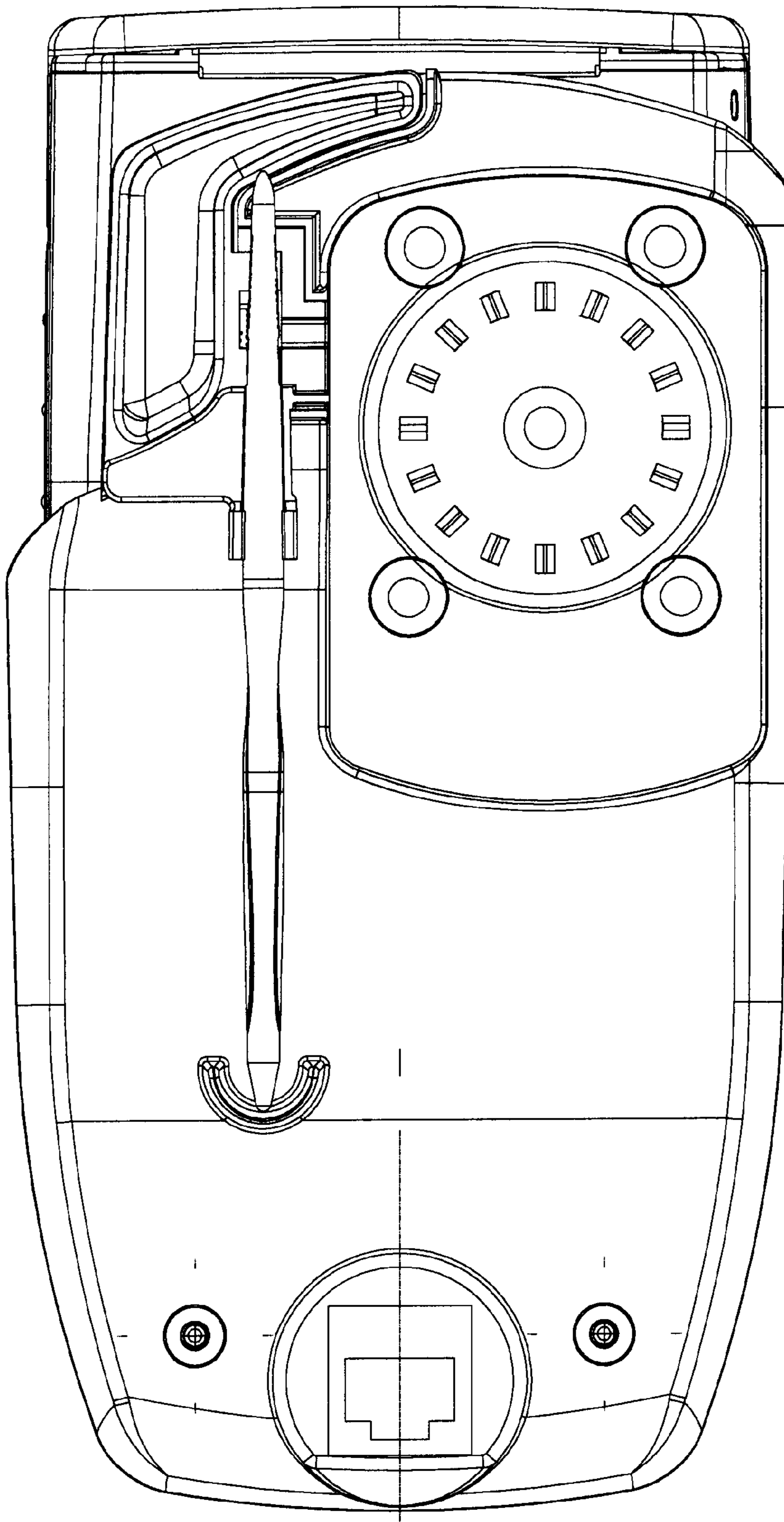


Fig. 8