



US00D457162S

(12) **United States Design Patent**  
**Hawkins et al.**

(10) **Patent No.:** **US D457,162 S**

(45) **Date of Patent:** **\*\* May 14, 2002**

(54) **CRADLE FOR PERSONAL DIGITAL ASSISTANT**

D433,002 S 10/2000 Kolinen ..... D14/138  
D434,410 S 11/2000 Frye et al. .... D14/248  
D434,898 S 12/2000 Jokinen et al. .... D3/218

(75) Inventors: **Jeffrey C. Hawkins**, Redwood City;  
**Peter Skillman**, San Carlos; **Martin Bone**, San Francisco, all of CA (US)

\* cited by examiner

*Primary Examiner*—Kay H. Chin

(74) *Attorney, Agent, or Firm*—Fenwick & West LLP

(73) Assignee: **Handspring, Inc.**, Mountain View, CA (US)

(57) **CLAIM**

(\*\*) Term: **14 Years**

The ornamental design for cradle for personal digital assistant, as shown and described.

(21) Appl. No.: **29/139,870**

**DESCRIPTION**

(22) Filed: **Apr. 5, 2001**

(51) **LOC (7) Cl.** ..... **14-02**

(52) **U.S. Cl.** ..... **D14/434; D14/447**

(58) **Field of Search** ..... D14/432-434,  
D14/439-447, 300, 356, 357; D13/184,  
199; 361/679-687; 200/5 R, 5 A, 6 R,  
6 A

FIG. 1 is a front perspective view of a cradle for personal digital assistant according to the present invention; FIG. 2 is a front elevational view thereof; FIG. 3 is a right elevational view thereof; FIG. 4 is a rear elevational view thereof; FIG. 5 is a front perspective view of a cradle for personal digital assistant according to the present invention, connected to a personal digital assistant; FIG. 6 is a front elevational view thereof; FIG. 7 is a right elevational view thereof; and, FIG. 8 is a rear elevational view thereof.

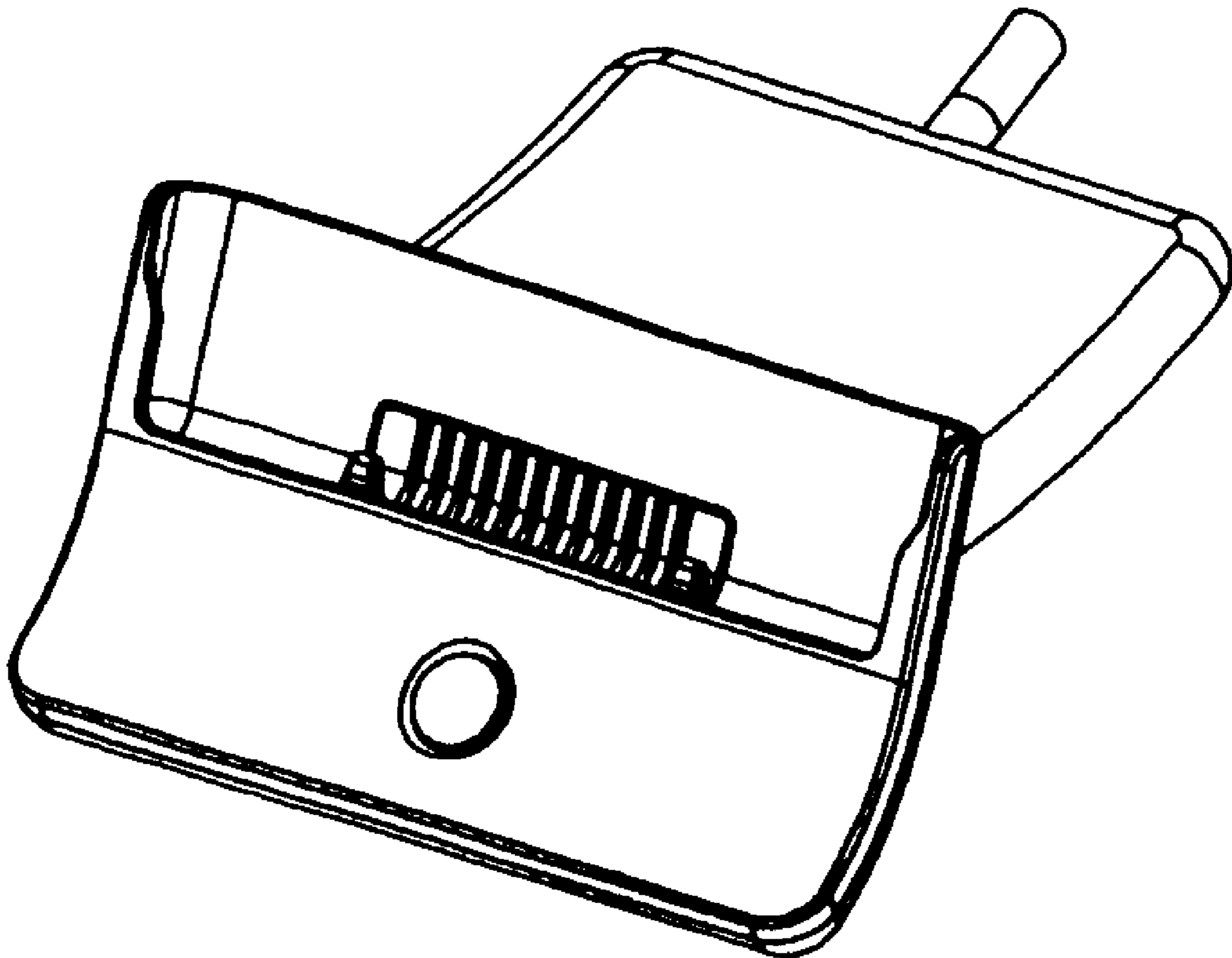
(56) **References Cited**

**U.S. PATENT DOCUMENTS**

D358,144 S \* 5/1995 Masaaki ..... D14/447  
D397,679 S 9/1998 Hawkins et al. .... D14/100  
D412,162 S \* 7/1999 Tal et al. .... D14/434  
D416,256 S 11/1999 Griffin et al. .... D14/191  
D420,989 S \* 2/2000 Sandhu et al. .... D14/434

The broken line showing of a personal digital assistant is for illustrative purposes only and forms no part of the claimed design.

**1 Claim, 2 Drawing Sheets**



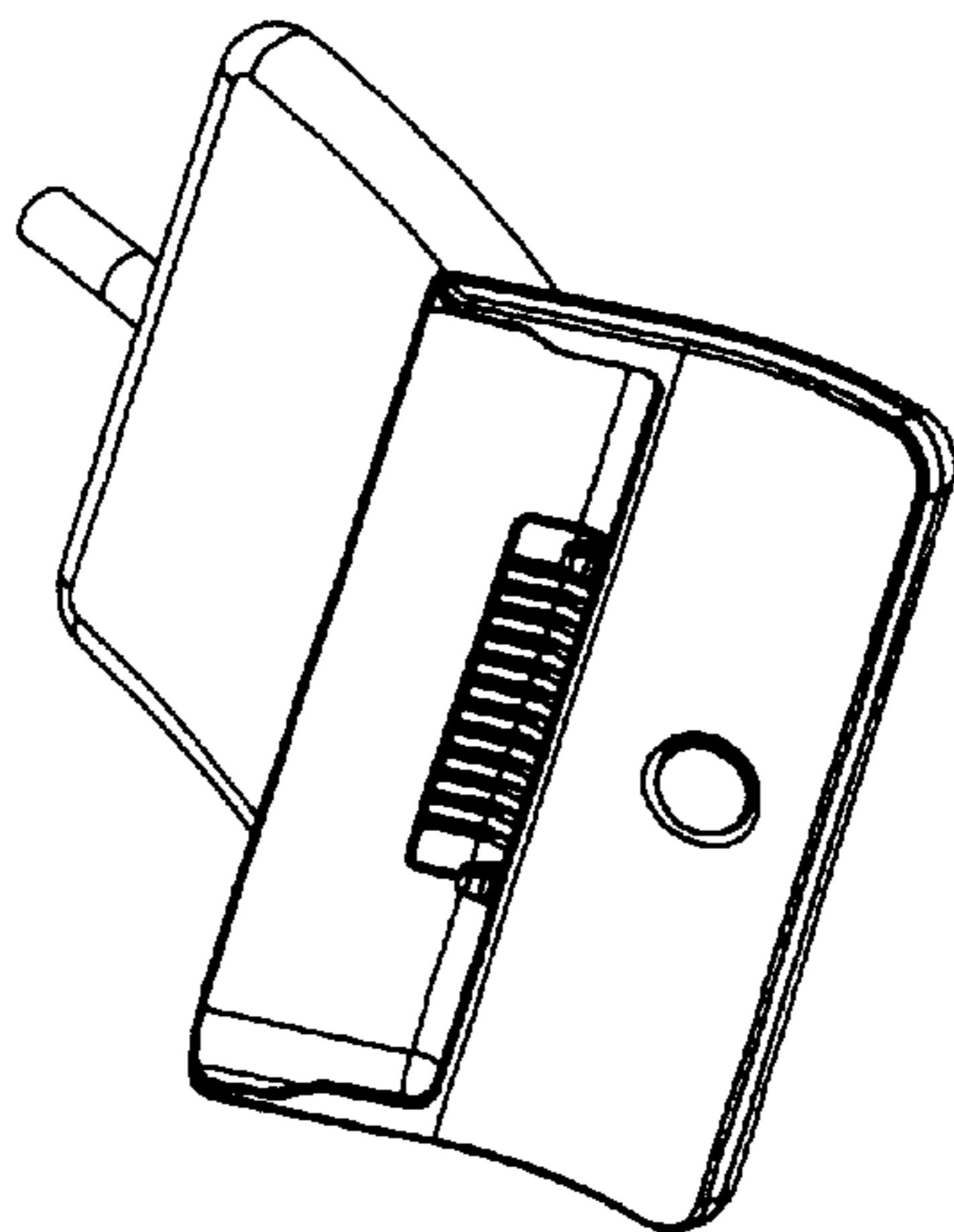


FIG. 1

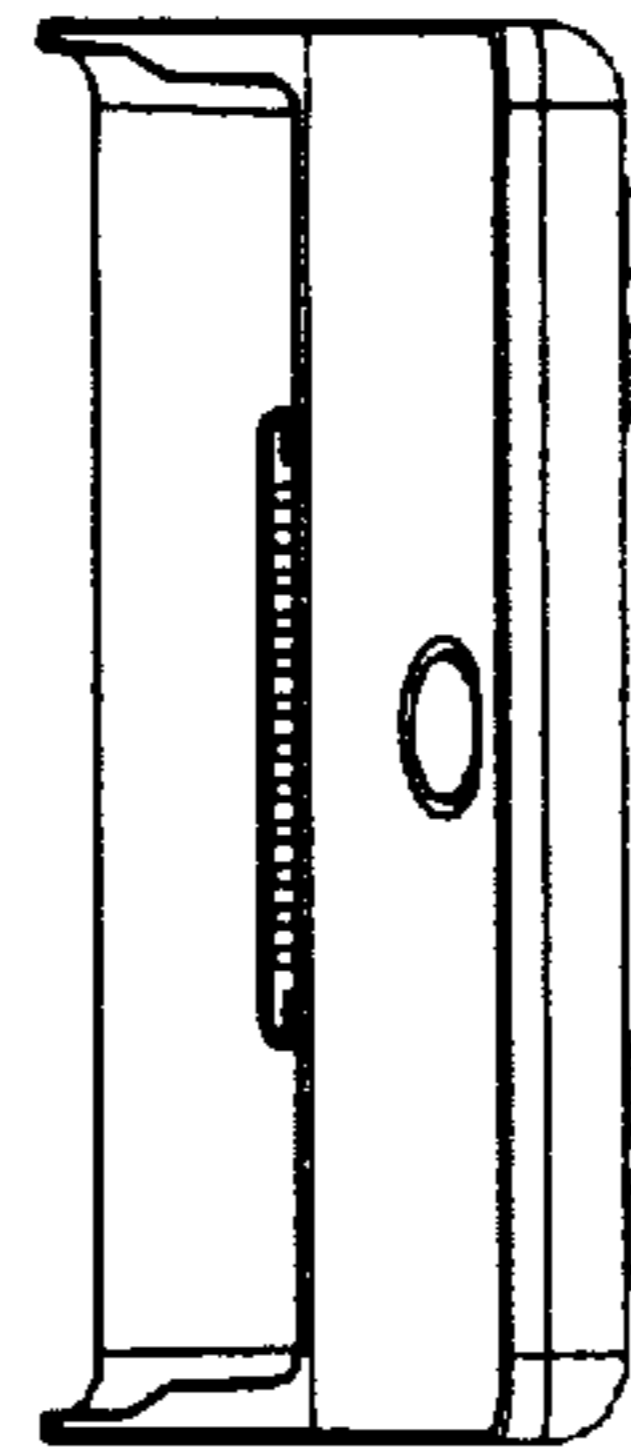


FIG. 2

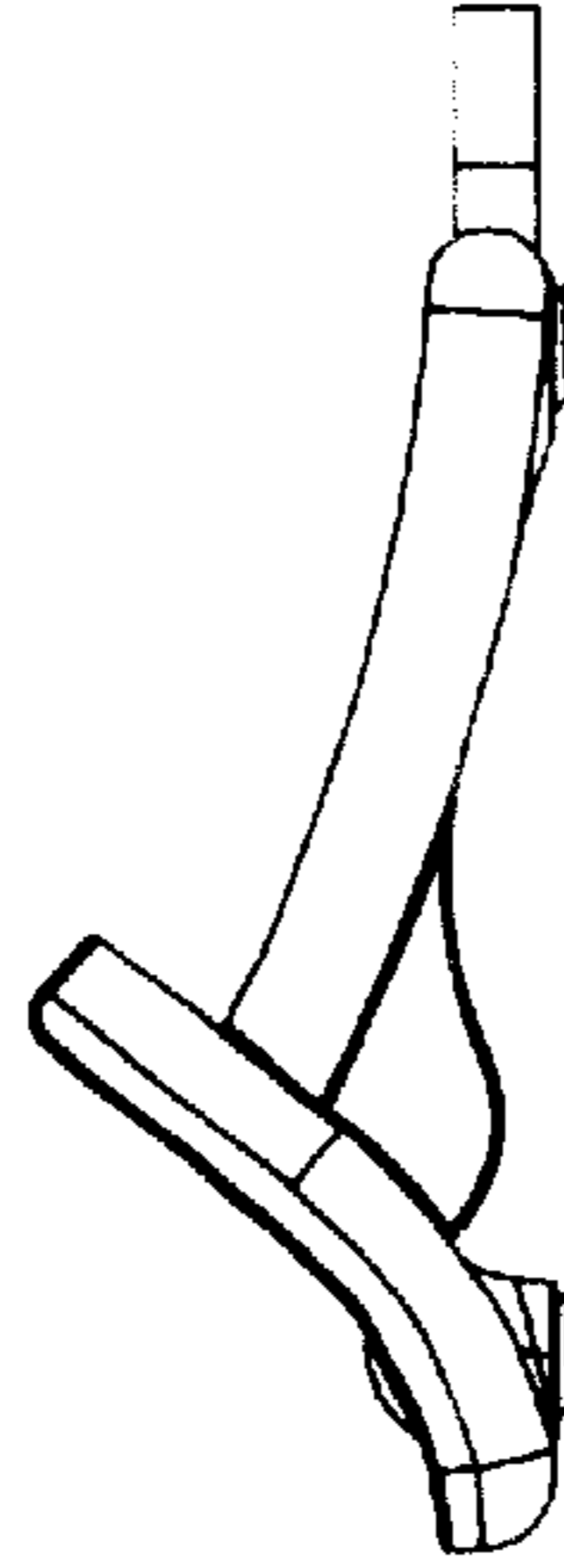


FIG. 3

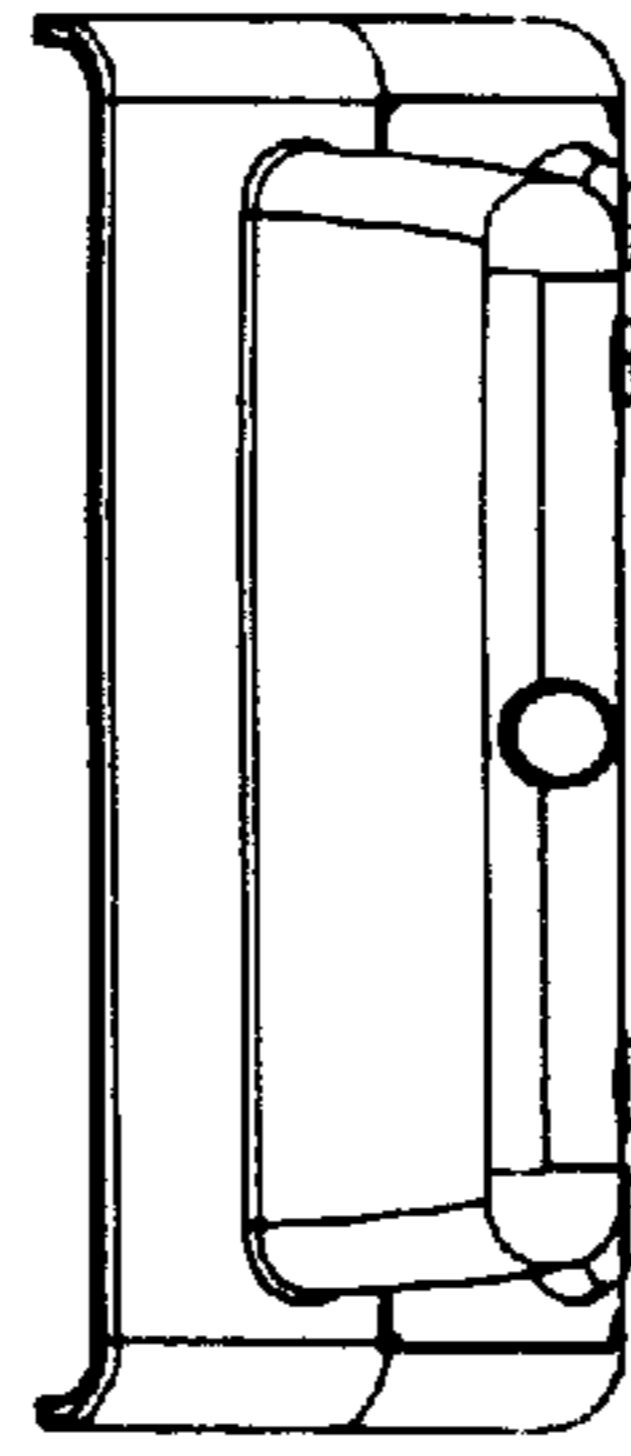


FIG. 4

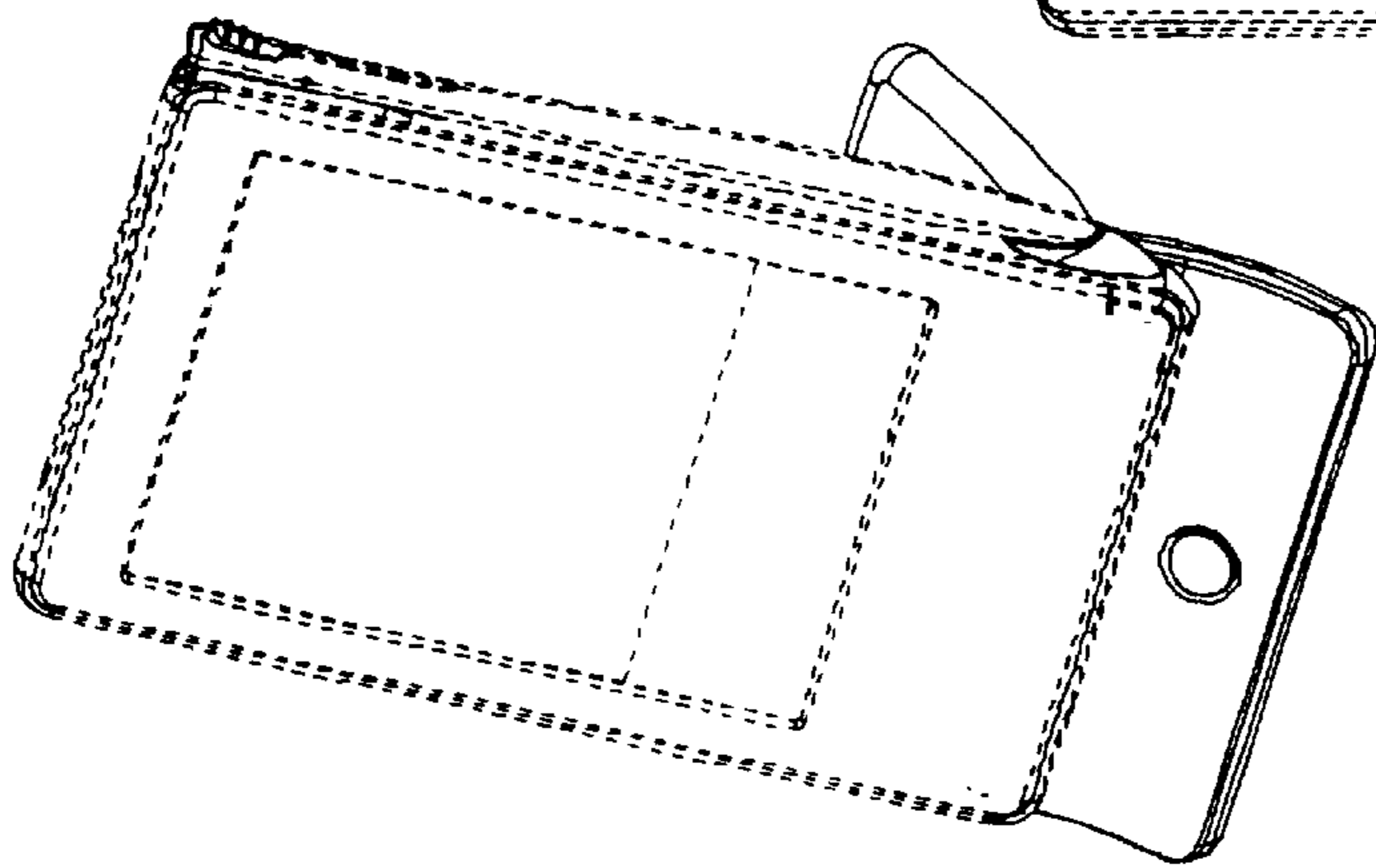


FIG. 5

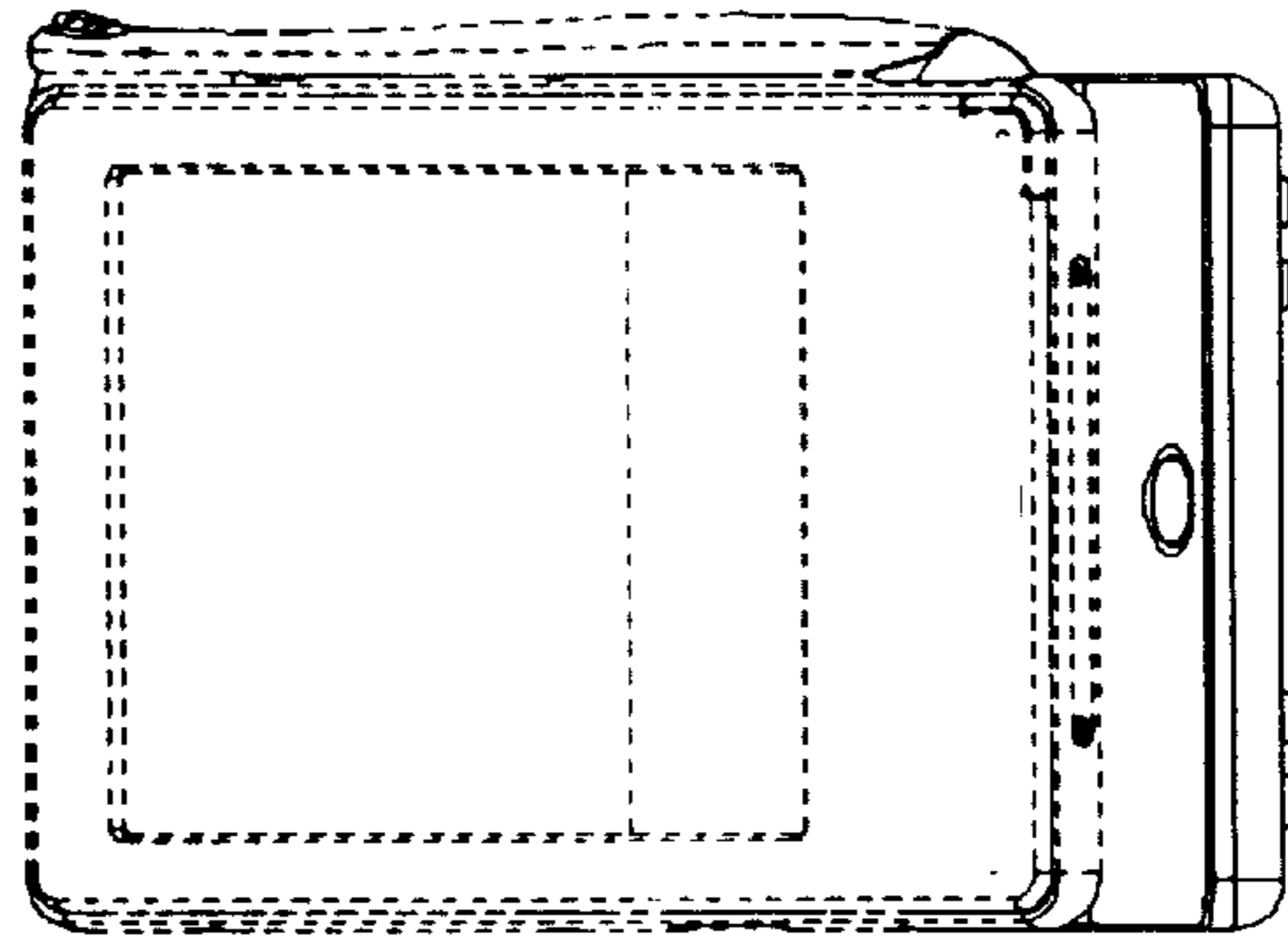


FIG. 6

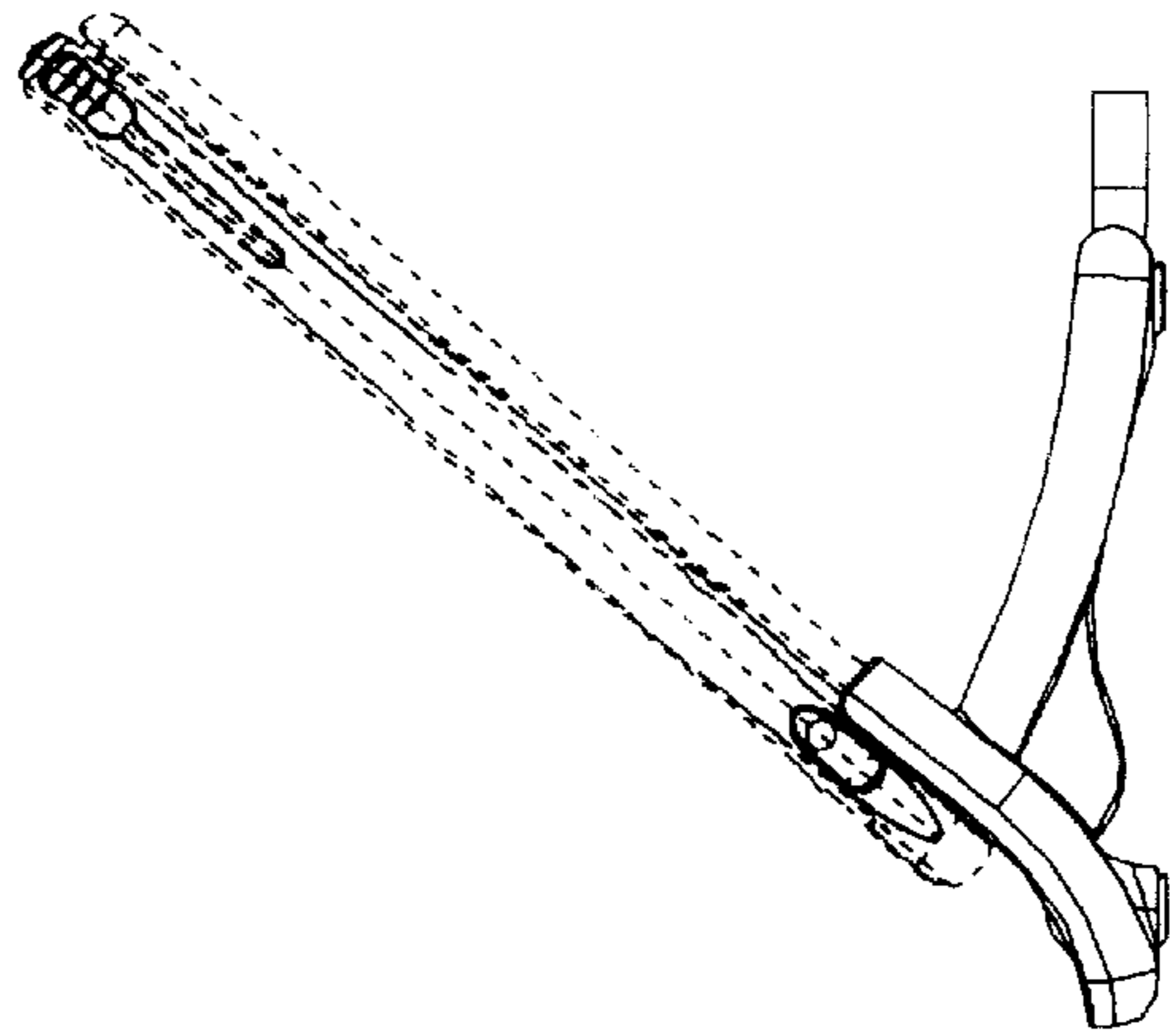


FIG. 7

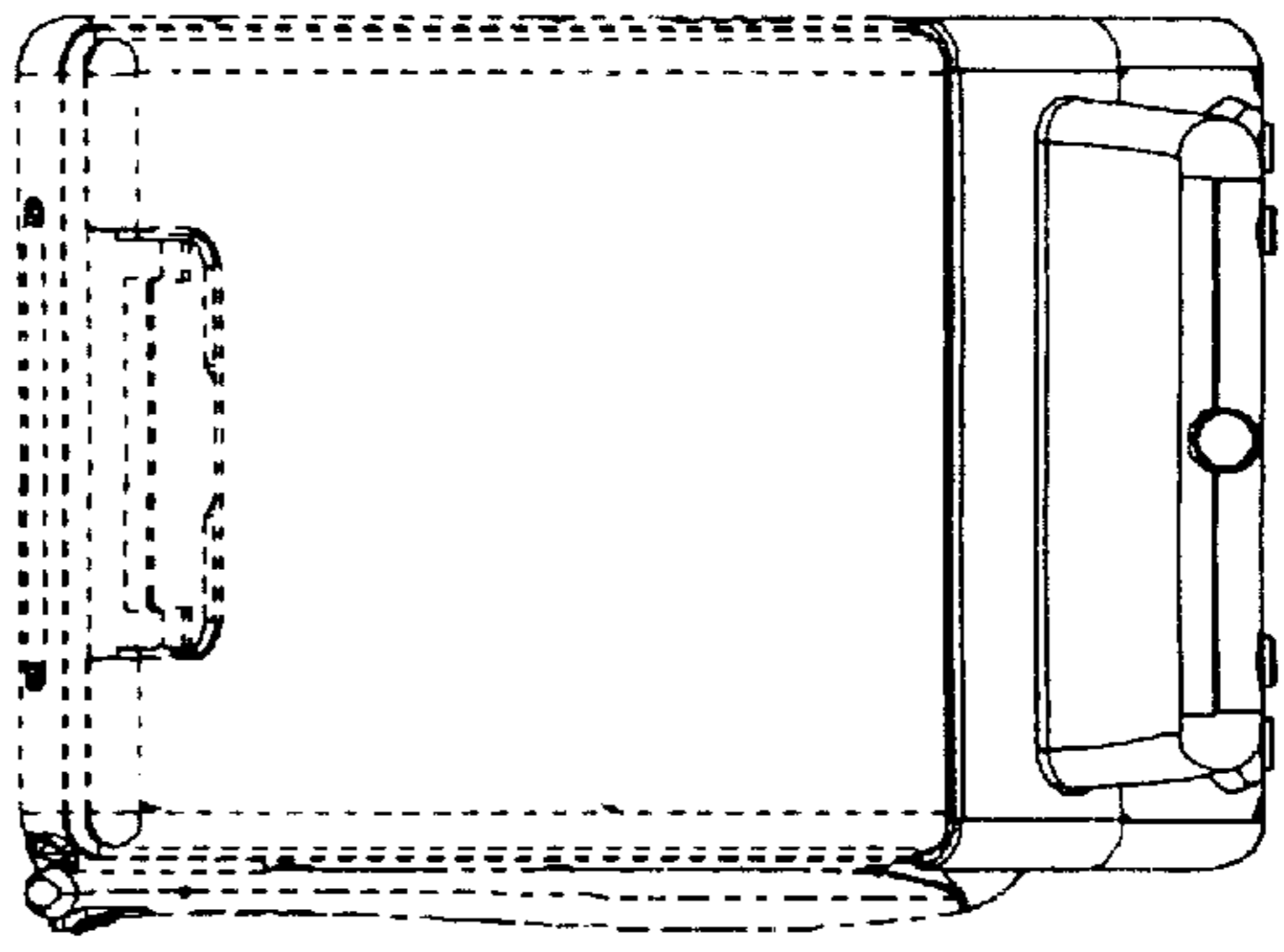


FIG. 8