



US00D457161S

(12) **United States Design Patent**
Groothuis et al.

(10) **Patent No.:** **US D457,161 S**

(45) **Date of Patent:** **** May 14, 2002**

(54) **LASER SCANNER**

5,801,834 A 9/1998 Danielson et al.

(75) Inventors: **David Scott Groothuis**, Aurora, NE (US); **Michael Thomas Hanchett**, Edmonds, WA (US)

(73) Assignee: **Chief Automotive Systems**, Grand Island, NE (US)

(**) Term: **14 Years**

(21) Appl. No.: **29/133,553**

(22) Filed: **Dec. 1, 2000**

(51) **LOC (7) Cl.** **14-02**

(52) **U.S. Cl.** **D14/426; D14/420**

(58) **Field of Search** D14/420-429, D14/453; 235/375, 378, 385, 454, 462.15, 472.02, 486; 382/312-315, 318, 319, 321; 250/203.1; D26/37, 45, 50

(56) **References Cited**

U.S. PATENT DOCUMENTS

- D281,977 S * 12/1985 Sklaroff D14/426
- D307,894 S * 5/1990 Siemiatkowski D14/426
- 4,997,283 A 3/1991 Danielson et al.
- D327,878 S * 7/1992 Fukutake et al. D14/420
- 5,251,013 A 10/1993 Danielson et al.

OTHER PUBLICATIONS

Color Photographs (4 on 1 page) of prior art scanner as shown in Chief Automotive Systems Brochure dated Jun. 1998, previously submitted.

Chief Automotive Systems Genesis brochure (6 pages in a 3-page trifold format) (Sep., 1996).

* cited by examiner

Primary Examiner—Kay H. Chin

(74) *Attorney, Agent, or Firm*—Hovey Williams LLP

(57) **CLAIM**

The ornamental design for a laser scanner, as shown and described.

DESCRIPTION

FIG. 1 is a front elevational view of a laser scanner in accordance with the present invention, the rear elevational view being a mere image thereof;

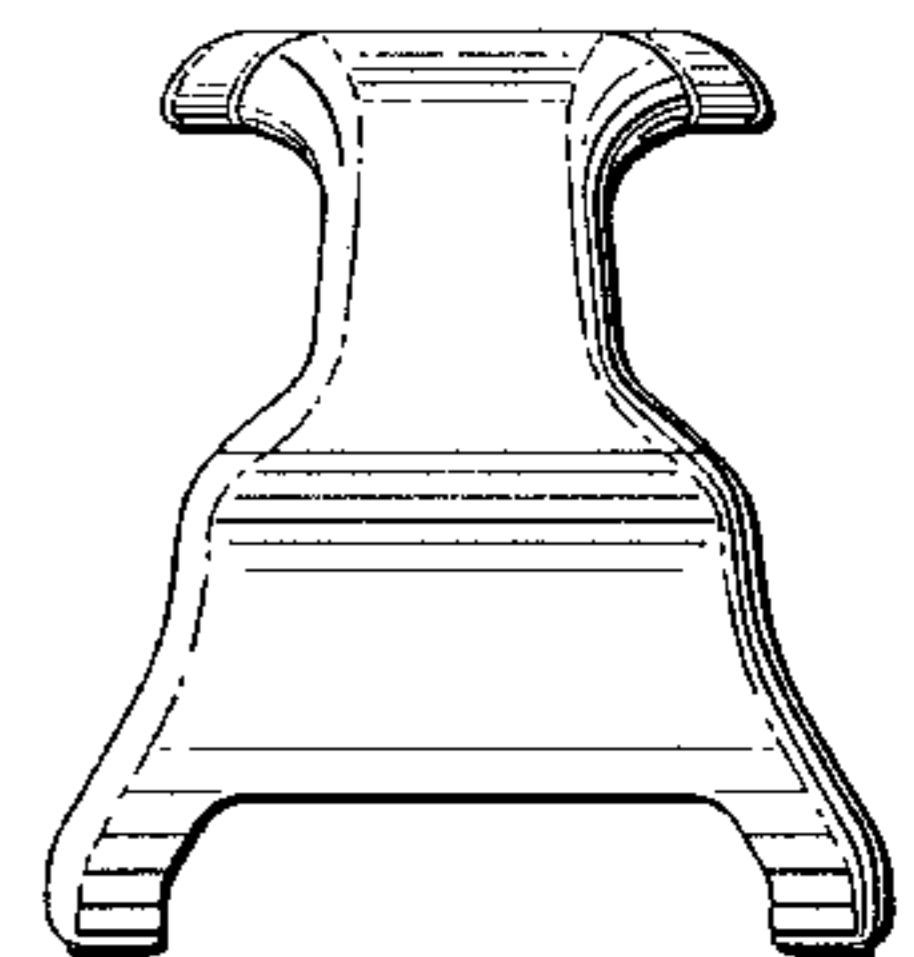
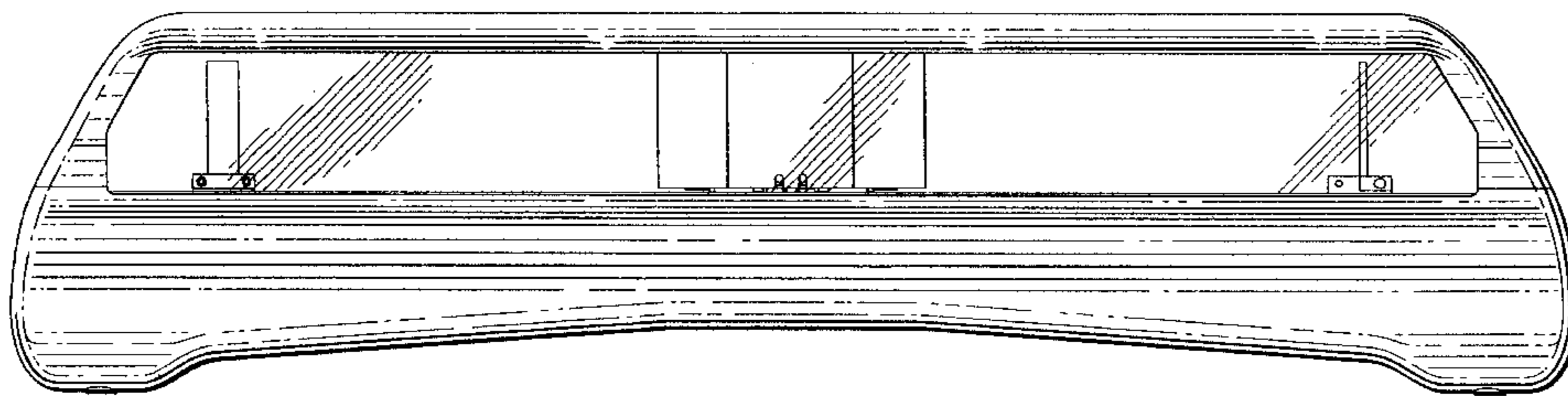
FIG. 2 is a top plan view thereof;

FIG. 3 is a right side elevational view thereof;

FIG. 4 is a left side elevational view thereof; and,

FIG. 5 is a bottom plan view thereof.

1 Claim, 2 Drawing Sheets



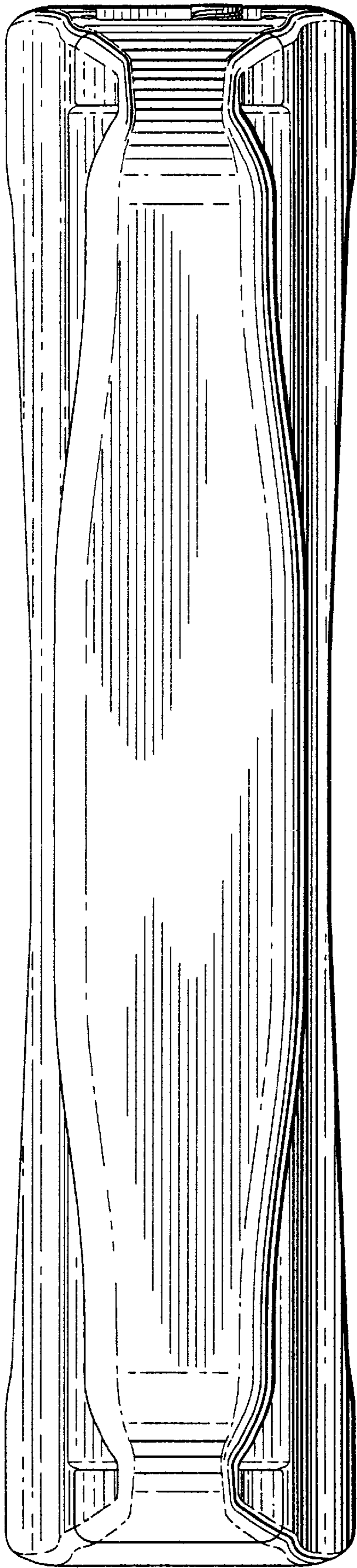


FIG. 2.

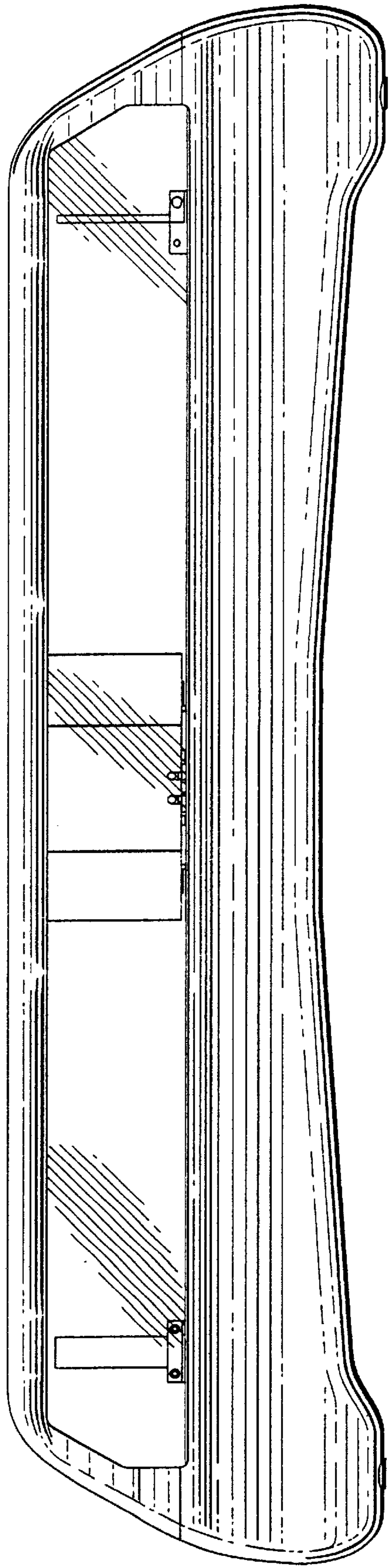


FIG. 1.

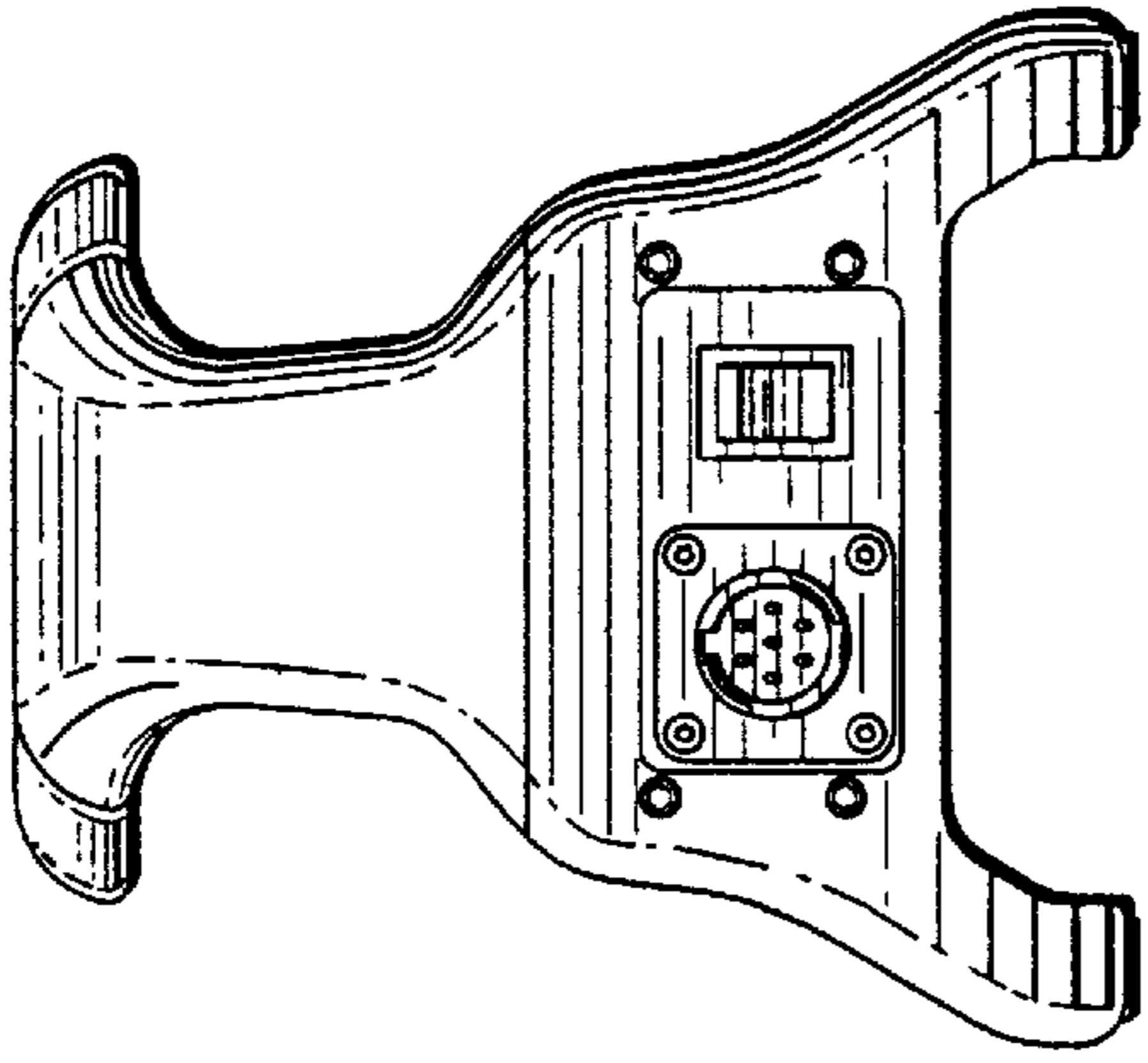


FIG. 3.

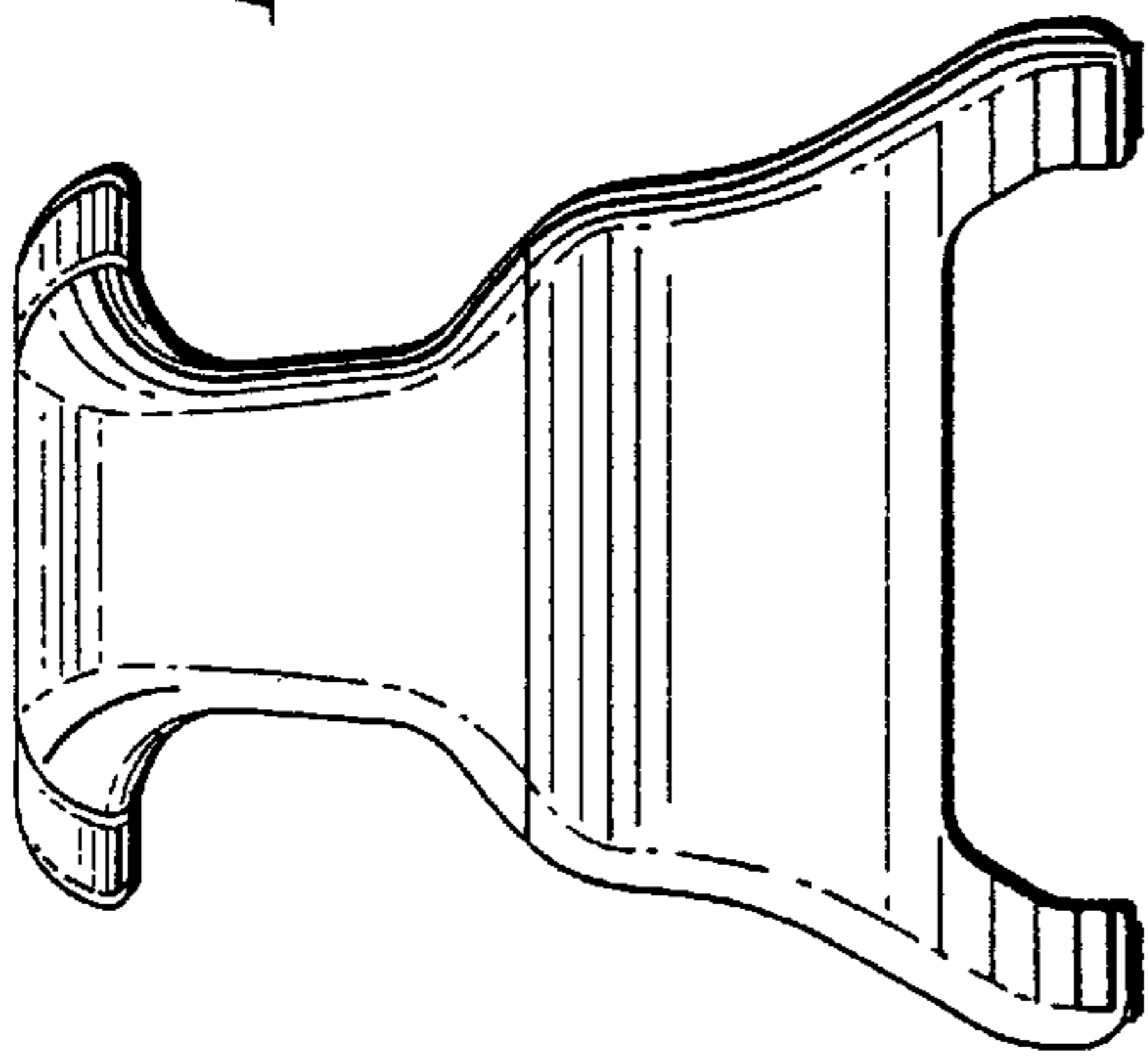


FIG. 4.

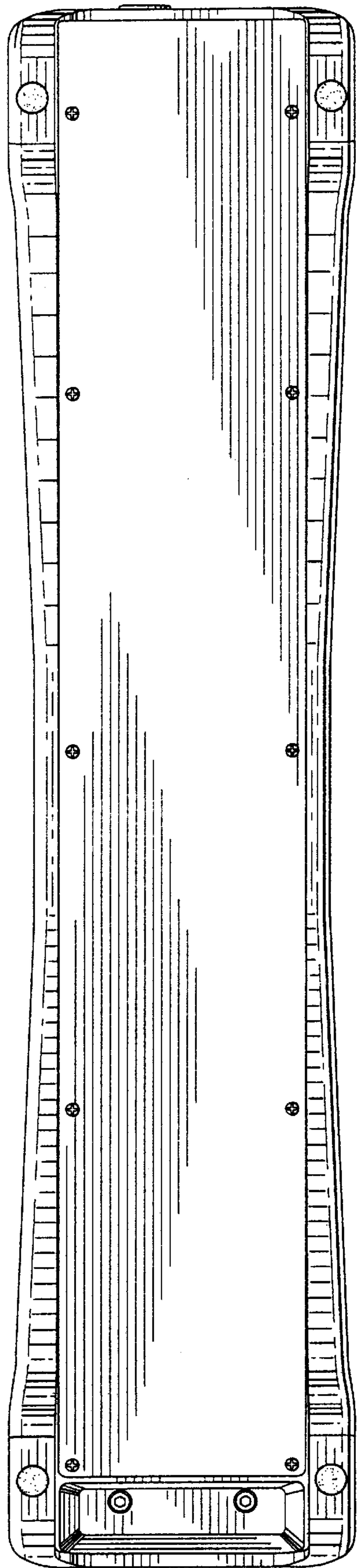


FIG. 5.