



US00D457159S

(12) **United States Design Patent**
Goto

(10) **Patent No.:** **US D457,159 S**

(45) **Date of Patent:** **** May 14, 2002**

(54) **DISPLAY FOR ARITHMETIC AND CONTROL UNIT**

(75) Inventor: **Teiyu Goto**, Tokyo (JP)

(73) Assignee: **Sony Corporation**, Tokyo (JP)

(**) Term: **14 Years**

(21) Appl. No.: **29/146,028**

(22) Filed: **Aug. 3, 2001**

(30) **Foreign Application Priority Data**

May 14, 2001 (JP) 2001-017603

(51) **LOC (7) Cl.** **14-02**

(52) **U.S. Cl.** **D14/371**

(58) **Field of Search** D14/336, 337, D14/371, 135, 125-129; D21/324, 332, 333; 341/12; 345/104, 133, 156, 168, 173, 87; 348/180, 184, 325, 739; 349/1, 2, 11, 62

(56) **References Cited**

U.S. PATENT DOCUMENTS

D224,233 S * 7/1972 Fujita D14/371
D331,747 S * 12/1992 Takahashi D14/336

D364,648 S * 11/1995 Osterhout D21/324
D367,895 S * 3/1996 Goto D21/332
D398,659 S * 9/1998 Yokoi D21/333
D408,395 S * 4/1999 Sakamoto et al. D14/136
D408,408 S * 4/1999 Ito et al. D14/156

* cited by examiner

Primary Examiner—Freda Nunn

(74) *Attorney, Agent, or Firm*—Rader, Fishman & Grauer, PLLC

(57) **CLAIM**

The ornamental design for a display for arithmetic and control unit, as shown and described.

DESCRIPTION

FIG. 1 is a front elevational view of a display for arithmetic and control unit showing my new design; FIG. 2 is a rear elevational view thereof; FIG. 3 is a left side elevational view thereof, a right side elevational view thereof being a mirror image; FIG. 4 is a top plan view thereof; and, FIG. 5 is a bottom plan view thereof.

The broken lines are shown in the views for illustrative purposes only and form no part of the claimed design.

1 Claim, 2 Drawing Sheets

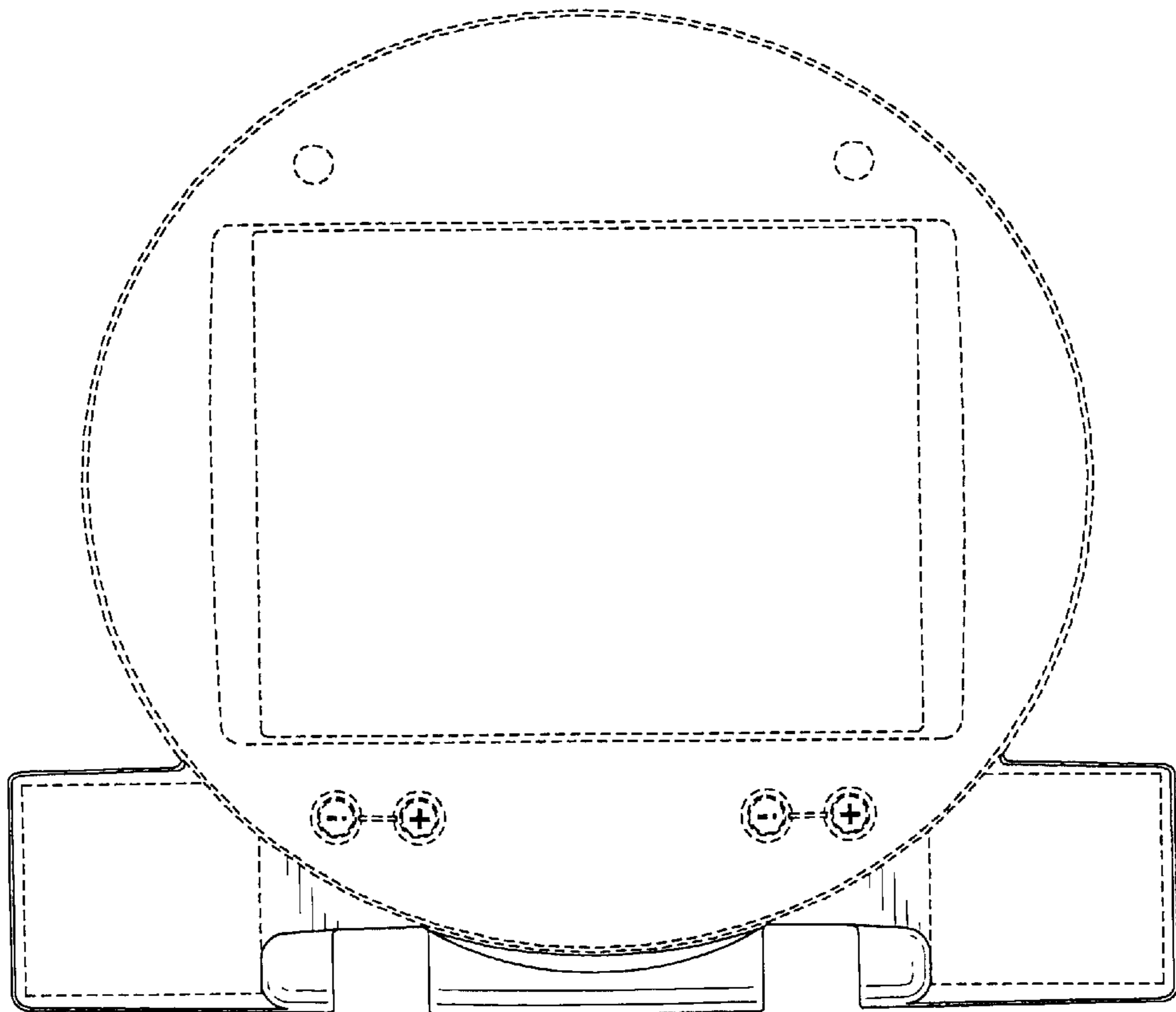


FIG. 1

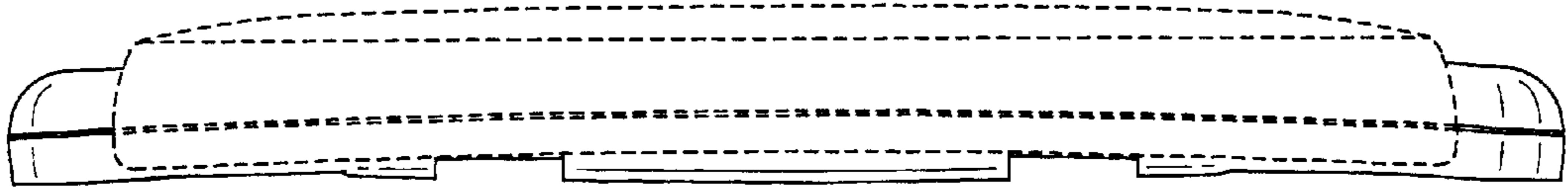


FIG. 2

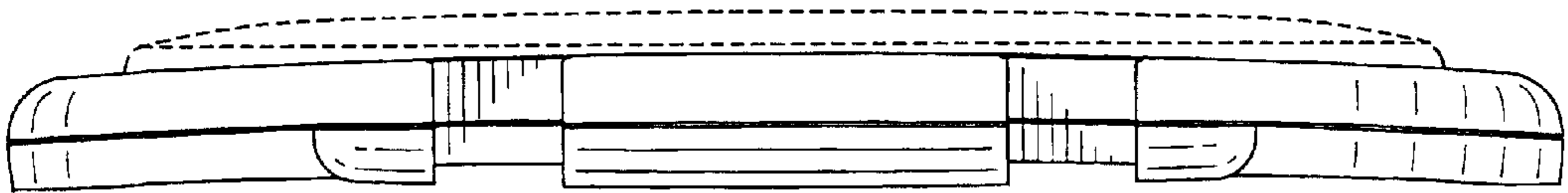


FIG. 3

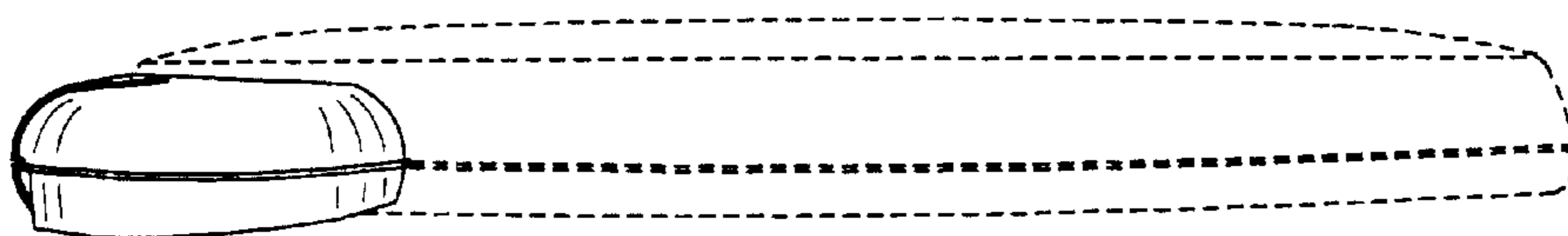


FIG. 4

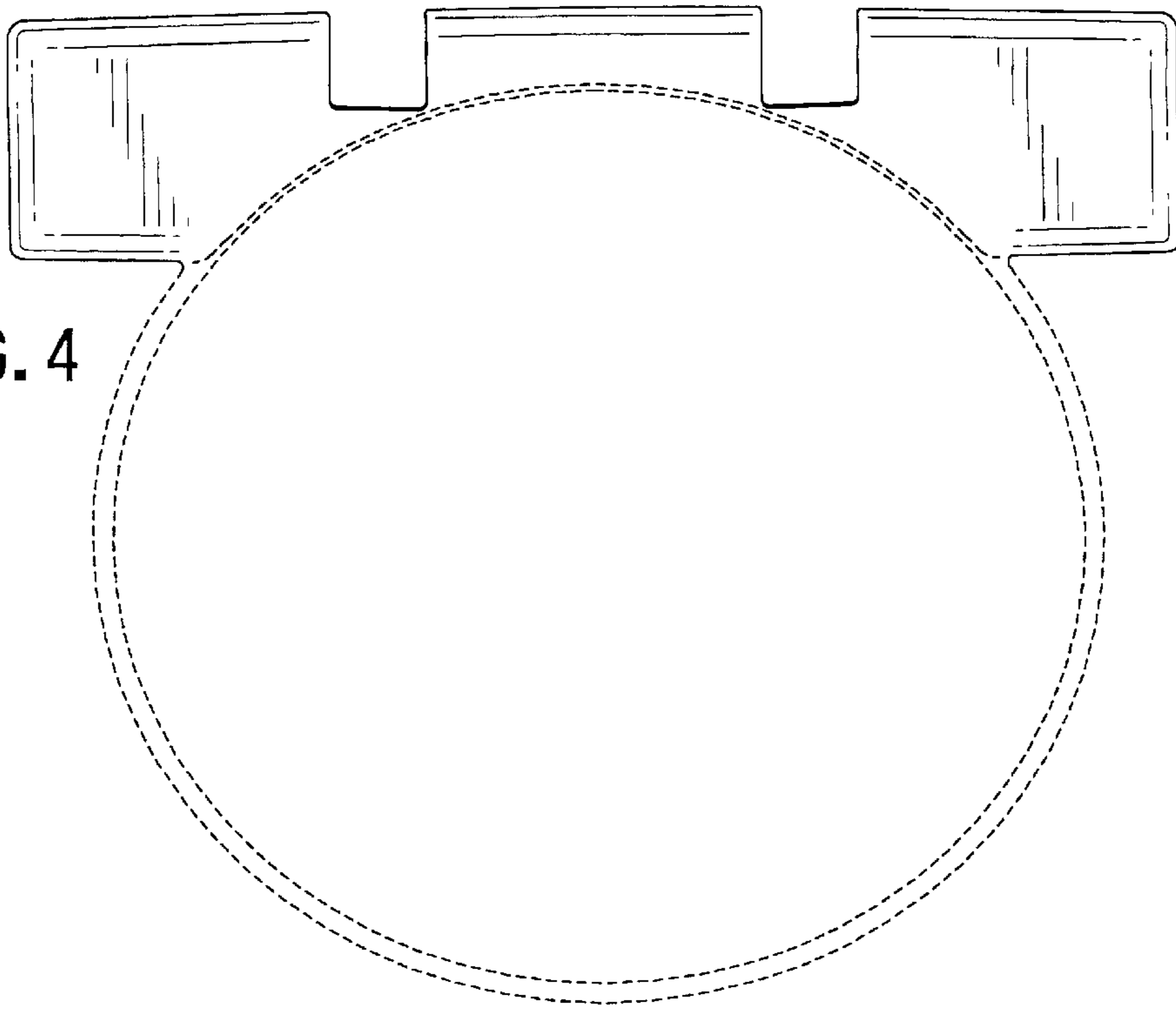
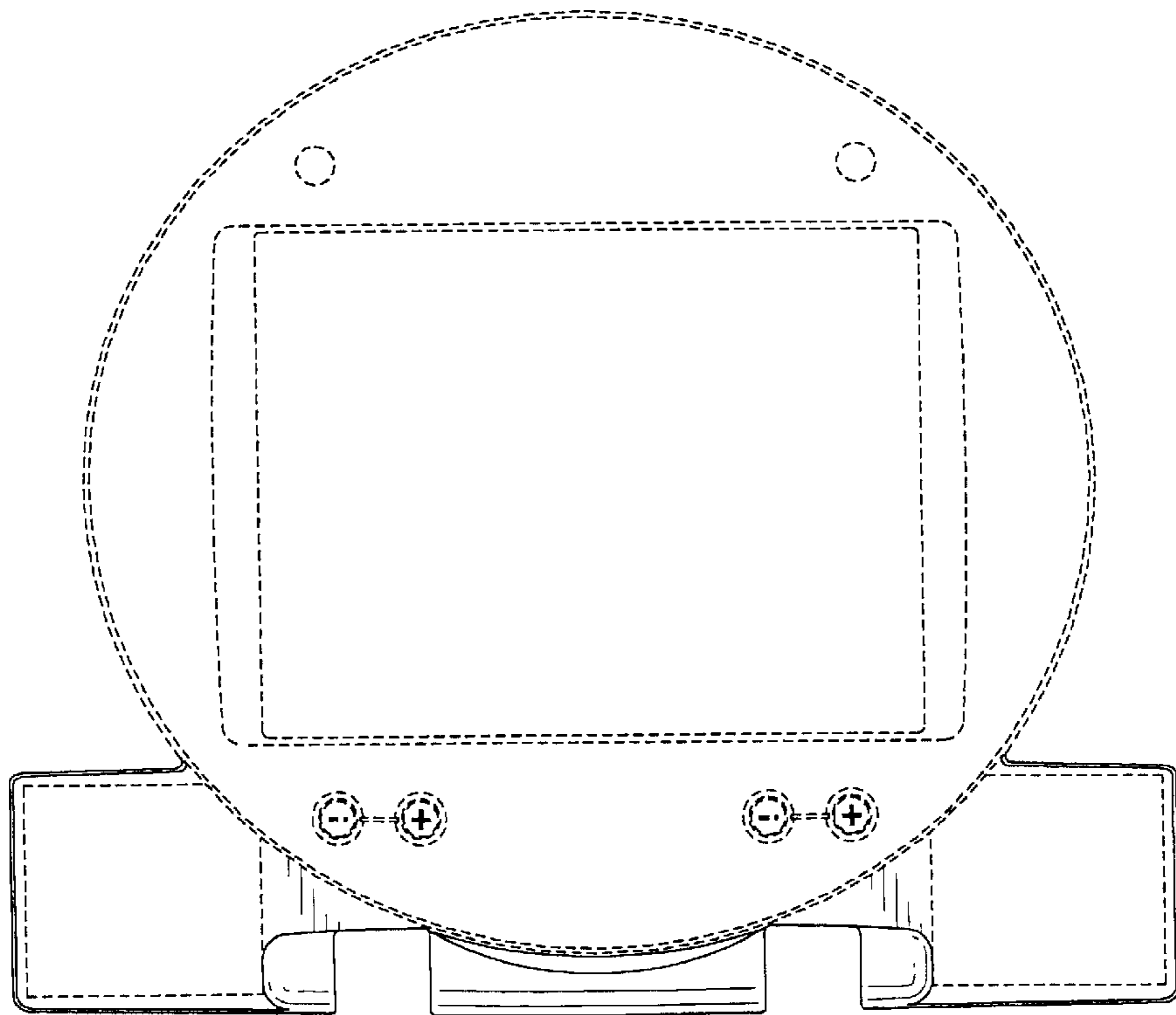


FIG. 5



UNITED STATES PATENT AND TRADEMARK OFFICE
CERTIFICATE OF CORRECTION

PATENT NO. : Des. 457,159 S
DATED : May 14, 2002
INVENTOR(S) : Teiyu Goto

Page 1 of 1

It is certified that error appears in the above-identified patent and that said Letters Patent is hereby corrected as shown below:

Title page,

Item [73], Assignee, the Assignee should read -- **Sony Computer Entertainment Inc.,**
Tokyo (JP) --

Signed and Sealed this

Twenty-seventh Day of May, 2003

A handwritten signature in black ink, appearing to read "James E. Rogan", written over a horizontal line.

JAMES E. ROGAN
Director of the United States Patent and Trademark Office