



US00D457155S

(12) **United States Design Patent**  
**Skulley et al.**

(10) **Patent No.:** **US D457,155 S**

(45) **Date of Patent:** **\*\* May 14, 2002**

(54) **COMMUNICATION HEADSET**

(75) Inventors: **Gerald W. Skulley**, Aptos, CA (US);  
**Christopher S. Labak; Christopher B. Houghton**, both of Chicago, IL (US);  
**Fred Polito**, Santa Cruz, CA (US)

(73) Assignee: **Plantronics, Inc.**, Santa Cruz, CA (US)

(\*\*) Term: **14 Years**

(21) Appl. No.: **29/138,821**

(22) Filed: **Mar. 19, 2001**

(51) **LOC (7) Cl.** ..... **14-01**

(52) **U.S. Cl.** ..... **D14/206**

(58) **Field of Search** ..... D14/188, 192,  
D14/205-206, 223; 181/129-130; 379/430,  
433; 381/370, 376-381

(56) **References Cited**

**U.S. PATENT DOCUMENTS**

D344,730 S \* 3/1994 Gattey et al. .... D14/206  
5,469,505 A \* 11/1995 Gattey et al. .... 379/430

D377,020 S \* 12/1996 Bungardt et al. .... D14/205  
D394,437 S \* 5/1998 Landreth et al. .... D14/206  
5,793,878 A \* 8/1998 Chang ..... 381/370  
D410,921 S \* 6/1999 Luchs et al. .... D14/206 X

\* cited by examiner

*Primary Examiner*—Nanda Bondade

(74) *Attorney, Agent, or Firm*—Fenwick & West LLP

(57) **CLAIM**

The ornamental design for a communication headset, as shown and described.

**DESCRIPTION**

FIG. 1 is a front, top, right perspective view of a headband set showing our new design.

FIG. 2 is a front elevational view of the headband headset.

FIG. 3 is a rear elevational view of the headband headset.

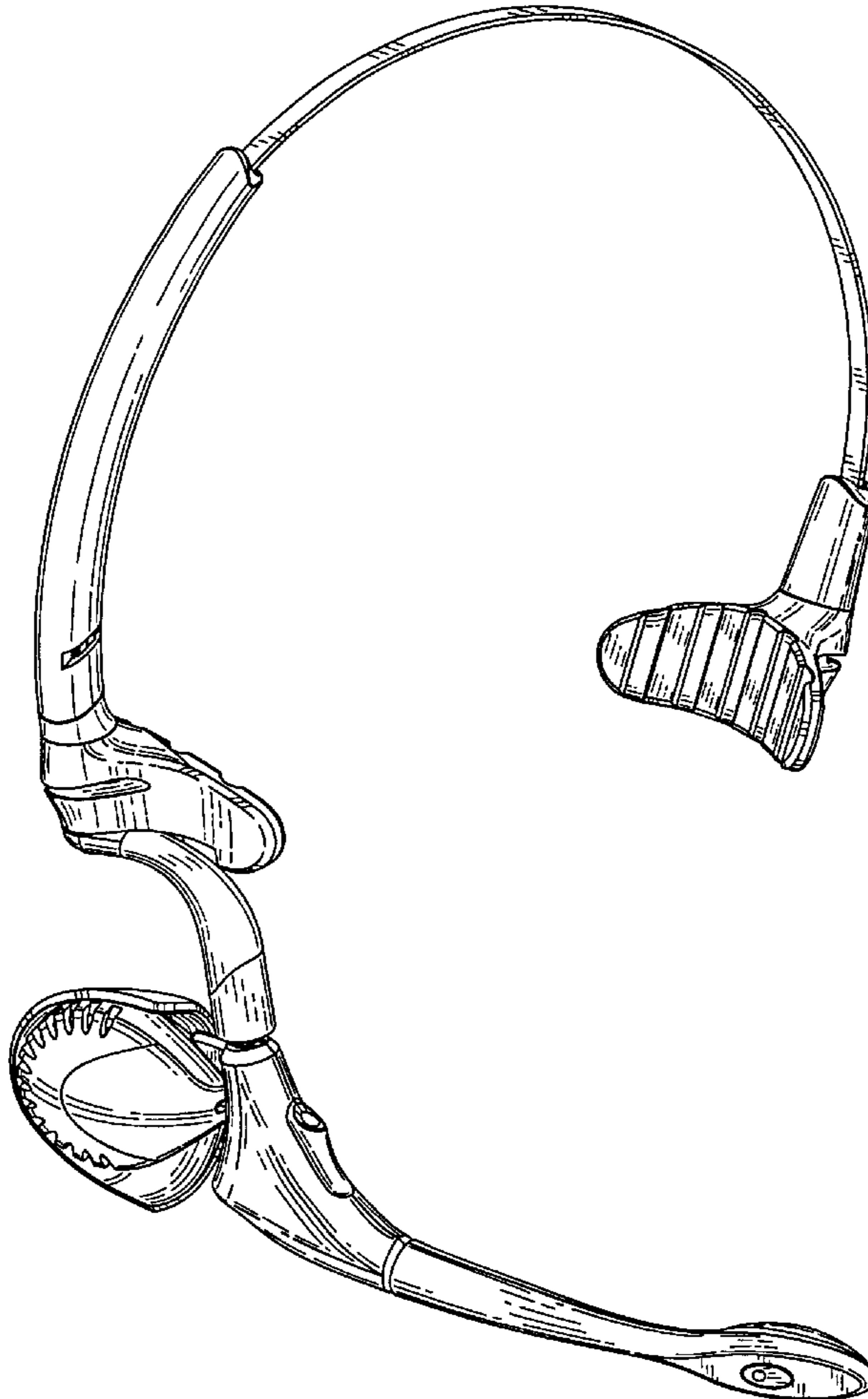
FIG. 4 is a right elevational view of the headband headset.

FIG. 5 is a left elevational view of the headband headset.

FIG. 6 is a top plan view of the headband headset; and,

FIG. 7 is a bottom plan view of the headband headset.

**1 Claim, 4 Drawing Sheets**



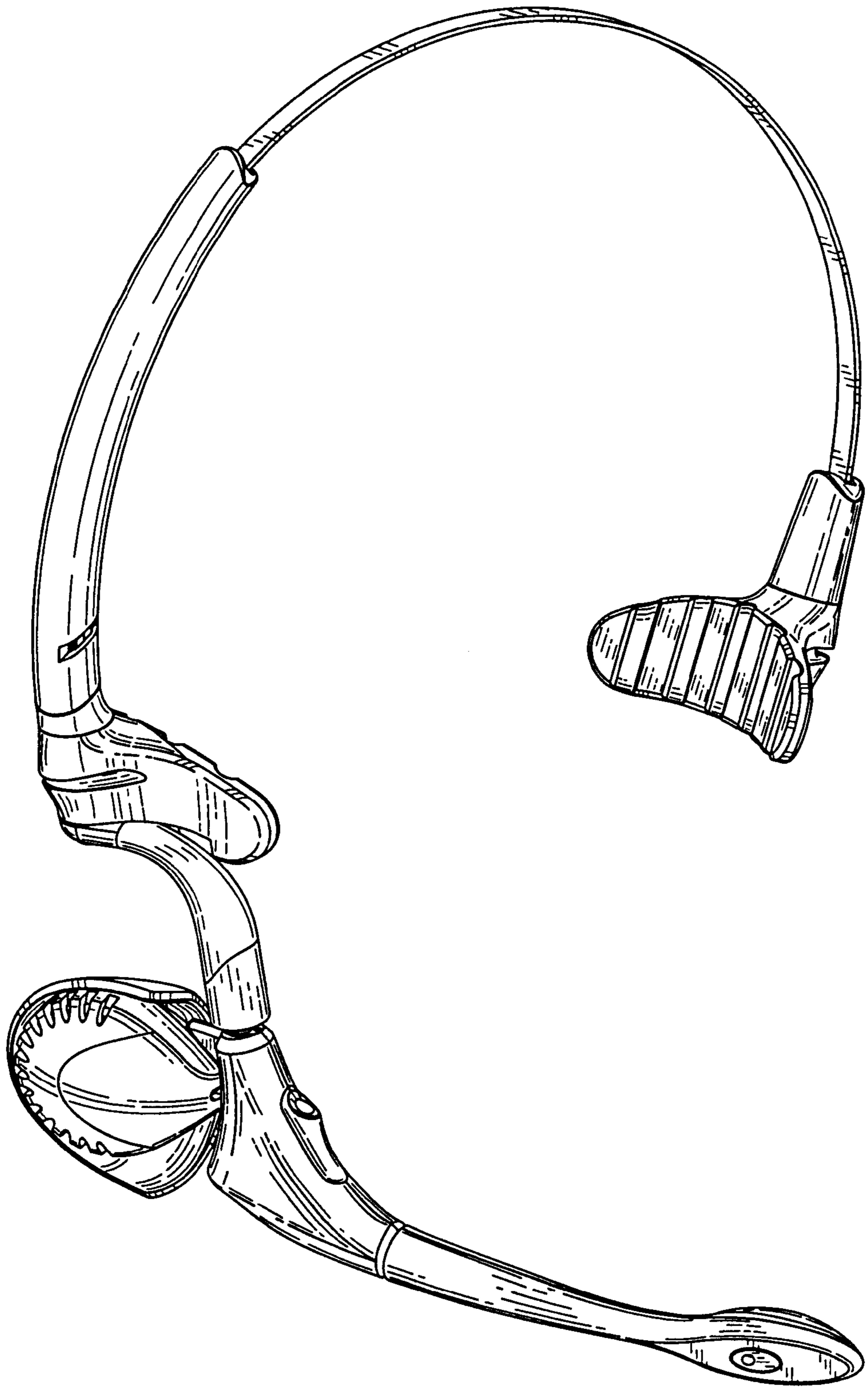


FIG. 1

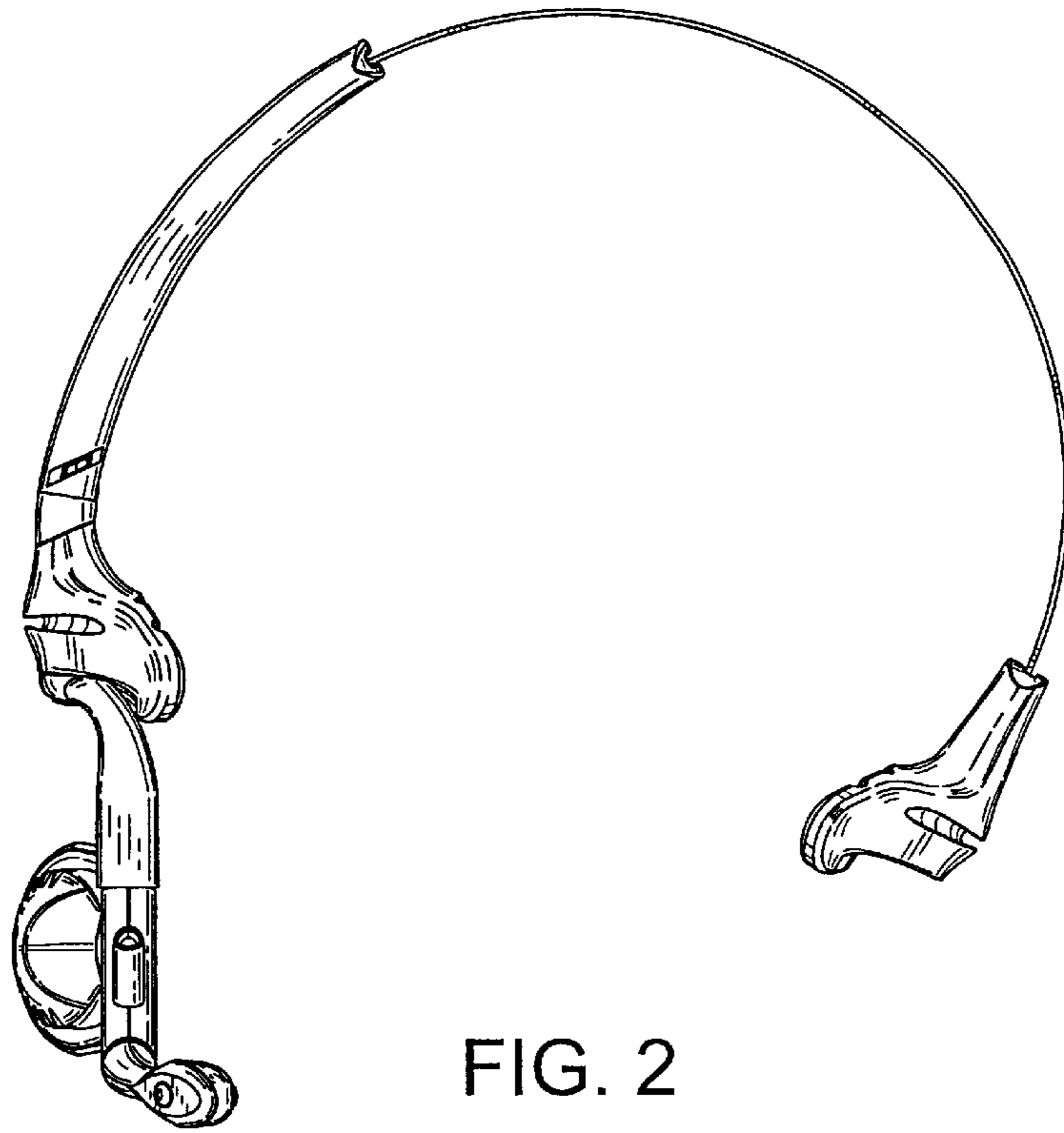


FIG. 2

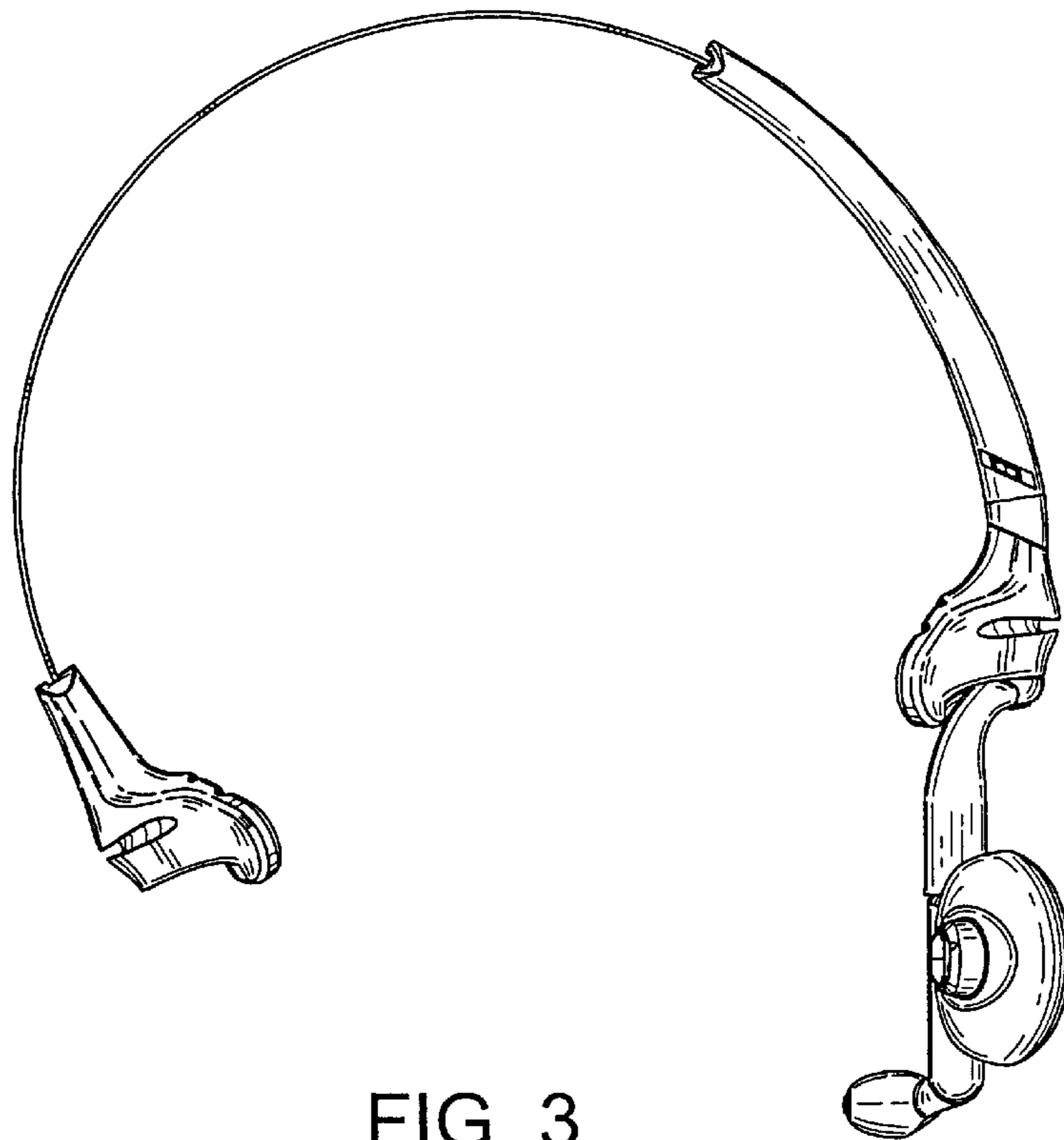
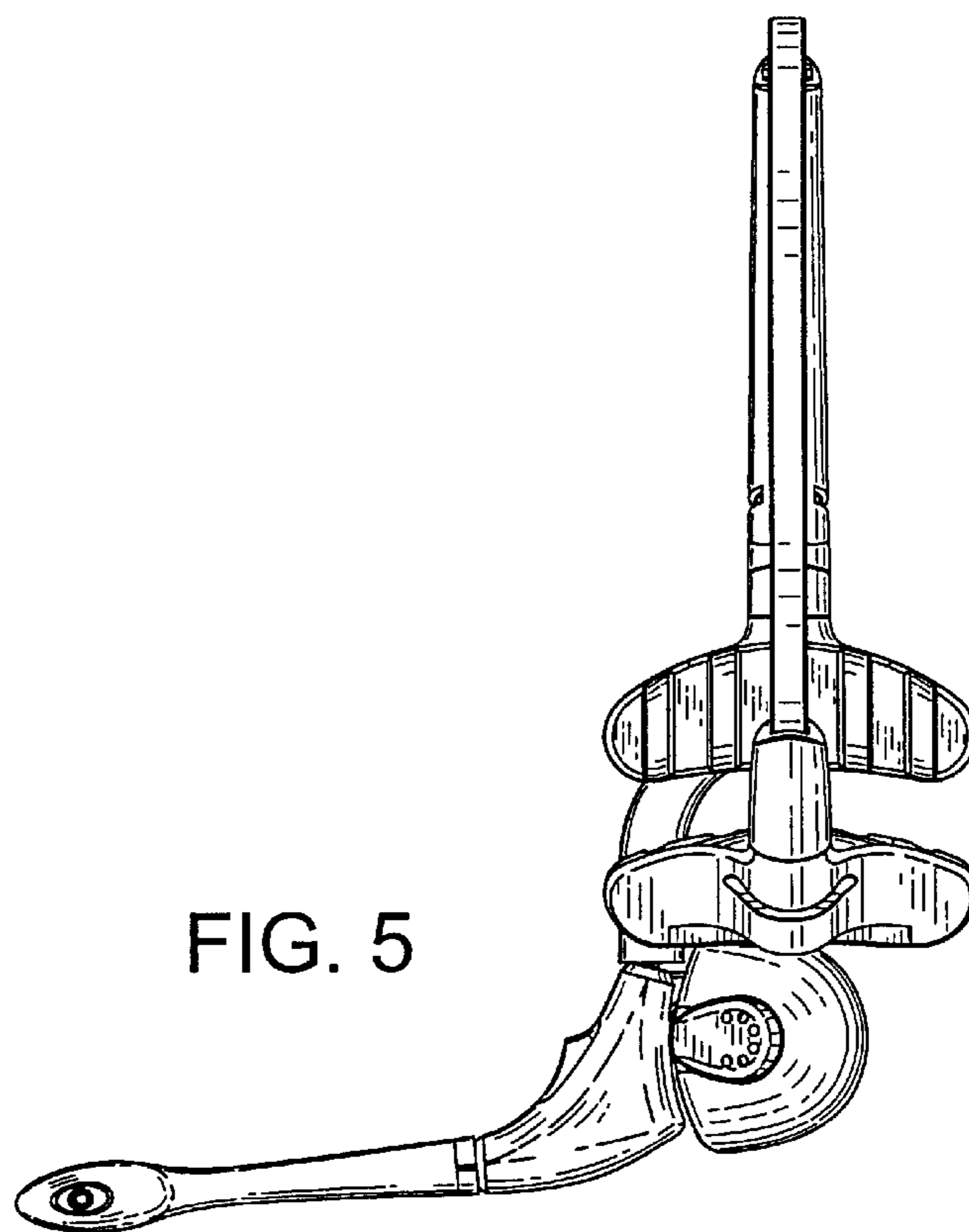
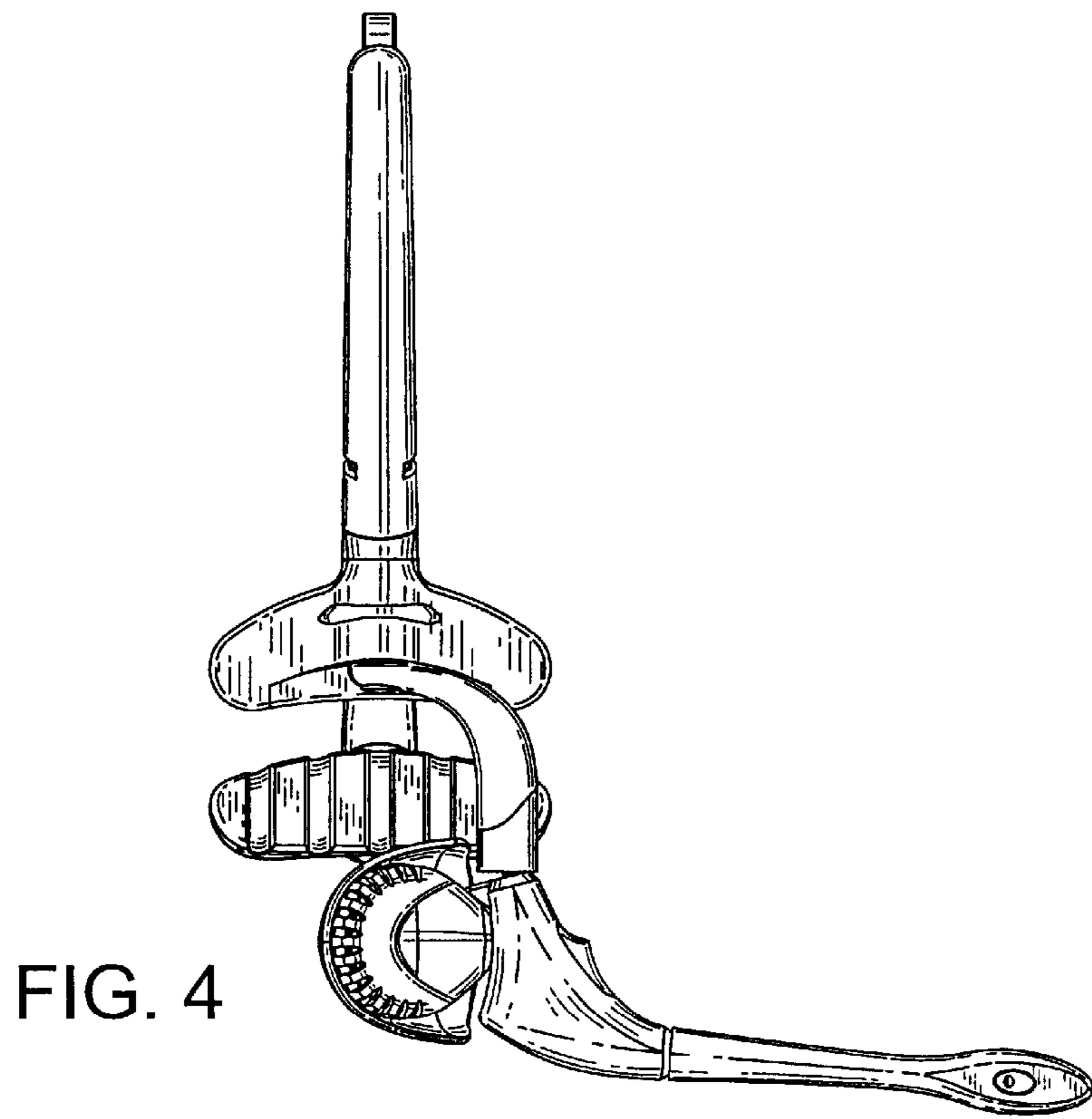


FIG. 3



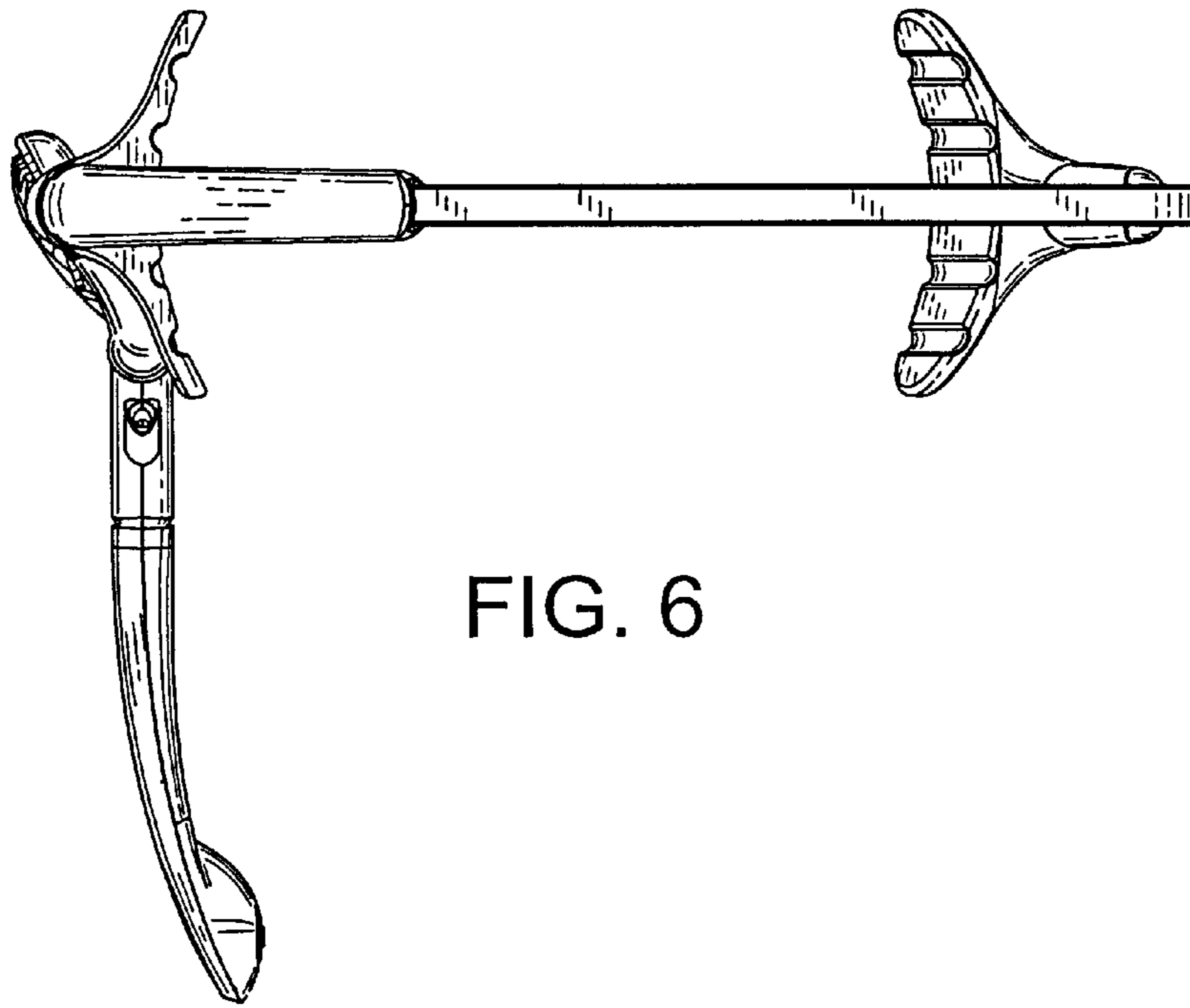


FIG. 6

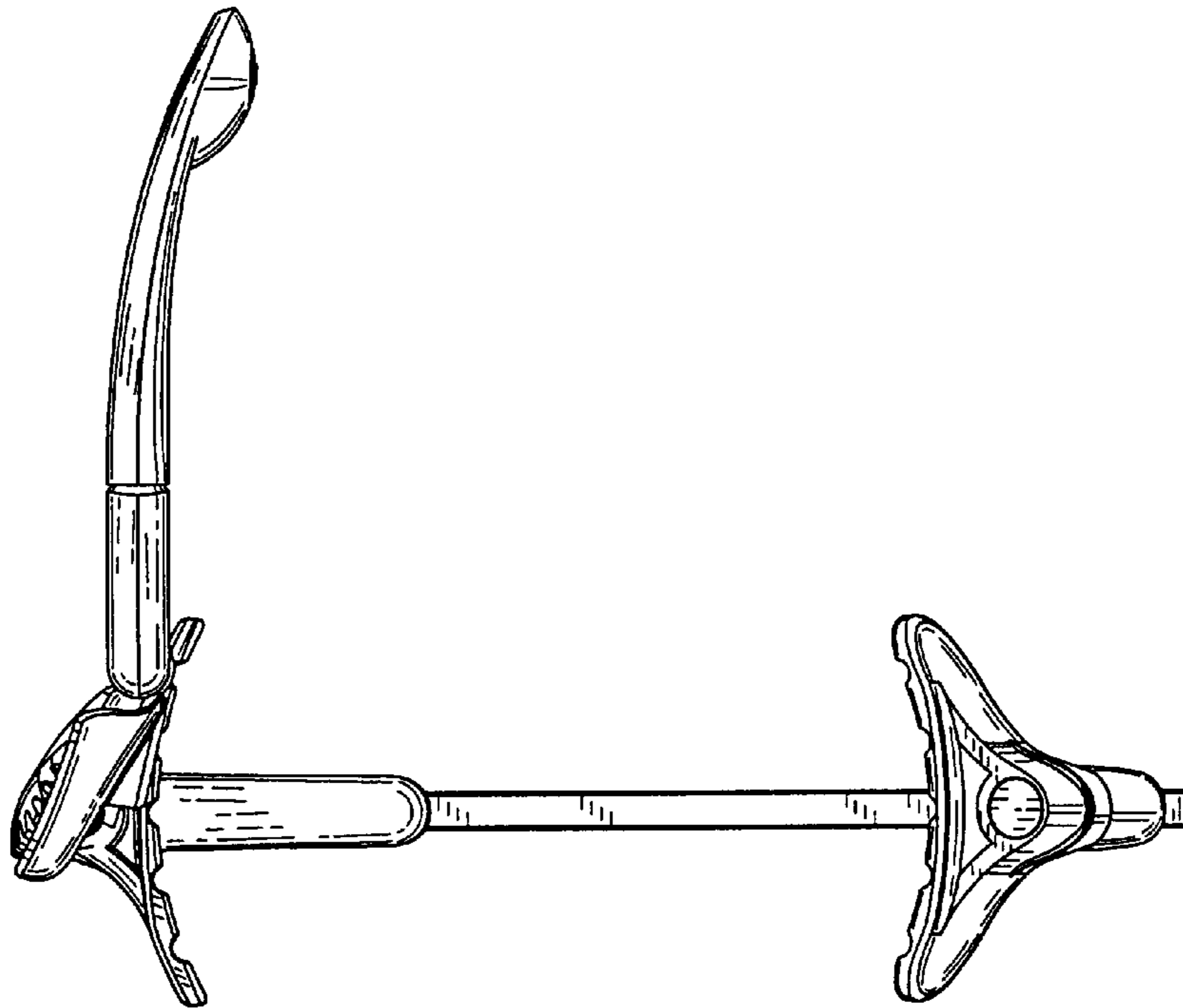


FIG. 7