



US00D457153S

(12) **United States Design Patent**  
**Allen**

(10) **Patent No.:** **US D457,153 S**

(45) **Date of Patent:** **\*\* May 14, 2002**

(54) **LIFESTYLE STEREO SYSTEM**

(75) Inventor: **Graham Allen**, Alderley Edge (GB)

(73) Assignee: **KEF Audio (UK) Limited**, Maidstone (GB)

(\*\*) Term: **14 Years**

(21) Appl. No.: **29/144,057**

(22) Filed: **Jun. 25, 2001**

(51) **LOC (7) Cl.** ..... **14-01**

(52) **U.S. Cl.** ..... **D14/168**

(58) **Field of Search** ..... D14/154, 160-172,  
D14/188-198, 257, 265, 299, 215-217;  
455/344, 347-351; 312/7.1

(56) **References Cited**

**U.S. PATENT DOCUMENTS**

- D331,238 S \* 11/1992 Lewis ..... D14/168
- 5,675,557 A \* 10/1997 Hubinger ..... D14/168 X
- 5,979,175 A \* 11/1999 Ellison ..... 455/351
- D432,519 S \* 10/2000 Yamoka et al. .... D14/188

\* cited by examiner

*Primary Examiner*—Prabhakar Deshmukh  
(74) *Attorney, Agent, or Firm*—Kenneth L. Sherman;  
Sherman & Sherman

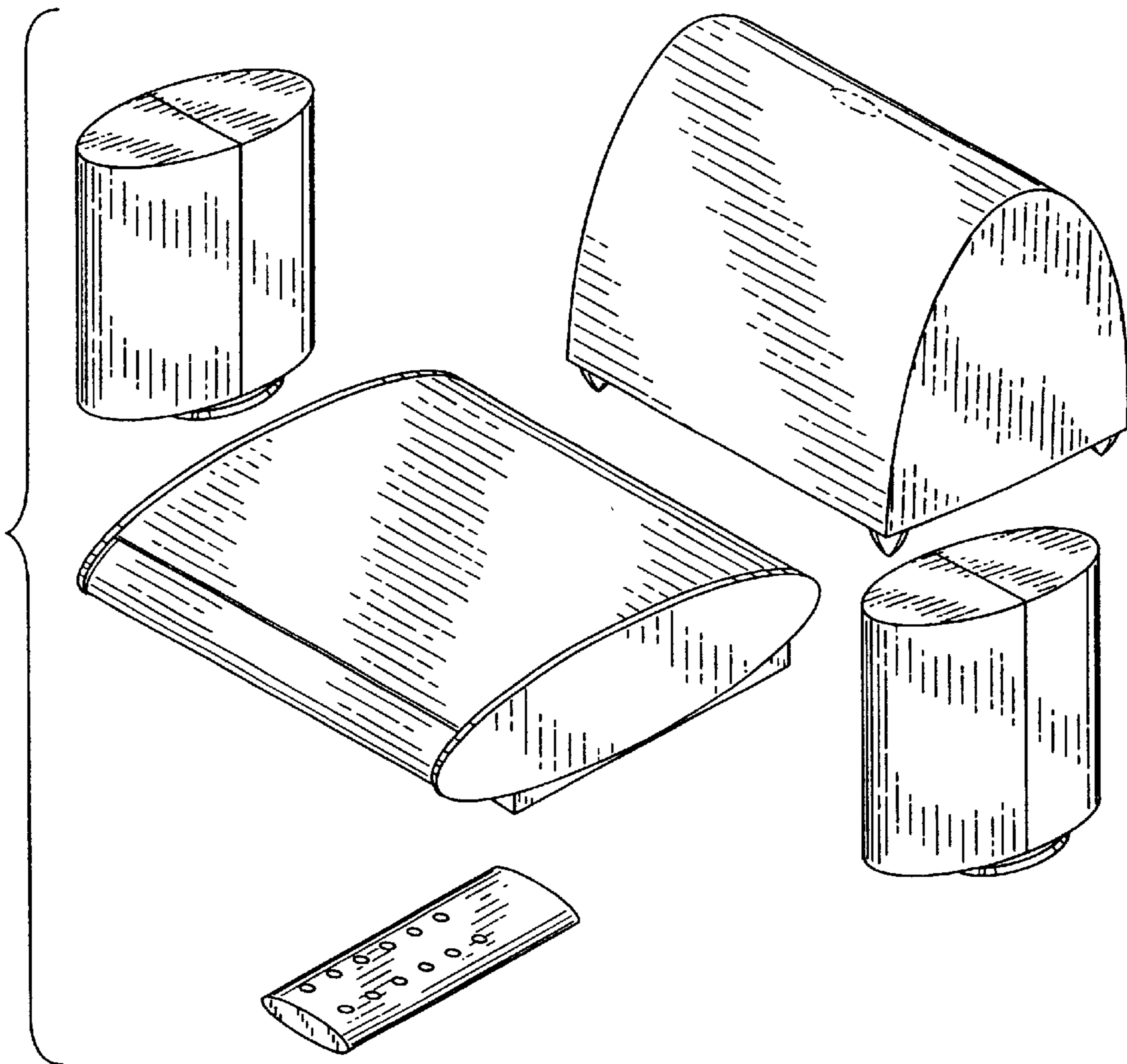
(57) **CLAIM**

I claim the ornamental design for a lifestyle stereo system, substantially as shown and described.

**DESCRIPTION**

FIG. 1 is a front elevational perspective view of the lifestyle stereo system of the present invention; and  
 FIG. 2 is a front view of the invention from back to side;  
 FIG. 3 is a rear view of the invention from the first and second side;  
 FIG. 4 is a first side view of the invention from a top end;  
 FIG. 5 is a second side view of the invention from a bottom end;  
 FIG. 6 is a top down view of the invention; and,  
 FIG. 7 is a bottom up view of the invention.  
 The broken lines are for illustrative purposes only and forms no part of the claimed design.

**1 Claim, 5 Drawing Sheets**



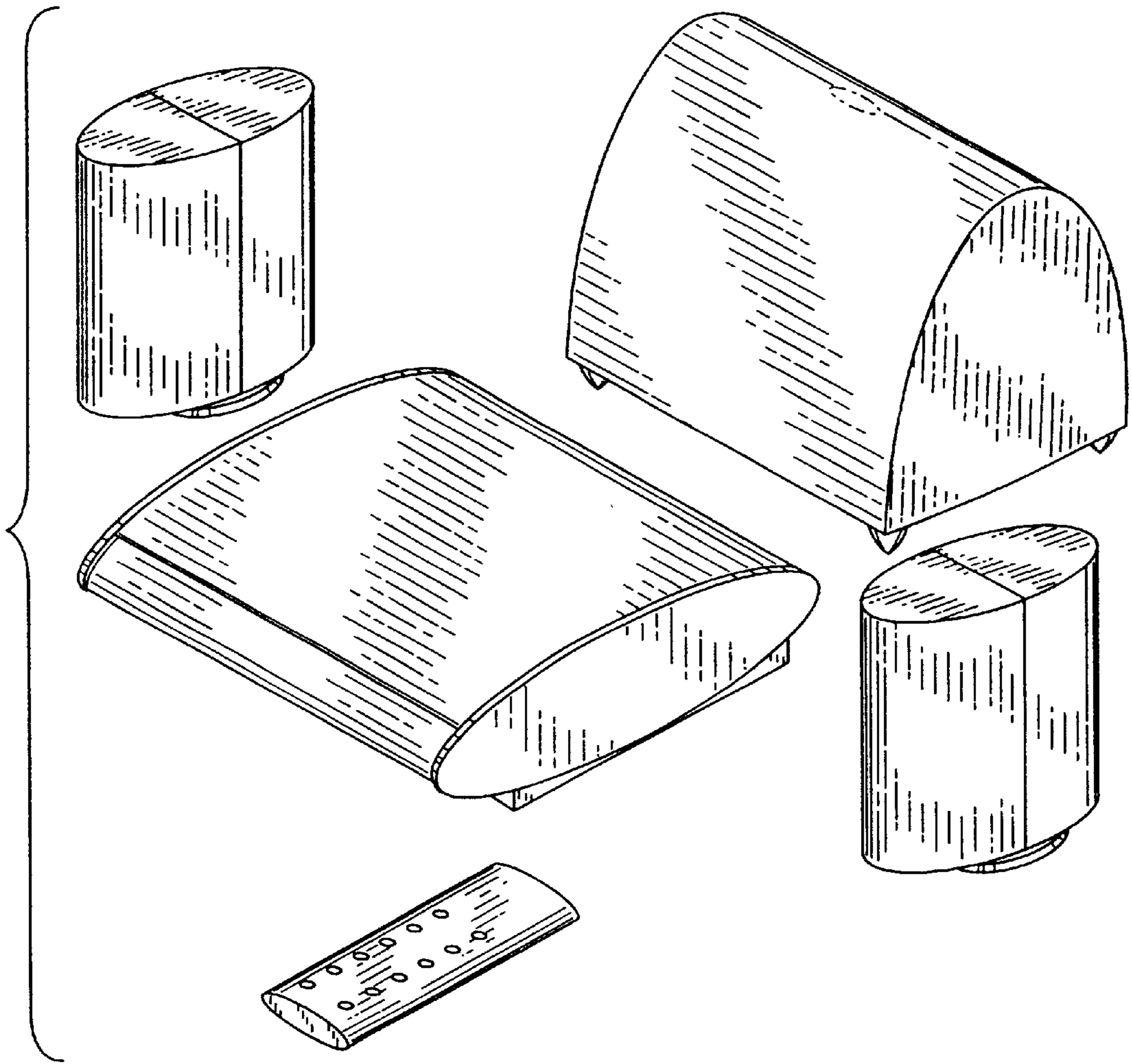


FIG. 1

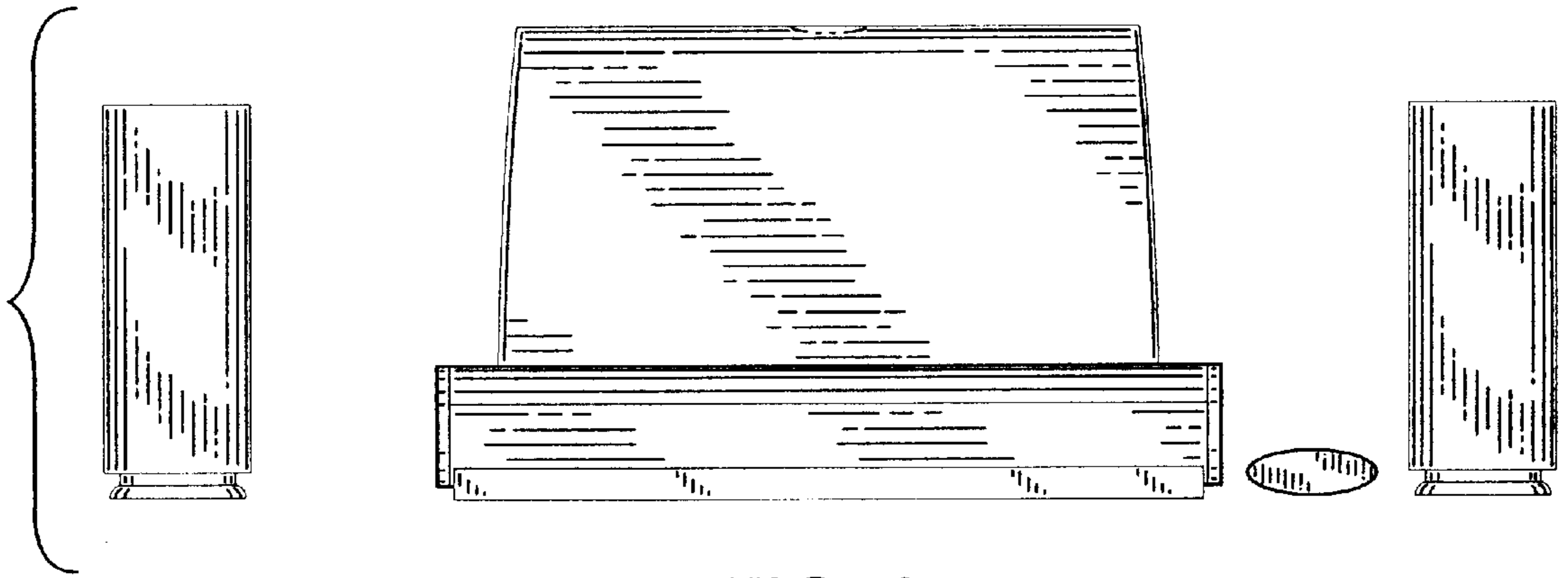


FIG. 2

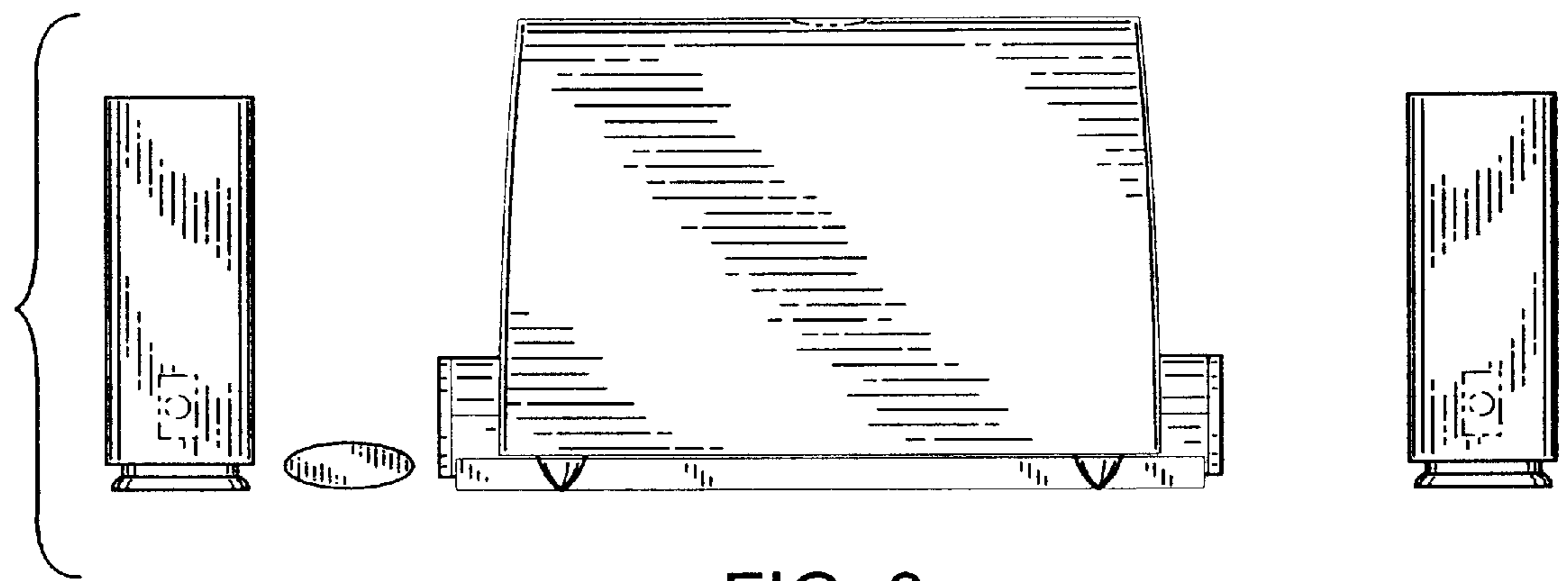


FIG. 3

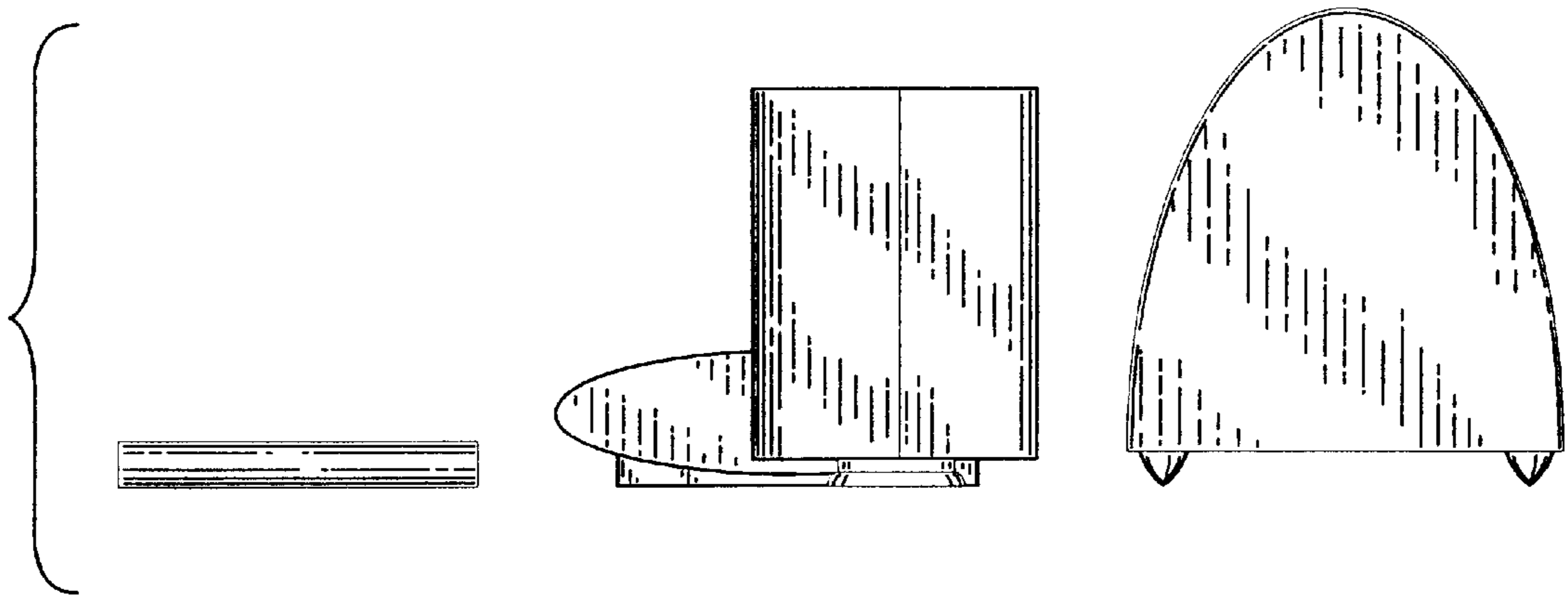


FIG. 4

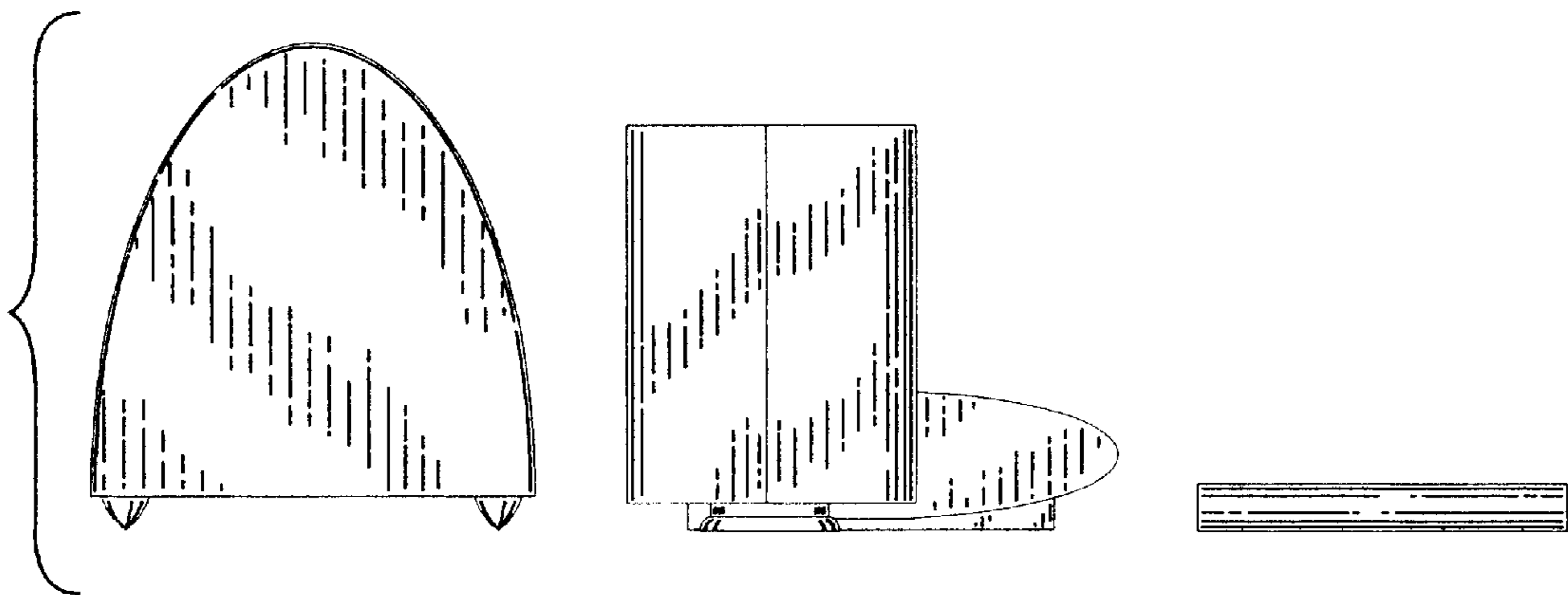


FIG. 5

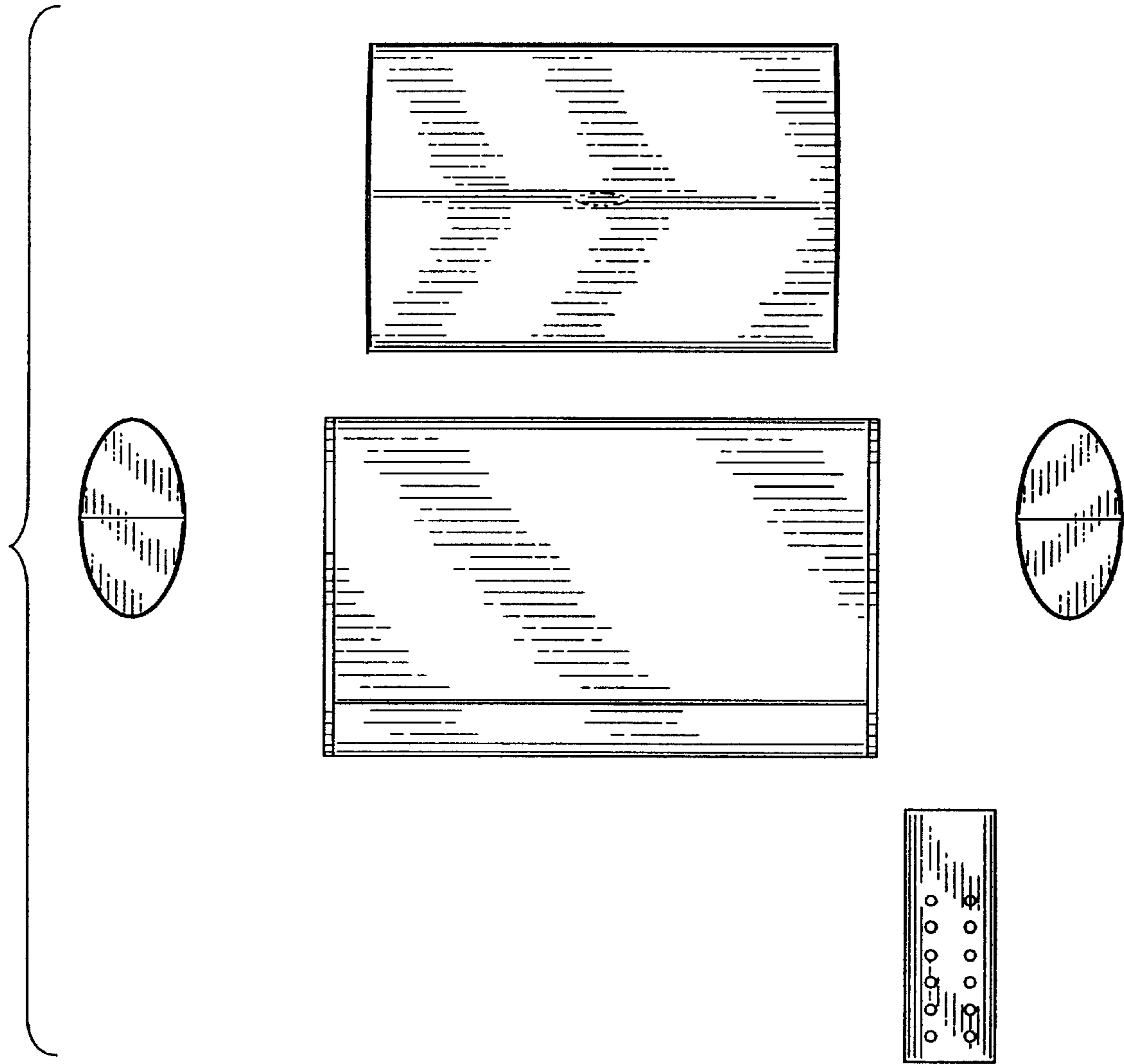


FIG. 6

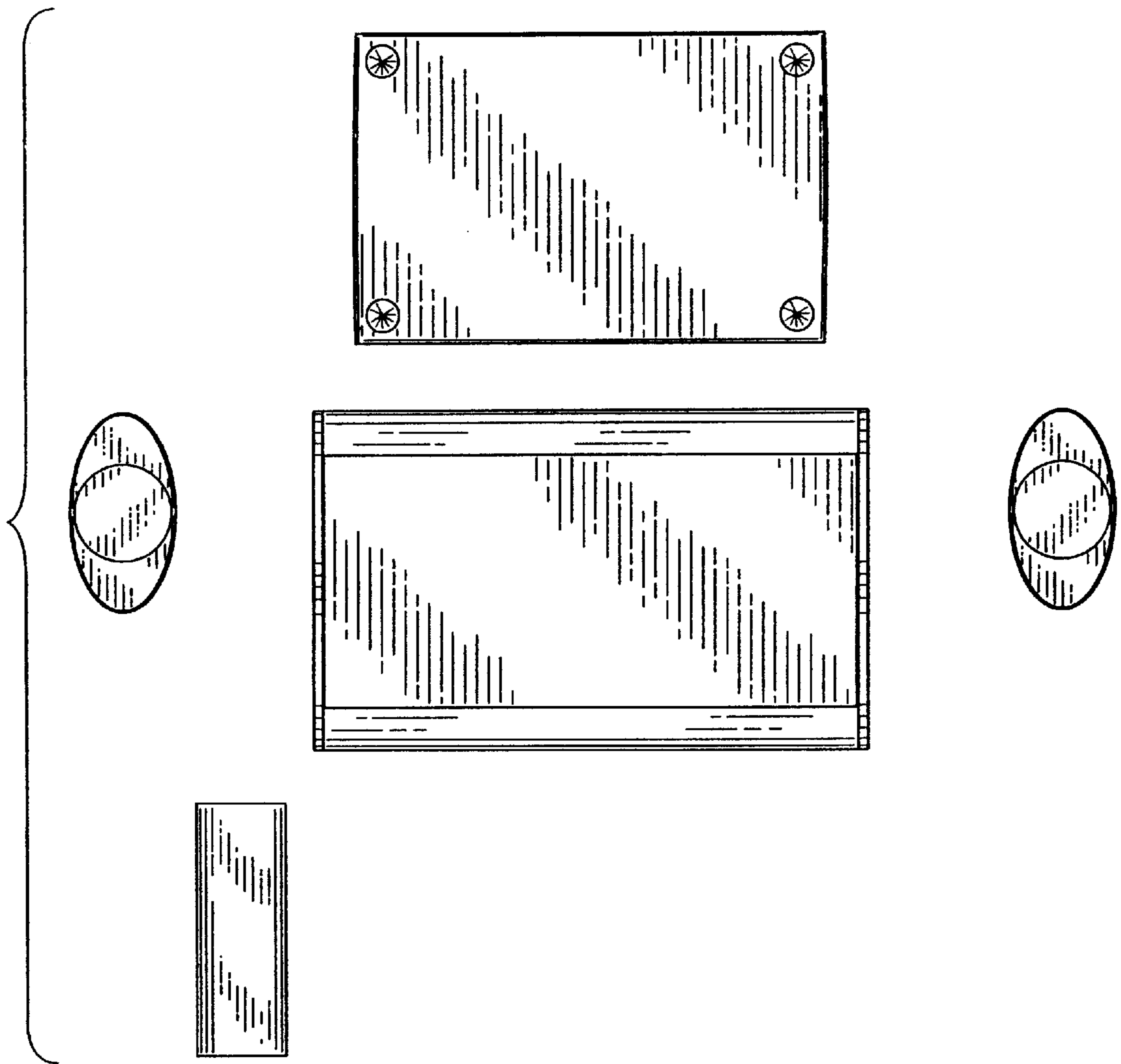


FIG. 7