



US00D457151S

(12) **United States Design Patent**
Shintani

(10) **Patent No.:** **US D457,151 S**

(45) **Date of Patent:** **** May 14, 2002**

(54) **TELEPHONE**

(75) **Inventor:** **Eiji Shintani, Tokyo (JP)**

(73) **Assignee:** **Sony Corporation, Tokyo (JP)**

(**) **Term:** **14 Years**

(21) **Appl. No.:** **29/142,883**

(22) **Filed:** **Jun. 5, 2001**

(51) **LOC (7) Cl.** **14-03**

(52) **U.S. Cl.** **D14/151**

(58) **Field of Search** D14/434, 329,
D14/330, 447, 148, 147, 149-151, 140-142,
240, 241, 251, 253, 130; 379/420.01, 420.02,
420.03, 419, 420.04, 428.02, 428.01, 428.04,
428.03, 454, 440, 434-436, 446; D13/107,
108; 320/110, 113, 114, 115

(56) **References Cited**

U.S. PATENT DOCUMENTS

| | | | | | |
|-------------|---|---------|-----------------|-------|---------|
| D299,229 S | * | 1/1989 | Kuo | | D14/151 |
| D299,456 S | * | 1/1989 | Kuo | | D14/151 |
| D306,296 S | * | 2/1990 | Hayashi | | D14/151 |
| D311,191 S | * | 10/1990 | Ando | | D14/241 |
| D313,012 S | * | 12/1990 | Pataki et al. | | D14/339 |
| D321,875 S | * | 11/1991 | Ando | | D14/151 |
| D328,295 S | * | 7/1992 | Gagnon et al. | | D14/142 |
| D330,201 S | * | 10/1992 | Preece et al. | | D14/151 |
| D332,786 S | * | 1/1993 | Gagnon | | D14/142 |
| 5,187,743 A | * | 2/1993 | Gumb et al. | | 379/436 |
| D340,715 S | * | 10/1993 | Desbarats | | D14/151 |
| D356,086 S | * | 3/1995 | Townsend et al. | | D14/150 |

| | | | | | |
|------------|---|---------|----------------|-------|---------|
| D389,145 S | * | 1/1998 | Yoneyama | | D14/151 |
| D390,563 S | * | 2/1998 | Akatsu et al. | | D14/151 |
| D401,244 S | * | 11/1998 | Cheng | | D14/242 |
| D412,171 S | * | 7/1999 | Girardi et al. | | D14/151 |
| D421,988 S | * | 3/2000 | Fitzgerald | | D14/150 |
| D423,003 S | * | 4/2000 | Chan | | D14/151 |
| D426,536 S | * | 6/2000 | Shindo | | D14/151 |
| D432,108 S | * | 10/2000 | Isonaga | | D14/151 |
| D445,772 S | * | 7/2001 | Fitzgerald | | D14/151 |

OTHER PUBLICATIONS

Catalog "Personal Facsimile/Telephone", p. 10, Sony Corporation (Jan. 2001).

* cited by examiner

Primary Examiner—Jeffrey Asch

(74) *Attorney, Agent, or Firm*—Rader, Fishman & Grauer, PLLC

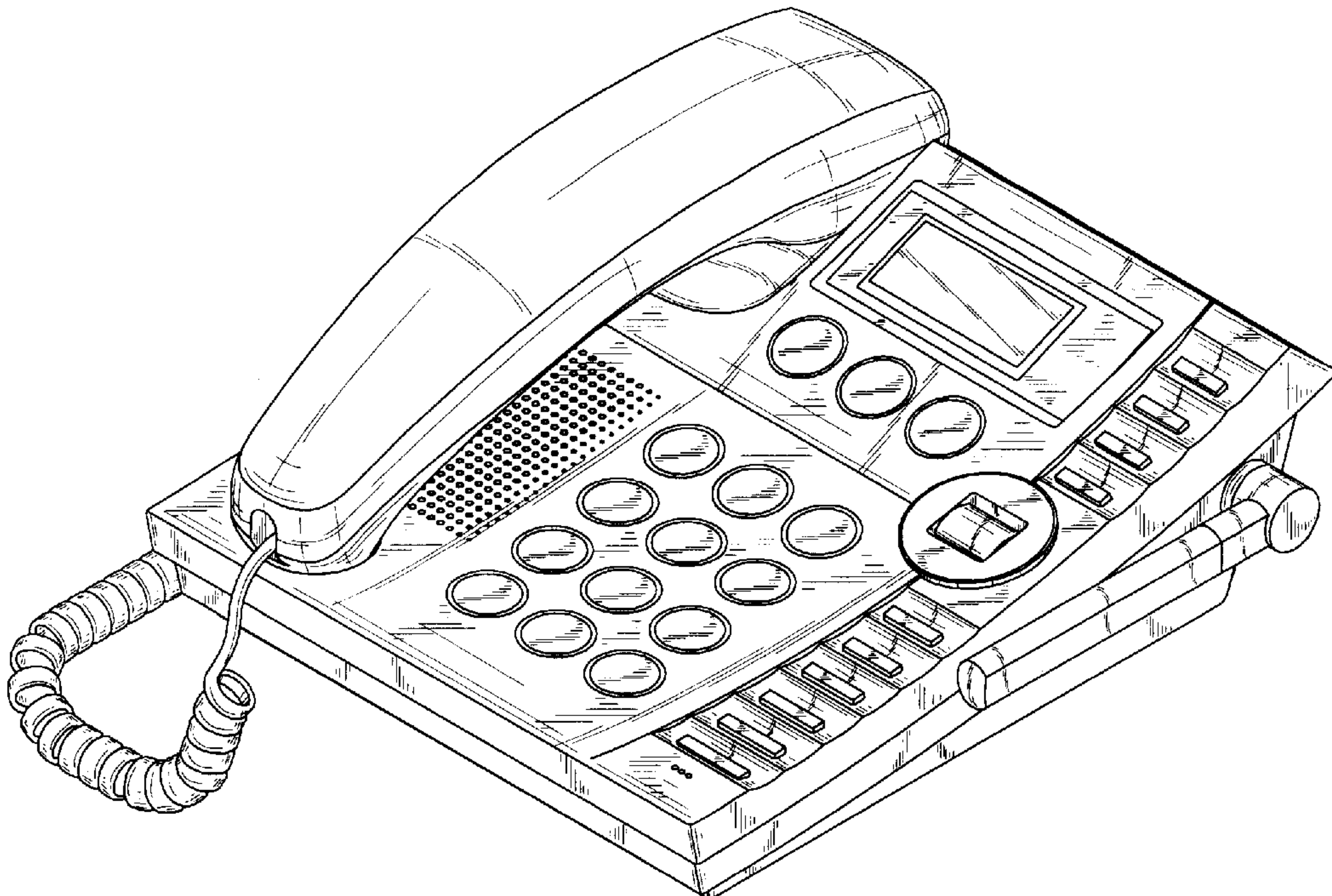
(57) **CLAIM**

The ornamental design for a telephone, as shown and described.

DESCRIPTION

FIG. 1 is a perspective view of a telephone showing my new design;
FIG. 2 is a front elevational view thereof;
FIG. 3 is a rear elevational view thereof;
FIG. 4 is a left side elevational view thereof;
FIG. 5 is a right side elevational view thereof;
FIG. 6 is a top plan view thereof; and,
FIG. 7 is a bottom plan view thereof.

1 Claim, 4 Drawing Sheets



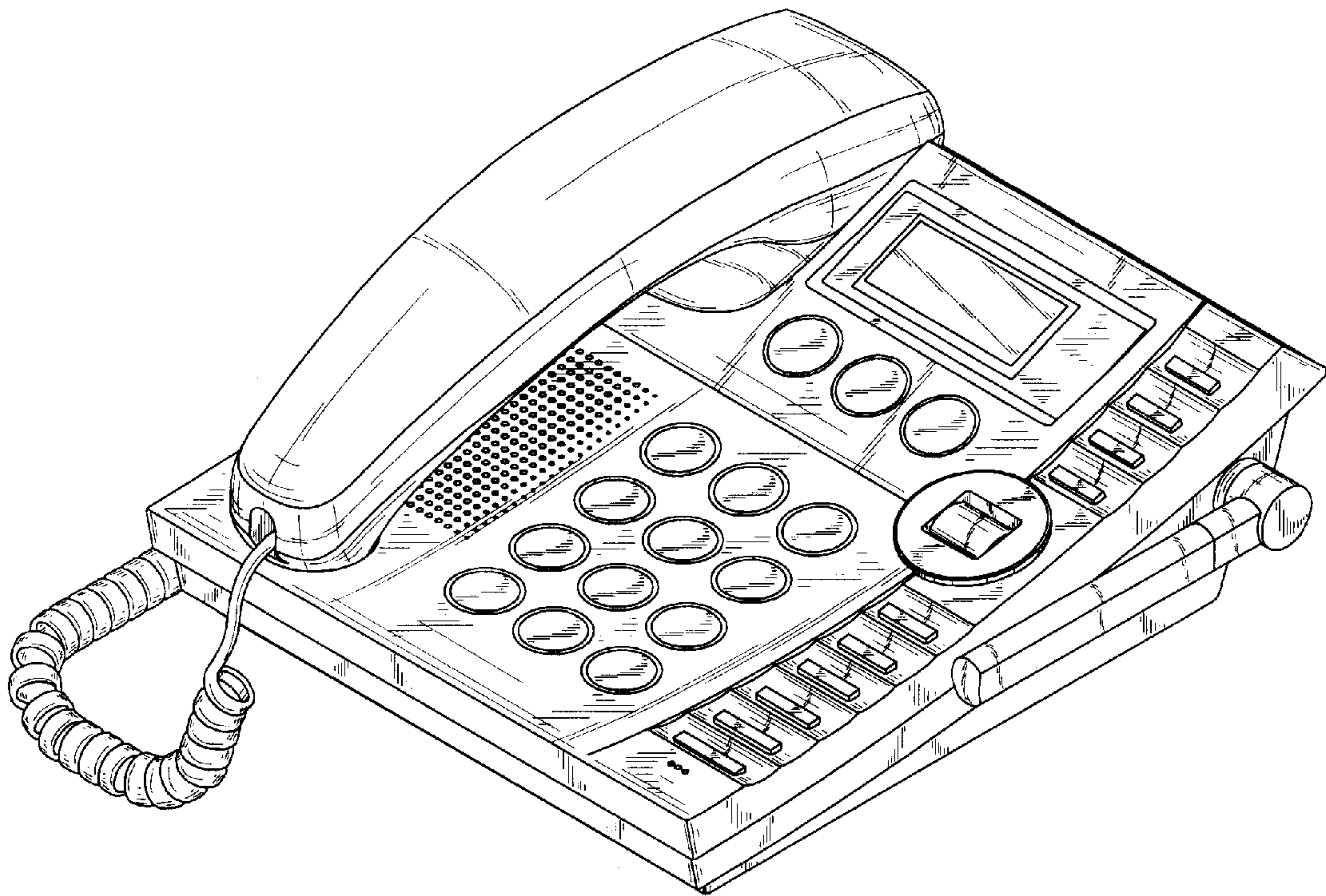


Fig. 1

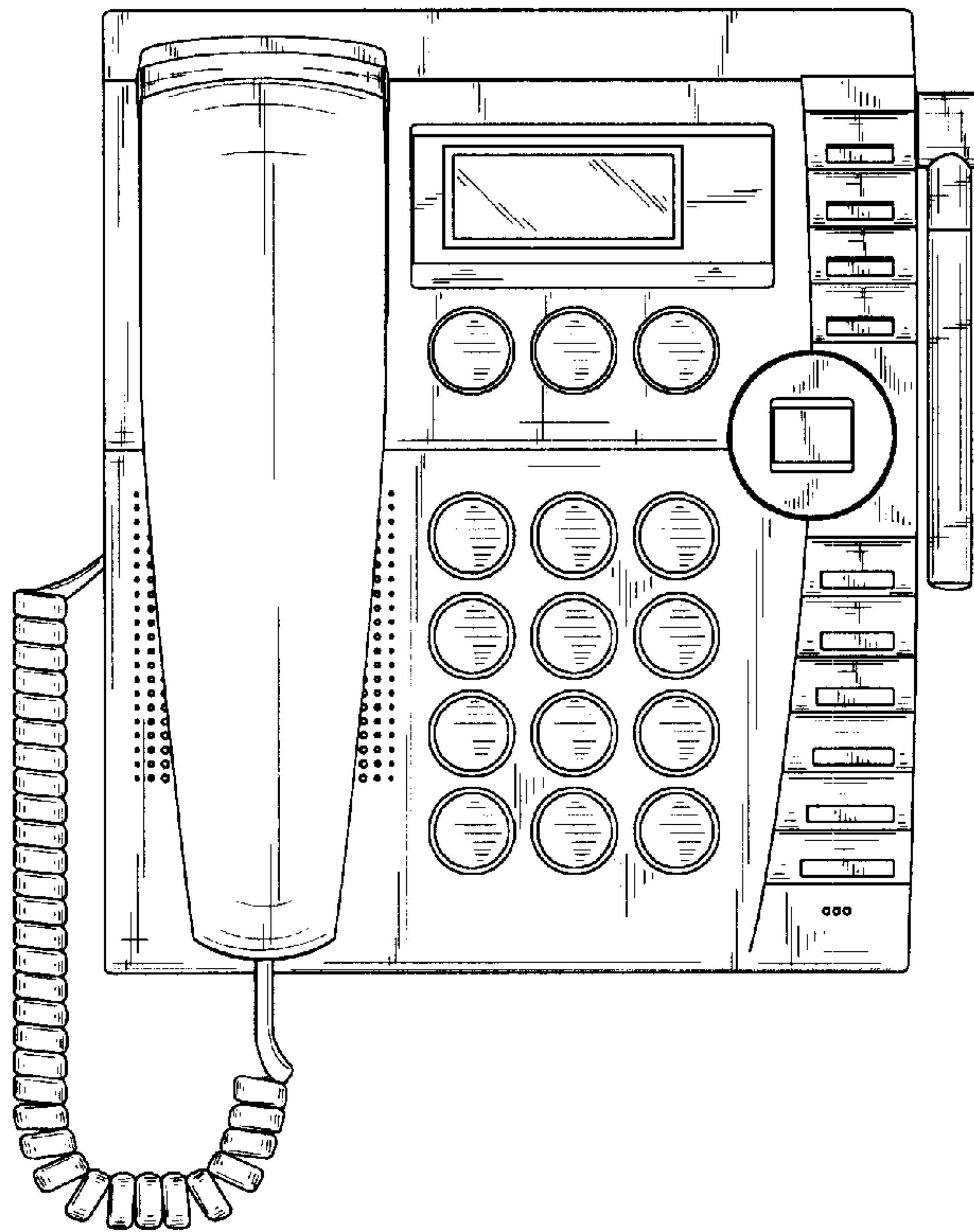


Fig. 2

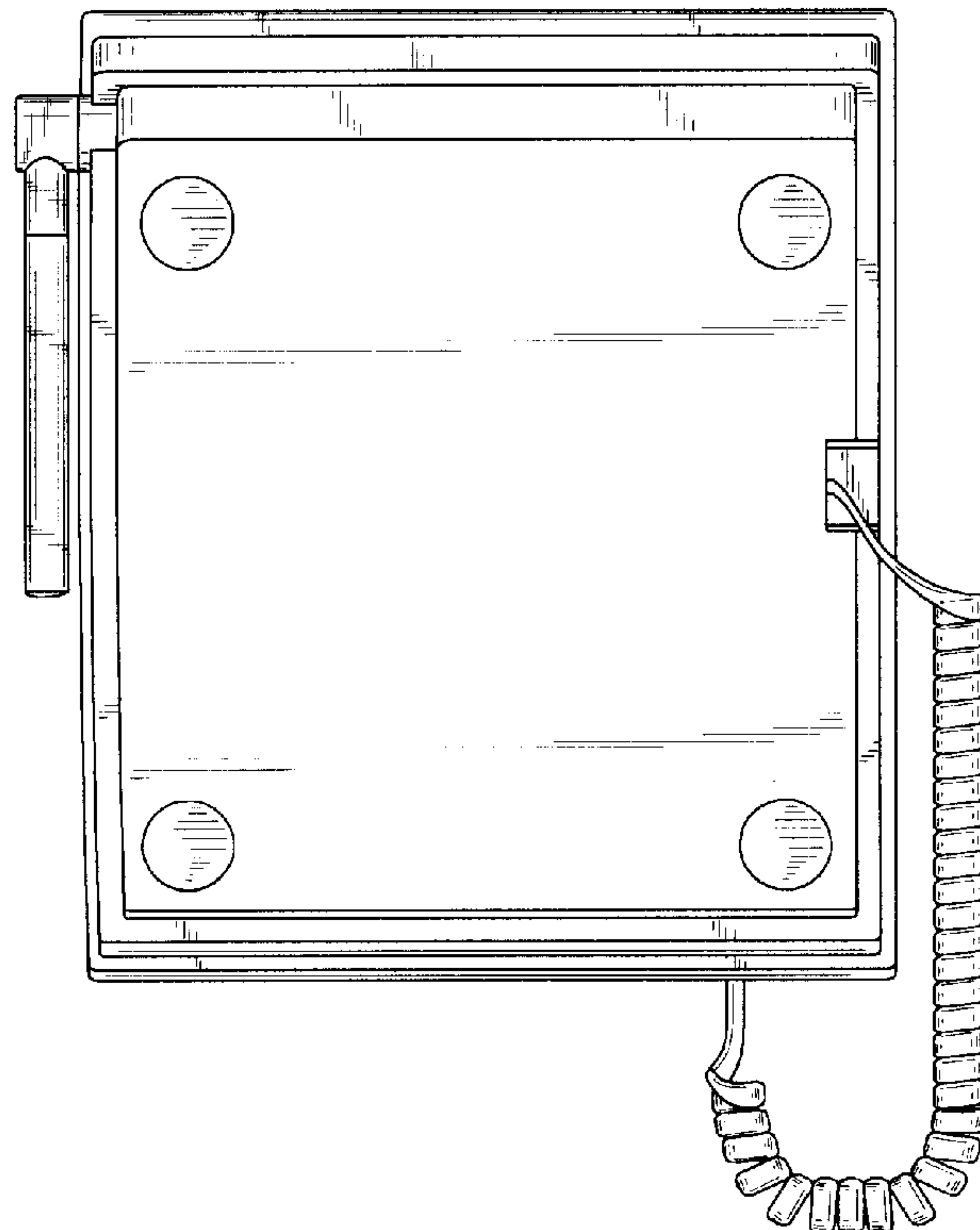


Fig. 3

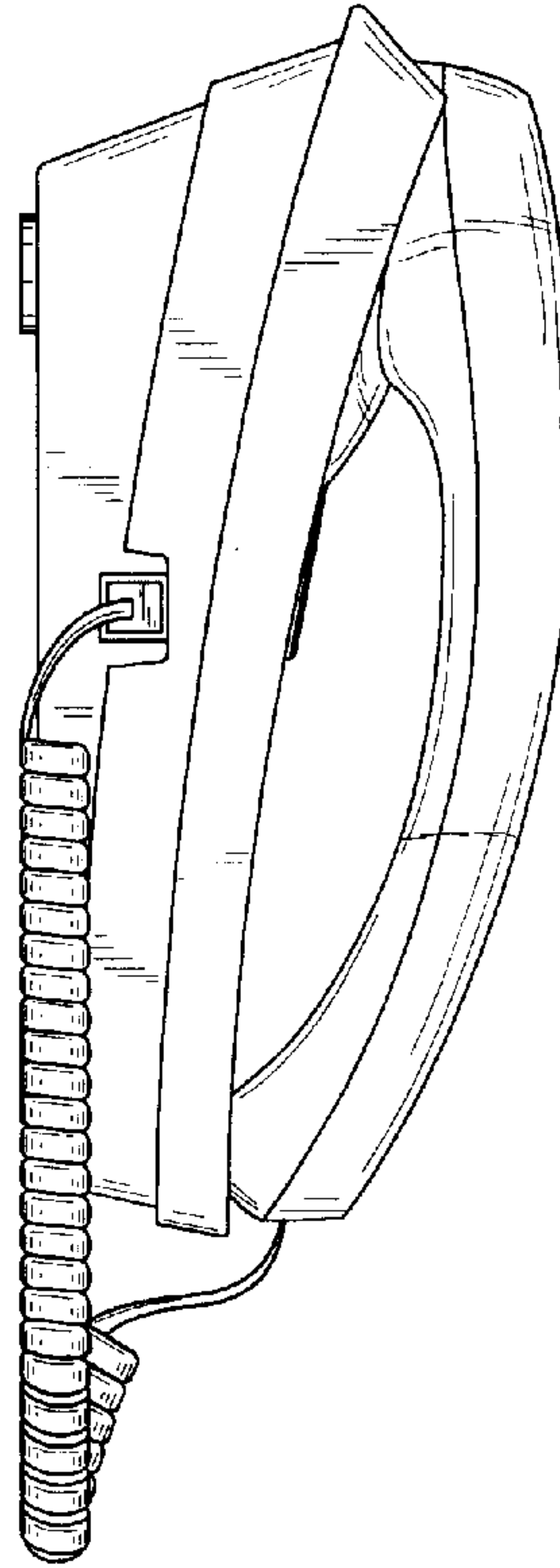


Fig. 4

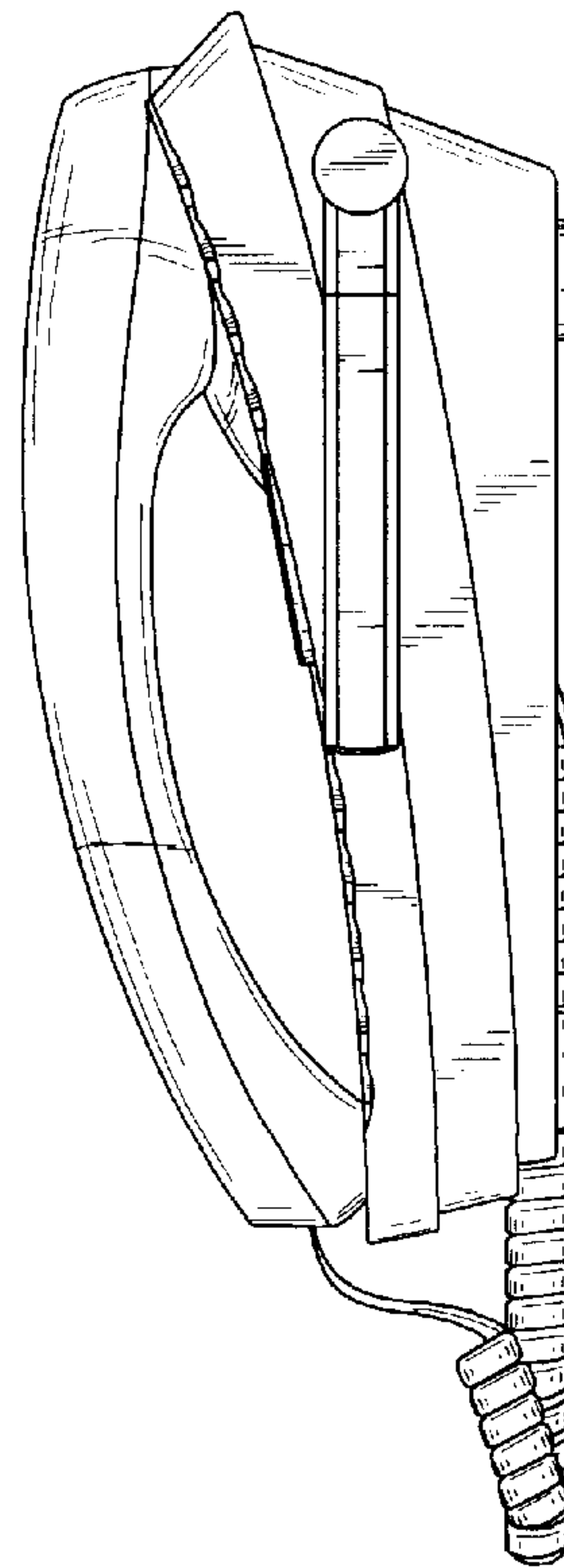


Fig. 5

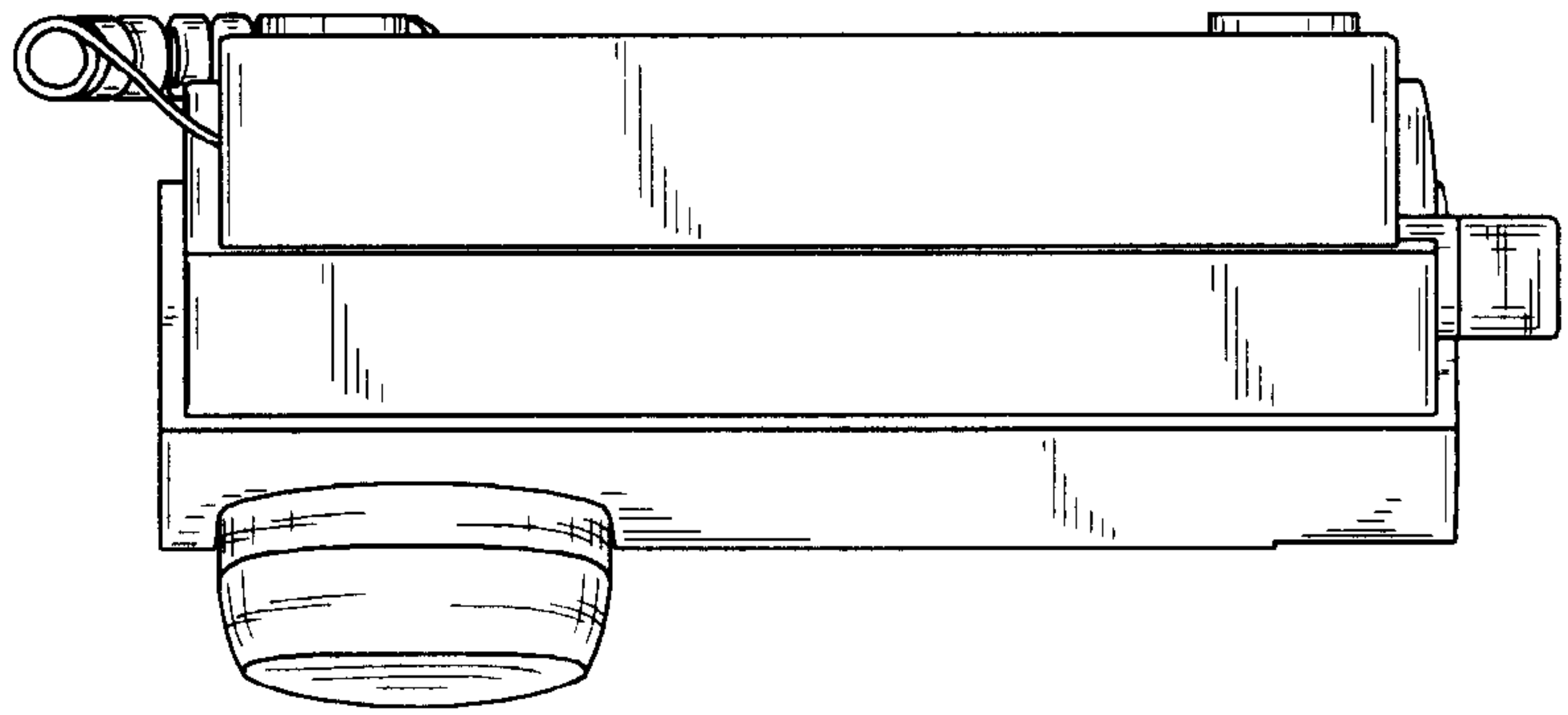


Fig. 6

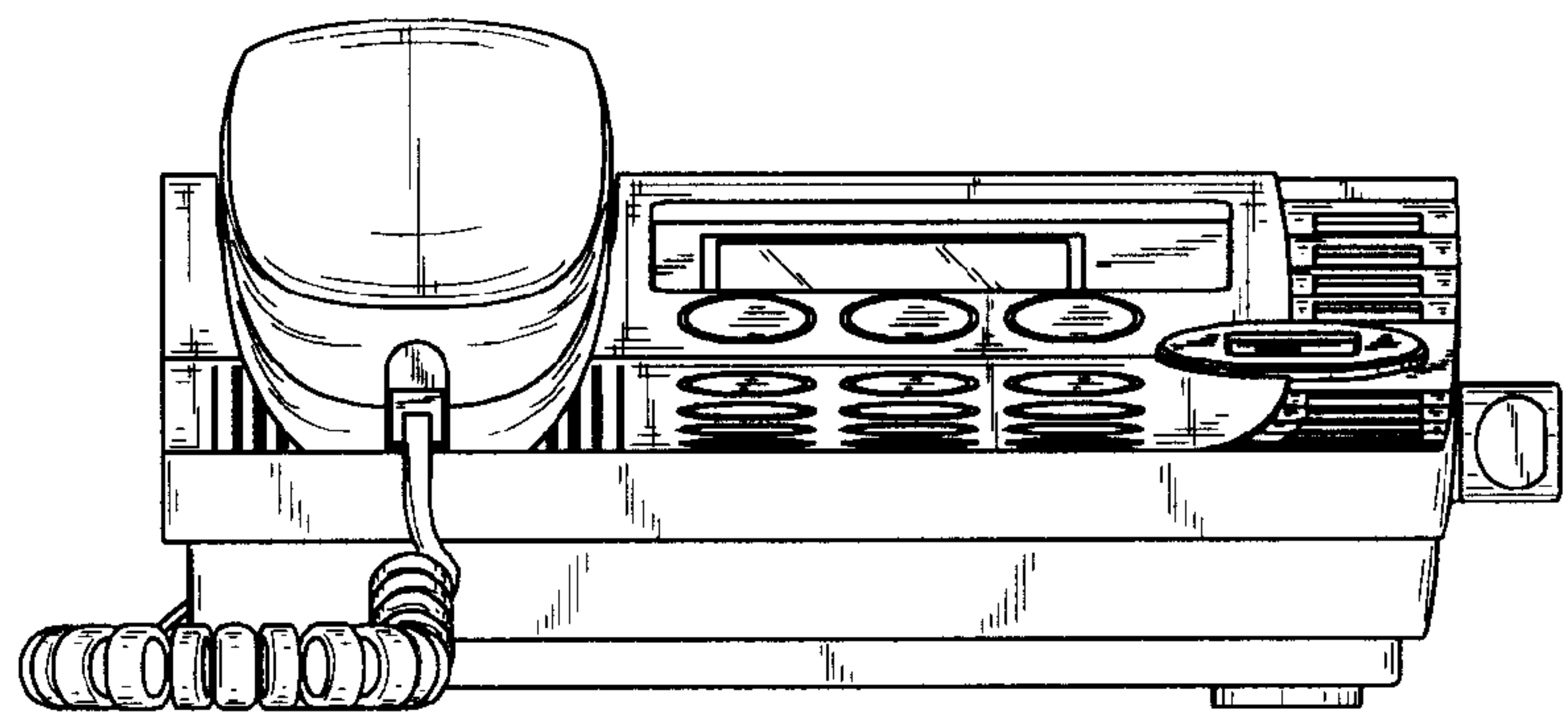


Fig. 7