



US00D457150S

(12) **United States Design Patent**  
**Chen**

(10) **Patent No.:** **US D457,150 S**

(45) **Date of Patent:** **\*\* May 14, 2002**

(54) **CONFERENCE SPEAKERPHONE**

(75) **Inventor:** **Tonny Chen, Chang-Hua (TW)**

(73) **Assignee:** **E-Lead Electronic Co., Ltd,  
Chang-Hua (TW)**

(\*\*) **Term:** **14 Years**

(21) **Appl. No.:** **29/144,895**

(22) **Filed:** **Jul. 13, 2001**

(51) **LOC (7) Cl.** ..... **14-03**

(52) **U.S. Cl.** ..... **D14/150**

(58) **Field of Search** ..... D14/434, 329,  
D14/330, 447, 148, 147, 149-151, 140-142,  
243, 216, 240, 241, 225-229, 251, 253,  
204, 215, 130, 168, 171; 379/420.01, 420.02,  
420.03, 419, 420.04, 428.02, 428.01, 428.04,  
428.03, 454, 440, 446; D13/107, 108; 320/110,  
113, 114, 115

(56) **References Cited**

**U.S. PATENT DOCUMENTS**

4,363,482 A	*	12/1982	Goldfarb	.....	463/9
D292,283 S	*	10/1987	Matsuda et al.	.....	D14/240
D308,701 S	*	6/1990	Kojima	.....	D21/324
D311,541 S	*	10/1990	Carre	.....	D14/240
D325,734 S	*	4/1992	Miyai	.....	D14/189
D327,479 S	*	6/1992	Britz	.....	D14/225
D342,732 S	*	12/1993	Hinman et al.	.....	D14/150
D355,416 S	*	2/1995	McCay et al.	.....	D14/137

D381,019 S	*	7/1997	Muller et al.	.....	D14/124
D382,266 S	*	8/1997	Wakefield	.....	D14/150
D406,841 S	*	3/1999	Myung	.....	D14/150
D411,995 S	*	7/1999	Chen	.....	D14/150
6,016,346 A	*	1/2000	Rittmueller et al.	...	379/420.02
D434,747 S	*	12/2000	Bird et al.	.....	D14/150
D444,777 S	*	7/2001	Bird et al.	.....	D14/150
D449,285 S	*	10/2001	Wakefield et al.	.....	D14/150
D449,286 S	*	10/2001	Wakefield et al.	.....	D14/150

**OTHER PUBLICATIONS**

Hello Direct, Spring 1997, p. 44, teleconferencing devices shown therein.\*

\* cited by examiner

*Primary Examiner*—Jeffrey Asch

(74) *Attorney, Agent, or Firm*—Rosenberg, Klein & Lee

(57) **CLAIM**

The ornamental design for a conference speakerphone, as shown and described.

**DESCRIPTION**

FIG. 1 is a perspective view of conference speakerphone showing my new design;

FIG. 2 is a front elevation view thereof;

FIG. 3 is a rear elevation view thereof;

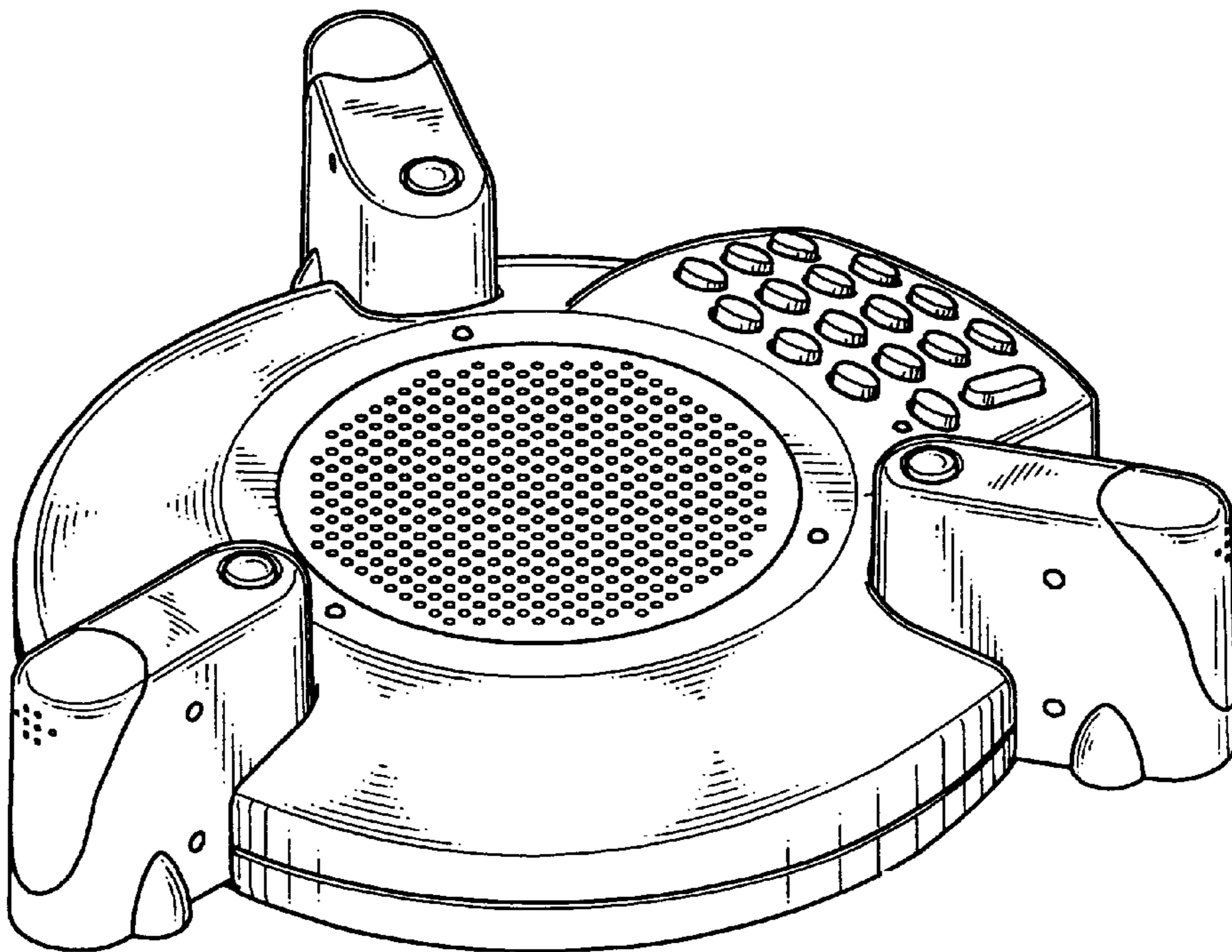
FIG. 4 is a left side elevation view thereof;

FIG. 5 is a right side elevation view thereof;

FIG. 6 is a top plan view thereof; and,

FIG. 7 is a bottom plan view thereof.

**1 Claim, 5 Drawing Sheets**



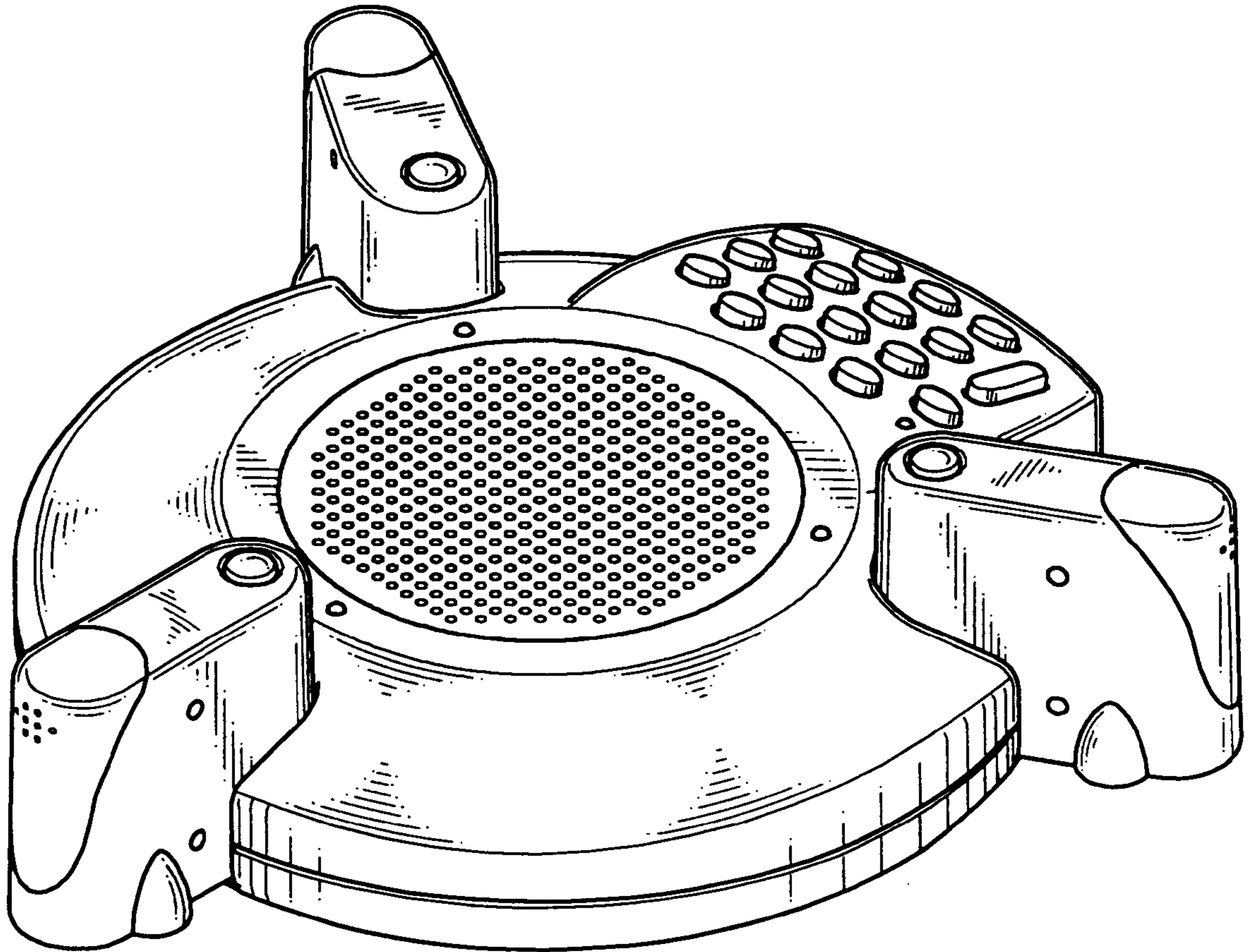


FIG. 1

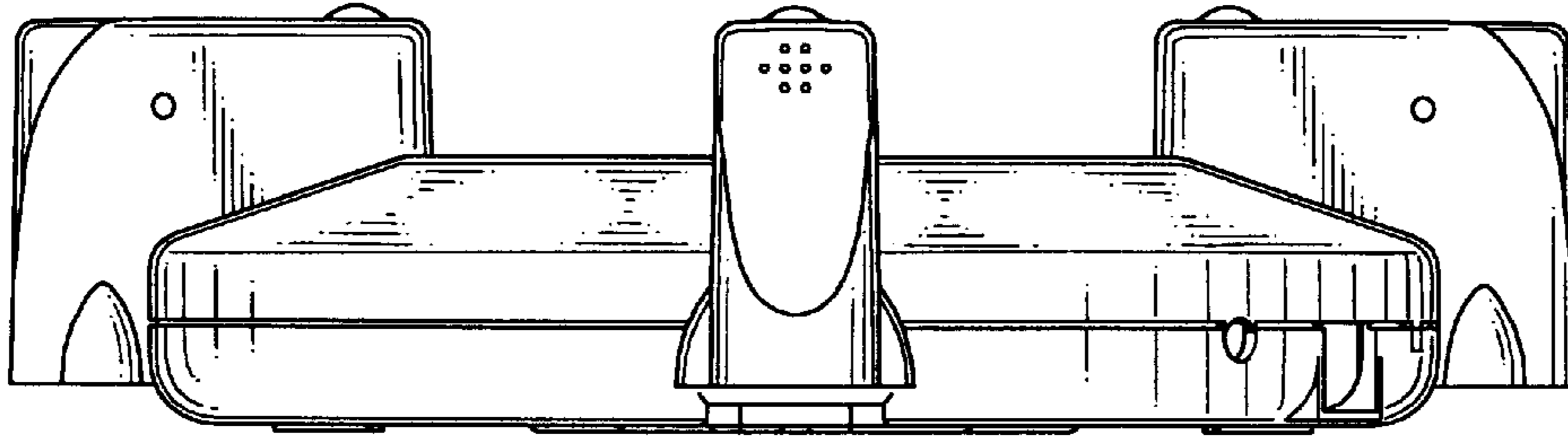


FIG. 2

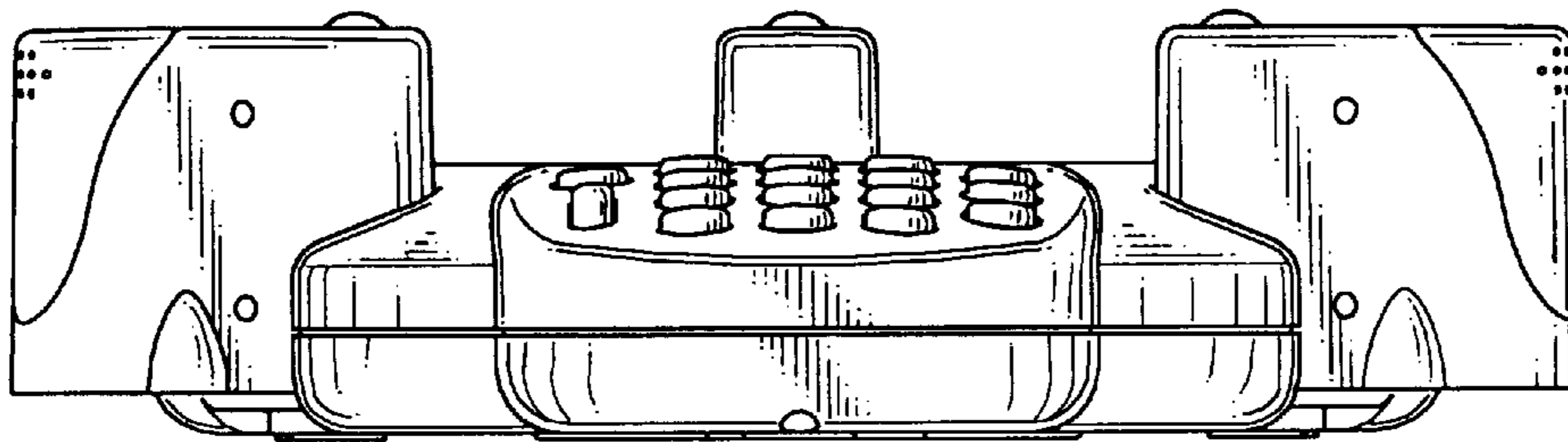


FIG. 3

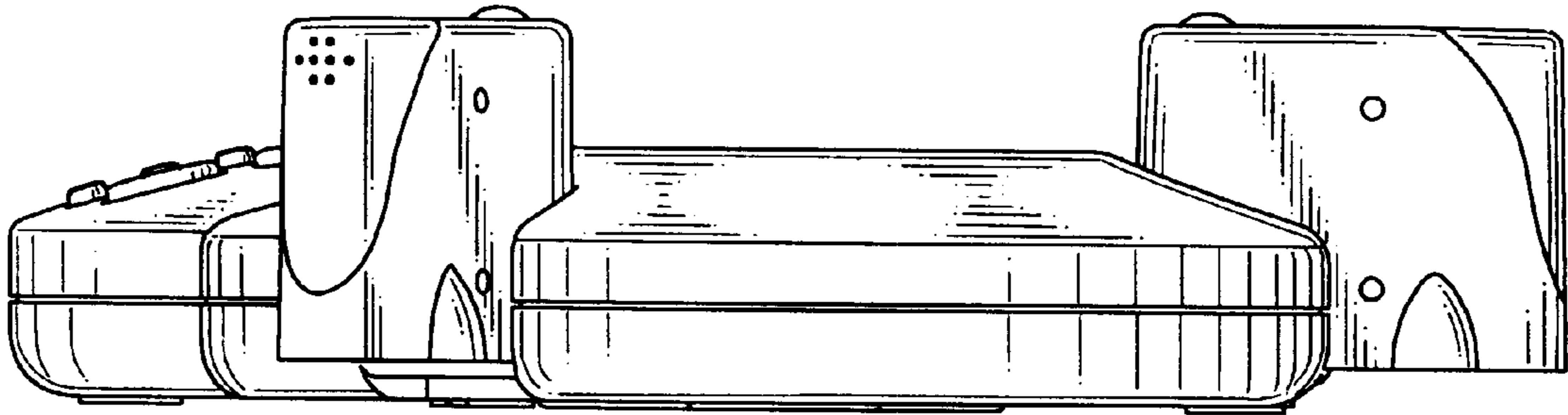


FIG. 4

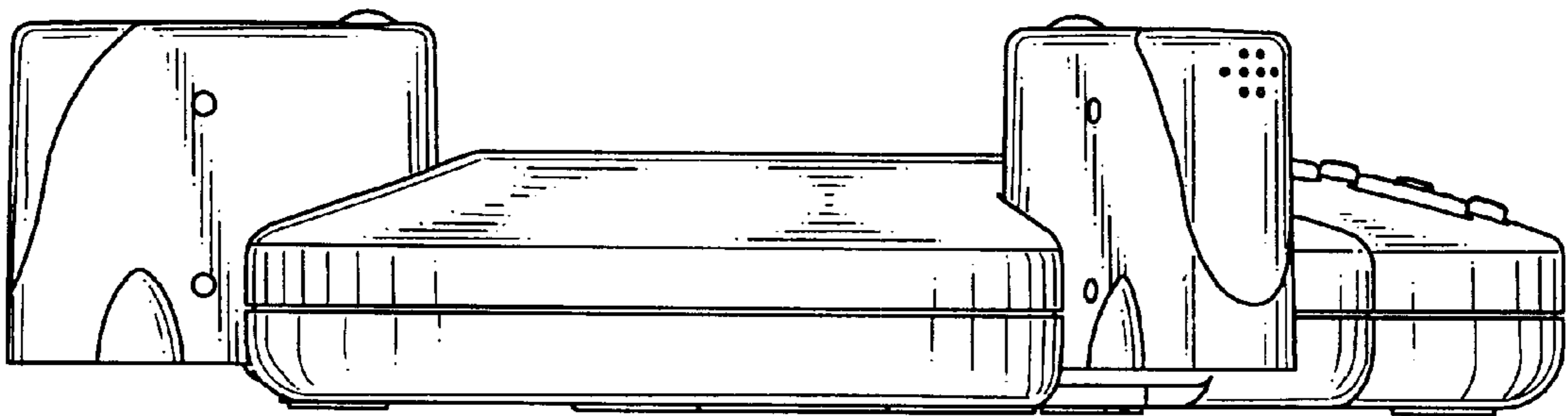


FIG. 5

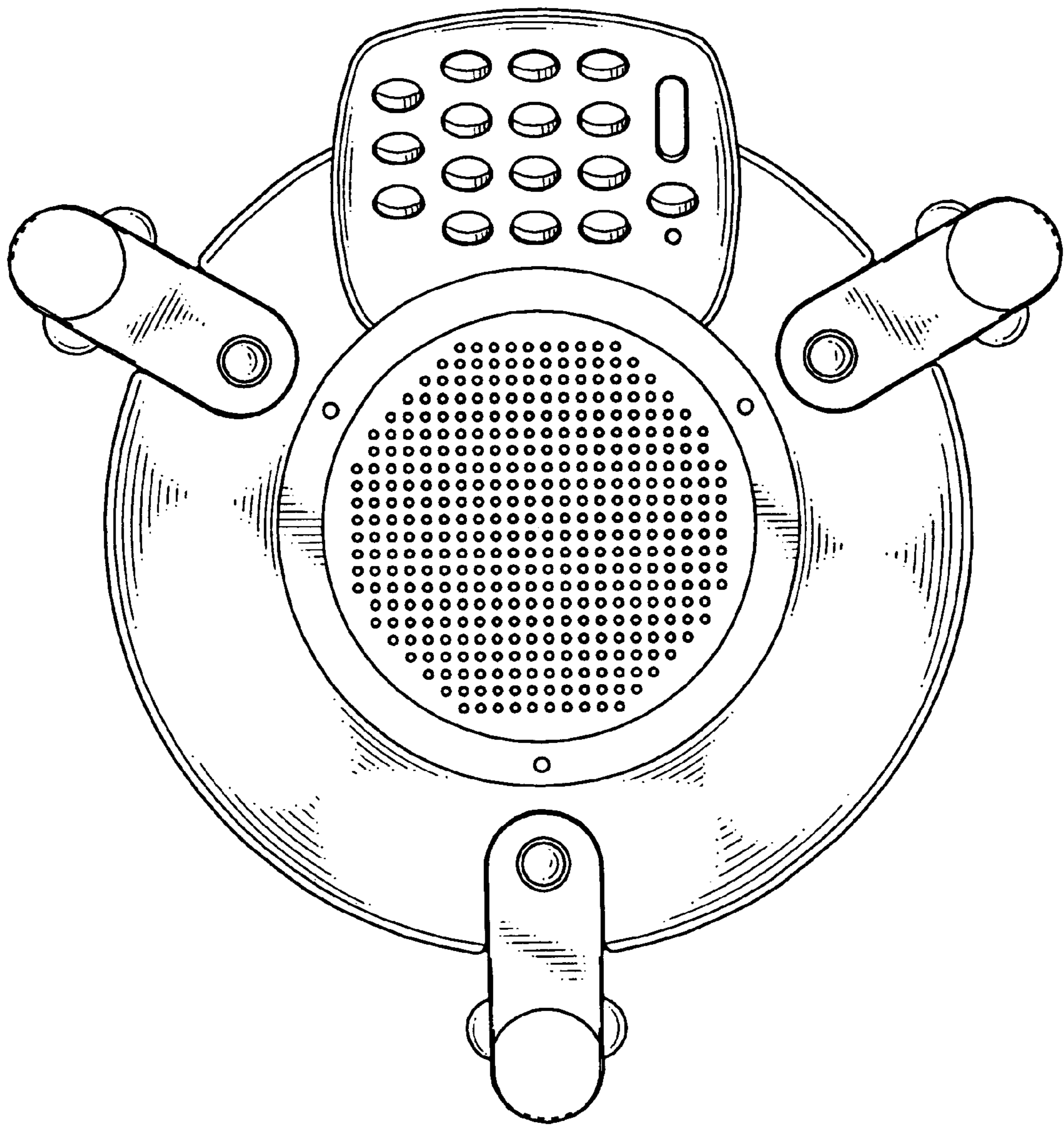


FIG. 6

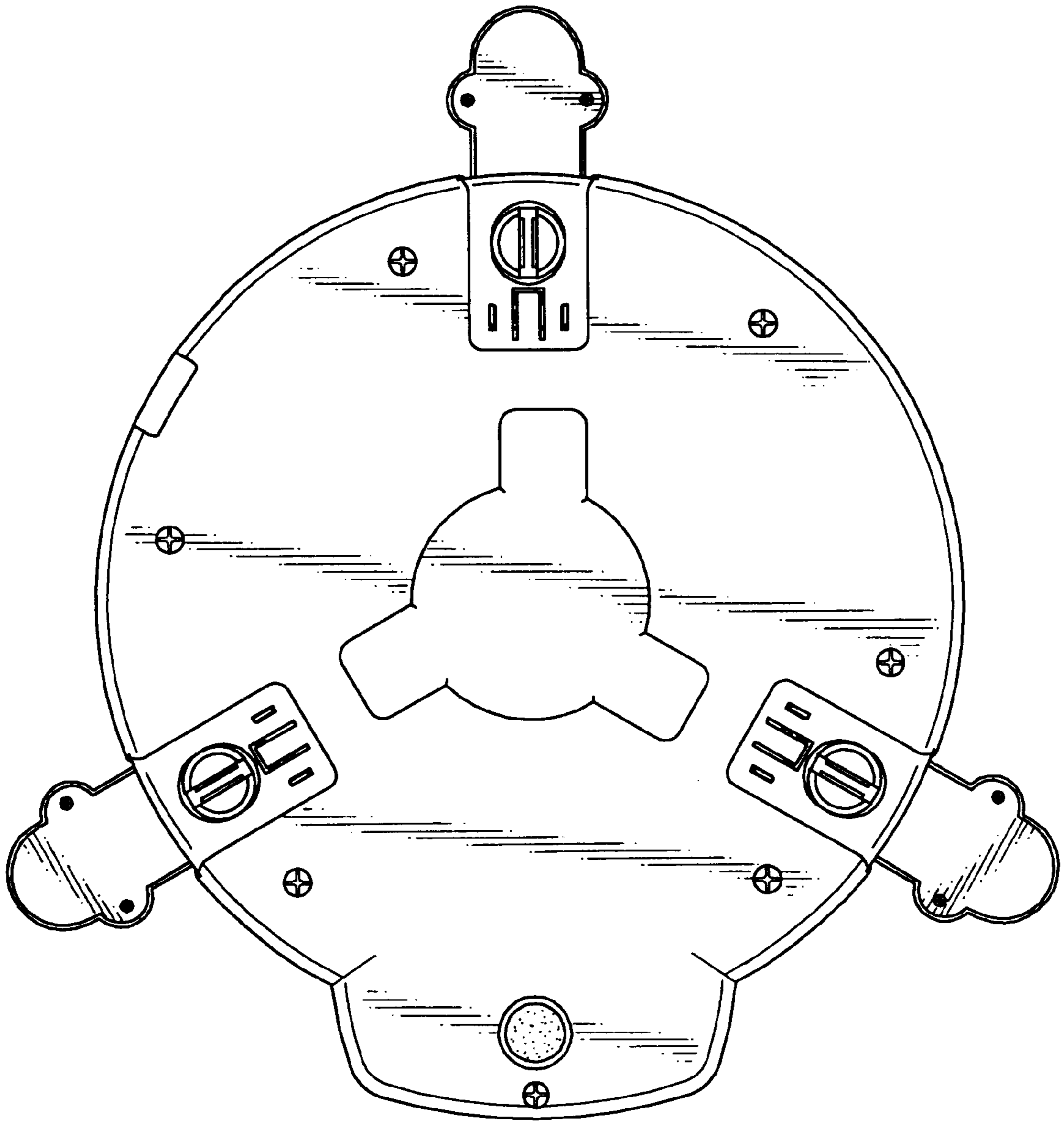


FIG. 7