



US00D457148S

(12) **United States Design Patent**  
**Jung et al.**

(10) **Patent No.:** **US D457,148 S**

(45) **Date of Patent:** **\*\* May 14, 2002**

(54) **TELEVISION SET**

D440,950 S \* 4/2001 Oe ..... D14/126

(75) Inventors: **Kwang Ho Jung; Eok Kim**, both of  
Seoul (KR)

\* cited by examiner

(73) Assignee: **LG Electronics Inc.**, Seoul (KR)

*Primary Examiner*—Raphael Barkai

(\*\*) Term: **14 Years**

(74) *Attorney, Agent, or Firm*—Birch, Stewart, Kotasch &  
Birch, LLP

(21) Appl. No.: **29/142,380**

(57) **CLAIM**

(22) Filed: **May 25, 2001**

The ornamental design for a television set, as shown and  
described.

(30) **Foreign Application Priority Data**

**DESCRIPTION**

Nov. 27, 2000 (KR) ..... 00-30237

FIG. 1 is a perspective view of a television set of the present  
invention;

(51) **LOC (7) Cl.** ..... **14-03**

FIG. 2 is a front elevational view of the television set of the  
present invention;

(52) **U.S. Cl.** ..... **D14/133**

FIG. 3 is a rear elevational view of the television set of the  
present invention;

(58) **Field of Search** ..... D14/125-134,  
D14/239, 374; 312/7.2; 348/787, 789, 836,  
838; 353/47, 74

FIG. 4 is a left side view of the television set of the present  
invention;

(56) **References Cited**

FIG. 5 is a right side view of the television set of the present  
invention;

**U.S. PATENT DOCUMENTS**

FIG. 6 is a top view of the television set of the present  
invention; and,

- D312,634 S \* 12/1990 Kasama ..... D14/128
- D360,203 S \* 7/1995 Bourgerie ..... D14/133
- D410,917 S \* 6/1999 Novak ..... D14/133
- D434,015 S \* 11/2000 Oe ..... D14/133
- D439,570 S \* 3/2001 Tsao ..... D14/128

FIG. 7 is a bottom view of the television set of the present  
invention.

**1 Claim, 4 Drawing Sheets**

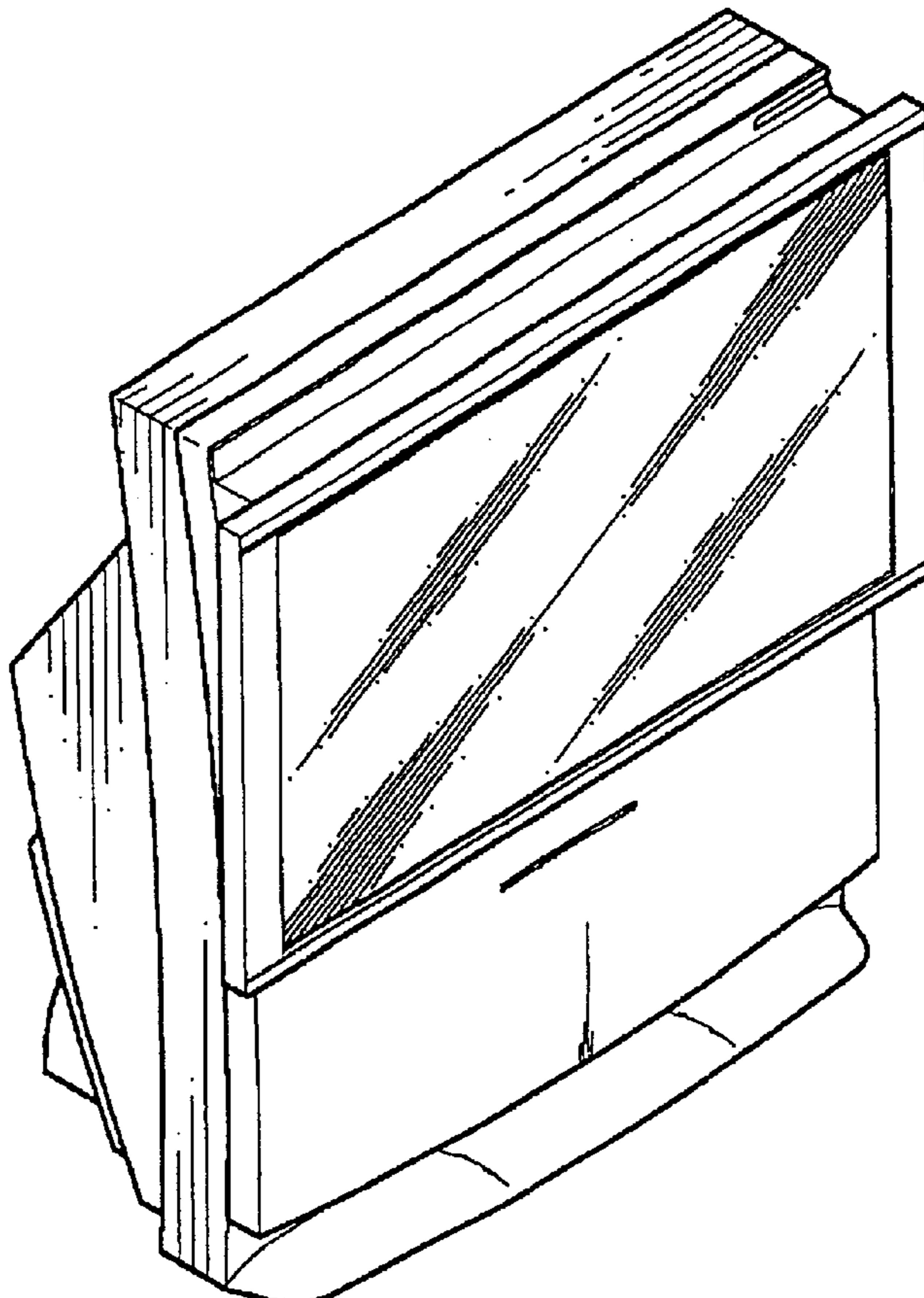


FIGURE 1

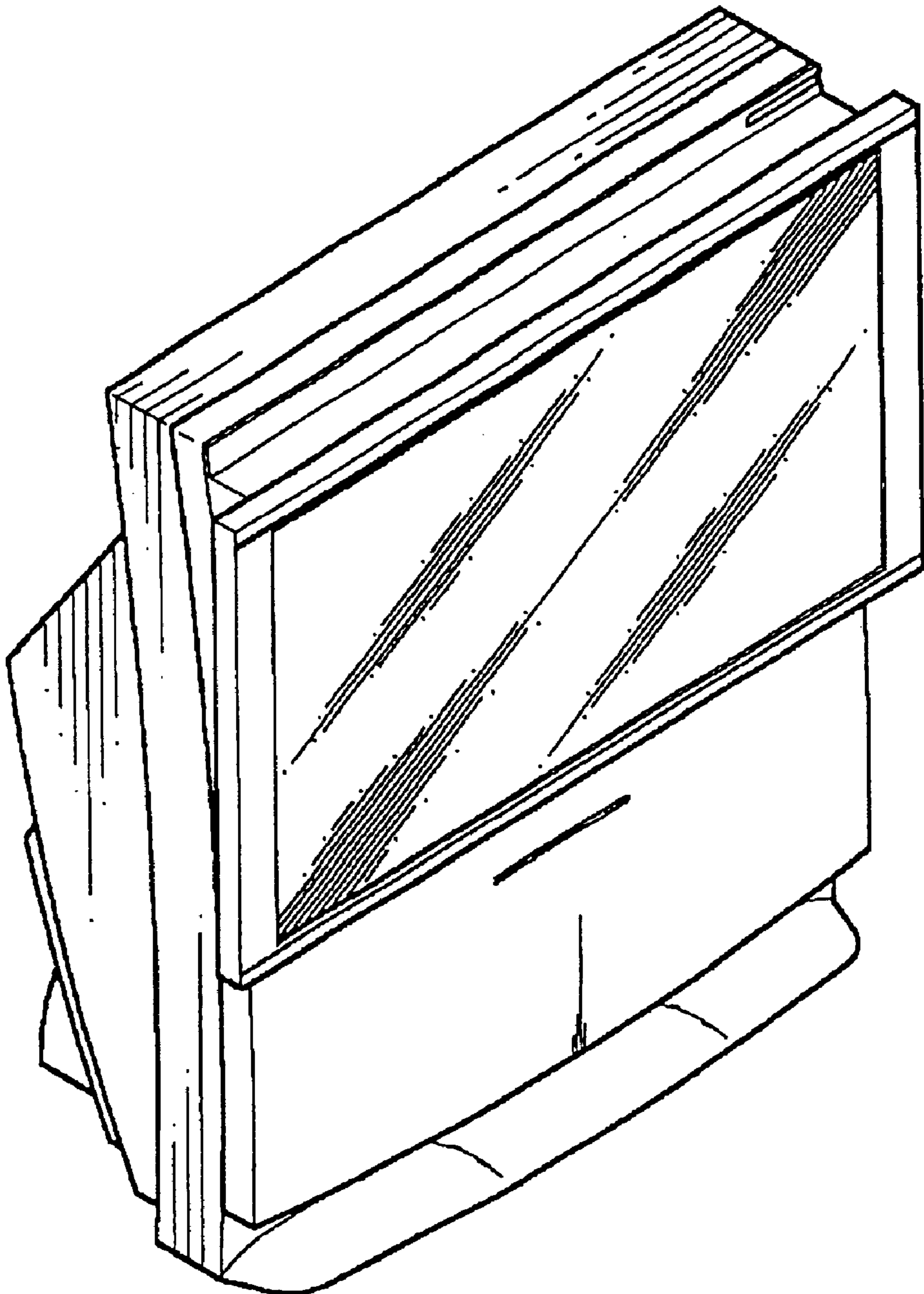


FIGURE 2

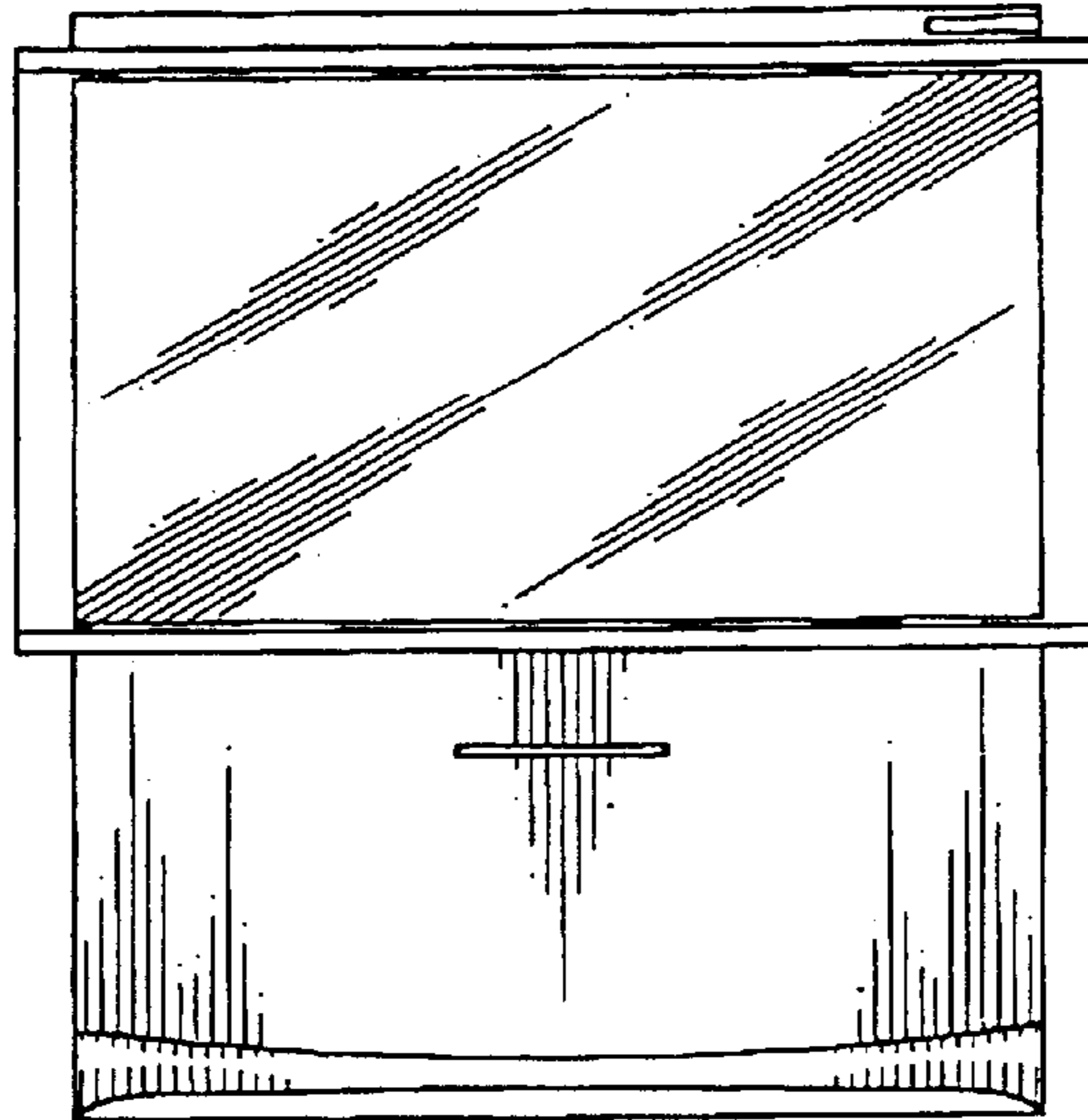


FIGURE 3

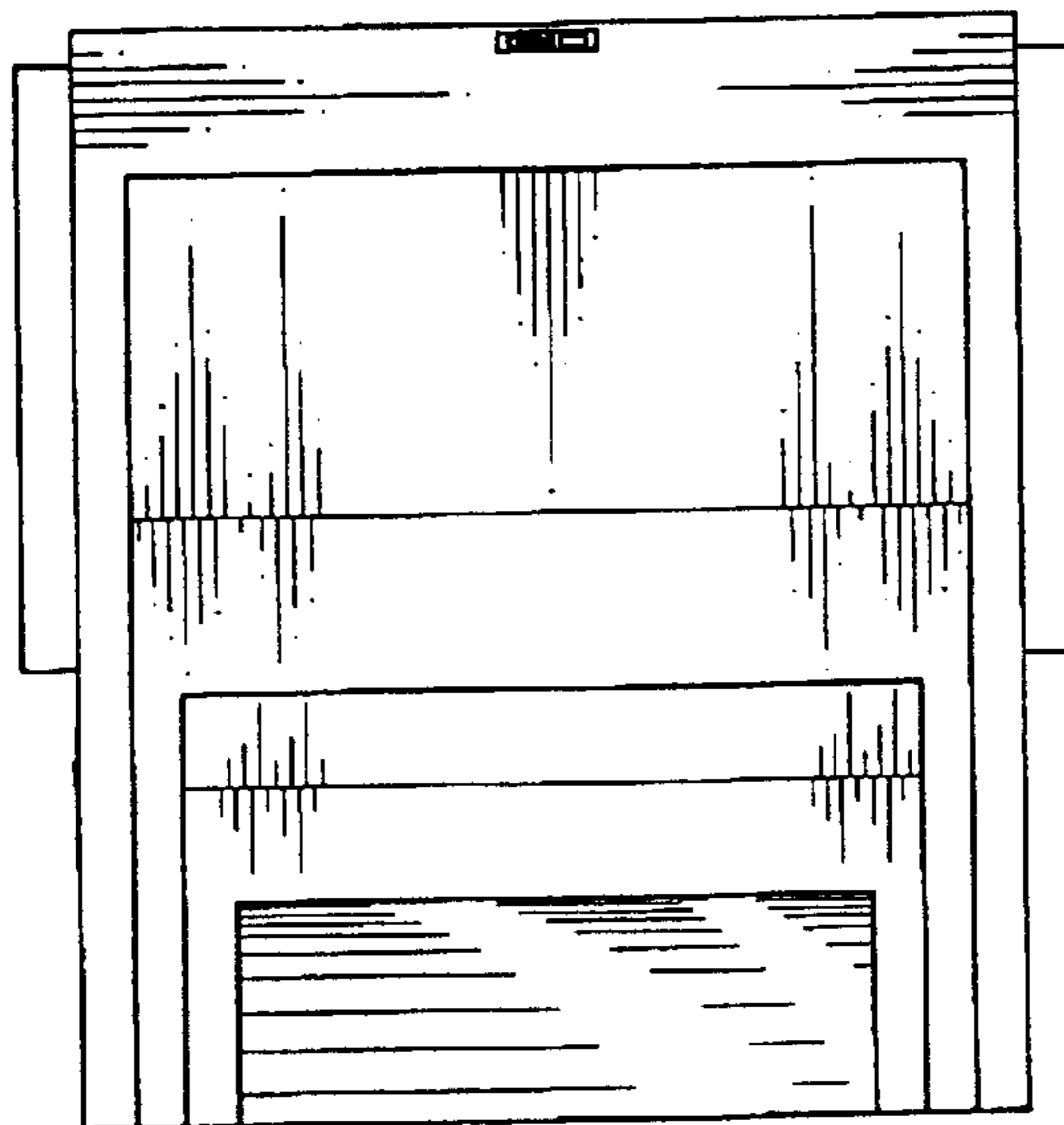


FIGURE 4

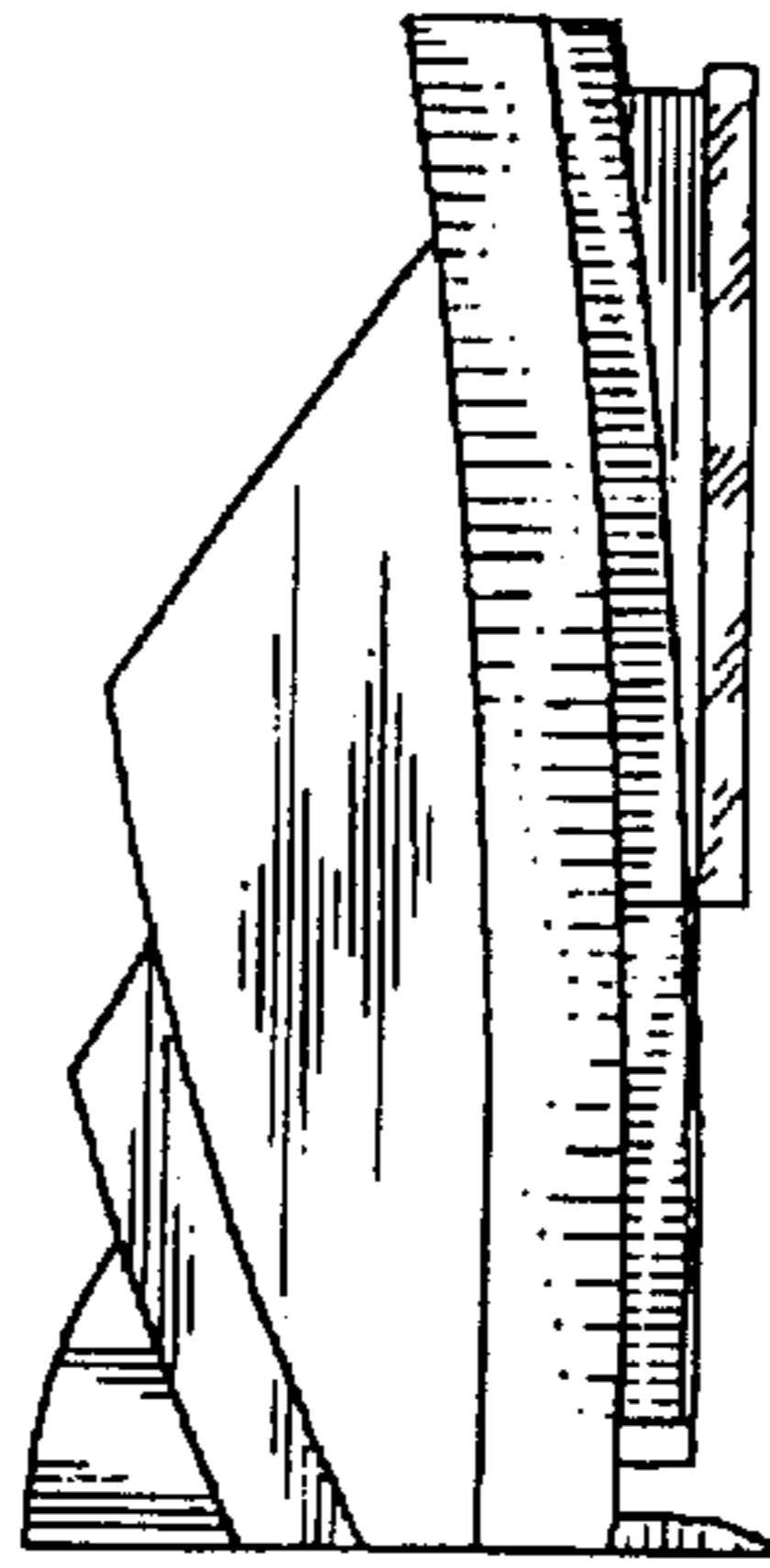


FIGURE 5

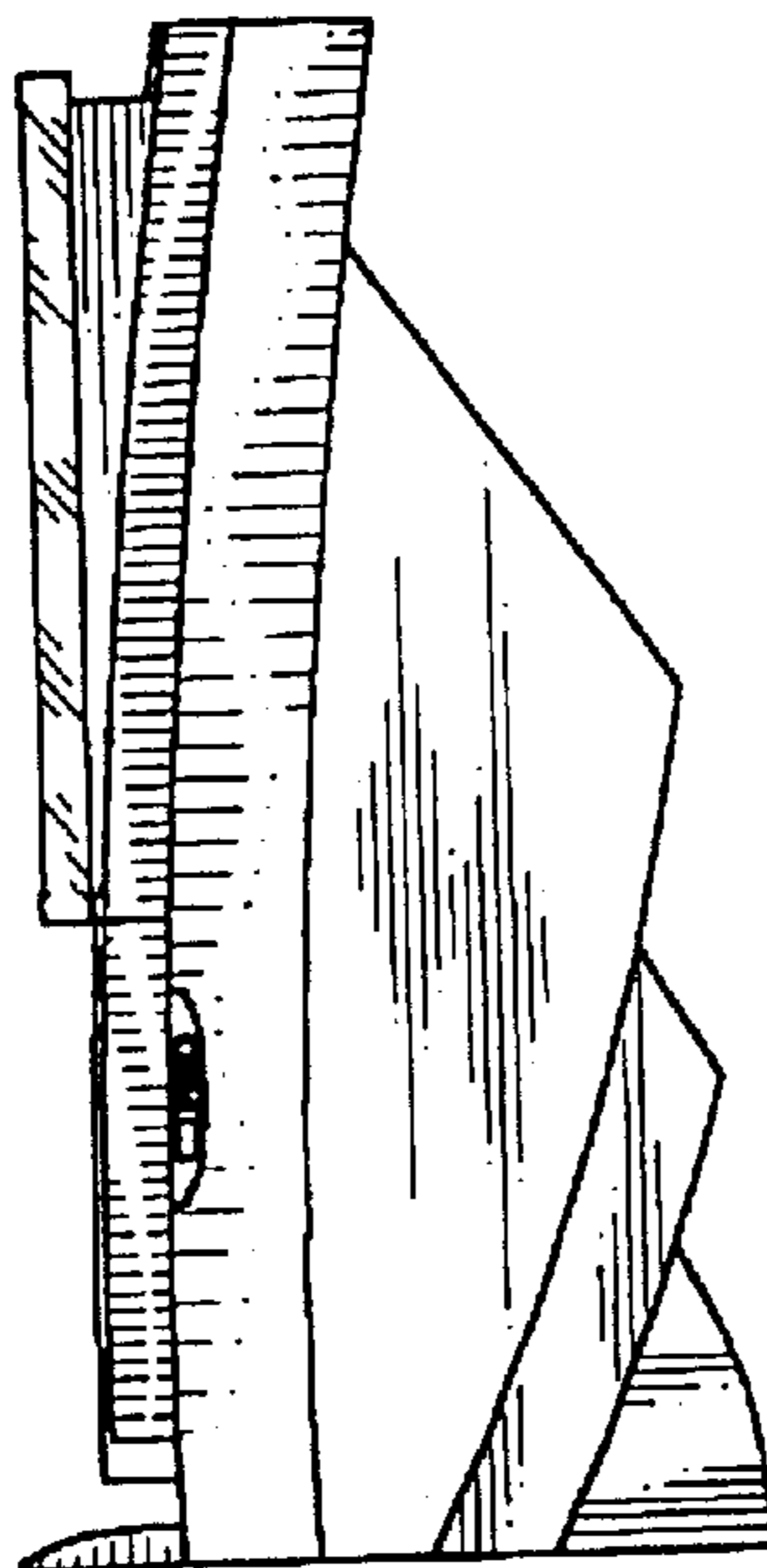


FIGURE 6

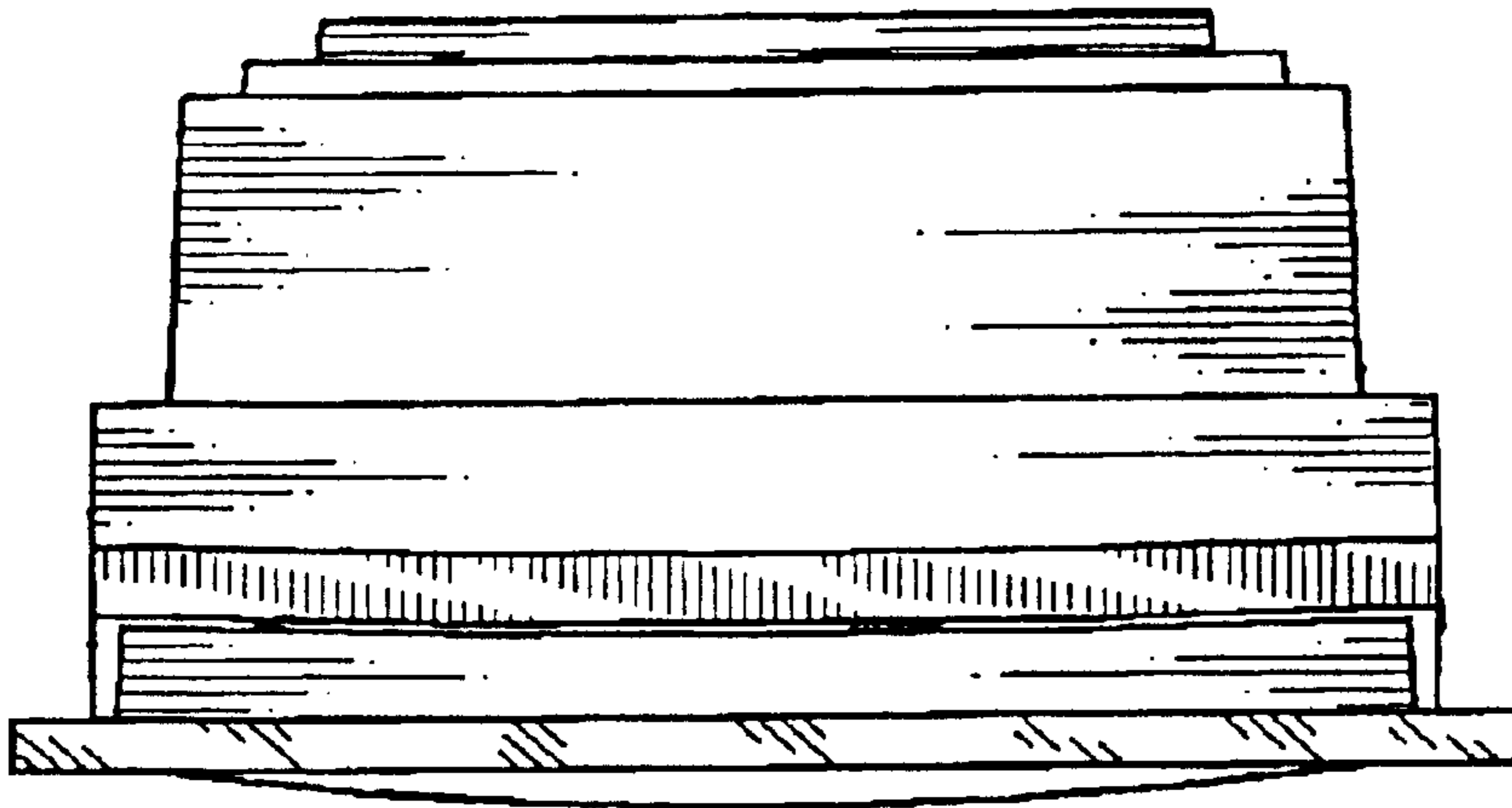


FIGURE 7

