



US00D457145S

(12) **United States Design Patent**
Pagano et al.

(10) **Patent No.:** **US D457,145 S**

(45) **Date of Patent:** **** May 14, 2002**

(54) **LIGHT SWITCH DEVICE**

(75) Inventors: **Bruce Pagano; James Pagano**, both of
Coral Springs, FL (US)

(73) Assignee: **Florida Lighting, Inc.**, Pompano
Beach, FL (US)

(**) Term: **14 Years**

(21) Appl. No.: **29/137,792**

(22) Filed: **Feb. 26, 2001**

(51) **LOC (7) Cl.** **13-03**

(52) **U.S. Cl.** **D13/169**

(58) **Field of Search** D8/350, 353; D13/158,
D13/169, 170, 174; 174/66; 200/293, 295,
296, 302.3, 315, 339, 547, 553

(56) **References Cited**

U.S. PATENT DOCUMENTS

D282,462 S	*	2/1986	Hart	D13/160
D310,818 S	*	9/1990	Zaretsky	D13/125
D316,248 S	*	4/1991	Dob	D13/162
D329,635 S	*	9/1992	Tsai	D13/110
D381,635 S	*	7/1997	Krajci et al.	D13/169
D384,038 S	*	9/1997	Ko	D13/162
D437,584 S	*	2/2001	Radosavljevic et al.	...	D13/178

* cited by examiner

Primary Examiner—Ted Shooman

Assistant Examiner—Selina Sikder

(74) *Attorney, Agent, or Firm*—David P. Lhota, Esq.;
Stearns, Weaver, Miller, Weissler, Alhadeff & Sitterson, P.A.

(57) **CLAIM**

The ornamental design for a light switch device, as shown and described herein.

DESCRIPTION

FIG. 1 is a front perspective view of the light switch device showing my new design, it being understood that the broken lines shown are for illustrative purposes only and form no part of the claimed design;

FIG. 2 is a front elevational view thereof;

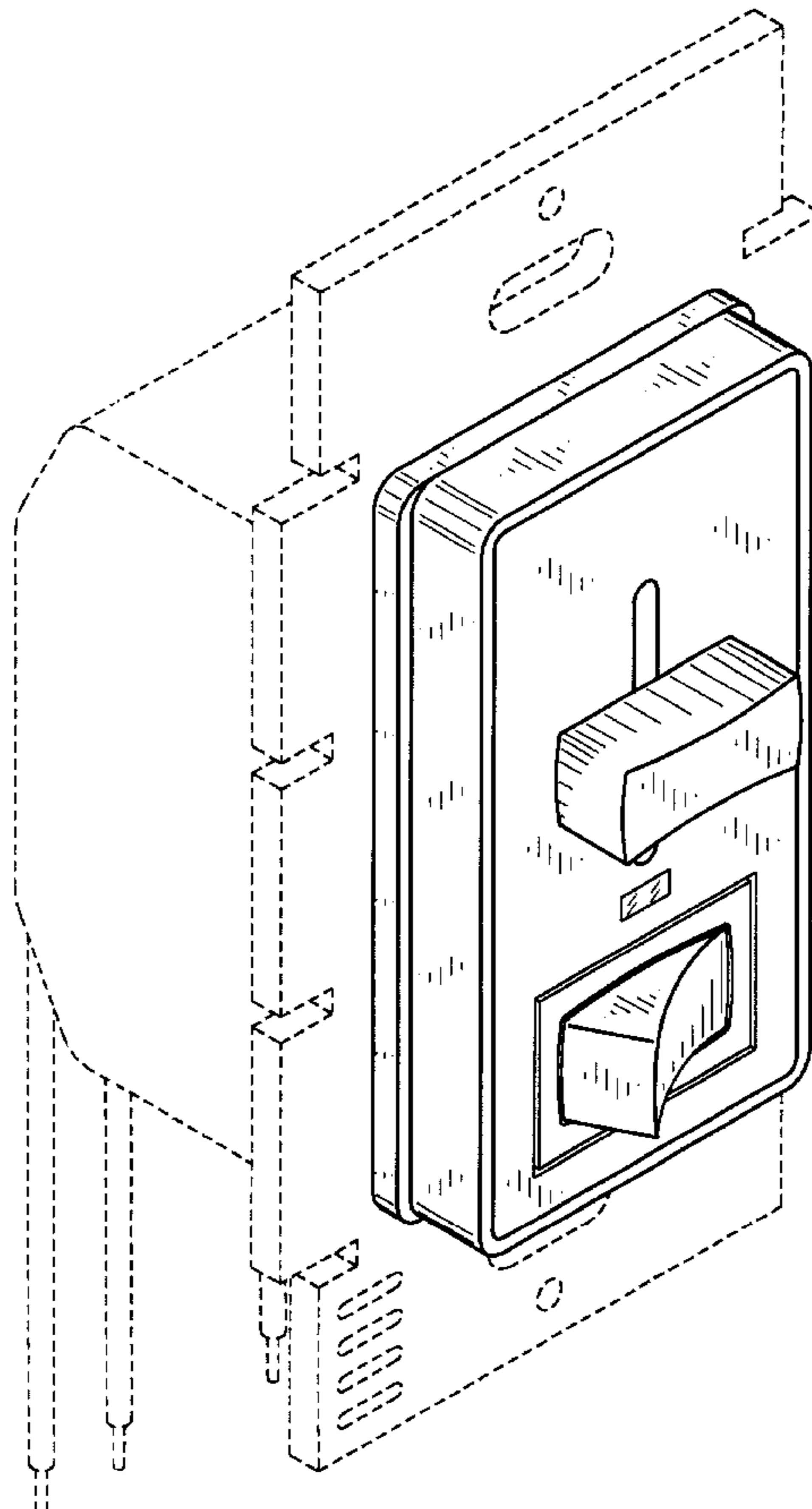
FIG. 3 is a left side elevational view of the light switch device of the instant invention;

FIG. 4 is a right side elevational view of the light switch device of the instant invention;

FIG. 5 is a top elevational view of the light switch device of the instant invention; and,

FIG. 6 is a bottom elevational view of the light switch device of the instant invention.

1 Claim, 2 Drawing Sheets



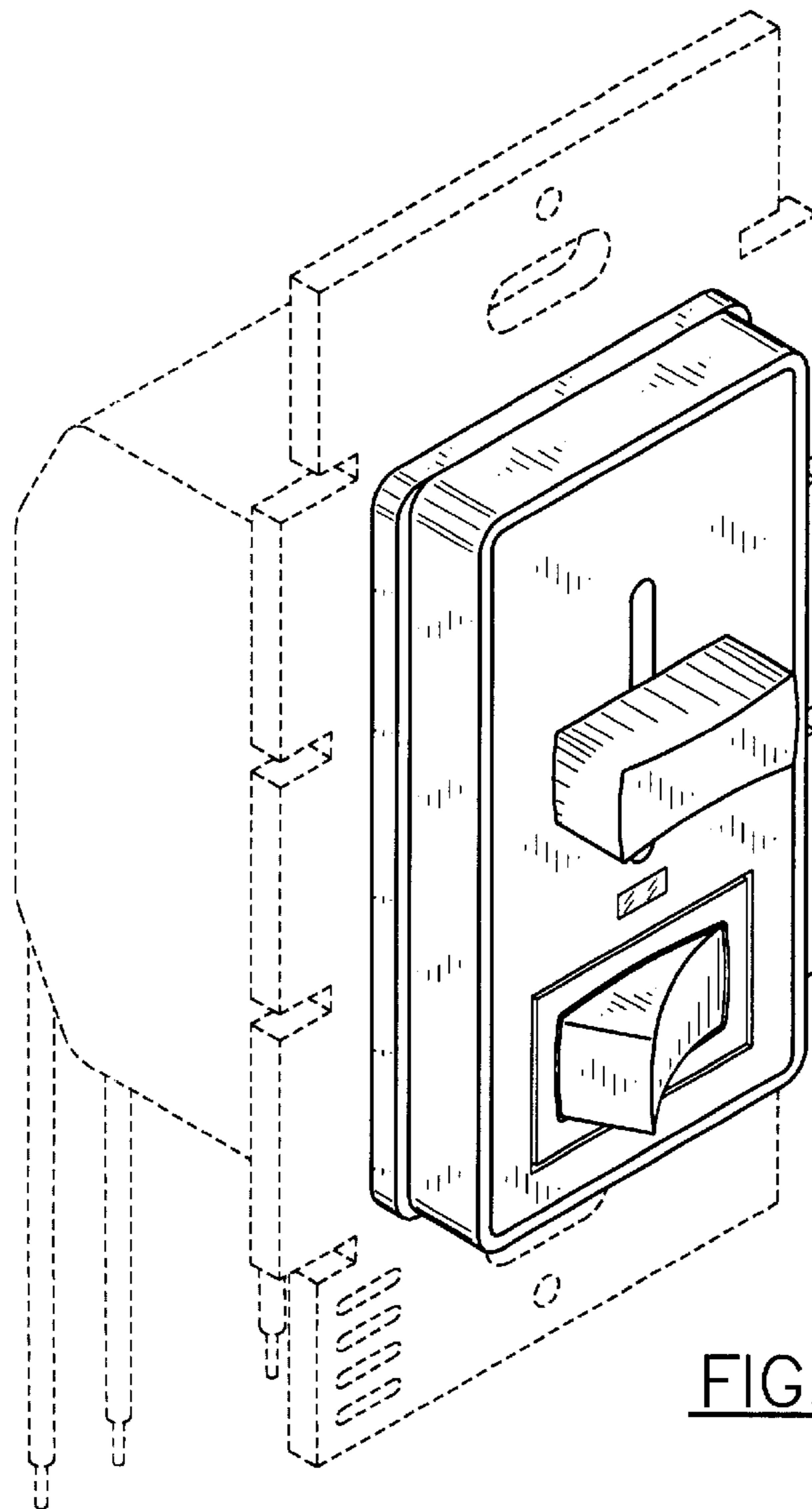


FIG. 1

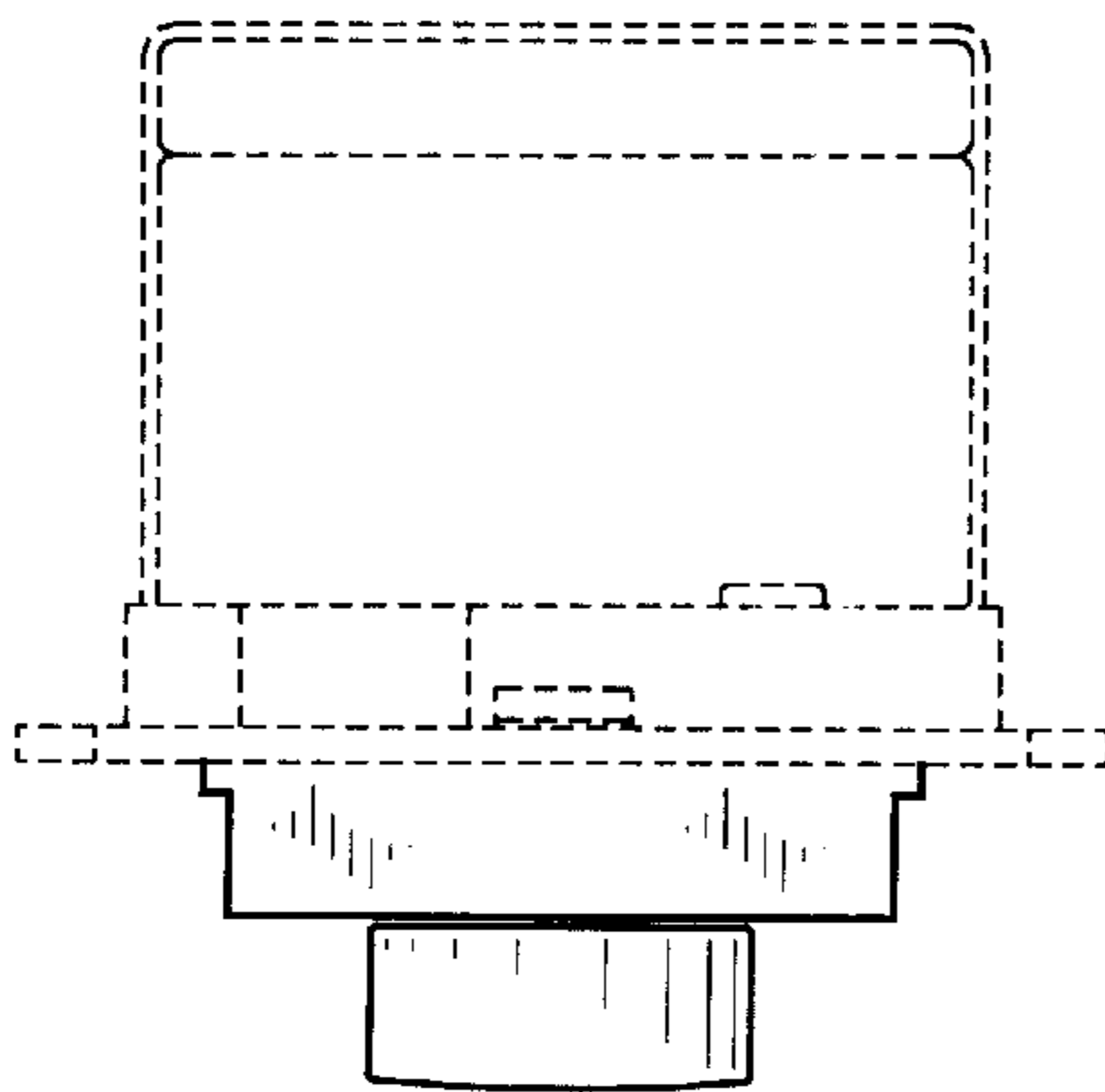


FIG. 5

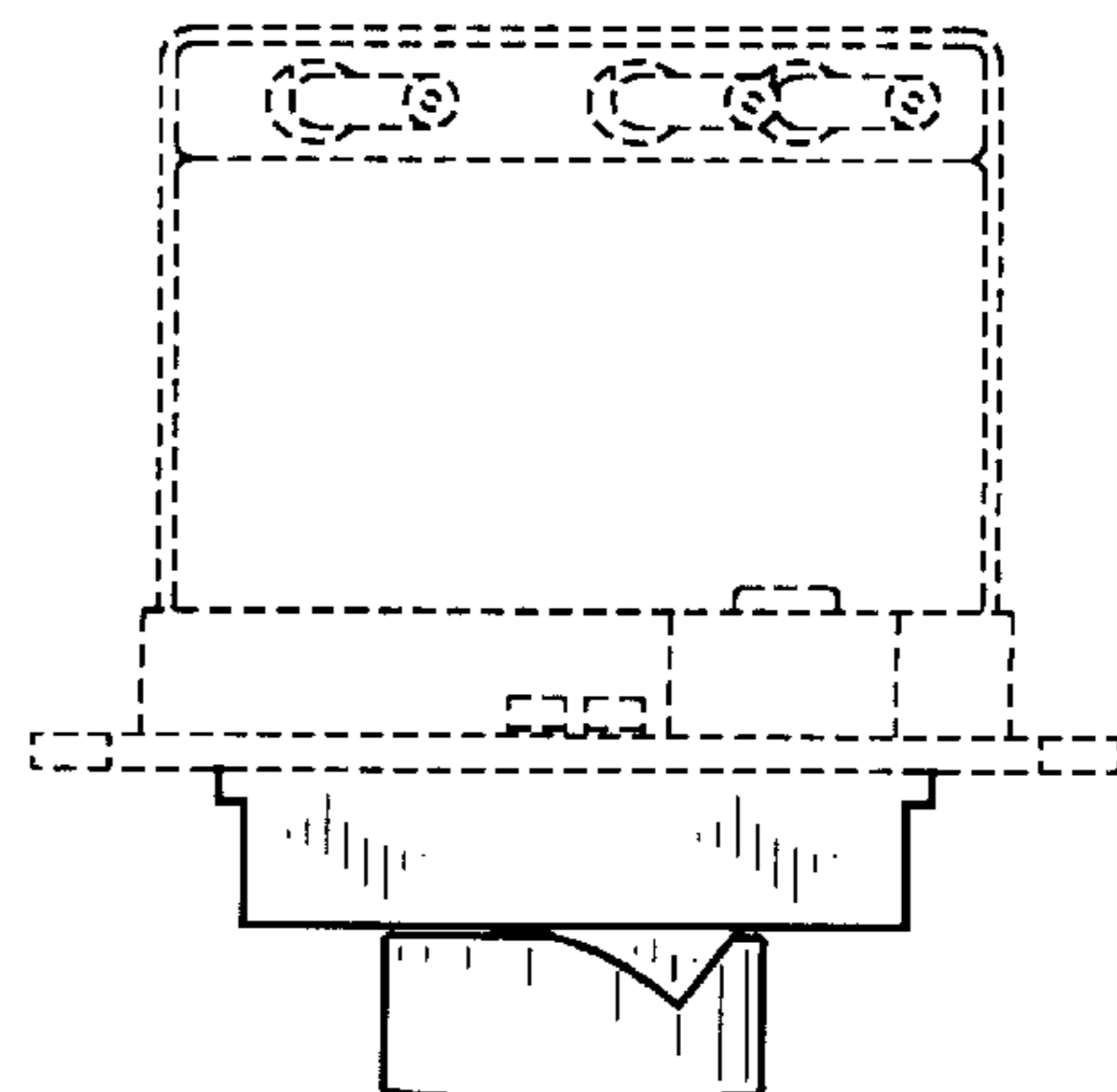


FIG. 6

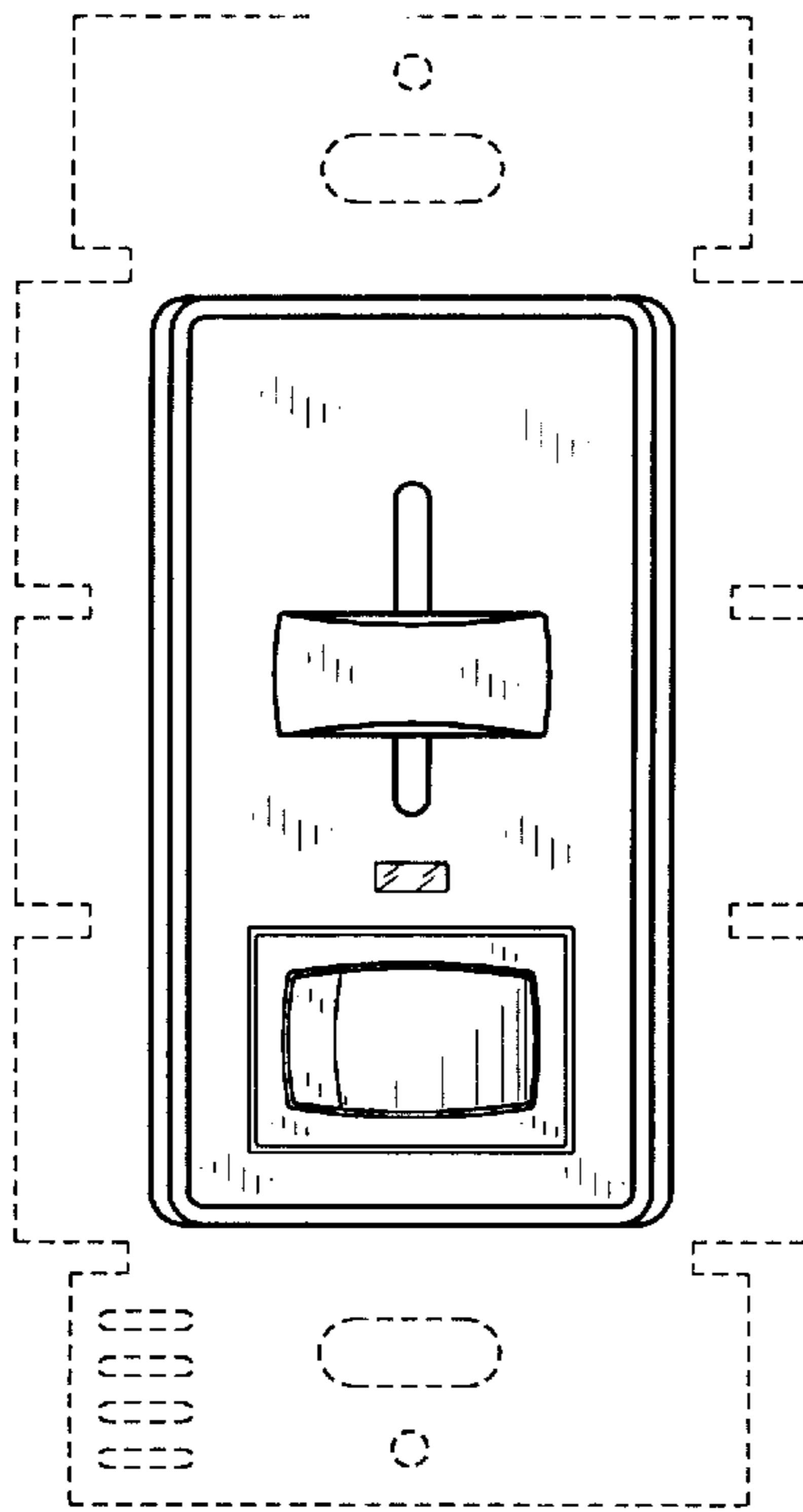


FIG. 2

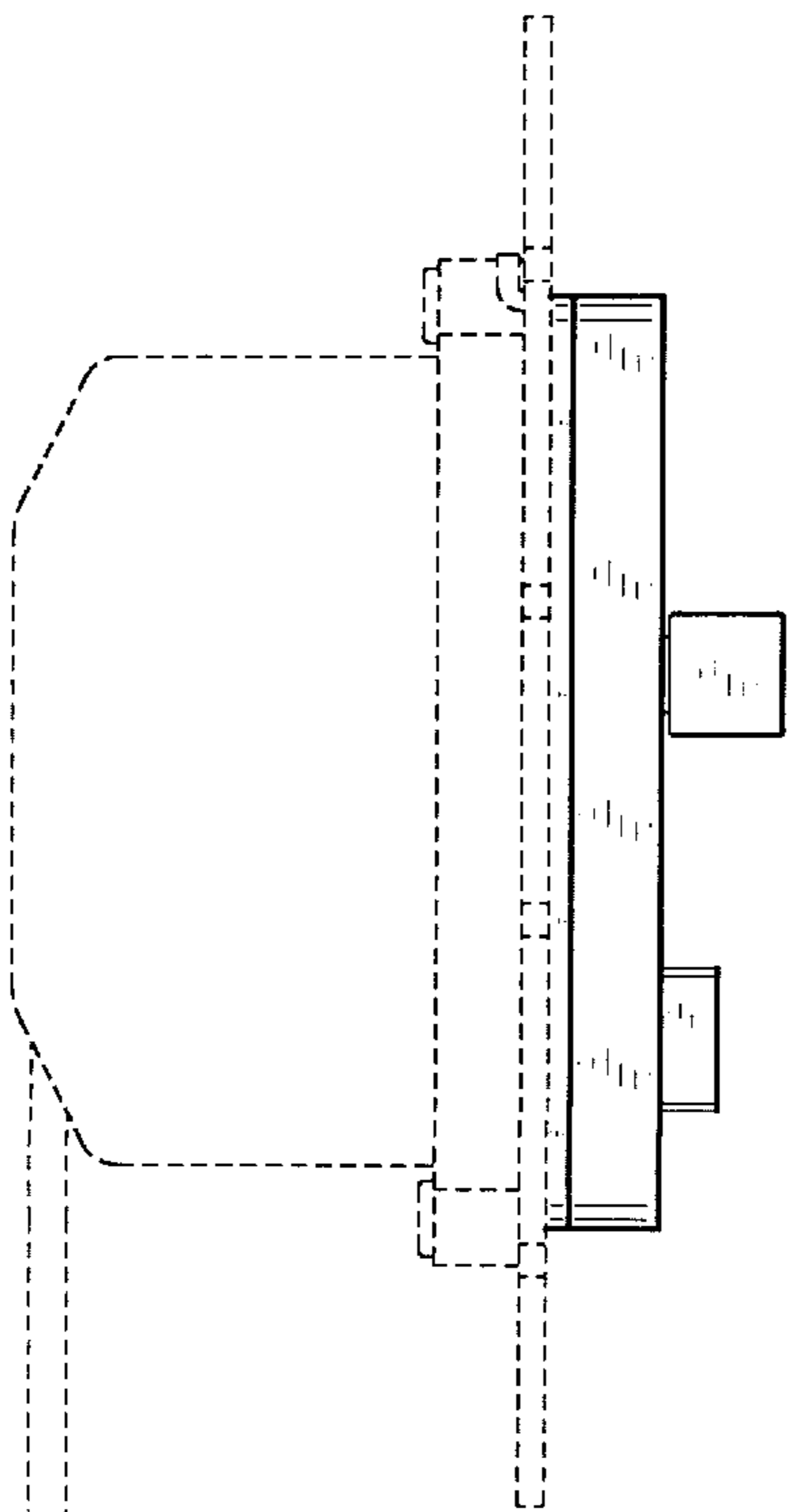


FIG. 3

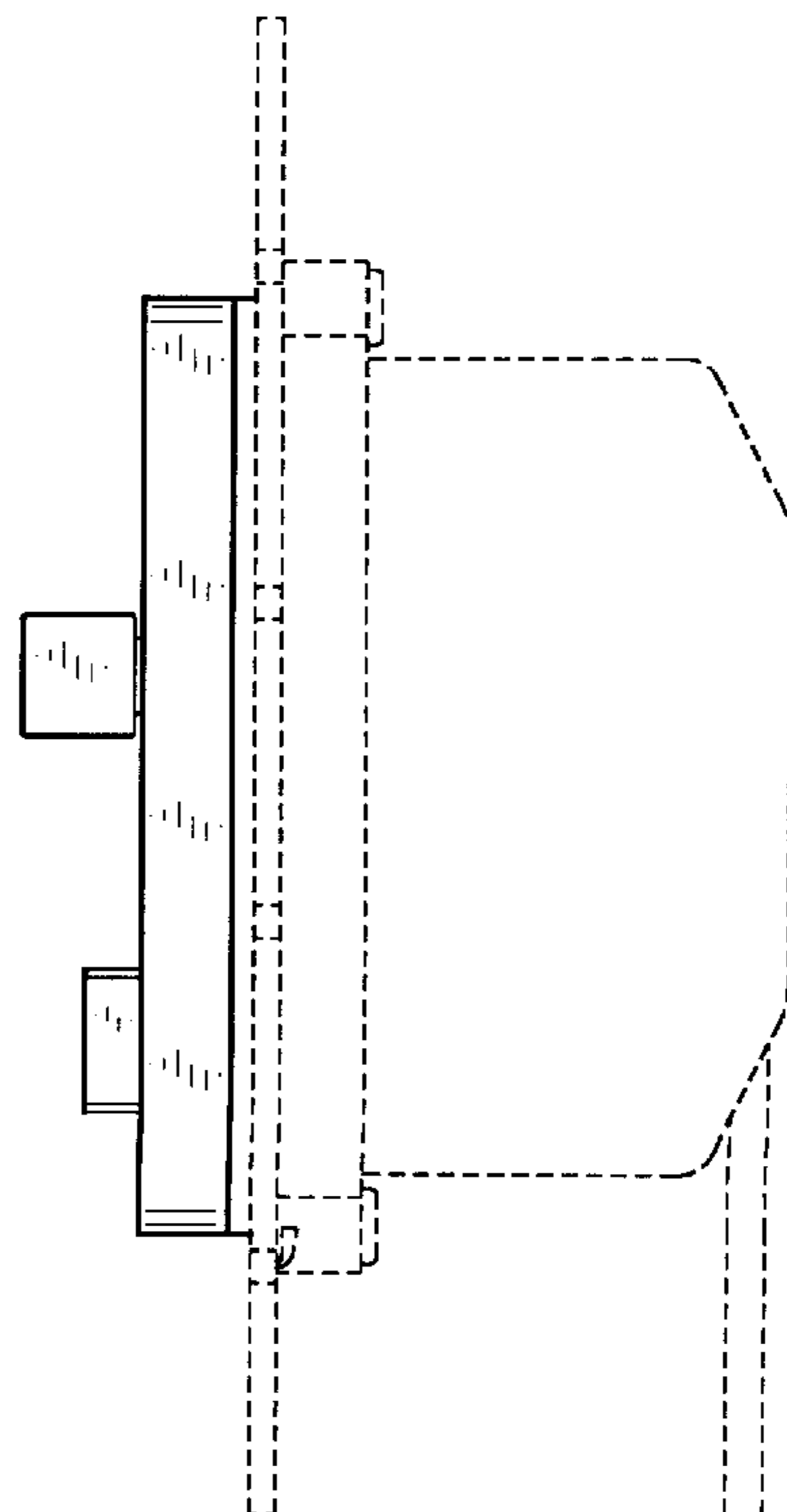


FIG. 4