



US00D457144S

(12) **United States Design Patent**
Suen

(10) **Patent No.:** **US D457,144 S**

(45) **Date of Patent:** **** May 14, 2002**

(54) **ACCESS CONTROL DEVICE**

(75) **Inventor:** **Siu Wah Suen, Causeway Bay (CN)**

(73) **Assignee:** **Integrated Corporation, Central (CN)**

(**) **Term:** **14 Years**

(21) **Appl. No.:** **29/134,620**

(22) **Filed:** **Dec. 26, 2000**

(30) **Foreign Application Priority Data**

Jun. 29, 2000 (HK) 0010849

(51) **LOC (7) Cl.** **13-03**

(52) **U.S. Cl.** **D13/162**

(58) **Field of Search** D10/106; D13/162,
D13/164; D14/218; D21/324; 340/825.22,
825.24, 825.25; 455/151.2, 151.3, 151.4,
352-355

(56) **References Cited**

U.S. PATENT DOCUMENTS

| | | | | | |
|------------|---|---------|-----------------|-------|---------|
| D328,260 S | * | 7/1992 | Loew et al. | | D10/106 |
| D337,757 S | * | 7/1993 | Wu | | D13/184 |
| D363,722 S | * | 10/1995 | Aldridge et al. | | D14/242 |
| D367,859 S | * | 3/1996 | Beaumont et al. | | D14/142 |
| D380,199 S | * | 6/1997 | Beruscha et al. | | D13/184 |
| D390,543 S | * | 2/1998 | Hower et al. | | D14/105 |
| D390,837 S | * | 2/1998 | Hower et al. | | D14/105 |

| | | | | | |
|------------|---|--------|-----------------|-------|---------|
| D391,267 S | * | 2/1998 | Lindeman et al. | | D14/257 |
| D392,644 S | * | 3/1998 | McGugan | | D14/240 |
| D418,822 S | * | 1/2000 | Worley et al. | | D14/356 |
| D436,083 S | * | 1/2001 | Kishita et al. | | D13/168 |
| D447,075 S | * | 8/2001 | Roberts | | D10/106 |

* cited by examiner

Primary Examiner—James Gandy

Assistant Examiner—Selina Sikder

(74) *Attorney, Agent, or Firm*—Alix, Yale & Ristas, LLP

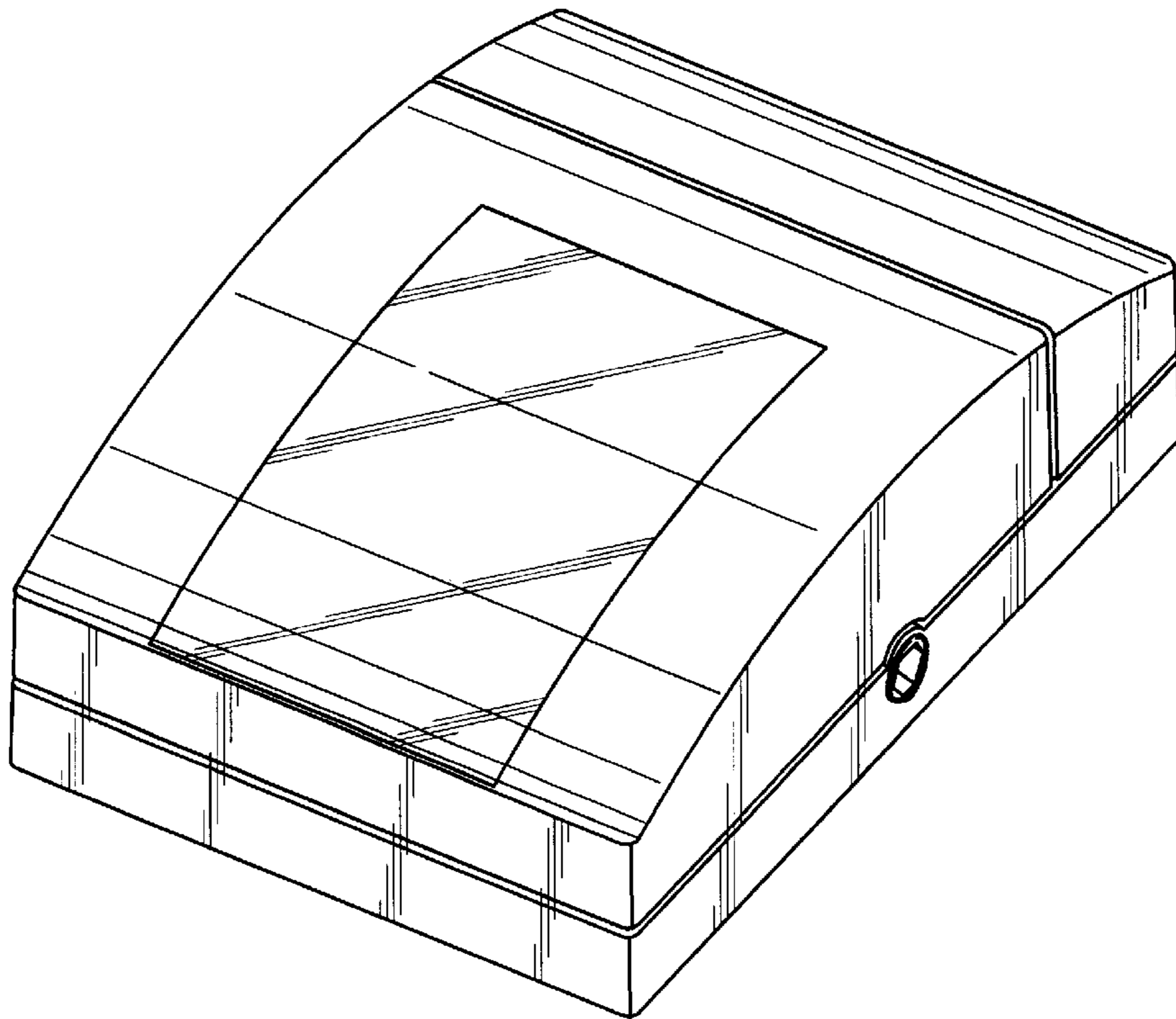
(57) **CLAIM**

The ornamental design for an access control device, as shown and described.

DESCRIPTION

FIG. 1 is a front perspective view of the access control device showing my new design;
 FIG. 2 is a front view of the access control device of FIG. 1;
 FIG. 3 is a rear view of the access control device of FIG. 1;
 FIG. 4 is a left side view of the access control device of FIG. 1;
 FIG. 5 is a right side view of the access control device of FIG. 1;
 FIG. 6 is a top plan view of the access control device of FIG. 1; and,
 FIG. 7 is a bottom plan view of the access control device of FIG. 1.

1 Claim, 3 Drawing Sheets



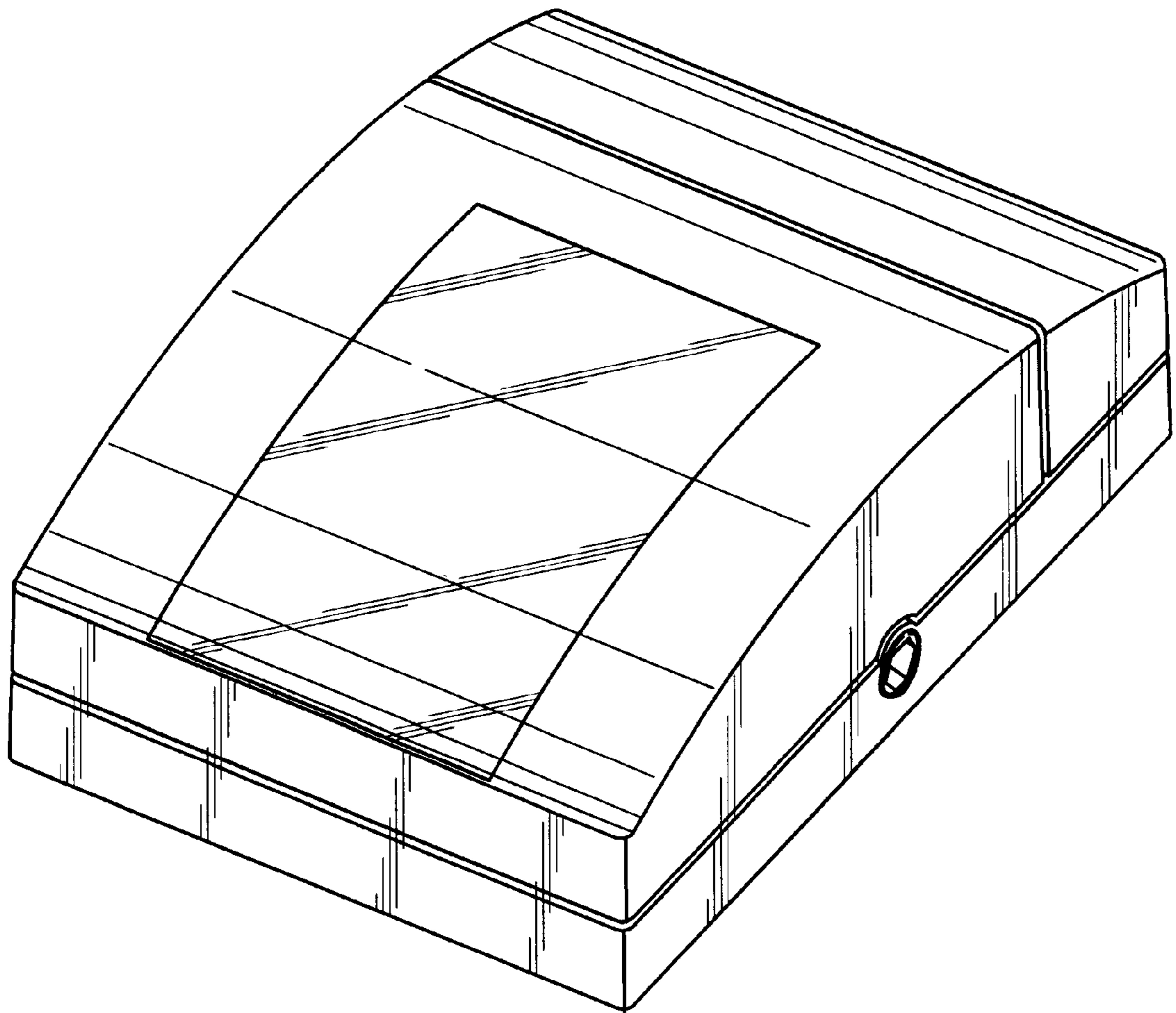


FIG. 1

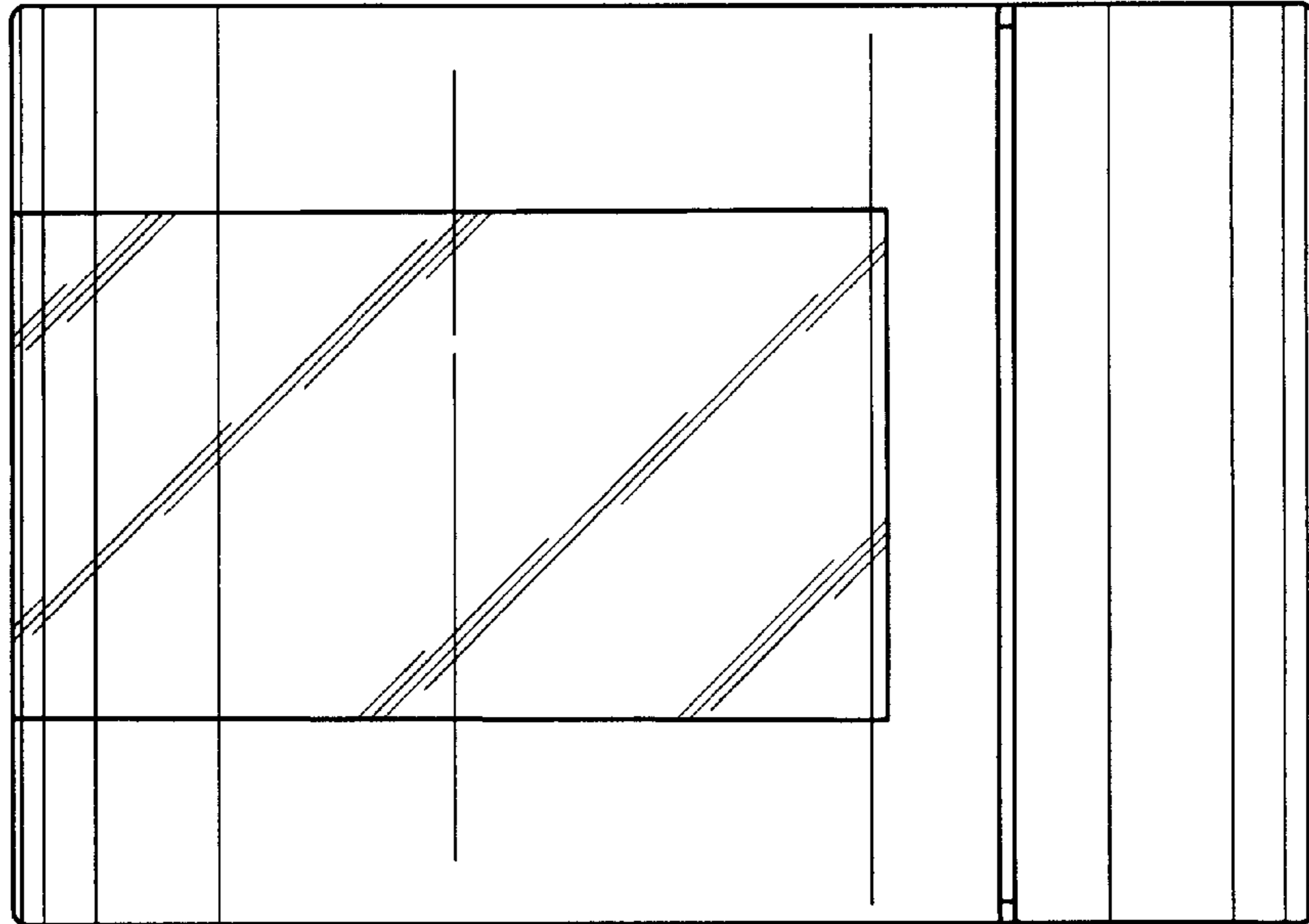


FIG. 2

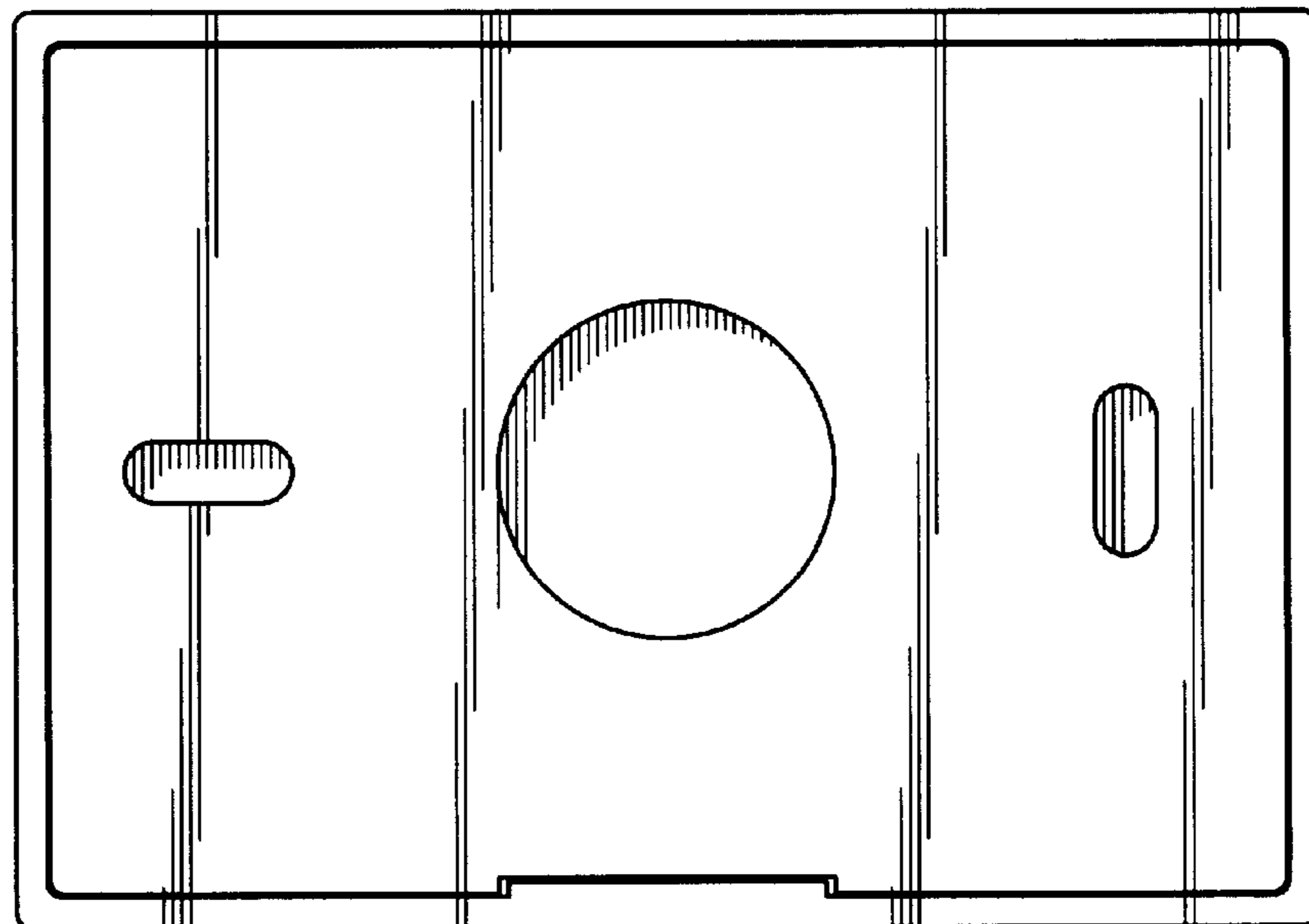


FIG. 3

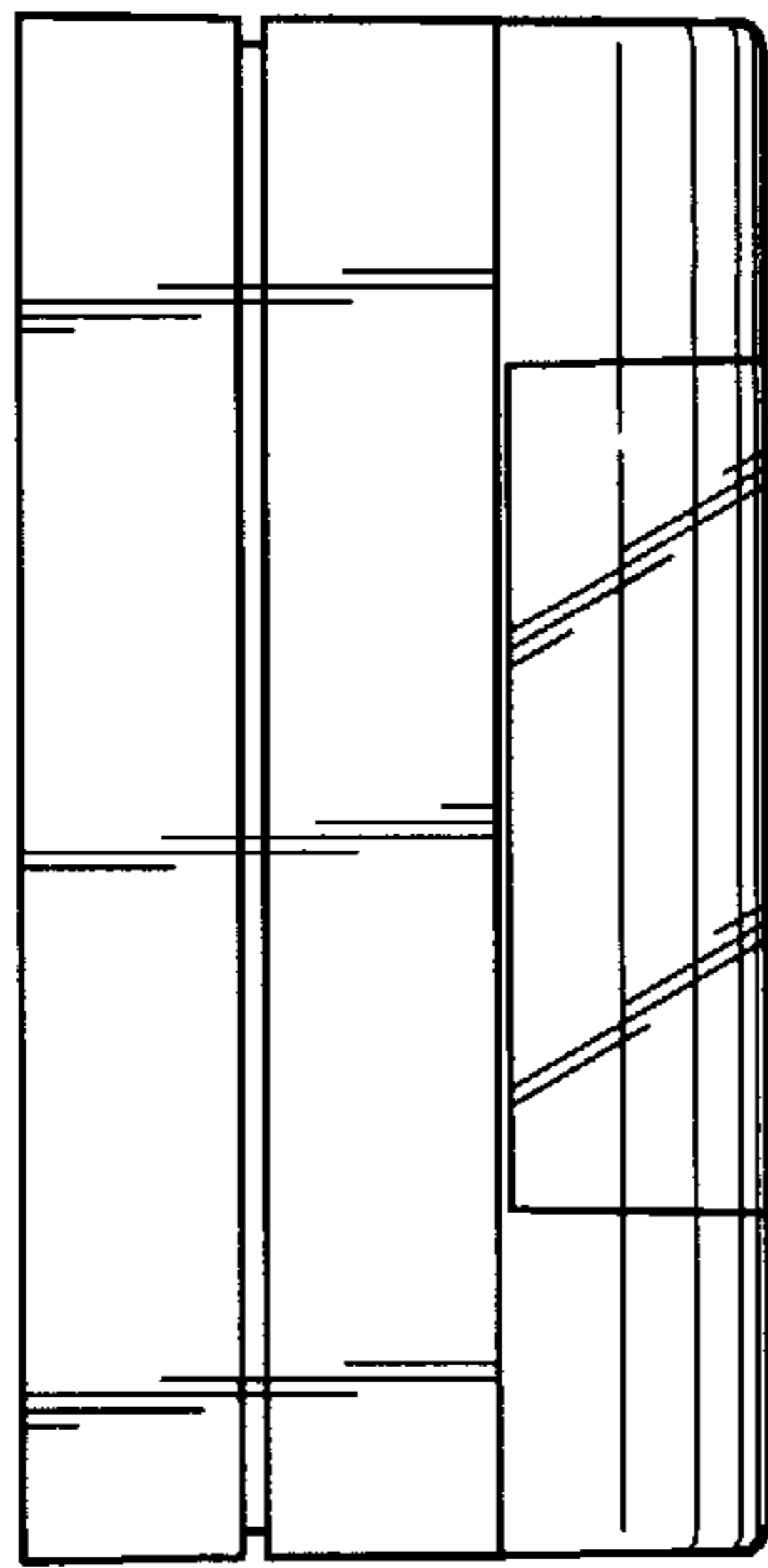


FIG. 4



FIG. 5

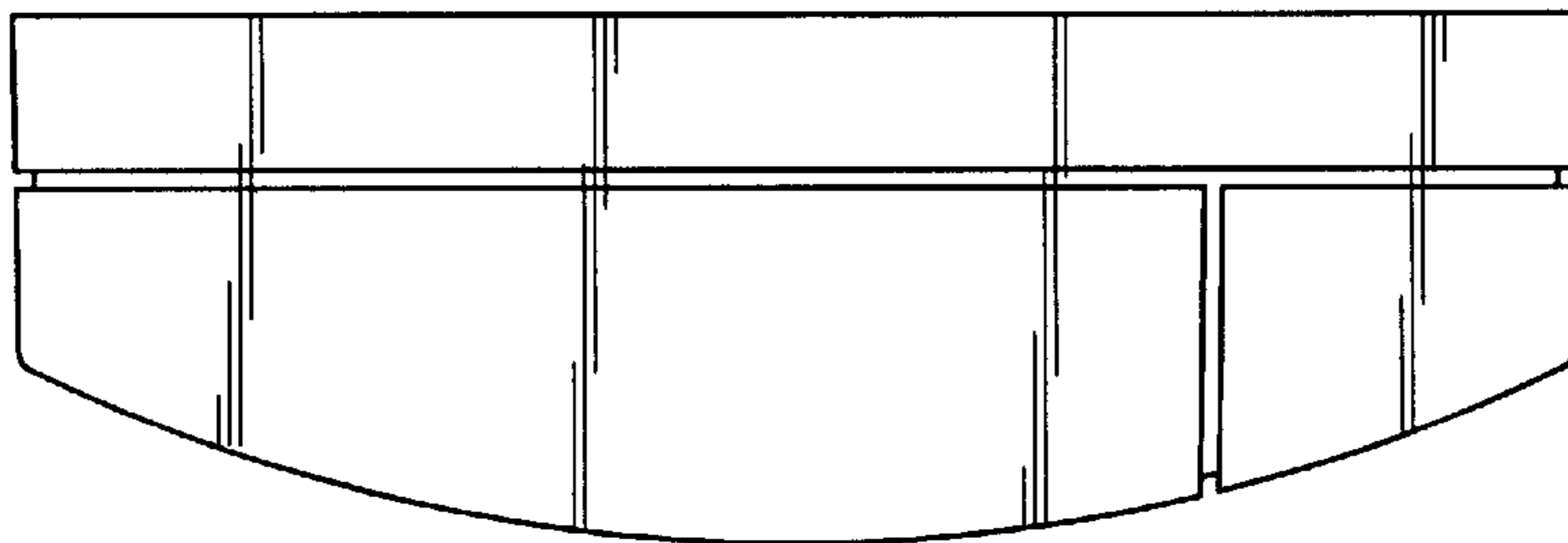


FIG. 6

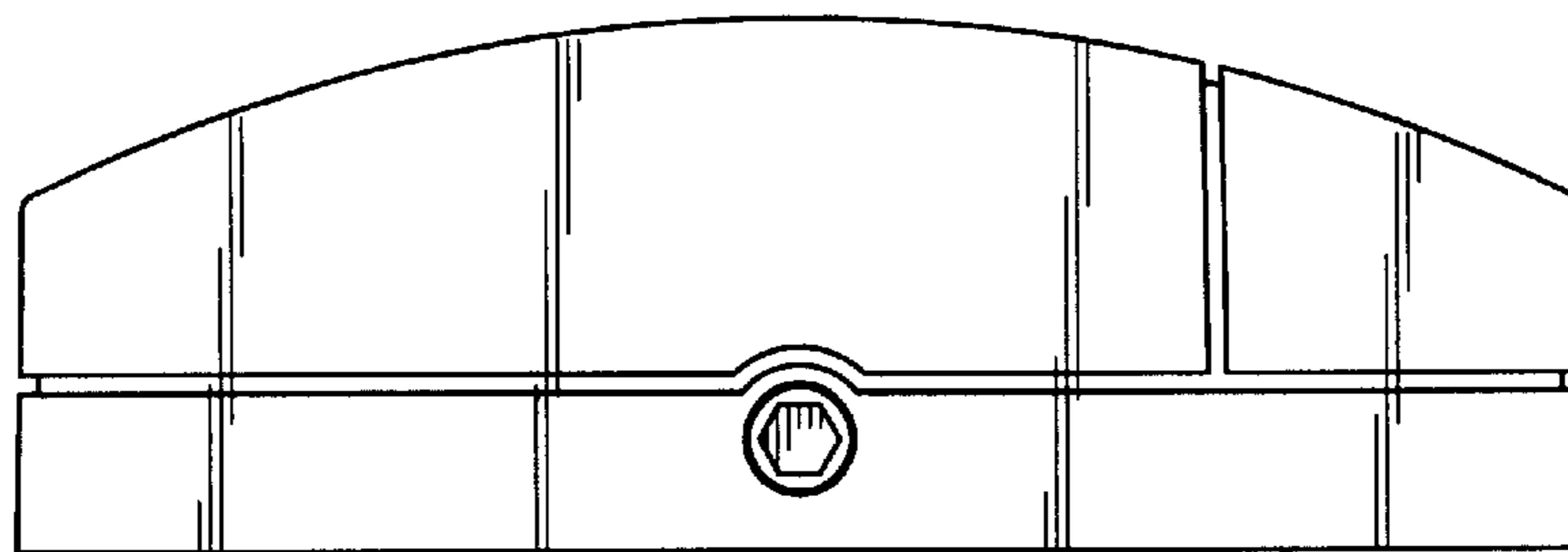


FIG. 7