



US00D457141S

(12) **United States Design Patent**  
**Barlow et al.**

(10) **Patent No.:** **US D457,141 S**

(45) **Date of Patent:** **\*\* May 14, 2002**

(54) **CABLE**

2,963,676 A \* 12/1960 Sneesby et al. .... 439/209  
4,404,425 A \* 9/1983 Rich ..... 174/117 A  
5,367,122 A 11/1994 de Olano

(76) Inventors: **Roger Barlow**, Shoulder of Mutton,  
Sawbridge Road; **Timothy John  
Bramley**, 1 Southview, Sawbridge  
Road, both of Grandborough, Rugby,  
Warwickshire (GB), CV23 8DN

(\*\*) Term: **14 Years**

(21) Appl. No.: **29/129,205**

(22) Filed: **Sep. 8, 2000**

(30) **Foreign Application Priority Data**

Mar. 8, 2000 (GB) ..... 2091200

(51) **LOC (7) Cl.** ..... **13-03**

(52) **U.S. Cl.** ..... **D13/153**

(58) **Field of Search** ..... 52/716.1, 716.8,  
52/716.5, 717.01, 716.6, 287.1, 312; 138/119,  
157; D25/136, 119, 120, 121, 122, 124;  
174/117 R, 259, 256, 68.1, 74 R, 102 R,  
102 SP, 110 R, 117 A, 117 F, 68.3; D13/153;  
439/209

(56) **References Cited**

**U.S. PATENT DOCUMENTS**

2,595,452 A \* 5/1952 Geist et al. .... 174/68.3  
2,788,304 A \* 4/1957 Scovronek ..... 138/157

**FOREIGN PATENT DOCUMENTS**

EP 0094301 11/1983  
GB 963629 7/1964  
GB 992818 5/1965  
GB 2040544 8/1980  
GB 2104715 3/1983

\* cited by examiner

*Primary Examiner*—Jennifer Rivard

(74) *Attorney, Agent, or Firm*—Rider, Bennett, Egan &  
Arundel, LLP

(57) **CLAIM**

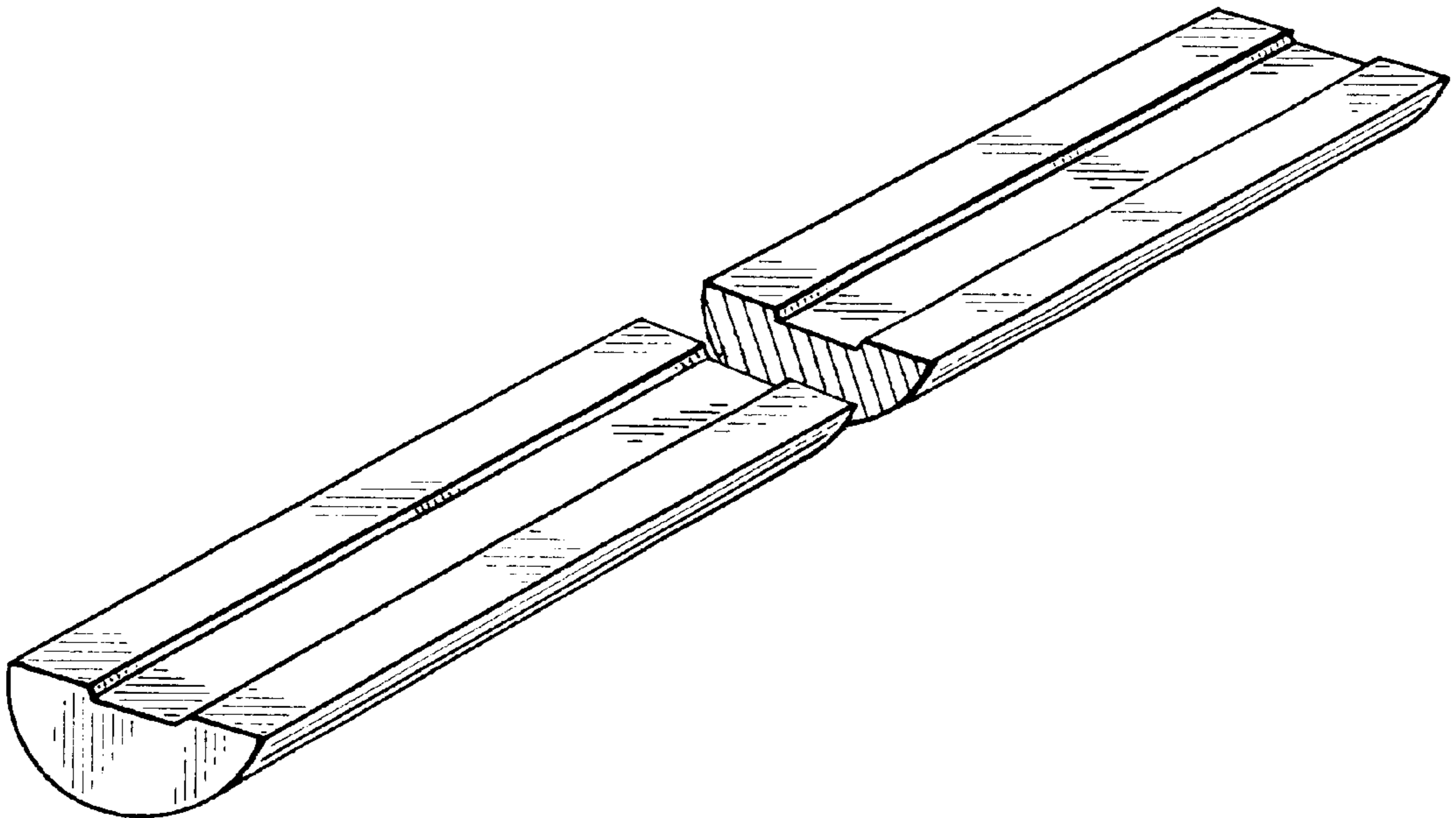
The ornamental design for a cable, as shown and described.

**DESCRIPTION**

FIG. 1 is a top plan view showing our new design;  
FIG. 2 is a bottom plan view;  
FIG. 3 is a side elevational view;  
FIG. 4 is a front elevational view; and,  
FIG. 5 is a top perspective view.

The claimed design is shown broken away to indicate indeterminate length.

**1 Claim, 2 Drawing Sheets**



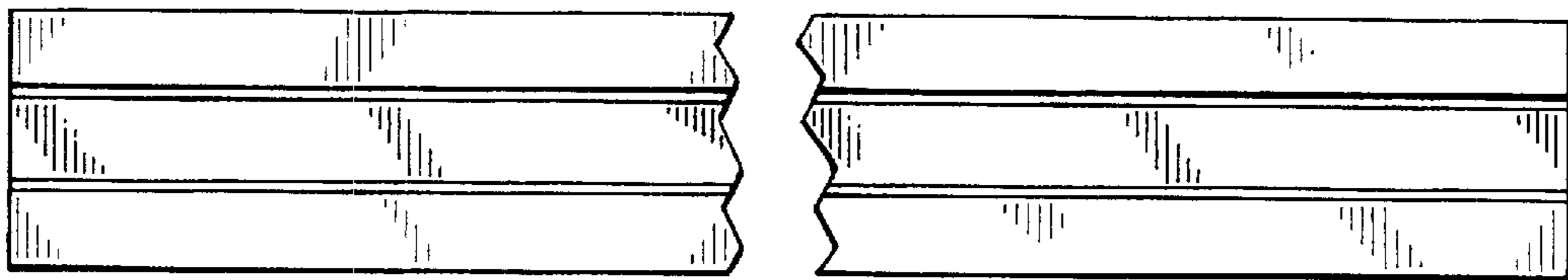


FIG. 1

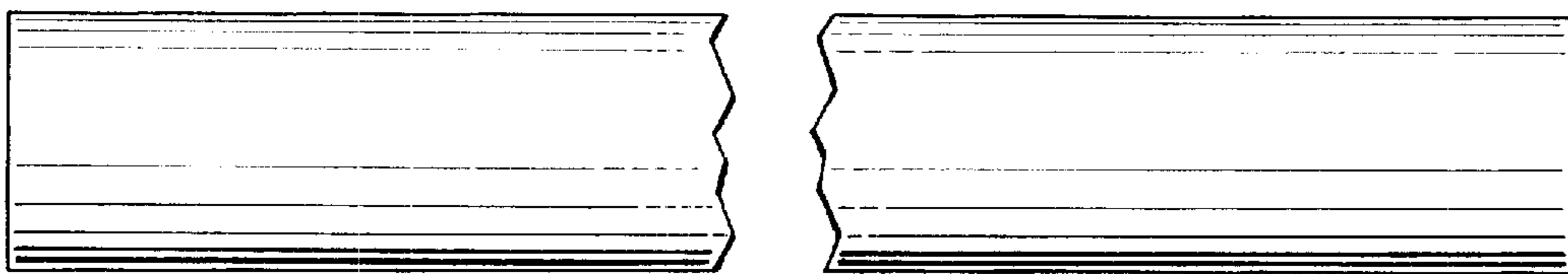


FIG. 2

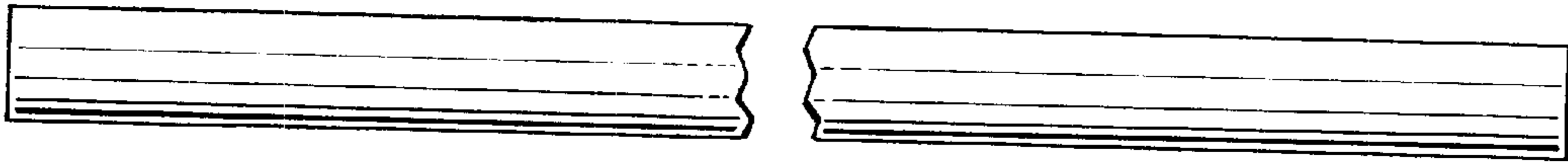


FIG. 3



FIG. 4

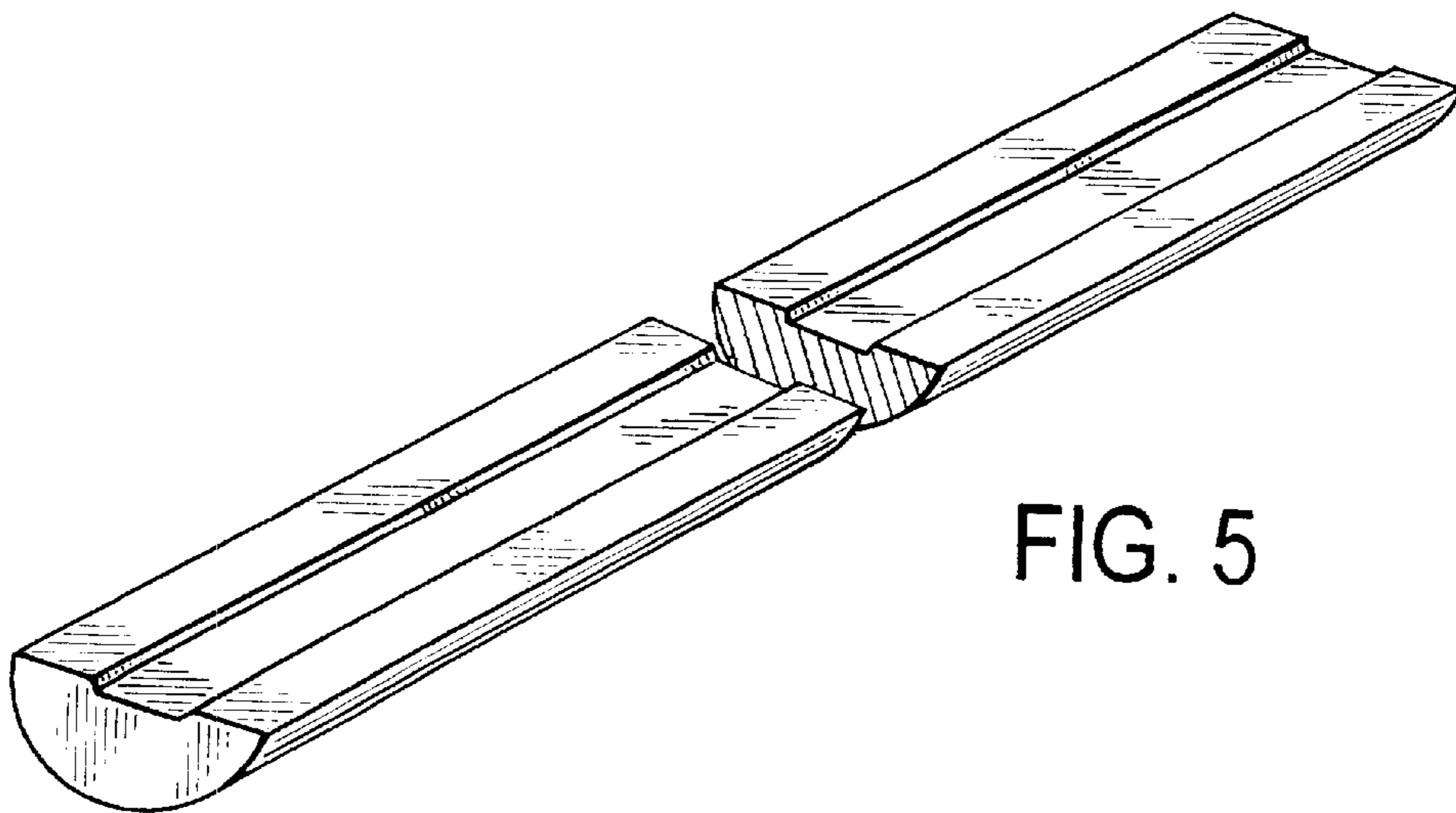


FIG. 5