



US00D457137S

(12) **United States Design Patent** (10) **Patent No.:** **US D457,137 S**
Gershfeld (45) **Date of Patent:** **** May 14, 2002**

(54) **INTERCONNECT ENCLOSURE FOR
COMPUTER AND AUDIO VISUAL
EQUIPMENT CONCEALABLE IN
FURNITURE WITH CIRCULAR BASE
PLATE**

Primary Examiner—Jennifer Rivard
(74) *Attorney, Agent, or Firm*—Vladimir Khiterer

(57) **CLAIM**

The ornamental design for an interconnect enclosure for computer and audio visual equipment concealable in furniture with circular base plate, as shown and described.

(76) **Inventor:** **Jack Gershfeld**, 615 Del Rio Way,
Fullerton, CA (US) 92835

DESCRIPTION

(**) **Term:** **14 Years**

FIG. 1 is a perspective view of an interconnect enclosure for computer and audio visual equipment concealable in furniture with circular base plate in the open position, the left side thereof being the mirror image of the right side thereof shown in FIG. 1. The broken lines are to illustrate an environment only and form no part of the claimed design.

(21) **Appl. No.:** **29/149,879**

(22) **Filed:** **Oct. 19, 2001**

FIG. 2 is a front elevational view thereof in the open position. The broken lines are to illustrate an environment only and form no part of the claimed design.

(51) **LOC (7) Cl.** **13-03**

(52) **U.S. Cl.** **D13/139.4**

(58) **Field of Search** D13/139.4, 139.6–139.8;
439/131, 135, 638, 650–654, 142; 174/48,
49, 53, 58

FIG. 3 is a front elevational view thereof in the concealed position. The broken lines are to illustrate an environment only and form no part of the claimed design; and,

(56) **References Cited**

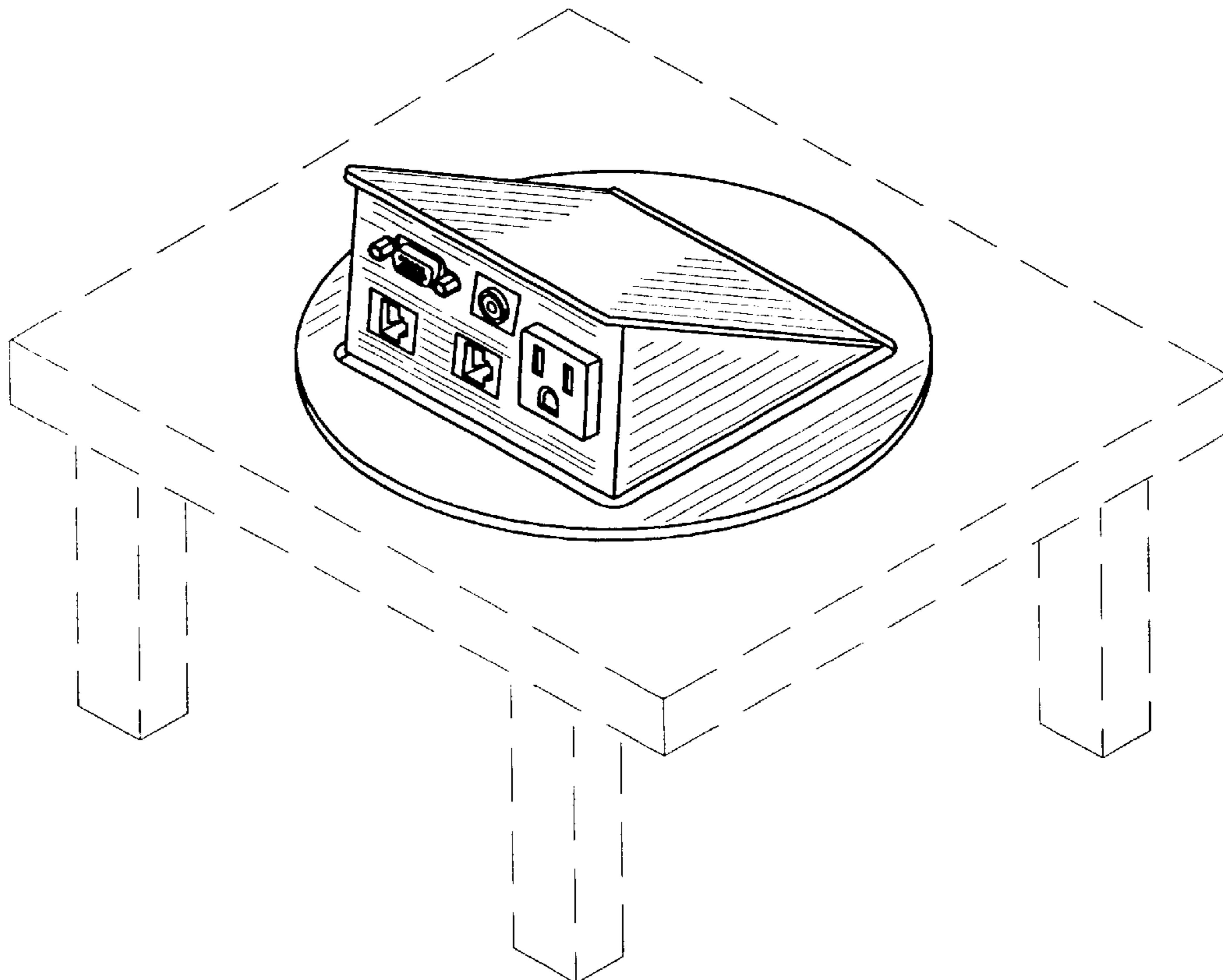
U.S. PATENT DOCUMENTS

- D353,363 S * 12/1994 Toby D13/139.4
- 5,705,772 A * 1/1998 Brown 174/48
- D420,327 S * 2/2000 Byrne D13/139.4

FIG. 4 is a top plan view thereof in the concealed position. The appearance of the bottom form no part of the claimed design.

* cited by examiner

1 Claim, 4 Drawing Sheets



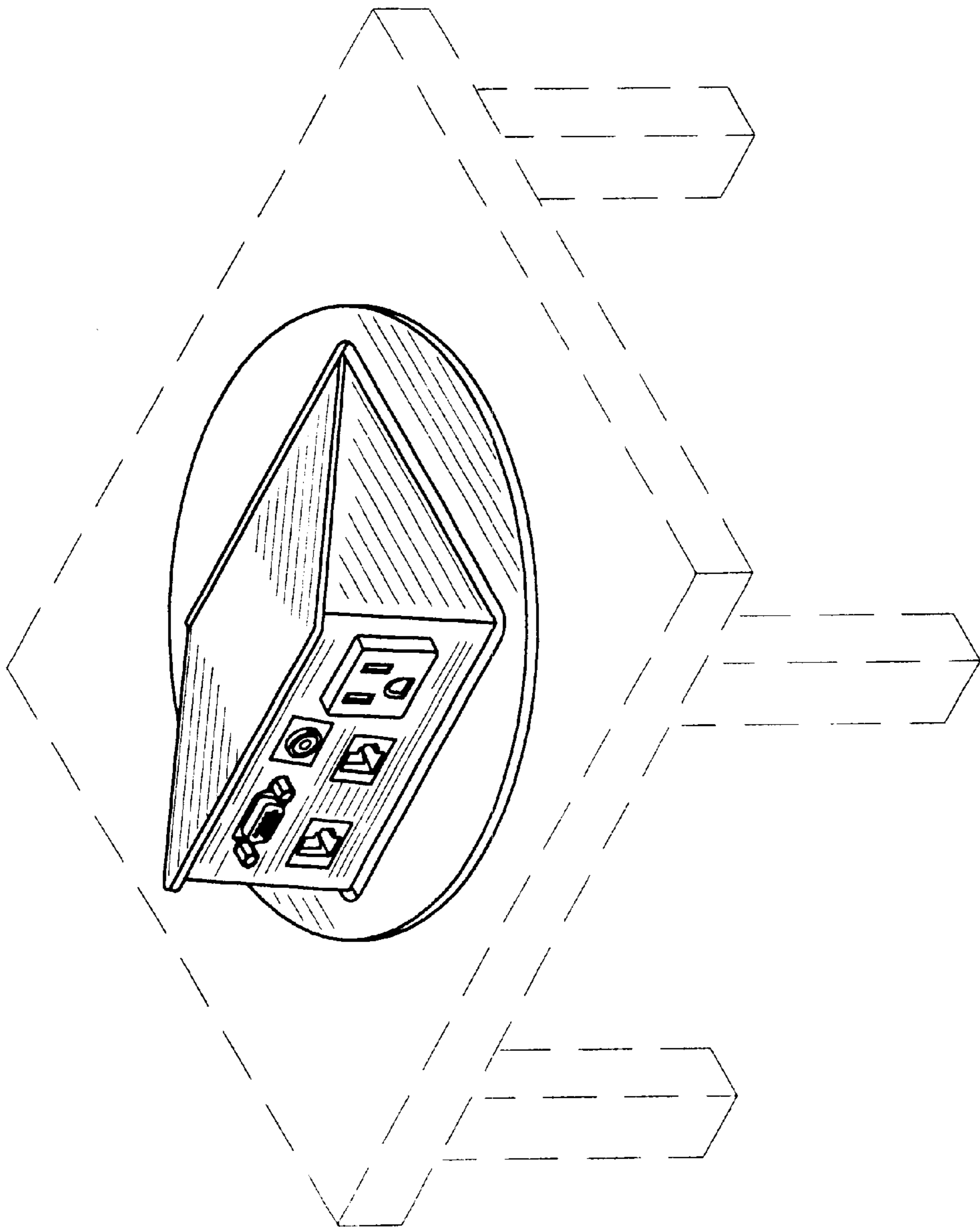


FIG.1

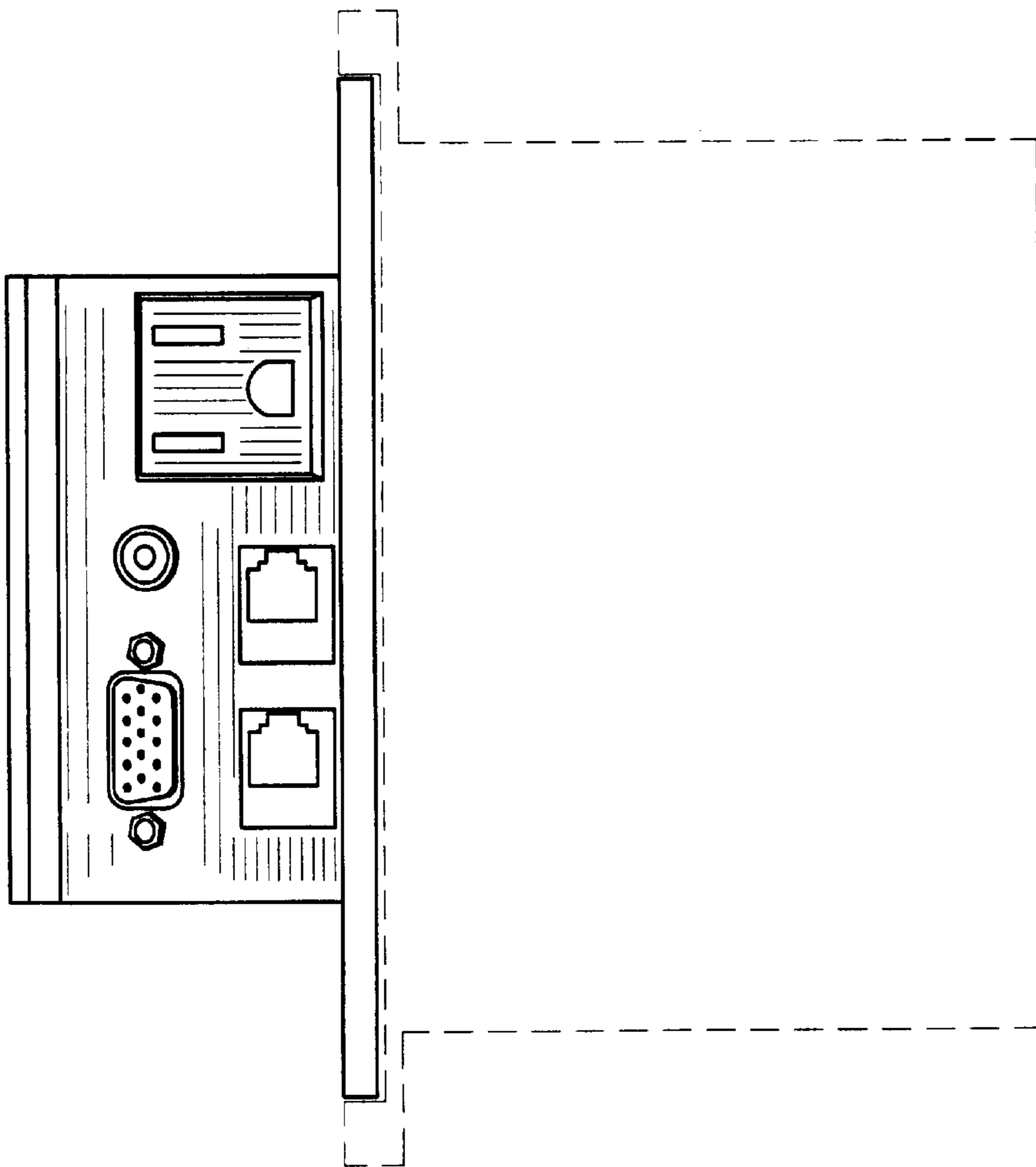


FIG.2

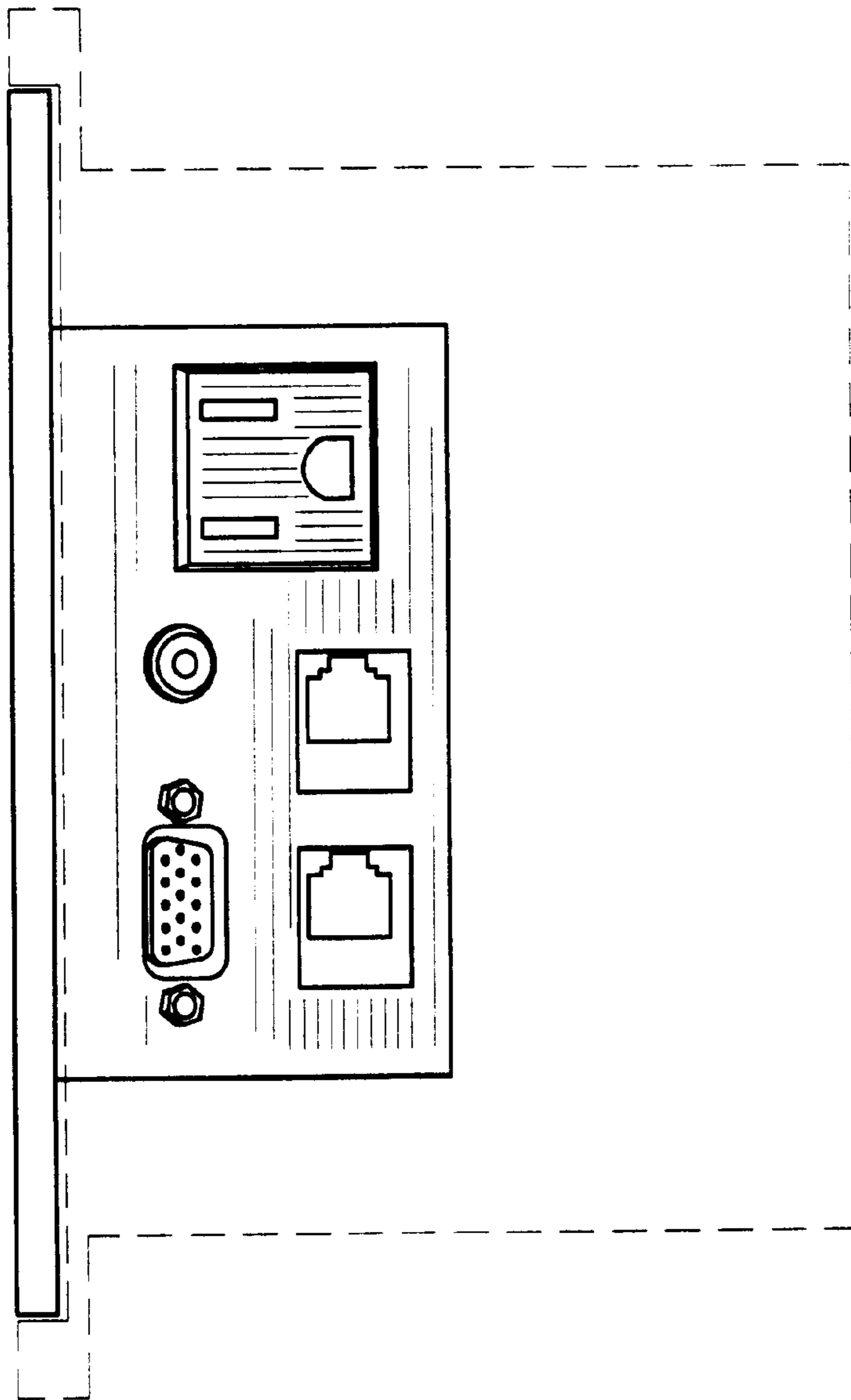


FIG.3

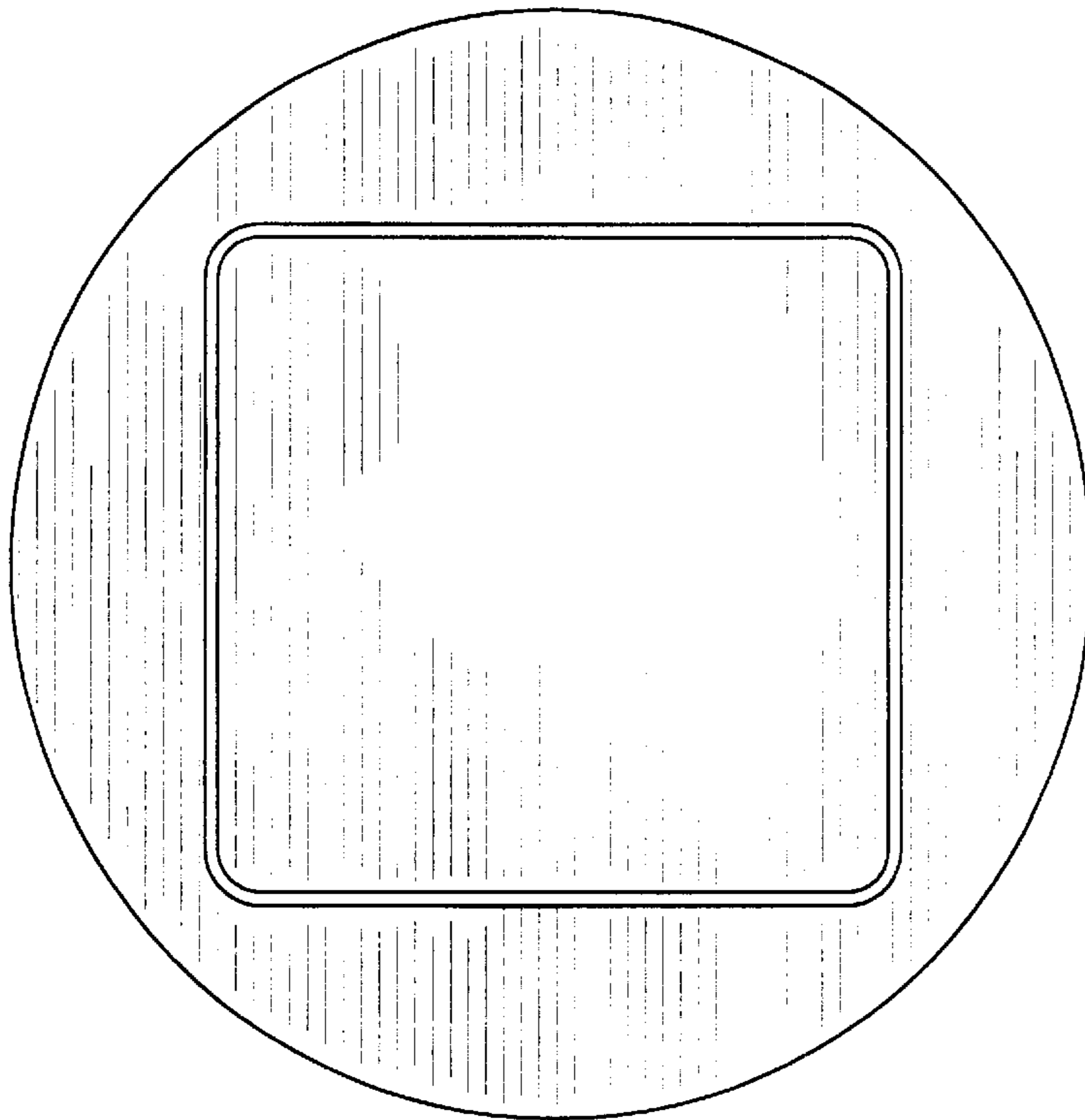


FIG.4