



US00D457135S

(12) **United States Design Patent**
Fong et al.

(10) **Patent No.:** **US D457,135 S**

(45) **Date of Patent:** **** May 14, 2002**

(54) **MODULAR BALLAST HOUSING**
(75) Inventors: **Franklin Fong**, Wheeling; **John O'Rourke**, Downers Grove, both of IL (US)

6,161,947 A 12/2000 Schinsky et al.
6,174,074 B1 1/2001 Lahijani
6,179,655 B1 1/2001 Wozniczka et al.

* cited by examiner

(73) Assignee: **Juno Manufacturing, Inc.**, Des Plaines, IL (US)

Primary Examiner—Joel Sincavage
(74) *Attorney, Agent, or Firm*—Sonnenschein Nath & Rosenthal

(**) Term: **14 Years**

(57) **CLAIM**

(21) Appl. No.: **29/138,871**

The ornamental design for a modular ballast housing, as shown and described.

(22) Filed: **Mar. 21, 2001**

DESCRIPTION

(51) **LOC (7) Cl.** **13-02**
(52) **U.S. Cl.** **D13/110**
(58) **Field of Search** D13/110, 123;
D26/63; 307/64, 150, 151, 157; 363/141;
362/221, 260, 262

FIG. 1 is a perspective view of the bottom left side of the modular ballast housing showing the new design.
FIG. 2 is a right side elevational view of the modular ballast housing shown in FIG. 1.
FIG. 3 is a left side elevational view of the modular ballast housing shown in FIG. 1.
FIG. 4 is a front elevational view of the modular ballast housing shown in FIG. 1.
FIG. 5 is a rear elevational view of the modular ballast housing shown in FIG. 1.
FIG. 6 is a bottom view of the modular ballast housing shown in FIG. 1; and,
FIG. 7 is a top view of the modular ballast housing shown in FIG. 1.

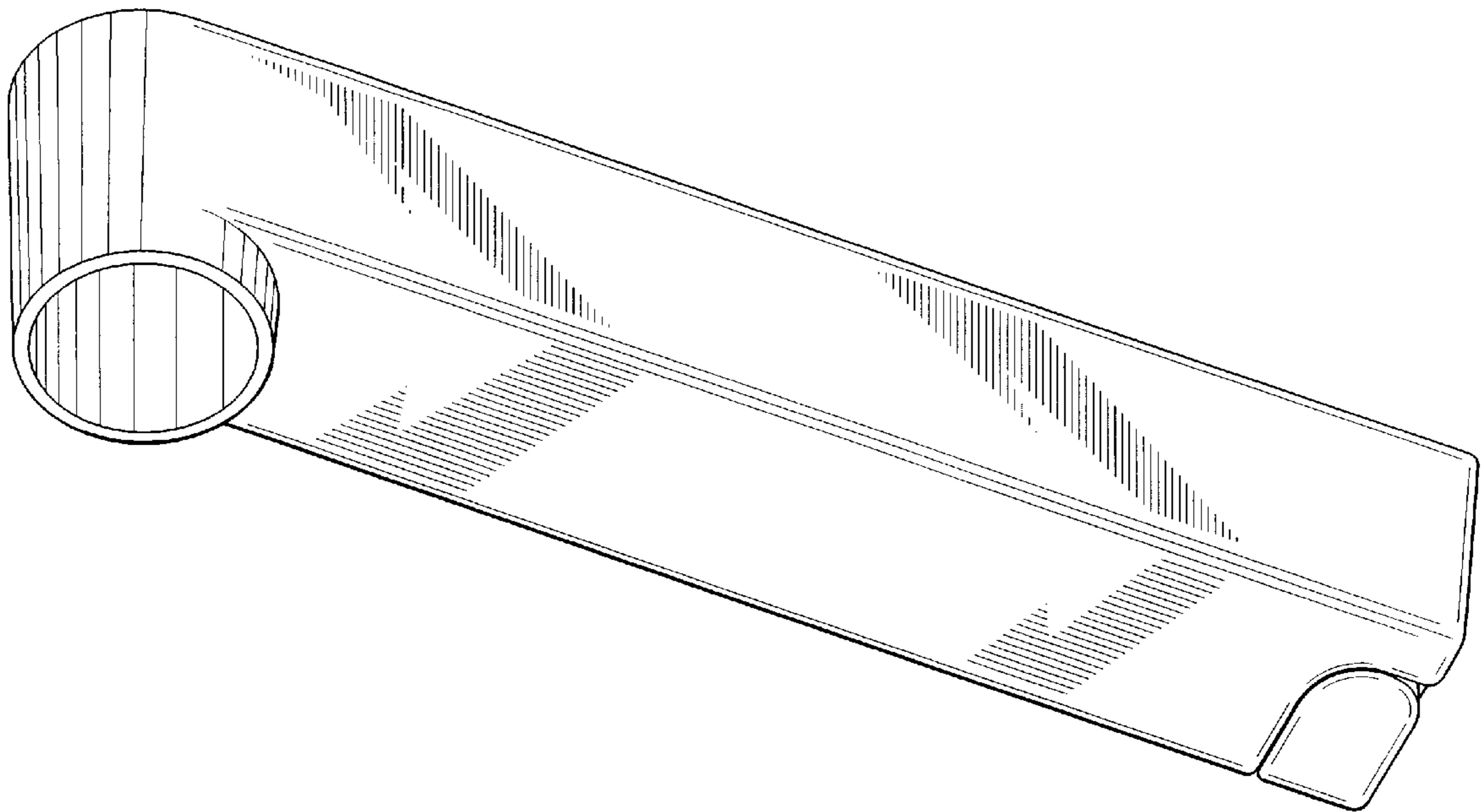
Features shown in dash lines depict the environment and do not form part of the claimed design.

(56) **References Cited**

U.S. PATENT DOCUMENTS

D290,524 S	*	6/1987	Kusmer	D13/110
5,259,774 A		11/1993	Gabrius		
D383,114 S	*	9/1997	Wandler et al.	D13/110
5,720,546 A	*	2/1998	Correll, Jr. et al.	362/221
D392,251 S	*	3/1998	Altman et al.	D13/110
D392,252 S	*	3/1998	Altman et al.	D13/110
D394,241 S	*	5/1998	Wachter et al.	D13/110
D394,424 S	*	5/1998	Wachter	D13/110
5,788,518 A		8/1998	Wachter et al.		
6,102,550 A		8/2000	Edwards, Jr.		

1 Claim, 2 Drawing Sheets



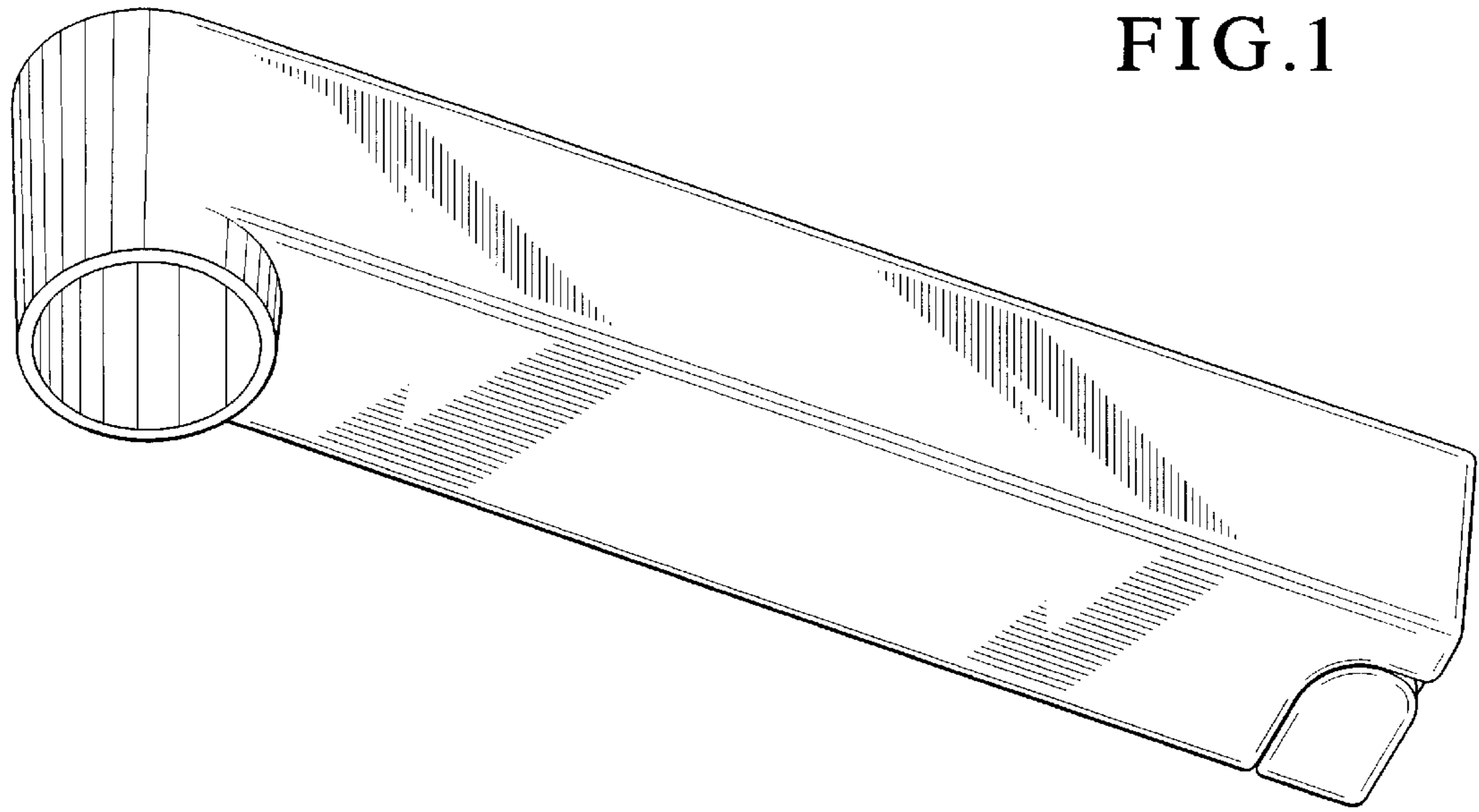


FIG. 1

FIG. 6

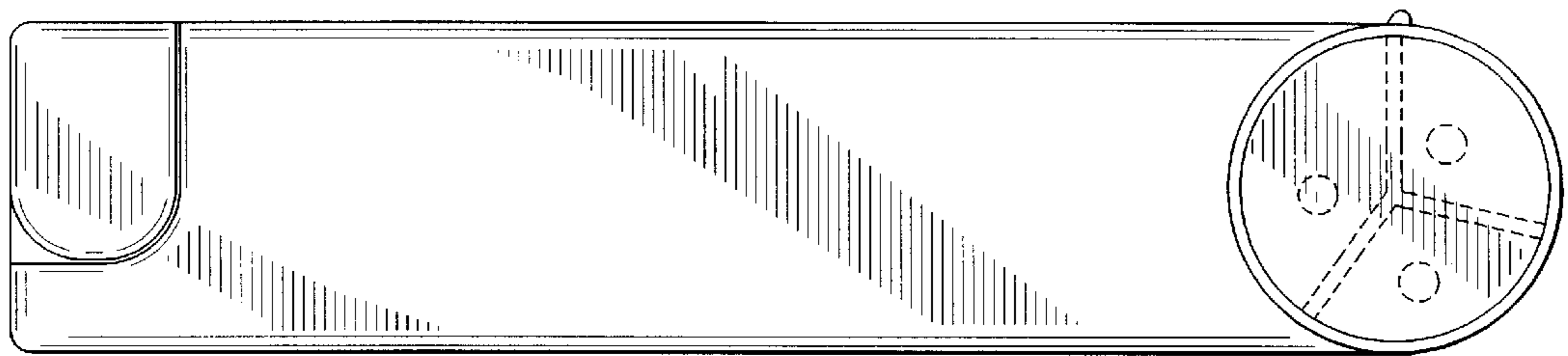


FIG. 7

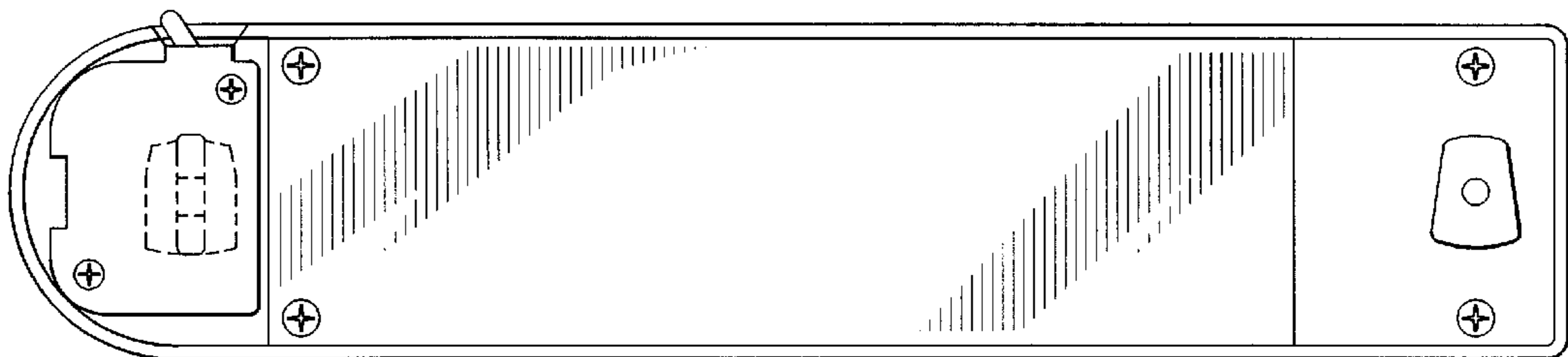


FIG. 2

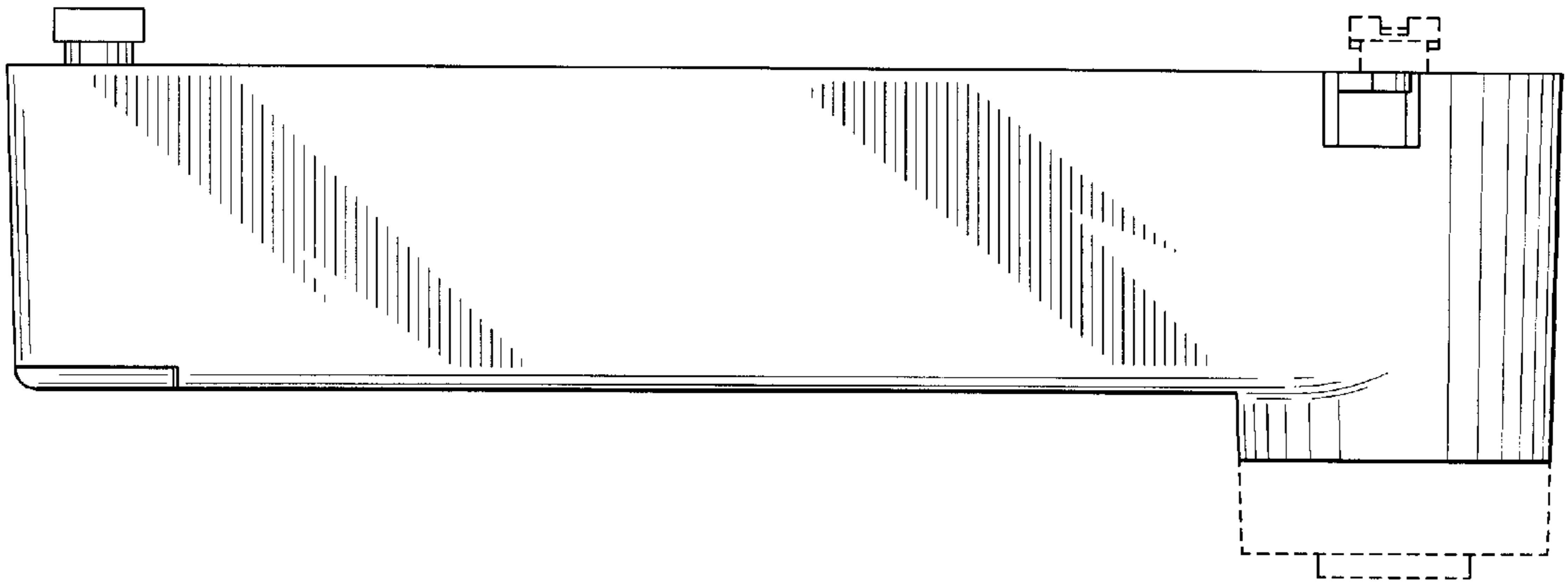


FIG. 3

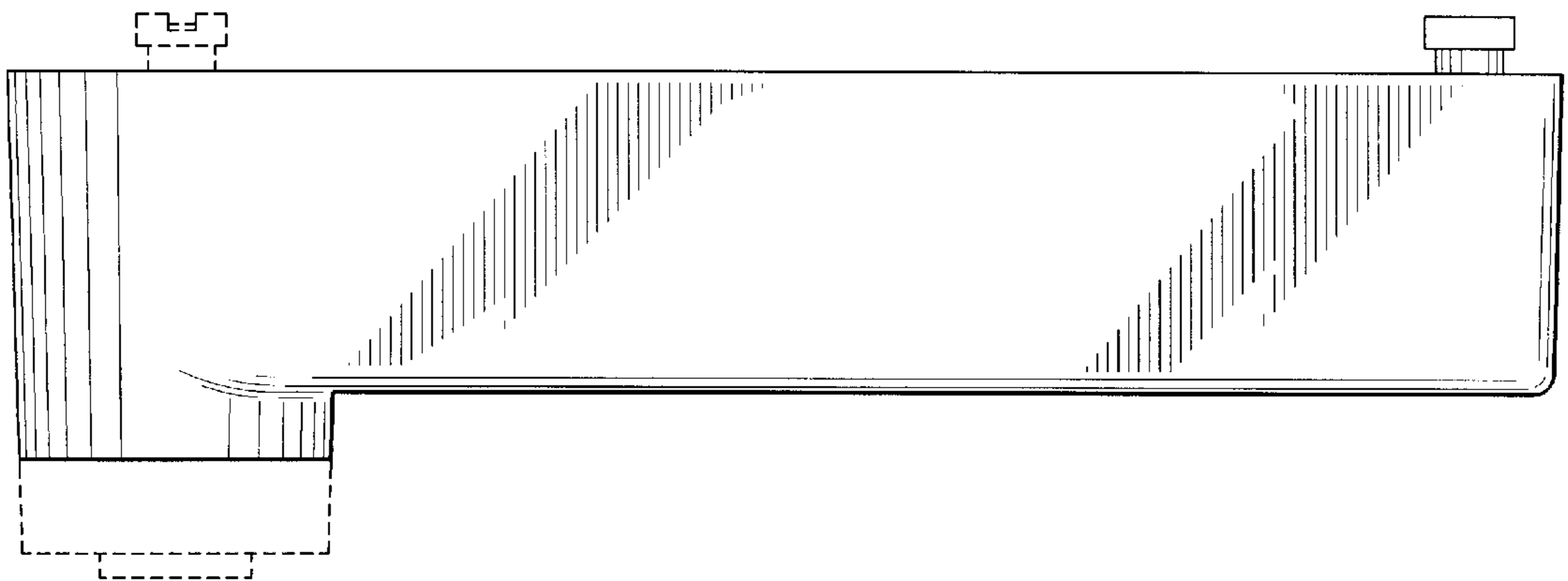


FIG. 4

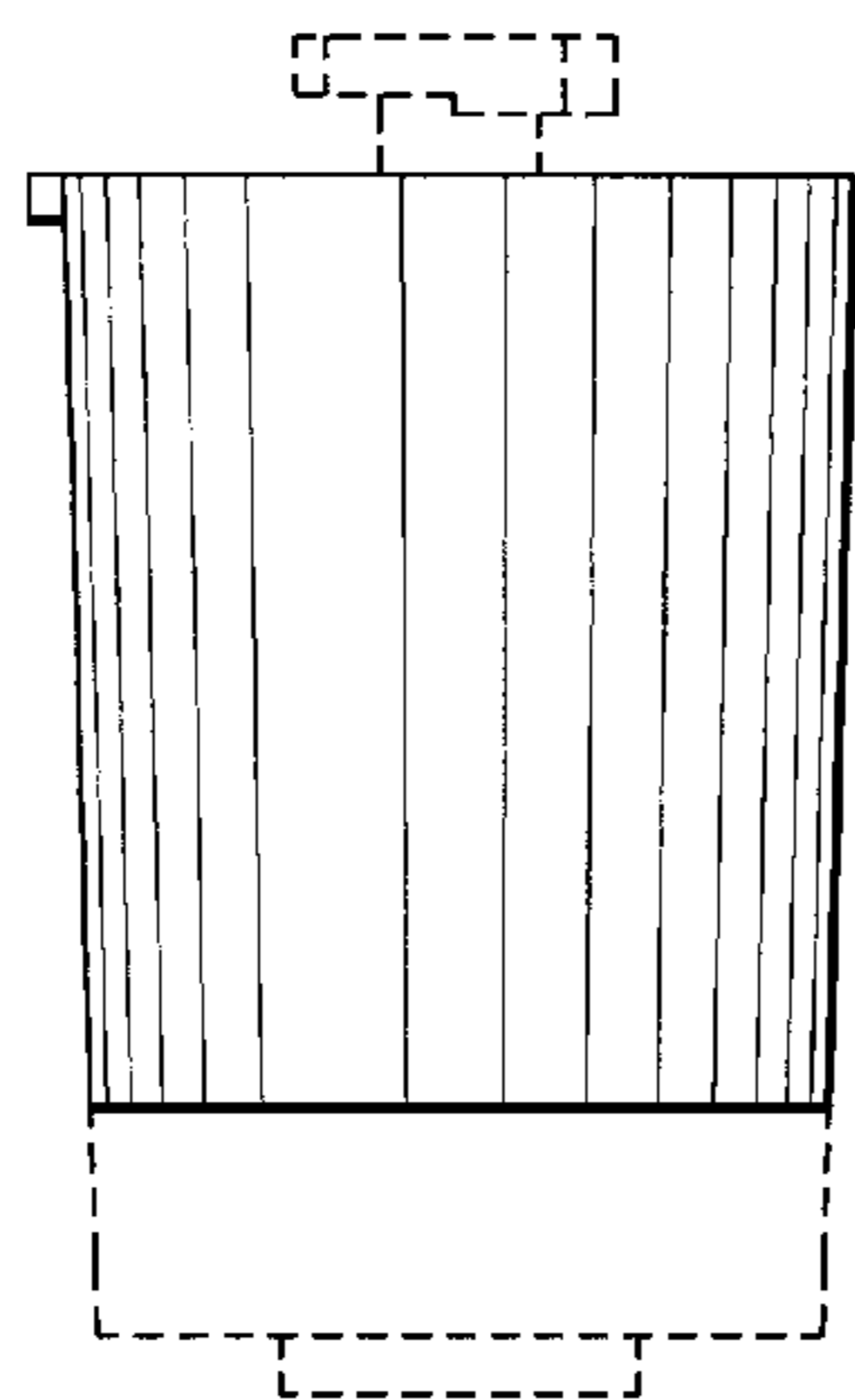


FIG. 5

