



US00D457132S

(12) **United States Design Patent** (10) **Patent No.:** **US D457,132 S**  
**Petherbridge et al.** (45) **Date of Patent:** **\*\* May 14, 2002**

(54) **BATTERY**

(75) Inventors: **Ian T. Petherbridge**, Bognor Regis;  
**Benjamin J. Cullen**, London; **David Cook**, Bracknell, all of (GB)

(73) Assignee: **3M Innovative Properties Company**,  
St. Paul, MN (US)

(\*\*) Term: **14 Years**

(21) Appl. No.: **29/127,311**

(22) Filed: **Aug. 3, 2000**

(51) **LOC (7) Cl.** ..... **13-02**

(52) **U.S. Cl.** ..... **D13/103**

(58) **Field of Search** ..... D13/103, 119;  
429/96-100, 159, 163, 176

U.S. application No. 09/632,142, Cook et al., filed Aug. 3, 2000.

U.S. Design application No. 29/127,310, Petherbridge et al., filed Aug. 3, 2000.

U.S. Design application No. 29/127,308, Wolf et al. al, filed Aug. 3, 2000.

U.S. Design application No. 29/127,317, Petherbridge et al, filed Aug. 3, 2000.

U.S. Design application No. 29/127,314, Legare, filed Aug. 3, 2000.

U.S. Design application No. 29/127,309, Petherbridge et al., filed Aug. 3, 2000.

U.S. Design application No. 29/127,370, Petherbridge et al., filed Aug. 3, 2000.

(List continued on next page.)

(56) **References Cited**

**U.S. PATENT DOCUMENTS**

2,642,061	A	6/1953	Boyer	
4,080,103	A *	3/1978	Bird .....	417/3
4,088,461	A	5/1978	Brauer	
4,971,052	A	11/1990	Edwards	
5,036,844	A	8/1991	Pouchot et al.	
D334,169	S *	3/1993	Antoneczak .....	D13/103
D342,478	S *	12/1993	Brunner et al. ....	D13/103
D367,256	S *	2/1996	Tokunaga .....	D13/103
5,906,203	A	5/1999	Klockseth et al.	
D440,201	S *	4/2001	Huynh et al. ....	D13/103

**FOREIGN PATENT DOCUMENTS**

DE	3818295	A1	7/1989
EP	0 108 560	A1	5/1984
EP	0 164 946	A2	12/1985
EP	0 078 110	B1	5/1986
EP	0 352 938	B1	10/1993
FR	572847		6/1924
WO	WO 83/00632		3/1983
WO	WO 96/29116		9/1996

**OTHER PUBLICATIONS**

Domestic Preparedness—Powered Air Protection for First Responders C420 Mil-Spec PAPR; SCOTT a Scott Technologies Company (dated Sep. 1999) (a four page brochure).

*Primary Examiner*—Joel Sincavage

(74) *Attorney, Agent, or Firm*—Michaele A. Hakamaki

(57) **CLAIM**

The ornamental design for a battery, as shown and described.

**DESCRIPTION**

FIG. 1 is a perspective view of a battery, showing the new design.

FIG. 2 is a top view thereof.

FIG. 3 is a bottom view thereof.

FIG. 4 is a left side view thereof.

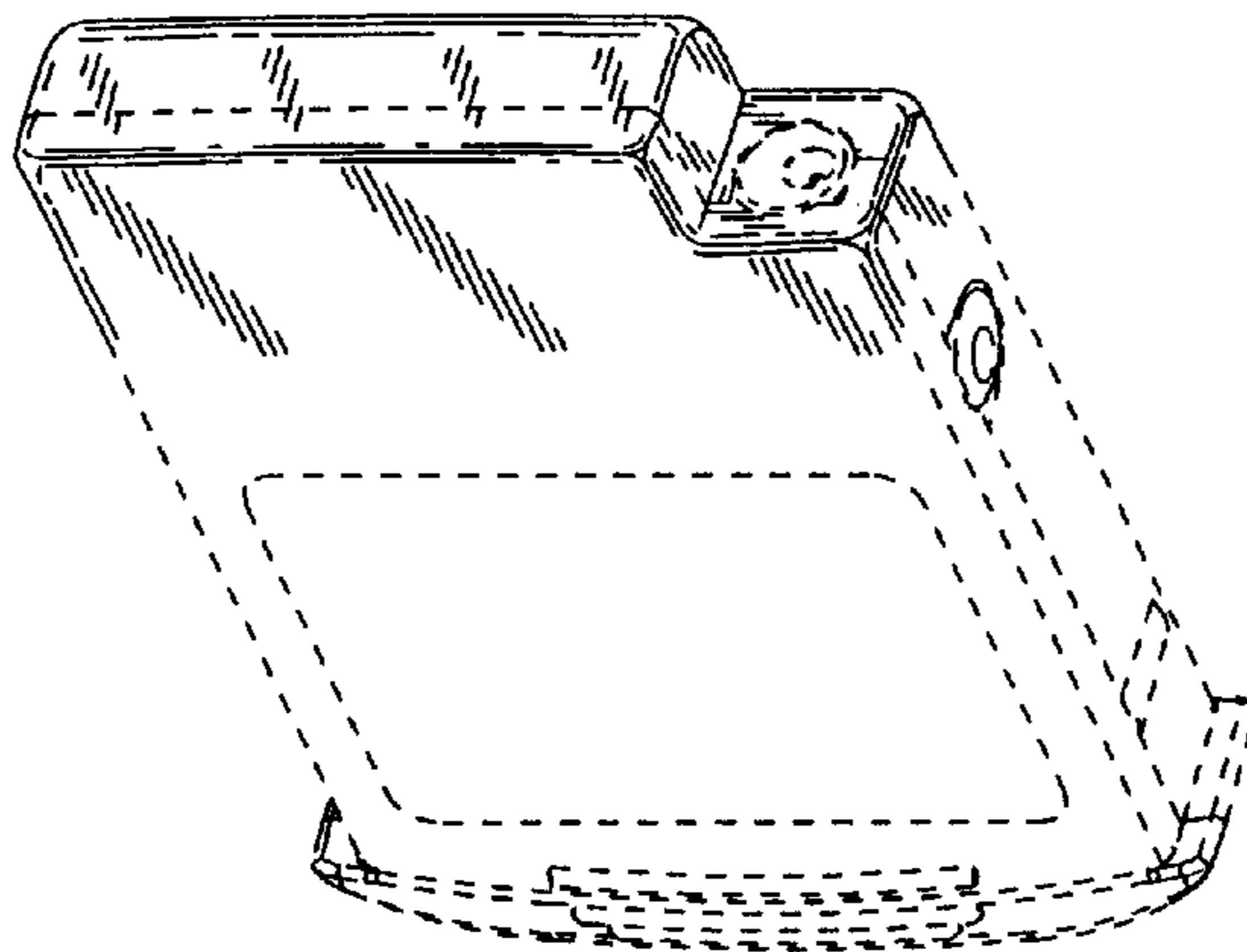
FIG. 5 is a front view.

FIG. 6 is a right side view; and,

FIG. 7 is a back view thereof.

The broken line showing forms no part of the claimed design. The shading shown in the drawings is only provided to illustrate contour; it is not provided to show texture, etc.

**1 Claim, 3 Drawing Sheets**



OTHER PUBLICATIONS

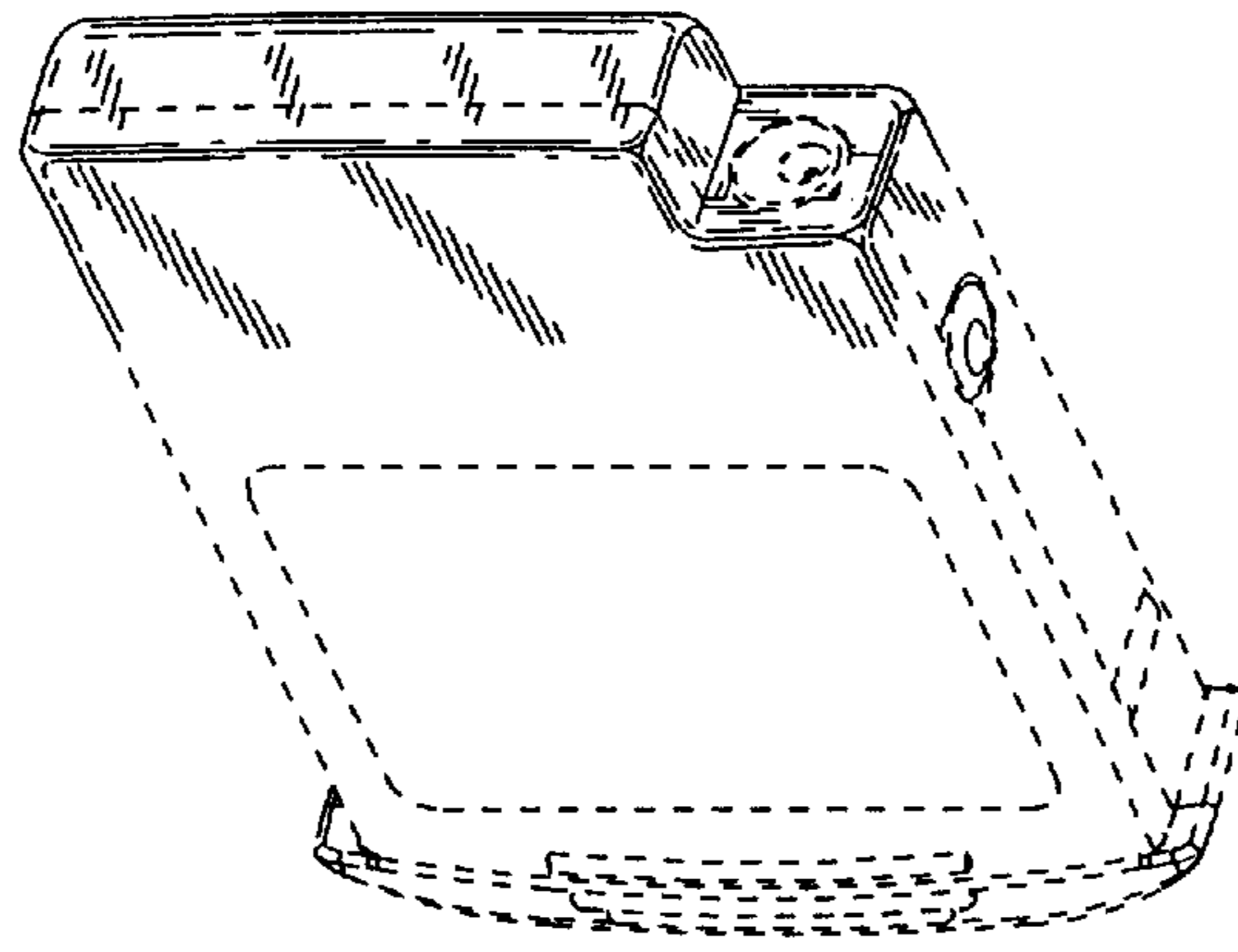
U.S. Design application No. 29/127,371, Petherbridge et al.,  
filed Aug. 3, 2000.

U.S. Design application No. 29/127,312, Petherbridge et al.,  
filed Aug. 3, 2000.

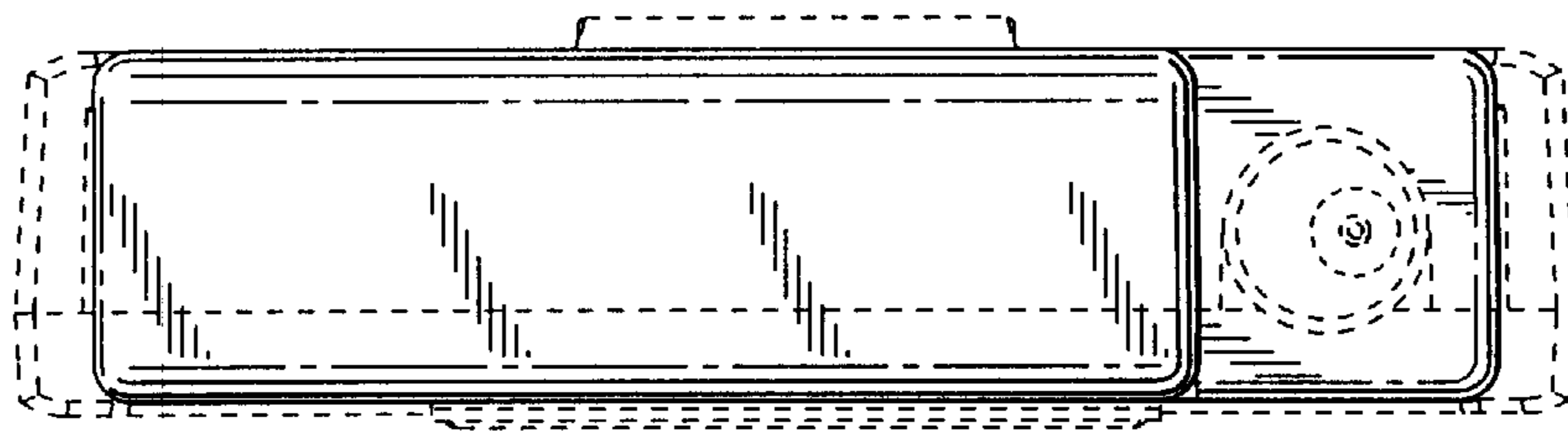
U.S. Design application No. 29/127,323, Allen et al., filed  
Aug. 3, 2000.

U.S. Design application No. 29/127,313, Krepel et al., filed  
Aug. 3, 2000.

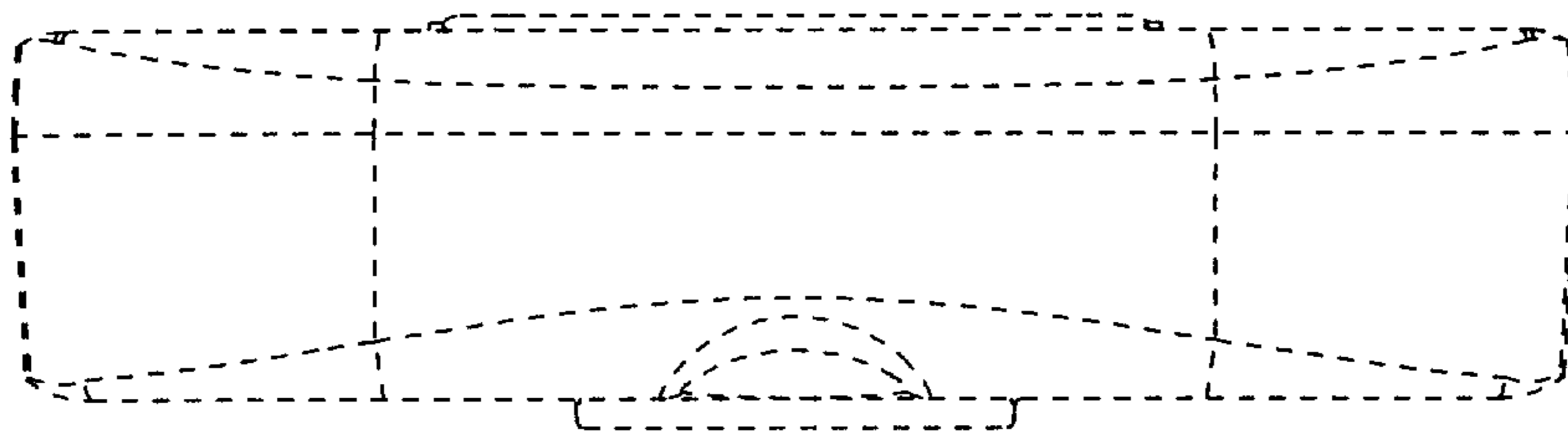
\* cited by examiner



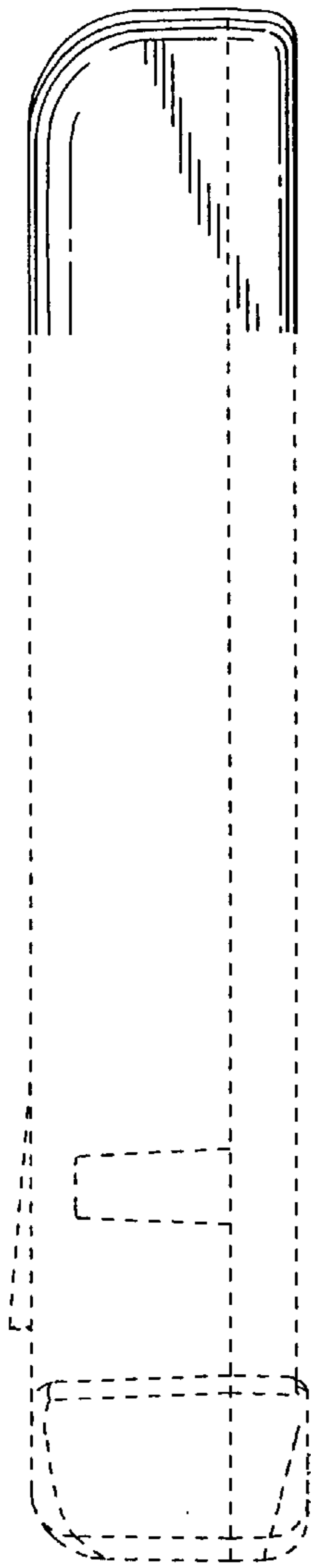
*Fig. 1*



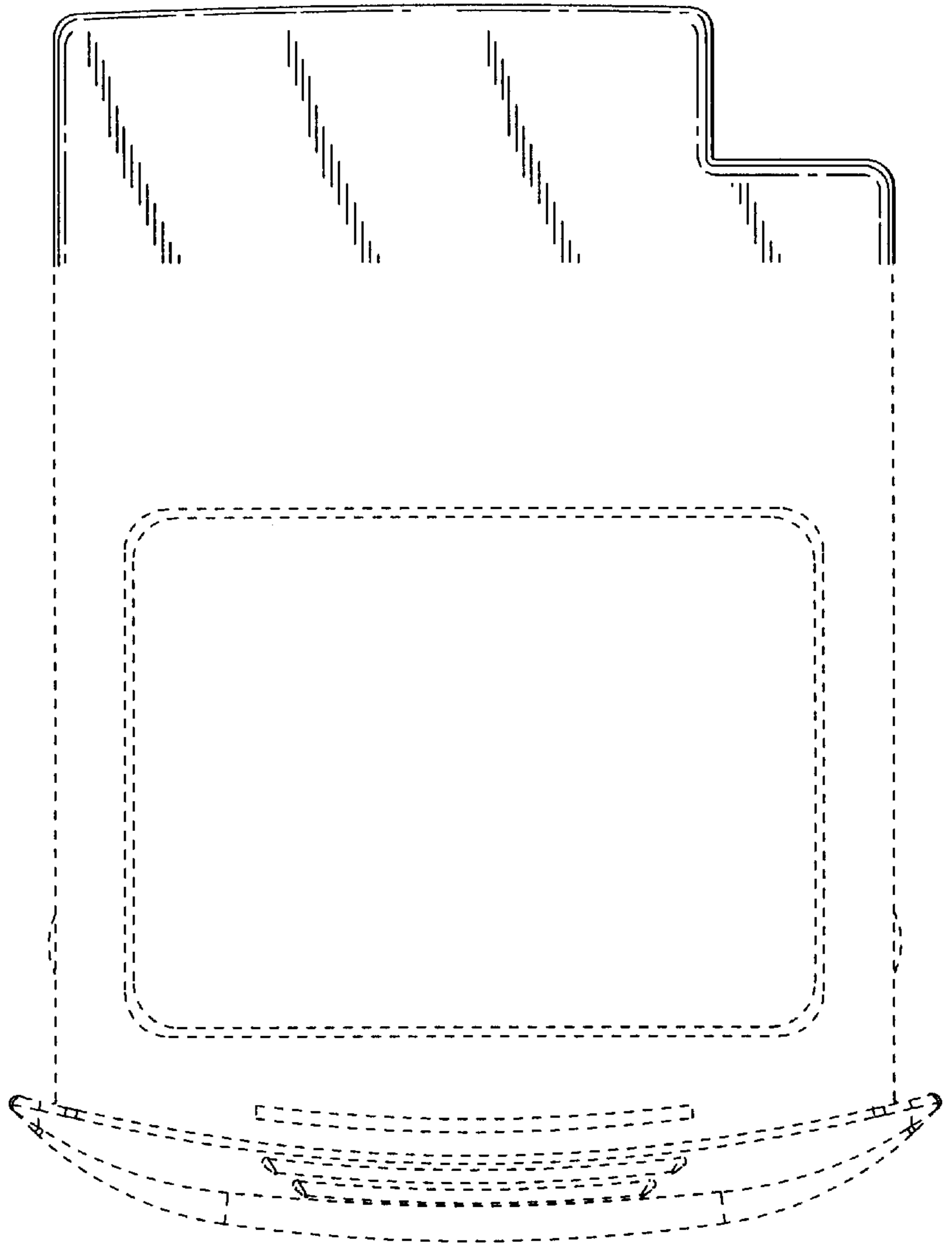
*Fig. 2*



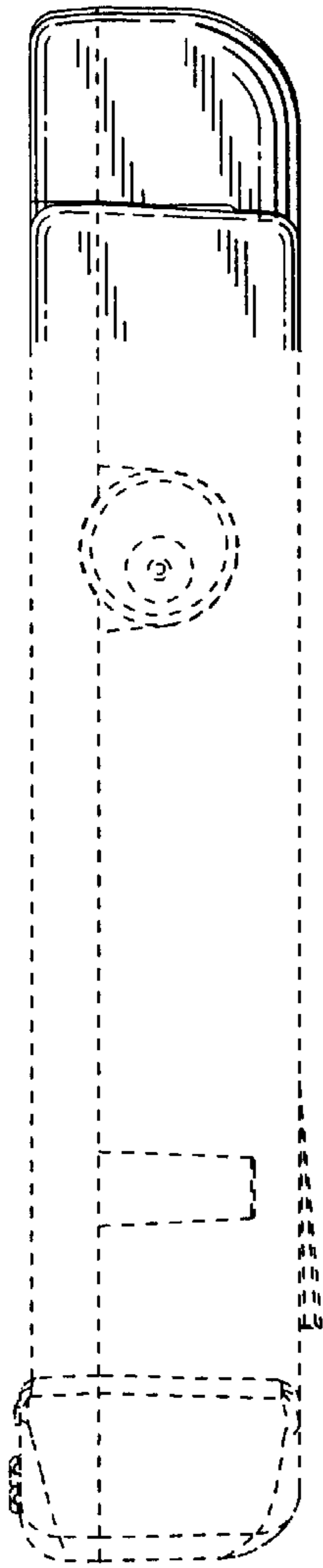
*Fig. 3*



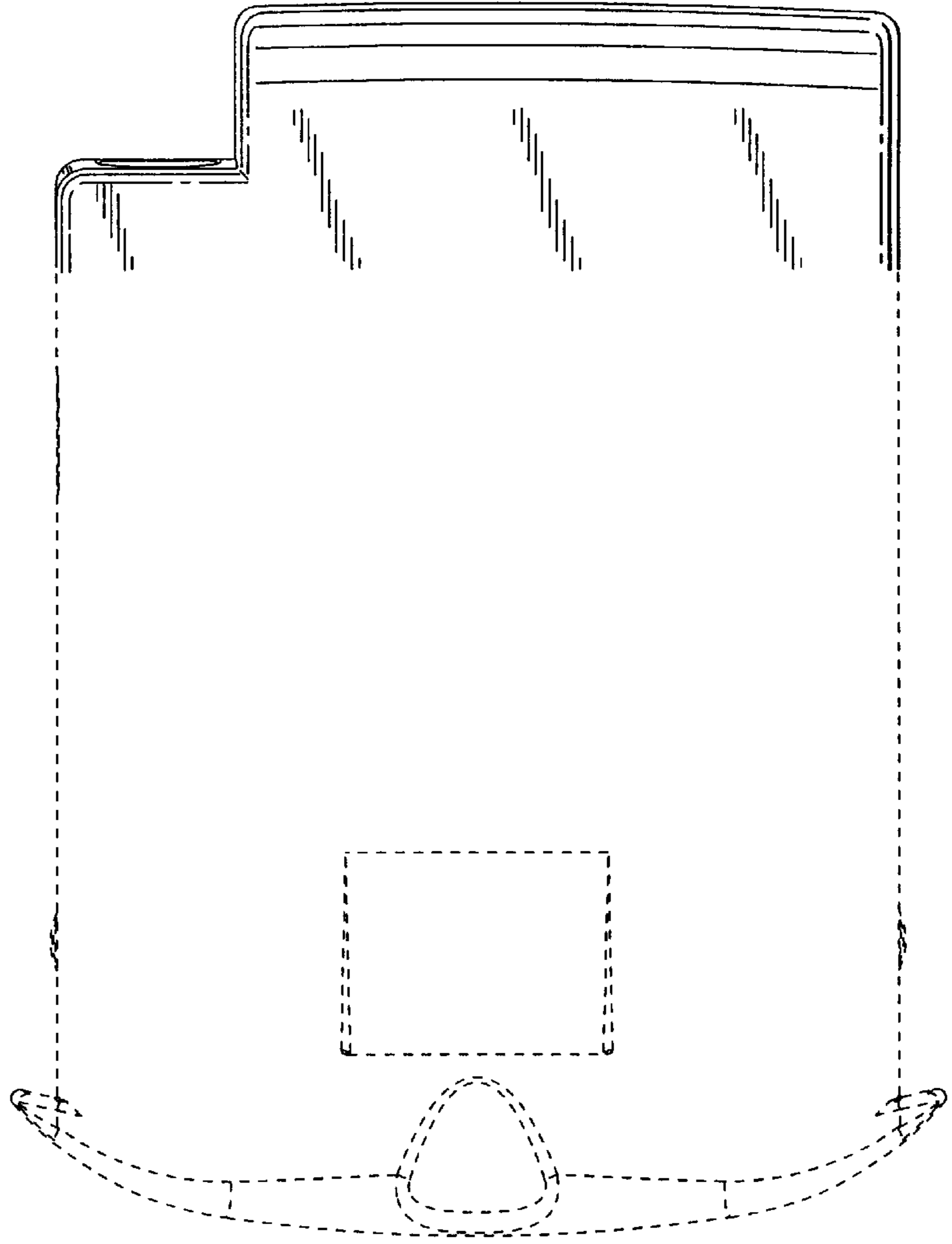
*Fig. 4*



*Fig. 5*



*Fig. 6*



*Fig. 7*