



US00D457131S

(12) **United States Design Patent**  
**Kitoh et al.**

(10) **Patent No.:** **US D457,131 S**

(45) **Date of Patent:** **\*\* May 14, 2002**

(54) **LITHIUM SECONDARY BATTERY**

(76) Inventors: **Kenshin Kitoh**, 1-111, 11, Hosone 4  
Chome, Narumi-Cho, Midori-Ku,  
Nagoya City, Aichi-Pref. 458-0827;  
**Teruhisa Kurokawa**, 210-3,  
Aza-Kamishibakiri,  
Ohaza-Kanieshinden, Kanie-Cho,  
Ama-Gun, Aichi-Pref. 497-0044;  
**Hiroshi Nemoto**, 126-401, Myoen-Cho,  
Minami-Ku, Nagoya-City, Aichi-Pref.  
457-0022, all of (JP)

(\*\*) Term: **14 Years**

(21) Appl. No.: **29/102,816**

(22) Filed: **Apr. 1, 1999**

(51) **LOC (7) Cl.** ..... **13-02**

(52) **U.S. Cl.** ..... **D13/103**

(58) **Field of Search** ..... D13/103, 119;  
429/164-171, 174, 185, 176

(56) **References Cited**

**U.S. PATENT DOCUMENTS**

3,849,868 A \* 11/1974 Jost ..... 429/167 X  
3,963,519 A \* 6/1976 Louie ..... 429/164 X

4,629,665 A \* 12/1986 Matsuo ..... 429/164  
5,571,632 A 11/1996 Teramoto  
5,849,431 A \* 12/1998 Kita et al. .... 429/164  
5,929,600 A \* 7/1999 Hasegawa ..... 429/122 X  
D413,858 S \* 9/1999 Murakami et al. .... D13/103  
5,962,160 A \* 10/1999 Oyama et al. .... 429/104

\* cited by examiner

*Primary Examiner*—Joel Sincavage

(74) *Attorney, Agent, or Firm*—Burr & Brown

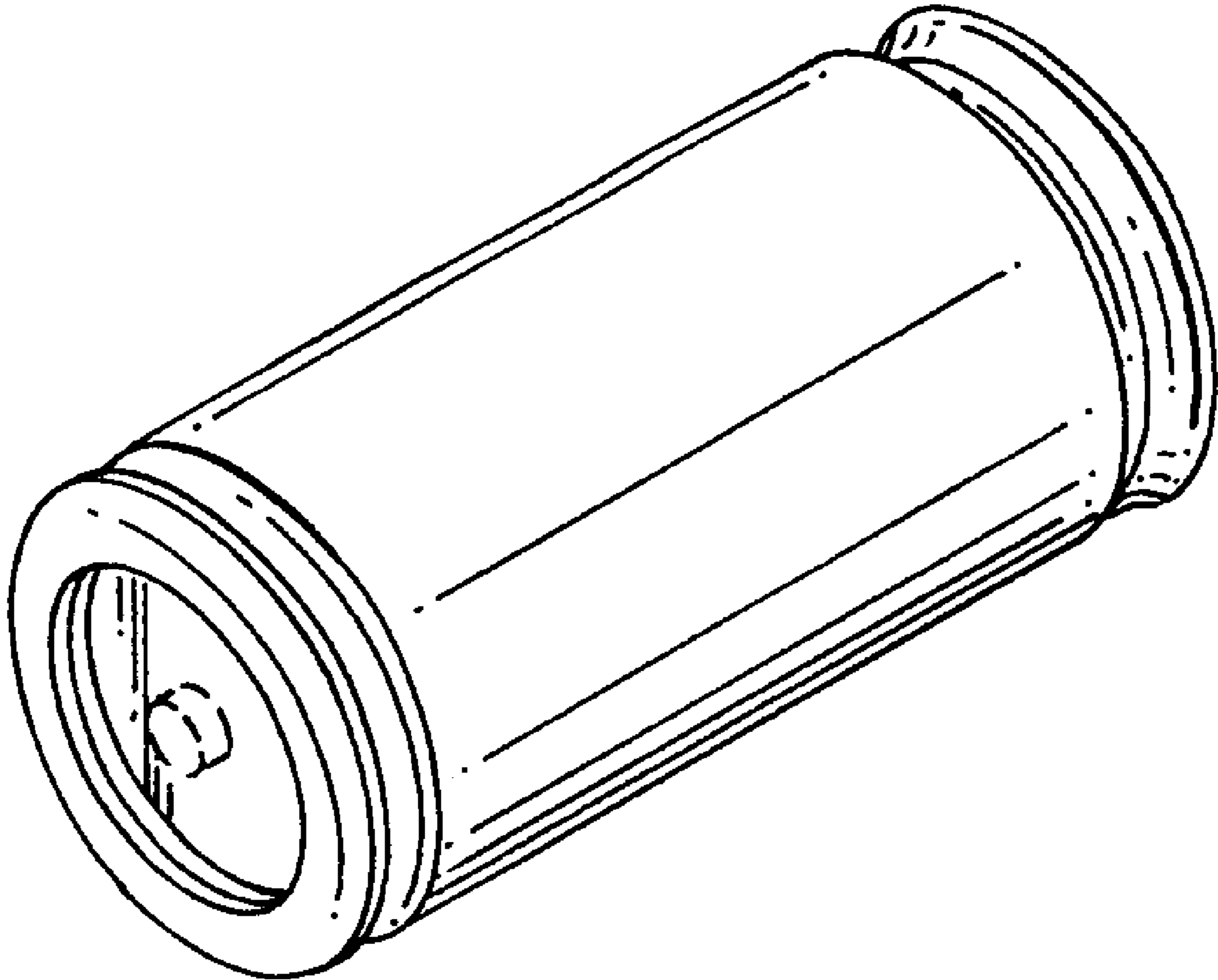
(57) **CLAIM**

We claim the ornamental design for a lithium secondary battery, as shown and described.

**DESCRIPTION**

FIG. 1 is a first perspective view of a lithium secondary battery, illustrating our new design;  
FIG. 2 is a side view thereof;  
FIG. 3 is a first end view thereof;  
FIG. 4 is a second, opposed end view thereof; and,  
FIG. 5 is a second perspective view thereof opposite to the first perspective view shown in FIG. 1.  
The broken line showing end terminals is included for the purpose of illustrating environmental structure only and forms no part of the claimed design.

**1 Claim, 1 Drawing Sheet**



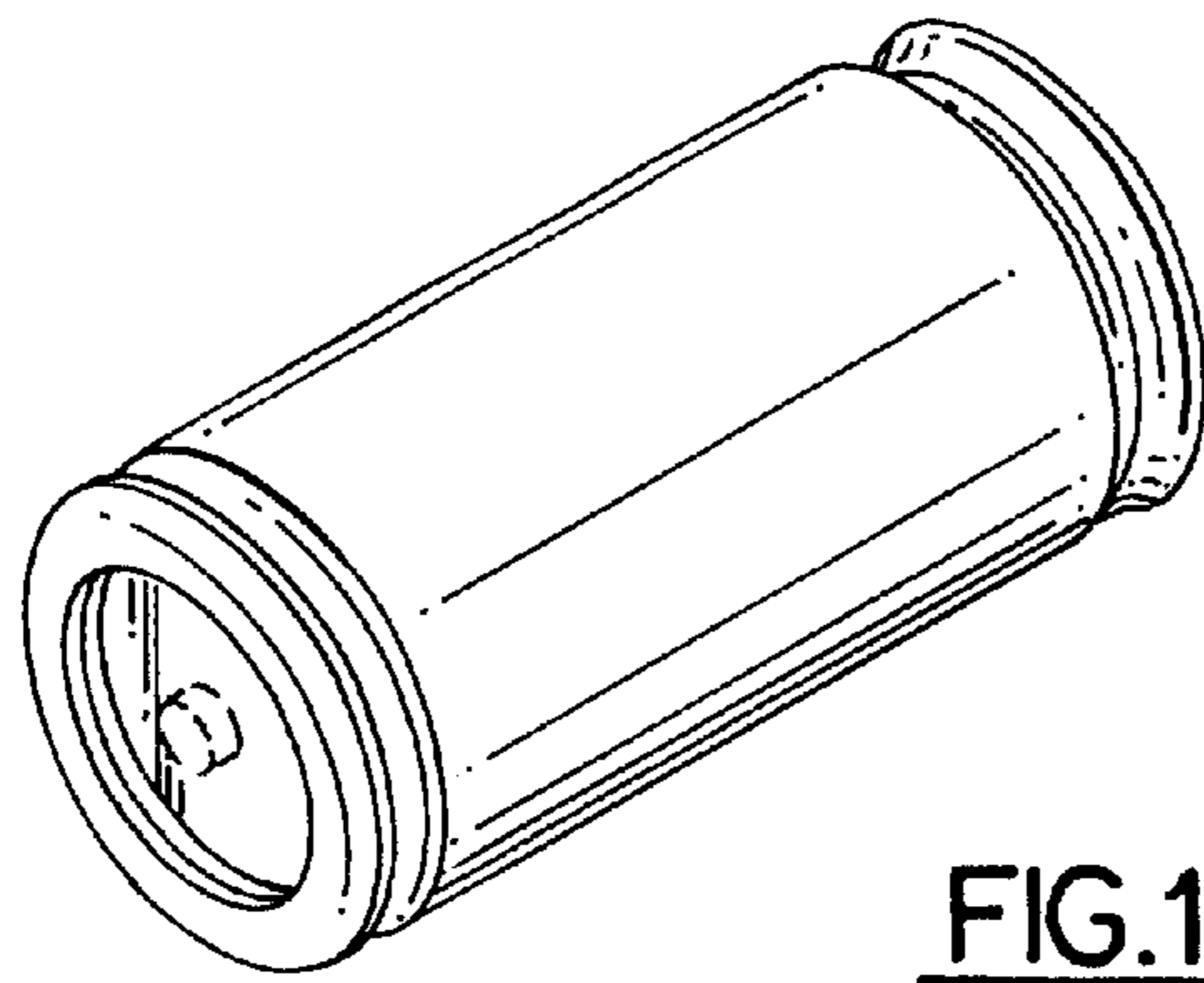


FIG.1

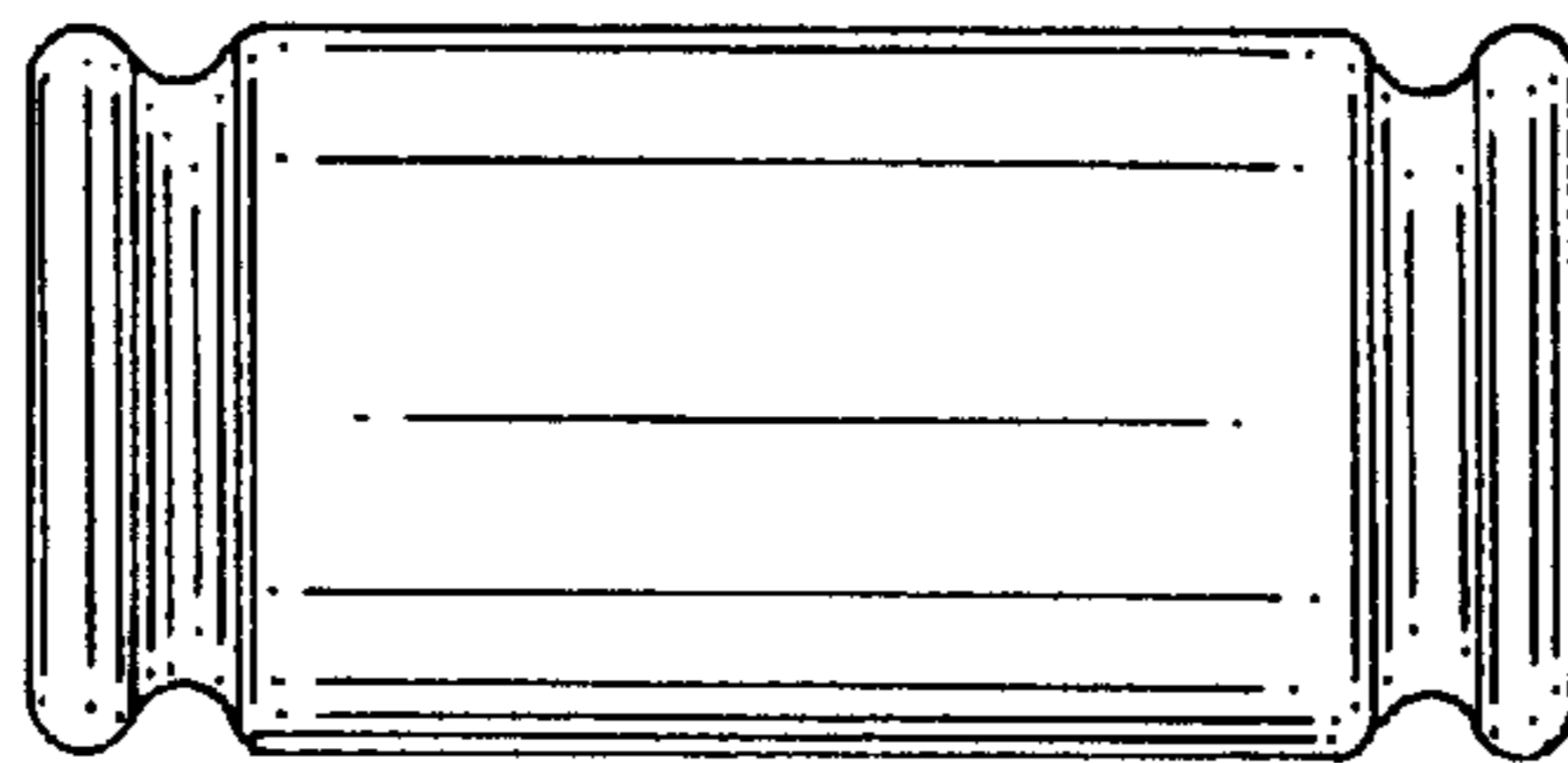


FIG.2

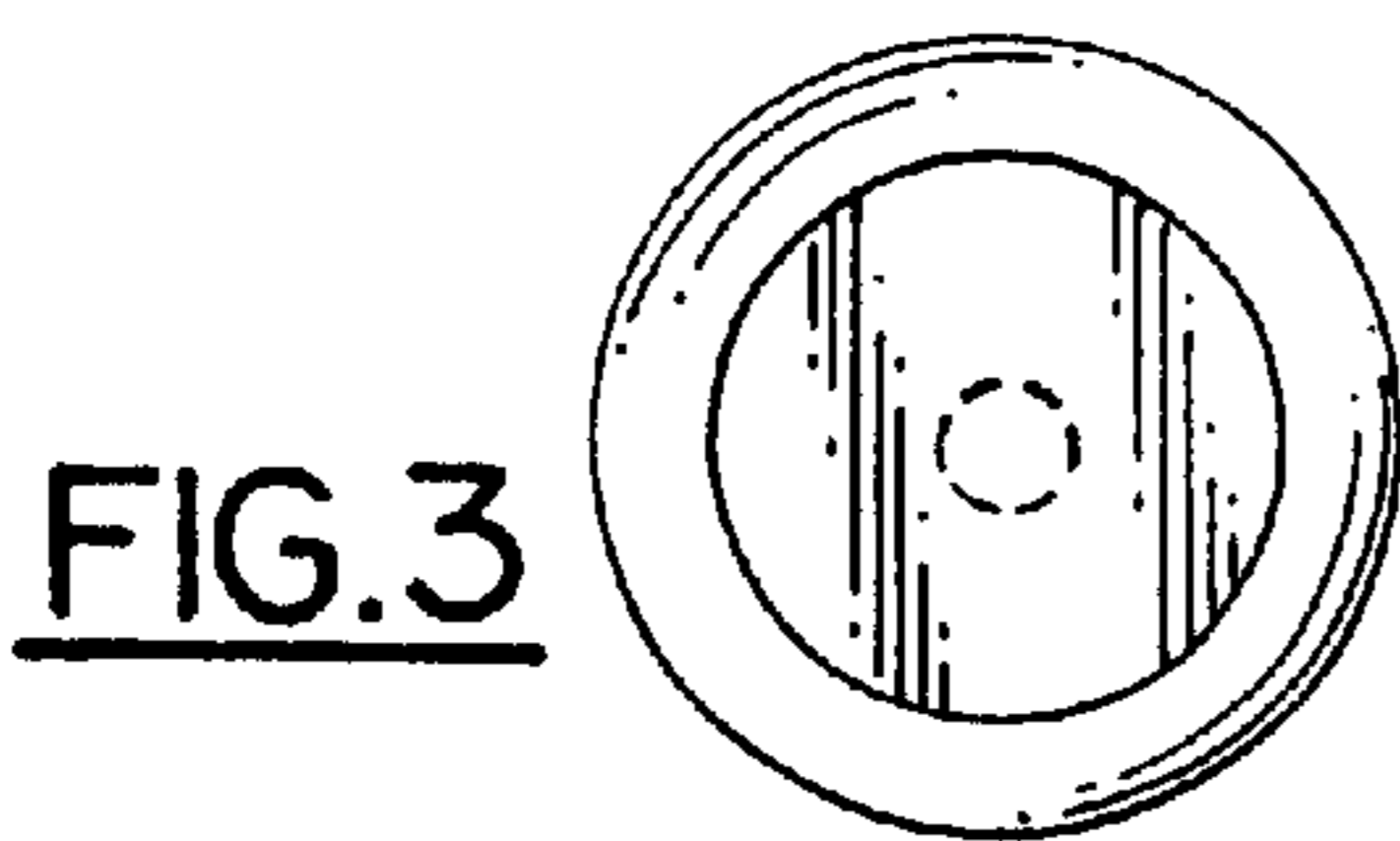


FIG.3

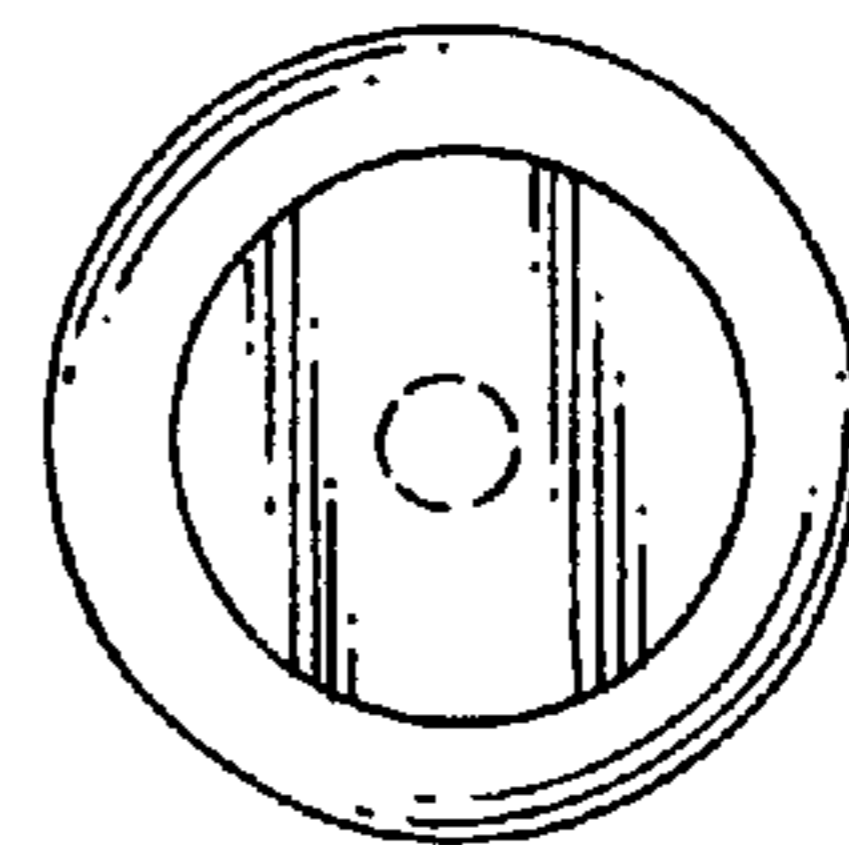


FIG.4

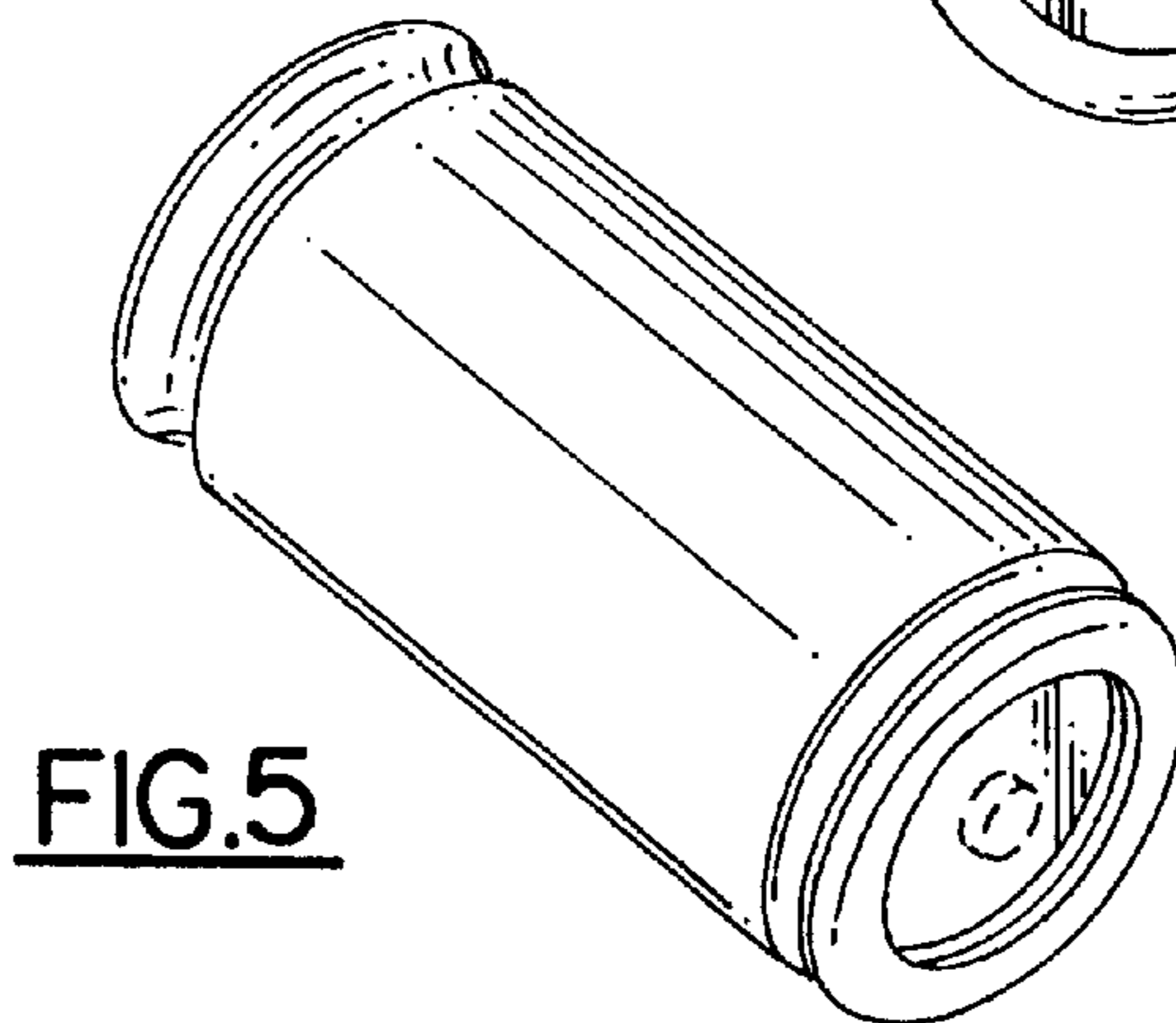


FIG.5