



US00D457121S

(12) **United States Design Patent**
Gyzybowski

(10) **Patent No.:** **US D457,121 S**

(45) **Date of Patent:** **** May 14, 2002**

(54) **WATERCRAFT STABILIZER**

(76) **Inventor:** **Joseph Michael Gyzybowski**, 9 Van Buren Rd., Scotia, NY (US) 12302

(**) **Term:** **14 Years**

(21) **Appl. No.:** **29/100,272**

(22) **Filed:** **Feb. 8, 1999**

(30) **Foreign Application Priority Data**

Jan. 30, 1998 (WO) 9801894
Jul. 27, 1998 (GB) 2076347
Nov. 30, 1998 (GB) 2079492

(51) **LOC (7) Cl.** **12-06**

(52) **U.S. Cl.** **D12/317; D12/304**

(58) **Field of Search** **D12/300-318;**
114/61, 56, 57, 355, 357, 39.1, 39.2, 364,
344, 347

(56) **References Cited**

U.S. PATENT DOCUMENTS

4,512,277 A * 4/1985 Williams 114/364
4,641,594 A * 2/1987 Birkett 114/43
4,807,551 A * 2/1989 Ace 114/123

4,977,844 A * 12/1990 Barr 114/123

D316,395 S * 4/1991 Yamada et al. D12/304

5,295,454 A * 3/1994 Streck 114/123

5,501,169 A * 3/1996 Denker 114/364

* cited by examiner

Primary Examiner—Kay H. Chin

(74) *Attorney, Agent, or Firm*—Our Pal® Asija

(57) **CLAIM**

I claim the ornamental design for a watercraft stabilizer, as shown and described.

DESCRIPTION

FIG. 1 is a perspective view of a watercraft stabilizer showing my new design, the broken lines are for illustrative purposes only and form no part of the claimed design;

FIG. 2 is a perspective view thereof showing one pontoon deployed and the other pontoon in stow position;

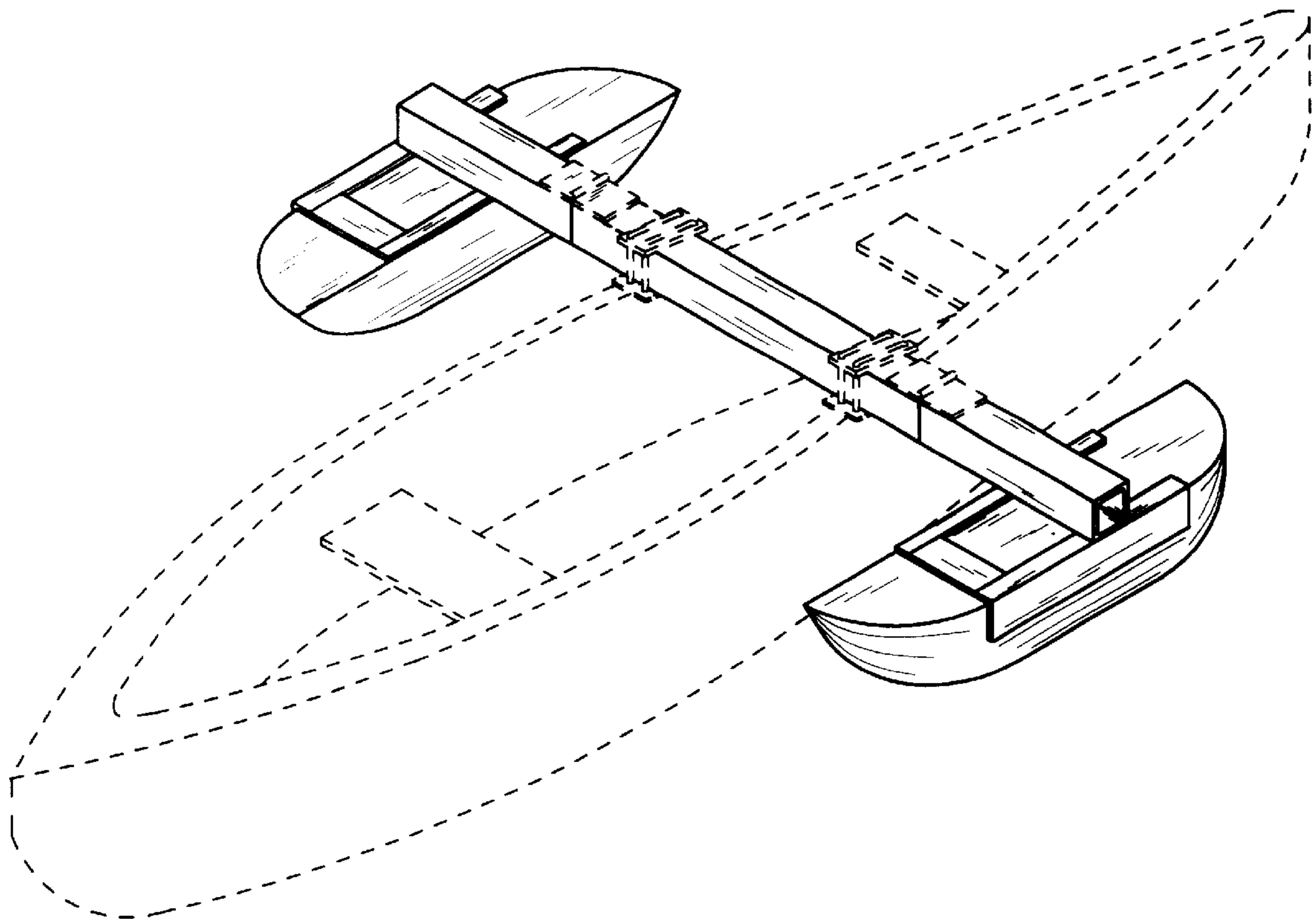
FIG. 3 is a top plan view thereof;

FIG. 4 is a front elevational view thereof, the rear elevational view being a mirror image of that shown;

FIG. 5 is a bottom plan view thereof; and,

FIG. 6 is a side elevational view thereof, the opposite side view being a mirror image of that shown.

1 Claim, 3 Drawing Sheets



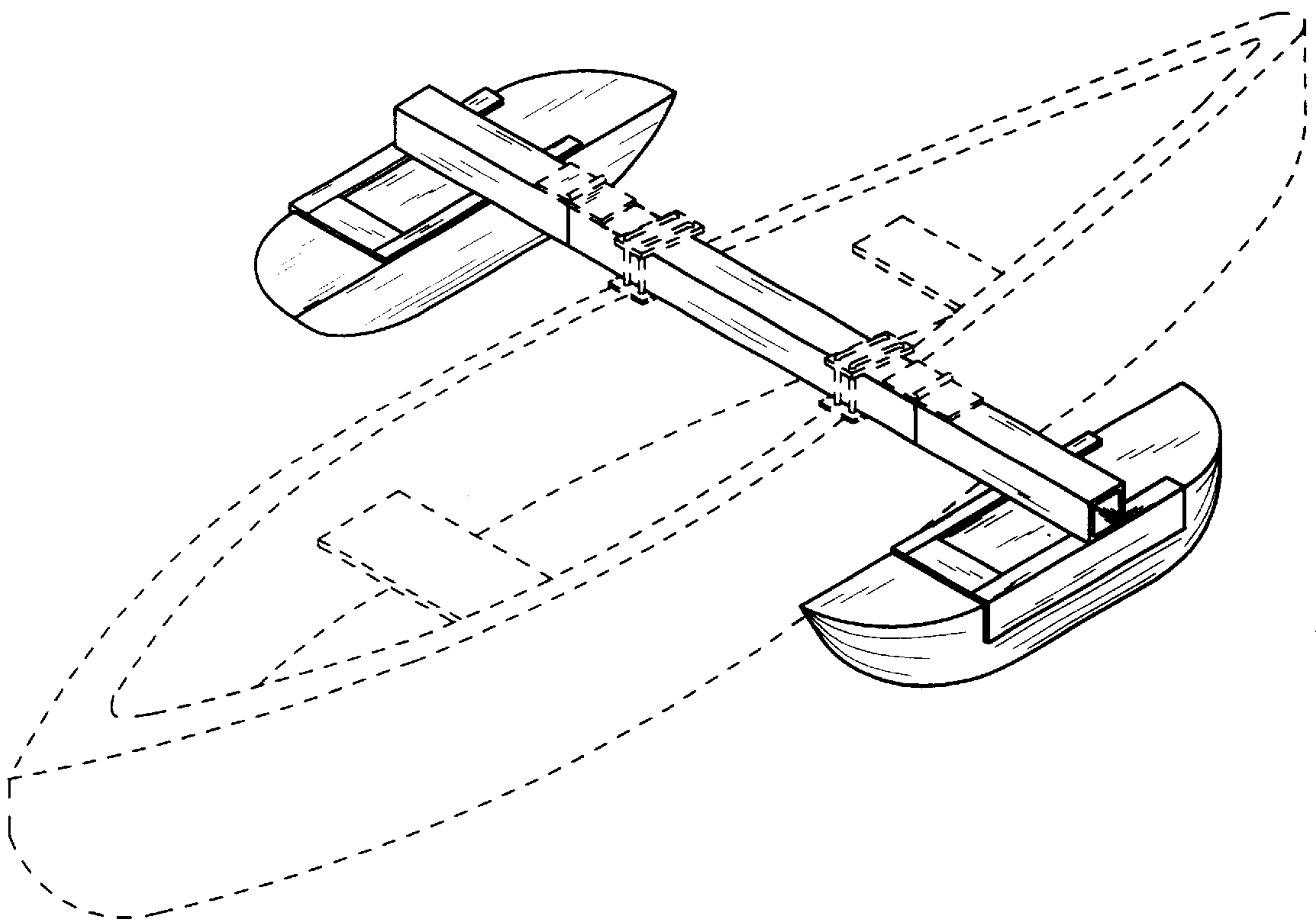


Fig. 1

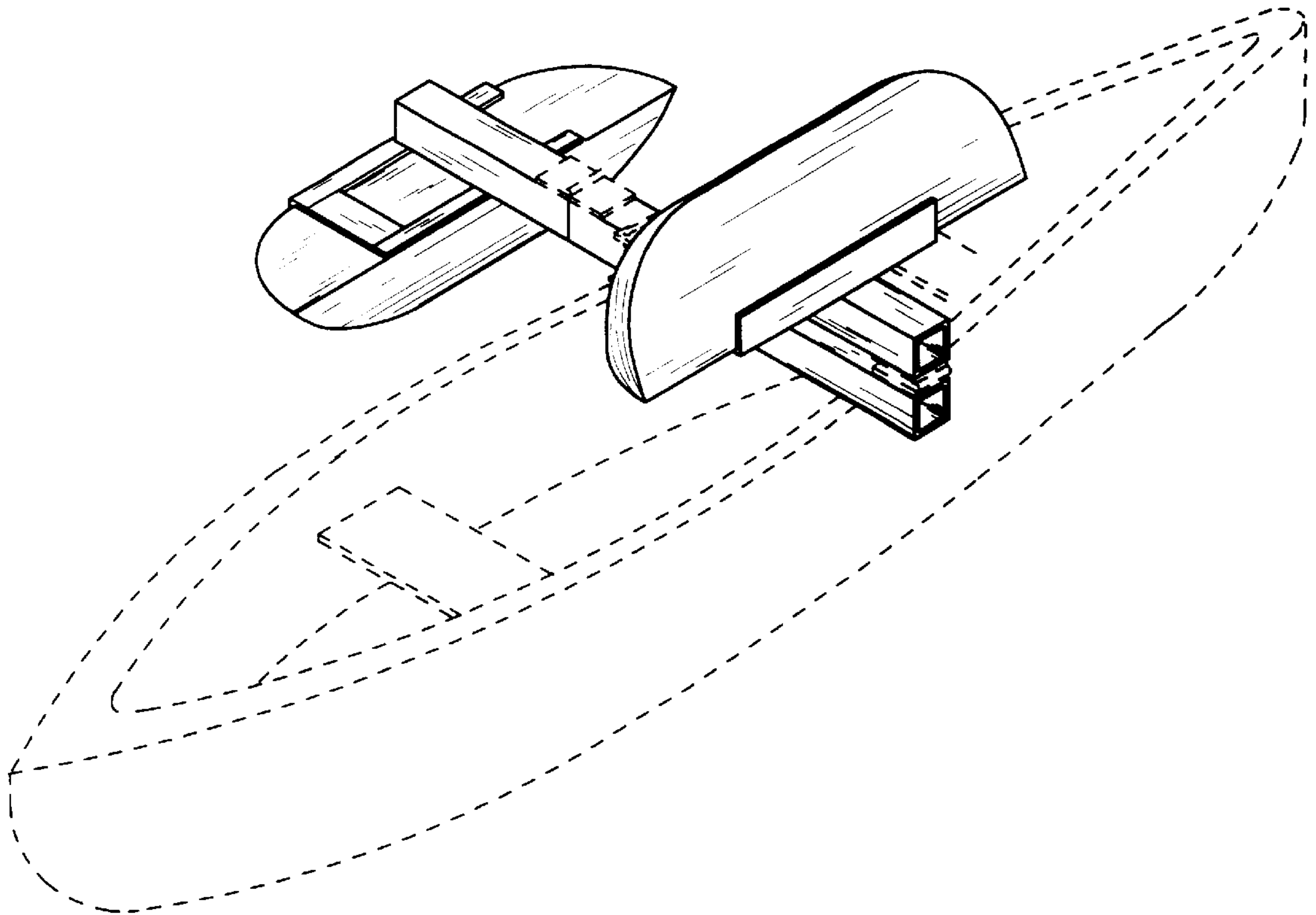


Fig. 2

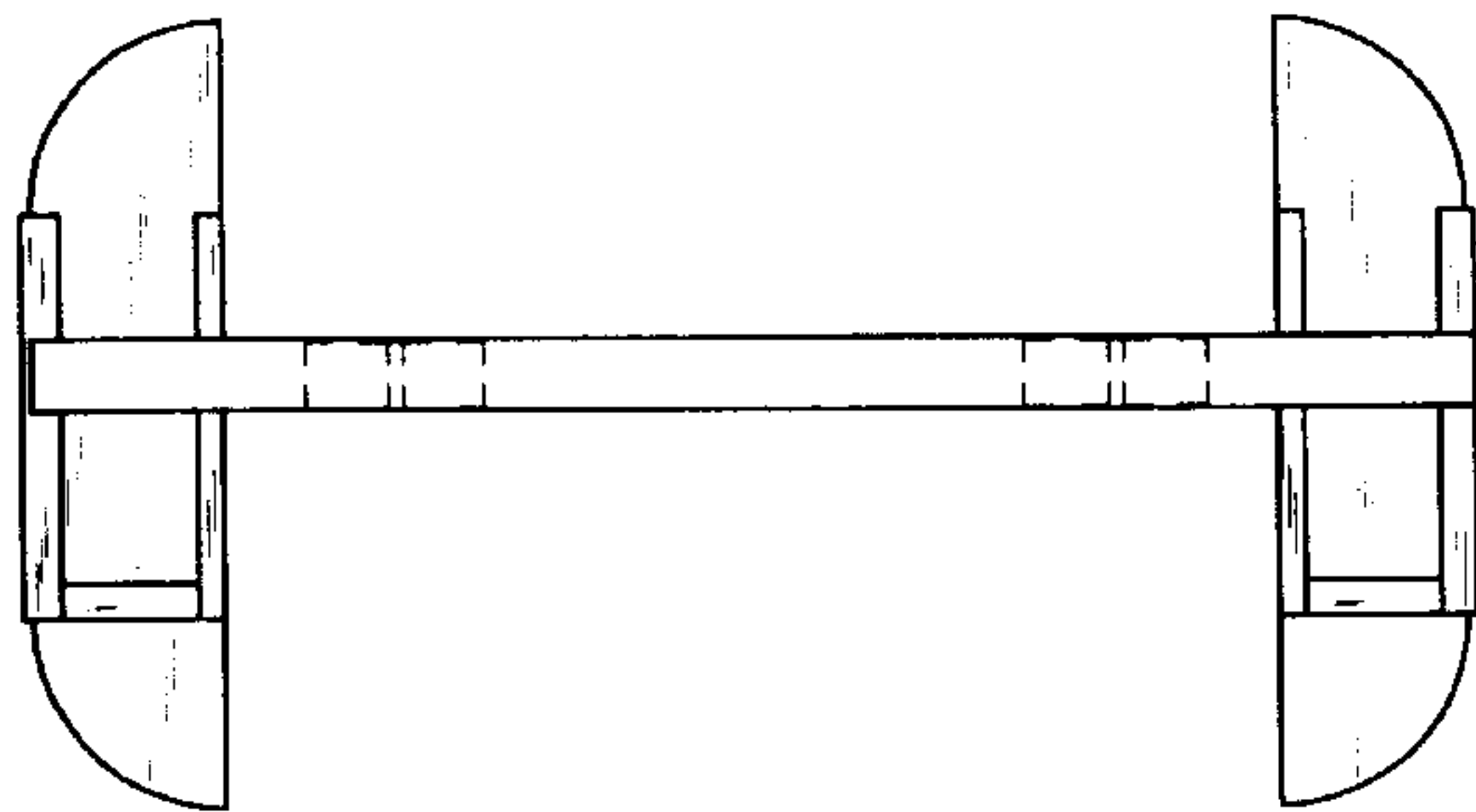


Fig. 3

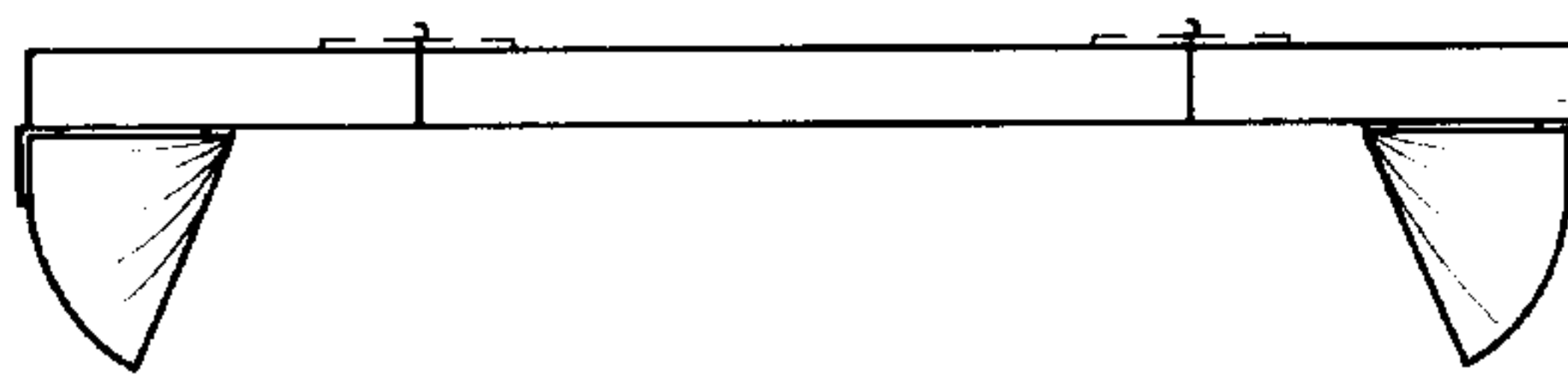


Fig. 4

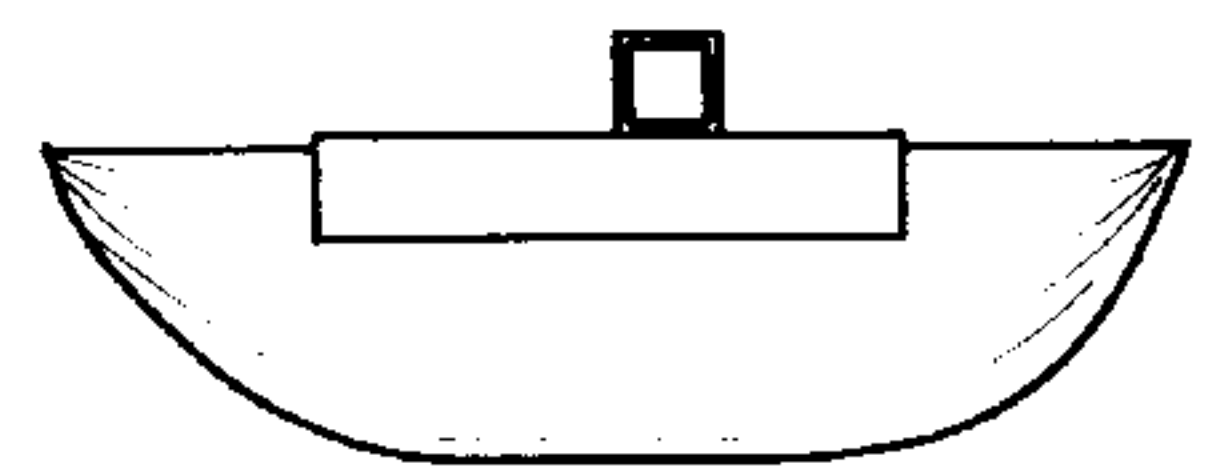


Fig. 6

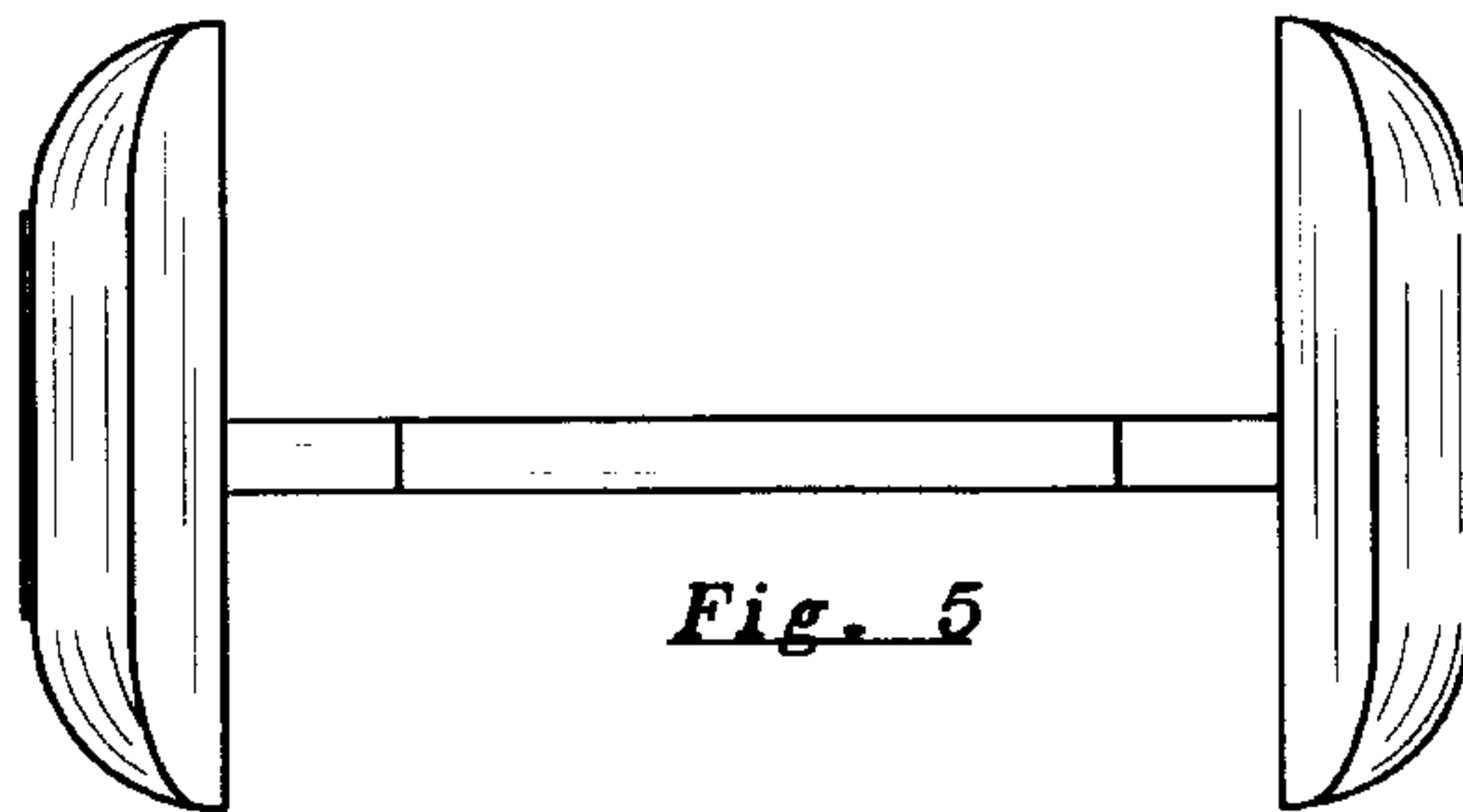


Fig. 5