



US00D457119S

(12) **United States Design Patent**
Braun et al.

(10) **Patent No.:** **US D457,119 S**

(45) **Date of Patent:** **** May 14, 2002**

(54) **FRONT FACE OF A VEHICLE WHEEL**

(75) Inventors: **Christian Braun**, Wimsheim; **Mitja Borkert**, Pforzheim, both of (DE)

(73) Assignee: **Dr. Ing. h.c.F. Porsche AG**, Stuttgart (DE)

(**) Term: **14 Years**

(21) Appl. No.: **29/145,273**

(22) Filed: **Jul. 20, 2001**

(30) **Foreign Application Priority Data**

Jan. 20, 2001 (DE) 4 01 00 570

(51) **LOC (7) Cl.** **12-16**

(52) **U.S. Cl.** **D12/211**

(58) **Field of Search** D12/204-211;
301/37.1, 64.1, 65

(56) **References Cited**

U.S. PATENT DOCUMENTS

D339,561 S * 9/1993 Maiworm et al. D12/211
D344,924 S * 3/1994 Braungart et al. D12/211

D375,075 S * 10/1996 Kugler D12/209
D406,807 S * 3/1999 Shikado D12/211
D411,502 S * 6/1999 Chung D12/211
D422,550 S * 4/2000 Chung D12/211
D441,339 S * 5/2001 Hussaini et al. D12/211
D444,119 S * 6/2001 Brintouch D12/211
D450,649 S * 11/2001 Penzes D12/211

* cited by examiner

Primary Examiner—Stacia Cadmus

(74) *Attorney, Agent, or Firm*—Crowell & Moring LLP

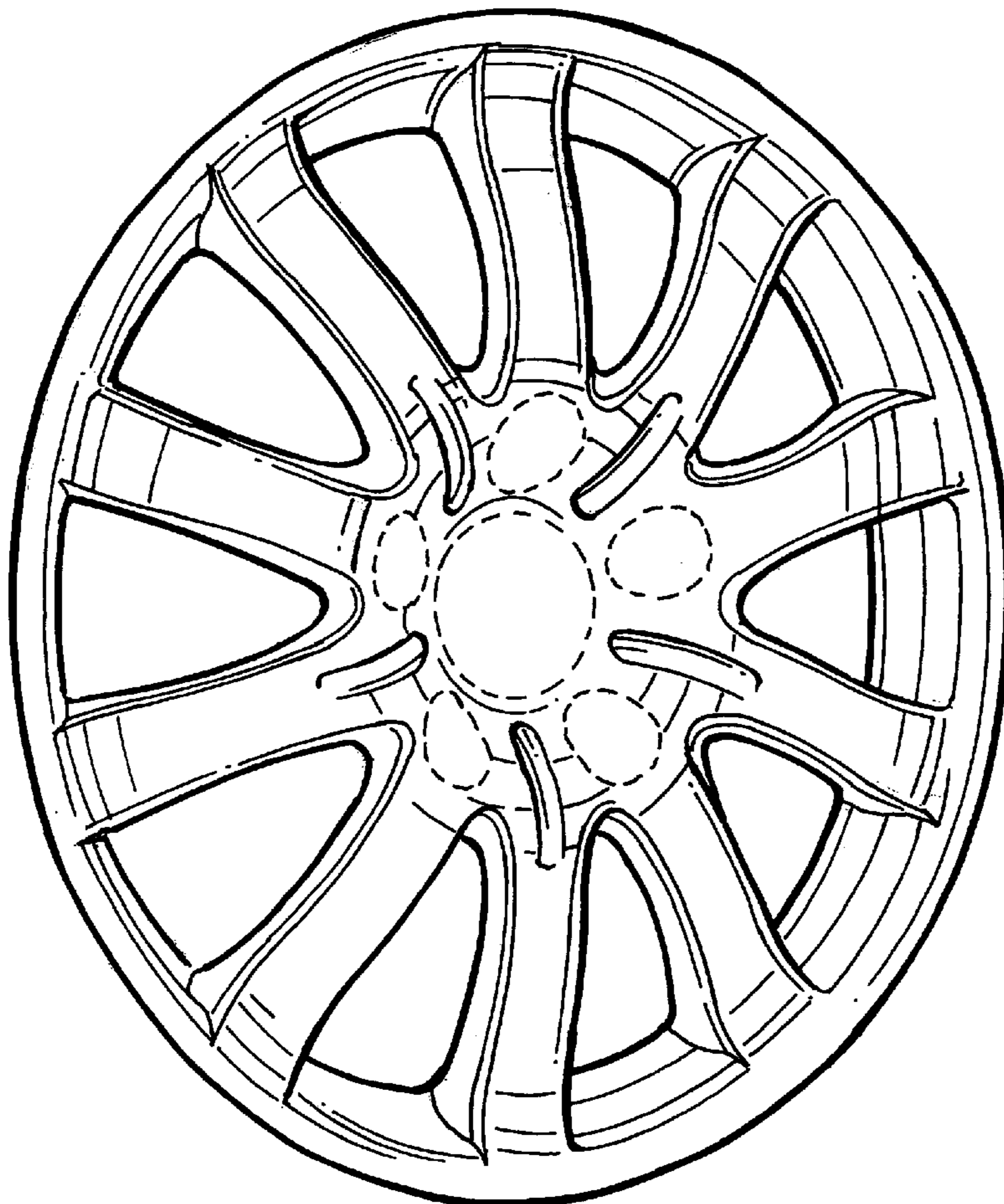
(57) **CLAIM**

The ornamental design for a front face of a vehicle wheel, as shown and described.

DESCRIPTION

FIG. 1 is a front view of a front face of a vehicle wheel according to our novel design; and, FIG. 2 is a perspective view of the front face of a vehicle wheel according to our novel design. The dash lines included depict environment and are not part of the claimed design.

1 Claim, 1 Drawing Sheet



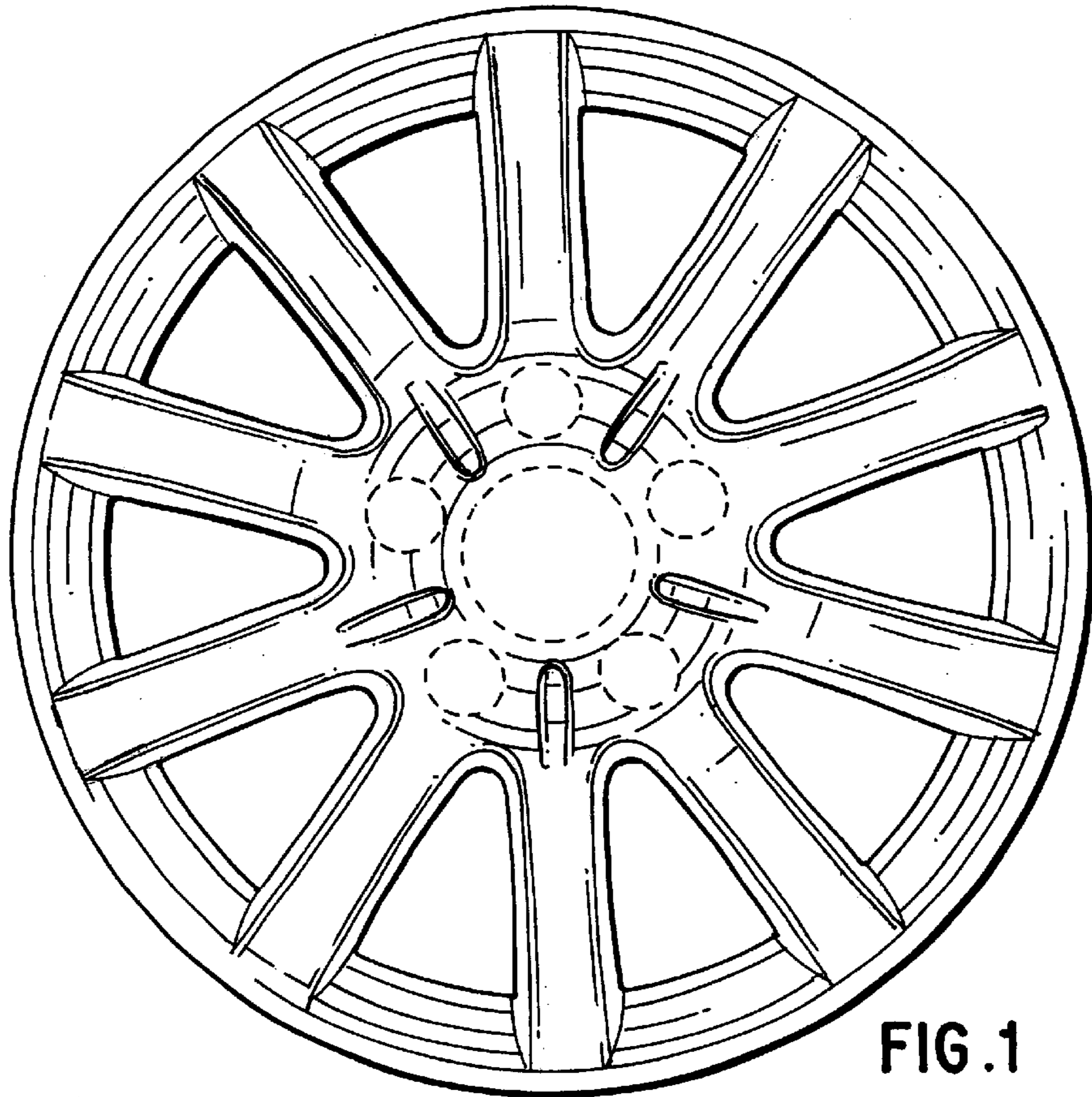


FIG. 1

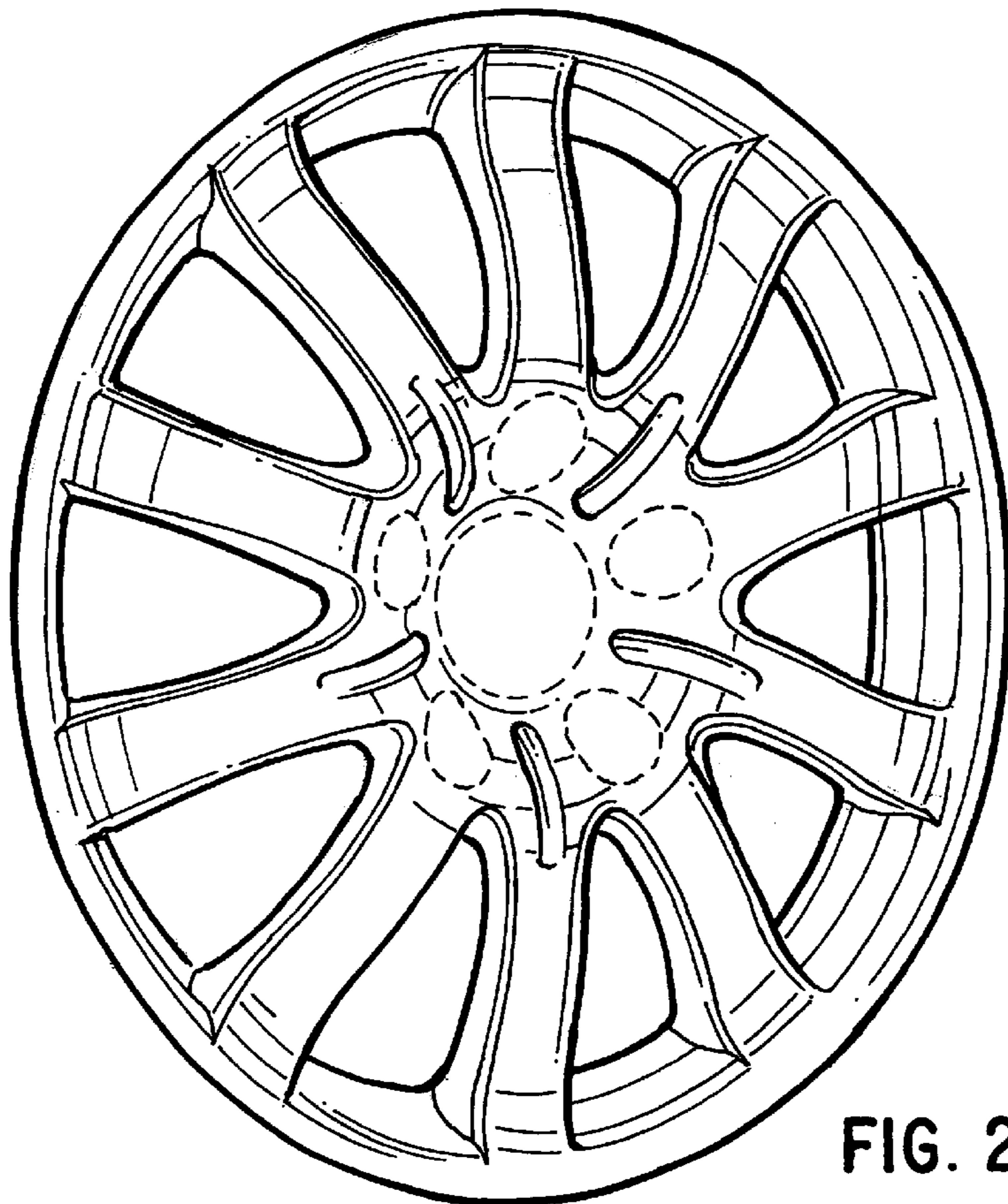


FIG. 2