



US00D457118S

(12) **United States Design Patent**
Bhambra

(10) **Patent No.:** **US D457,118 S**

(45) **Date of Patent:** **** May 14, 2002**

(54) **FRONT FACE OF A VEHICLE WHEEL**

(75) **Inventor:** **Ranjit Bhambra,**
Tiefenbronn-Mühlhausen (DE)

(73) **Assignee:** **Dr. Ing. h.c.F. Porsche AG,** Stuttgart
(DE)

(**) **Term:** **14 Years**

(21) **Appl. No.:** **29/129,708**

(22) **Filed:** **Sep. 21, 2000**

(30) **Foreign Application Priority Data**

Apr. 11, 2000 (DE) 400 03 625

(51) **LOC (7) Cl.** **12-16**

(52) **U.S. Cl.** **D12/211**

(58) **Field of Search** D12/204-211;
301/37.1, 64.1, 65

(56) **References Cited**

U.S. PATENT DOCUMENTS

D402,251 S * 12/1998 Timm D12/211
D402,951 S * 12/1998 Wechner D12/211

D405,749 S * 2/1999 Kulla D12/211
D413,853 S * 9/1999 Hale, Jr. D12/211
D417,646 S * 12/1999 Baumgartner D12/211
D427,130 S * 6/2000 Johnson D12/211
D431,222 S * 9/2000 Vian D12/209
D432,974 S * 10/2000 Jablonski D12/211
D436,911 S * 1/2001 Chung D12/211

* cited by examiner

Primary Examiner—Stacia Cadmus

(74) *Attorney, Agent, or Firm*—Crowell & Moring LLP

(57) **CLAIM**

The ornamental design for a front face of a vehicle wheel,
as shown and described.

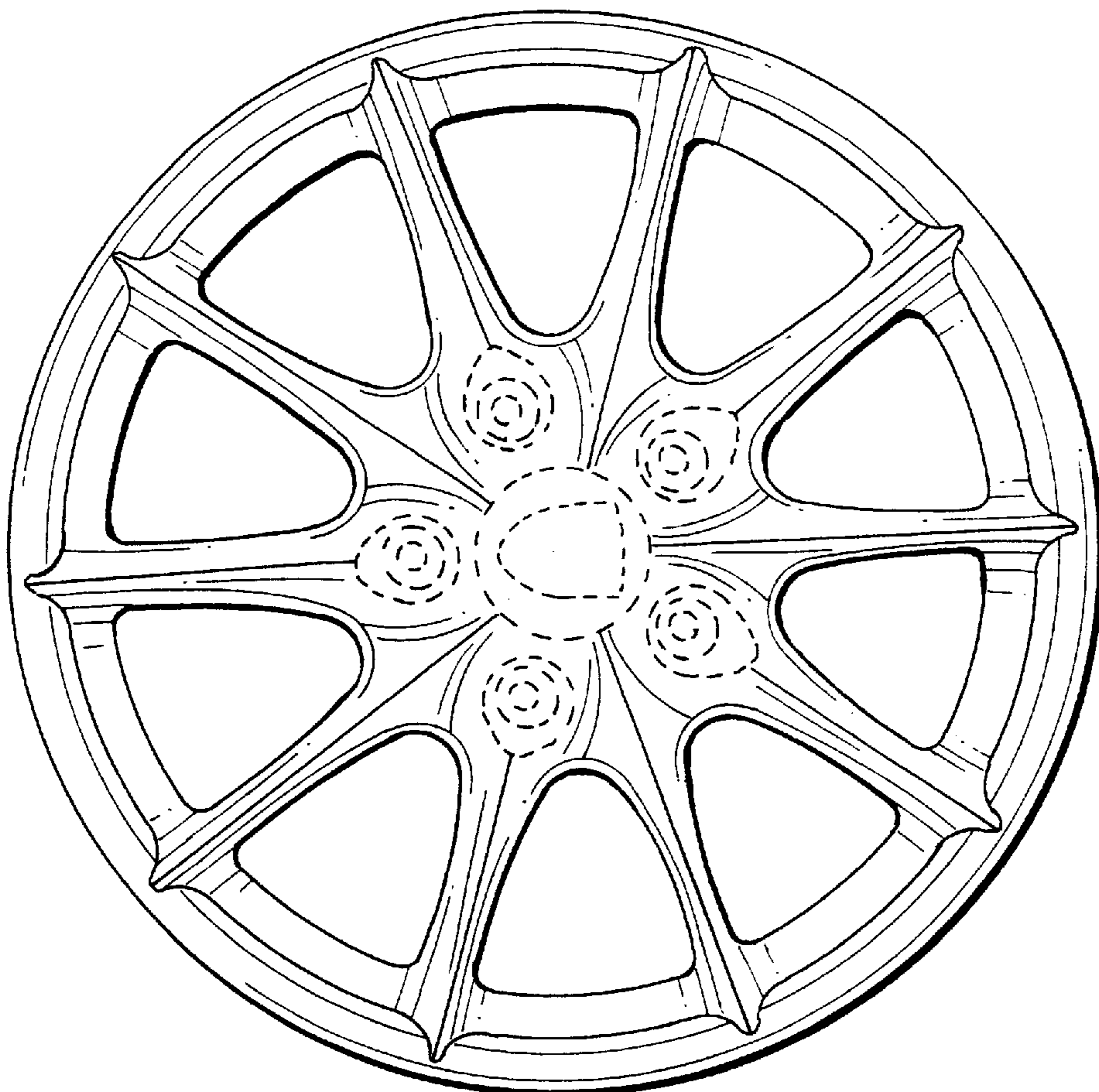
DESCRIPTION

FIG. 1 is a front view of a front face of a vehicle wheel
according to my novel design; and,

FIG. 2 is a perspective view of the front face of a vehicle
wheel according to my novel design.

The dash lines included depict environment and are not part
of the claimed design.

1 Claim, 1 Drawing Sheet



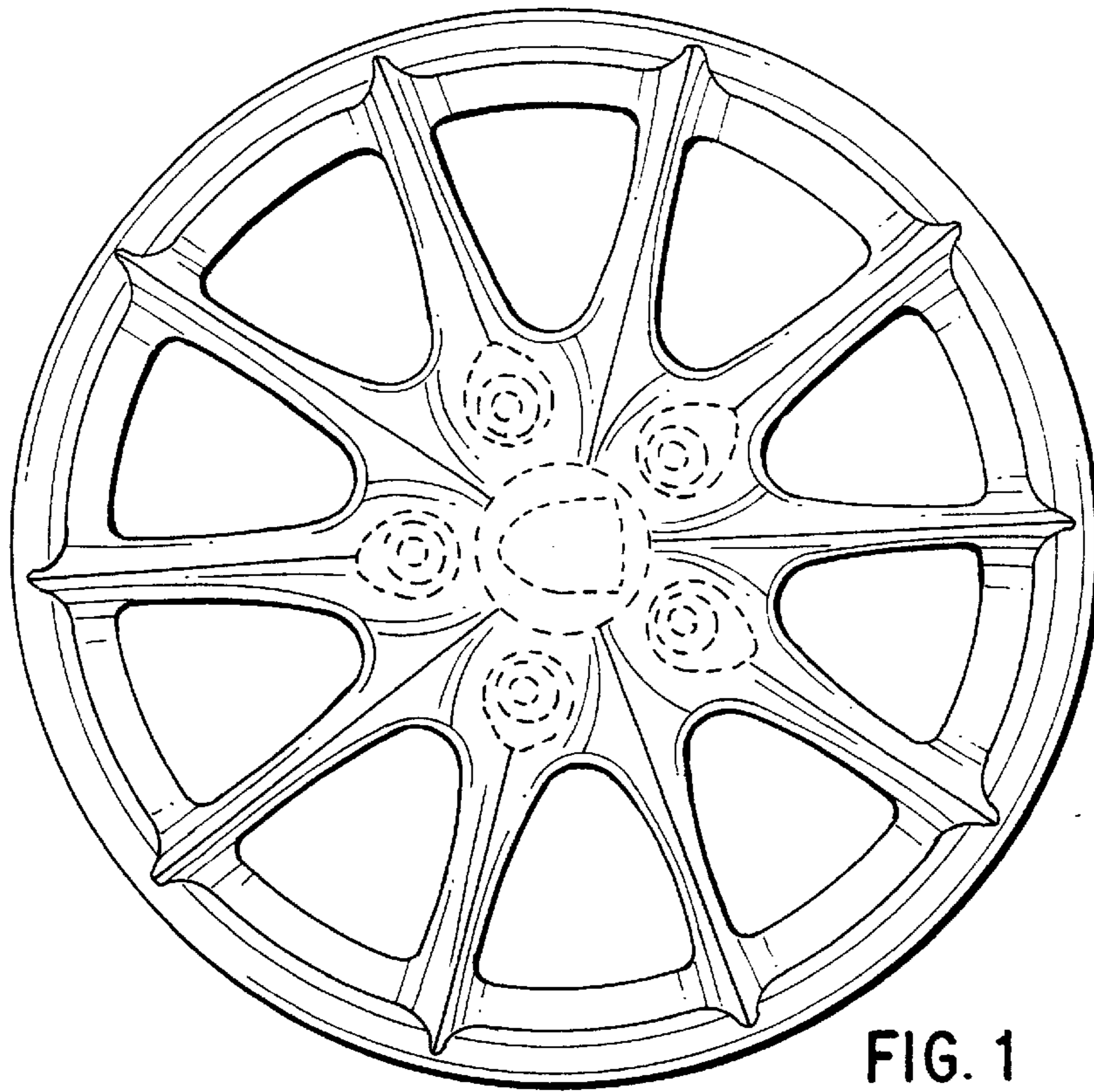


FIG. 1

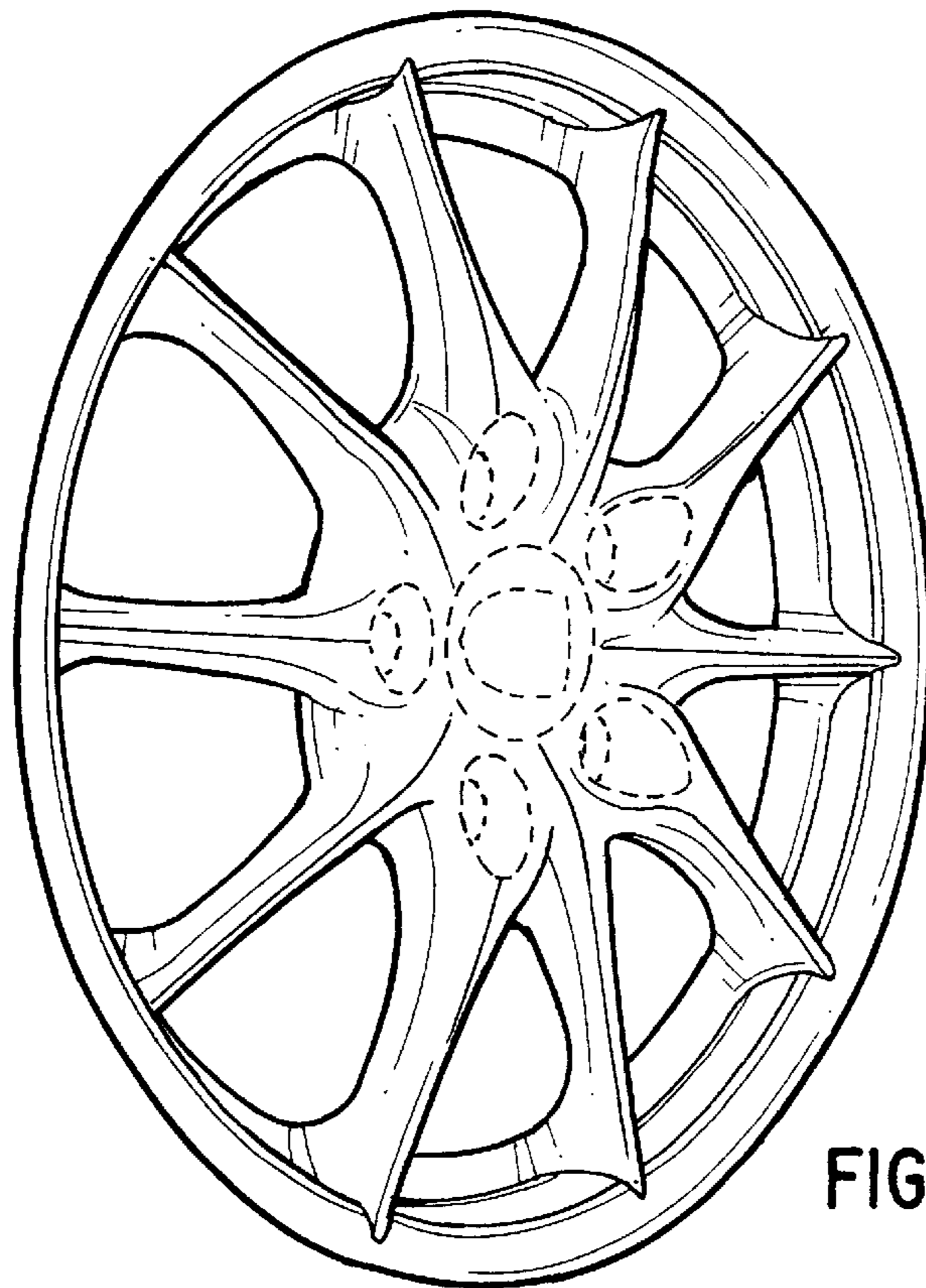


FIG. 2