

US00D457115S

(12) **United States Design Patent**
Mahoney et al.

(10) **Patent No.:** **US D457,115 S**

(45) **Date of Patent:** **** May 14, 2002**

(54) **VEHICLE WITH CLOSED LIFTGLASS ASSEMBLY**

D445,747 S * 7/2001 Martin et al. D12/196
D446,167 S * 8/2001 Faurote et al. D12/91
D447,093 S * 8/2001 Faurote et al. D12/90

(75) Inventors: **David Christopher Mahoney**, Orchard Lake; **Lynn David Dadeppo**, Bloomfield Hills; **Pasquale Lalama**, Sterling Heights; **Phillip Joseph Linson**, Commerce Township; **A. Michael Paiva**, Novi; **Rakesh Sehgal**, Troy, all of MI (US)

* cited by examiner

Primary Examiner—Melody N. Brown
(74) *Attorney, Agent, or Firm*—Gigette Bejin

(57) **CLAIM**

The ornamental design for a vehicle with closed liftglass assembly, as shown and described.

DESCRIPTION

FIG. 1 is a rear-quarter view in perspective view of a motor vehicle that includes a liftglass assembly for closing a rear opening defined in the vehicle body;
FIG. 2 is a top plan view of the vehicle of FIG. 1;
FIG. 3 is a rear elevational view of the vehicle of FIG. 1;
FIG. 4 is a side elevational view of the liftglass assembly of FIG. 1 (the other side elevational view being a mirror image hereof);
FIG. 5 is a bottom view of the vehicle liftglass assembly of FIG. 1; and,
FIG. 6 is an interior elevational view of the vehicle liftglass assembly of FIG. 1.
Broken lines are used in the drawings to denote certain subject matter, for example, environmental structure or boundaries, that form no part of the design to be patented.

(73) Assignee: **Ford Global Technologies, Inc.**, Dearborn, MI (US)

(**) Term: **14 Years**

(21) Appl. No.: **29/145,409**

(22) Filed: **Jul. 23, 2001**

(51) **LOC (7) Cl.** **12-16**

(52) **U.S. Cl.** **D12/196**

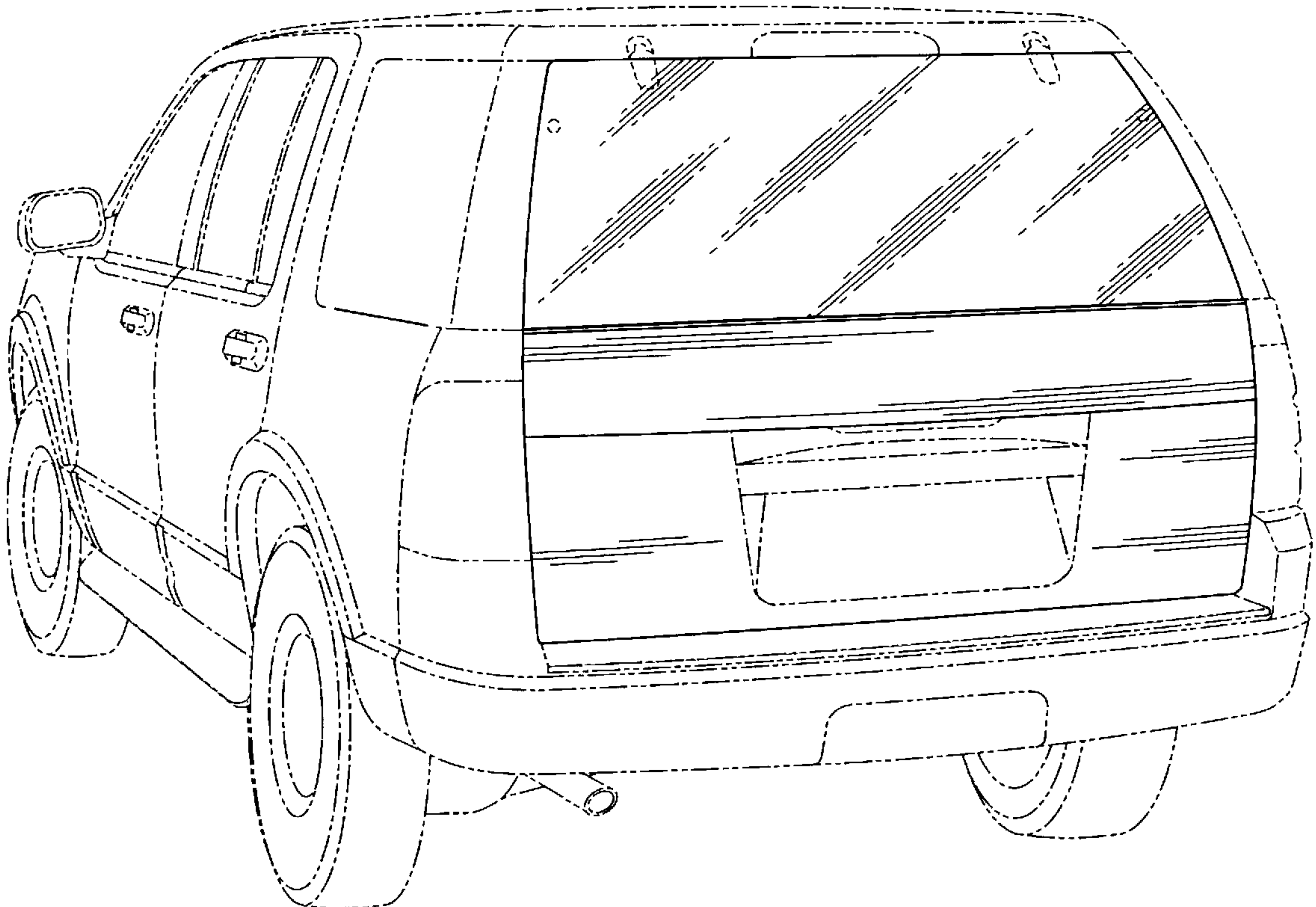
(58) **Field of Search** D12/196, 90, 91;
296/185

(56) **References Cited**

U.S. PATENT DOCUMENTS

D421,949 S * 3/2000 Shimazu D12/196
D425,003 S * 5/2000 Gabath D12/196
D441,691 S * 5/2001 Pfeiffer et al. D12/90

1 Claim, 4 Drawing Sheets



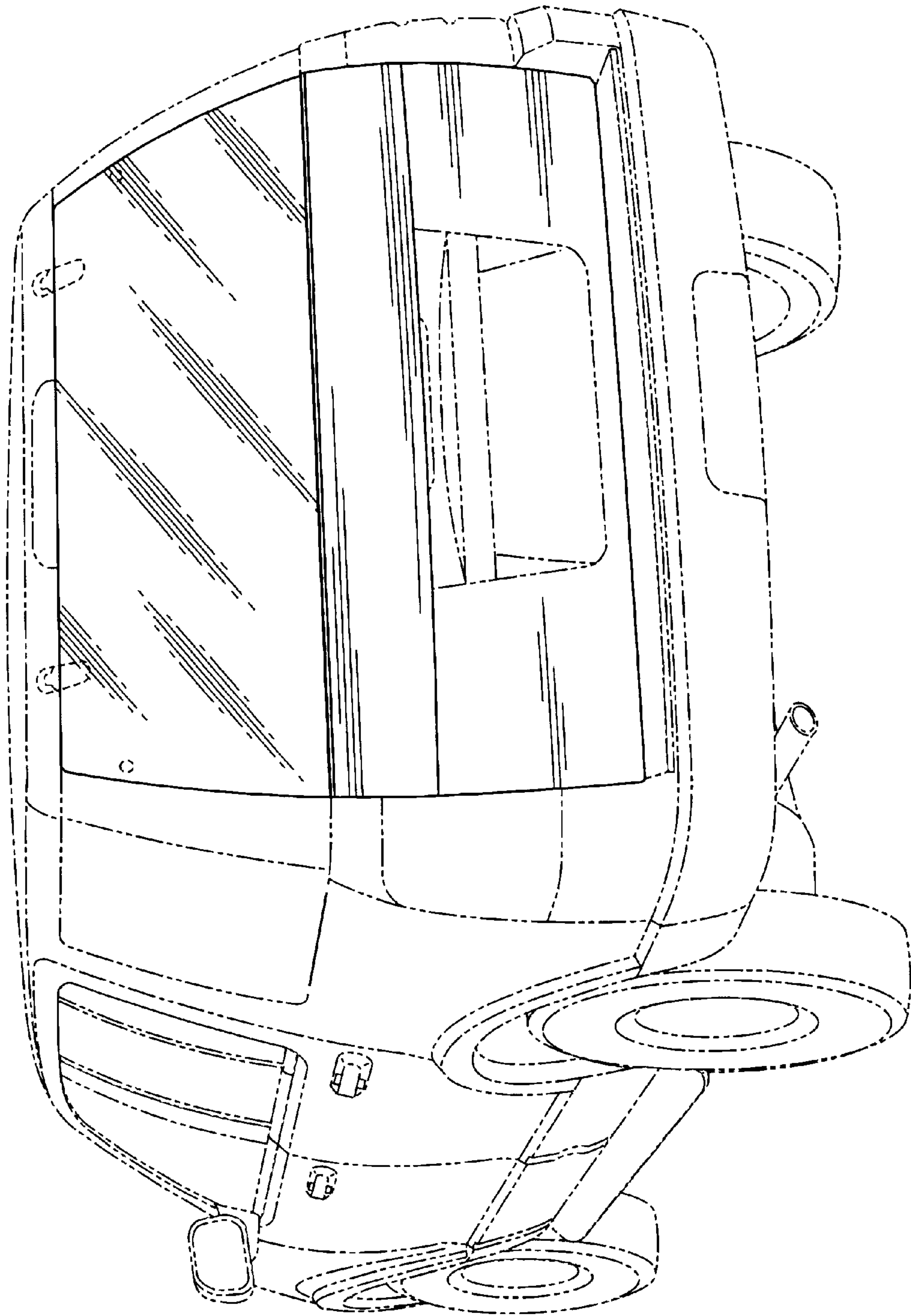


Fig. 1

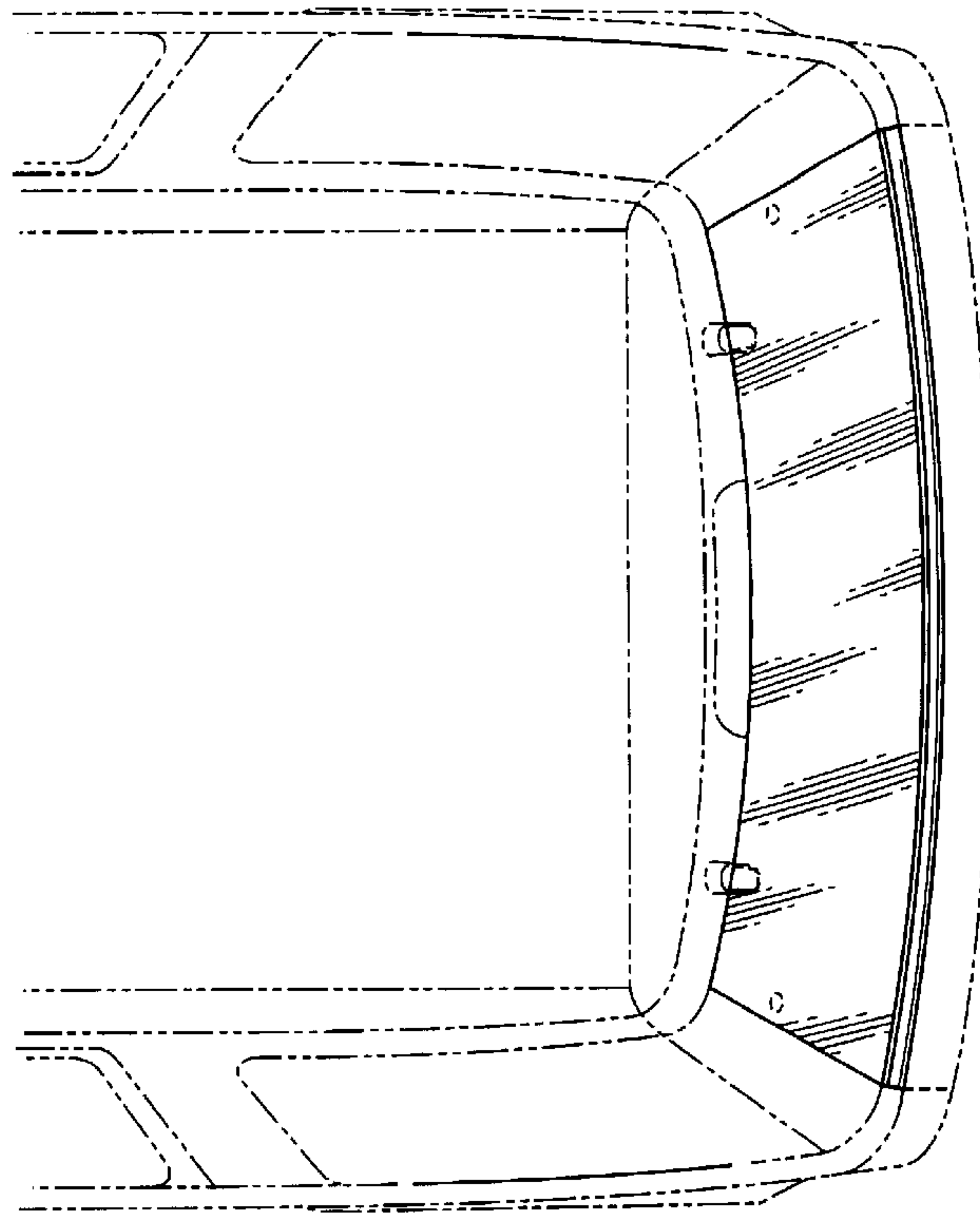


Fig. 2

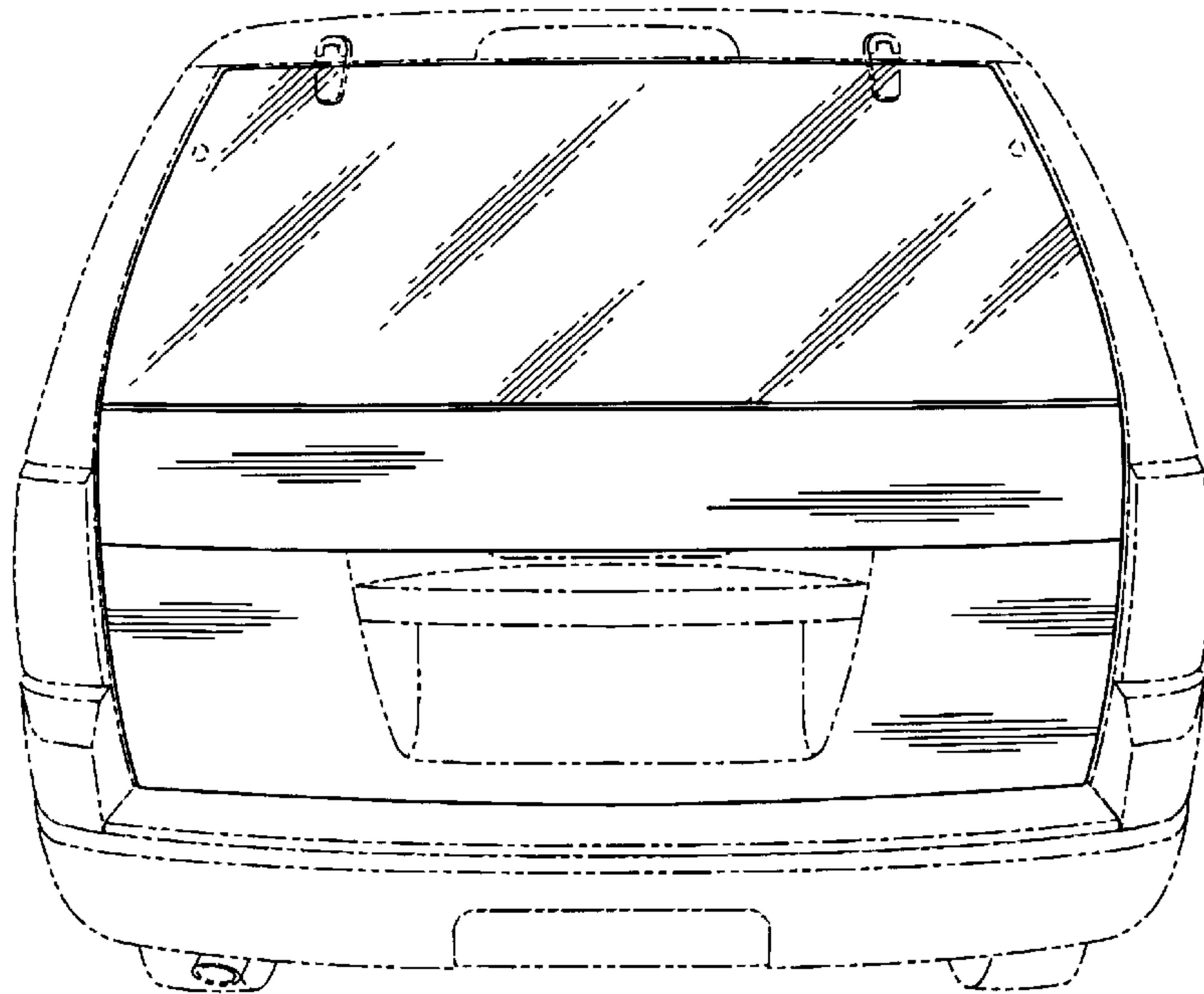


Fig. 3

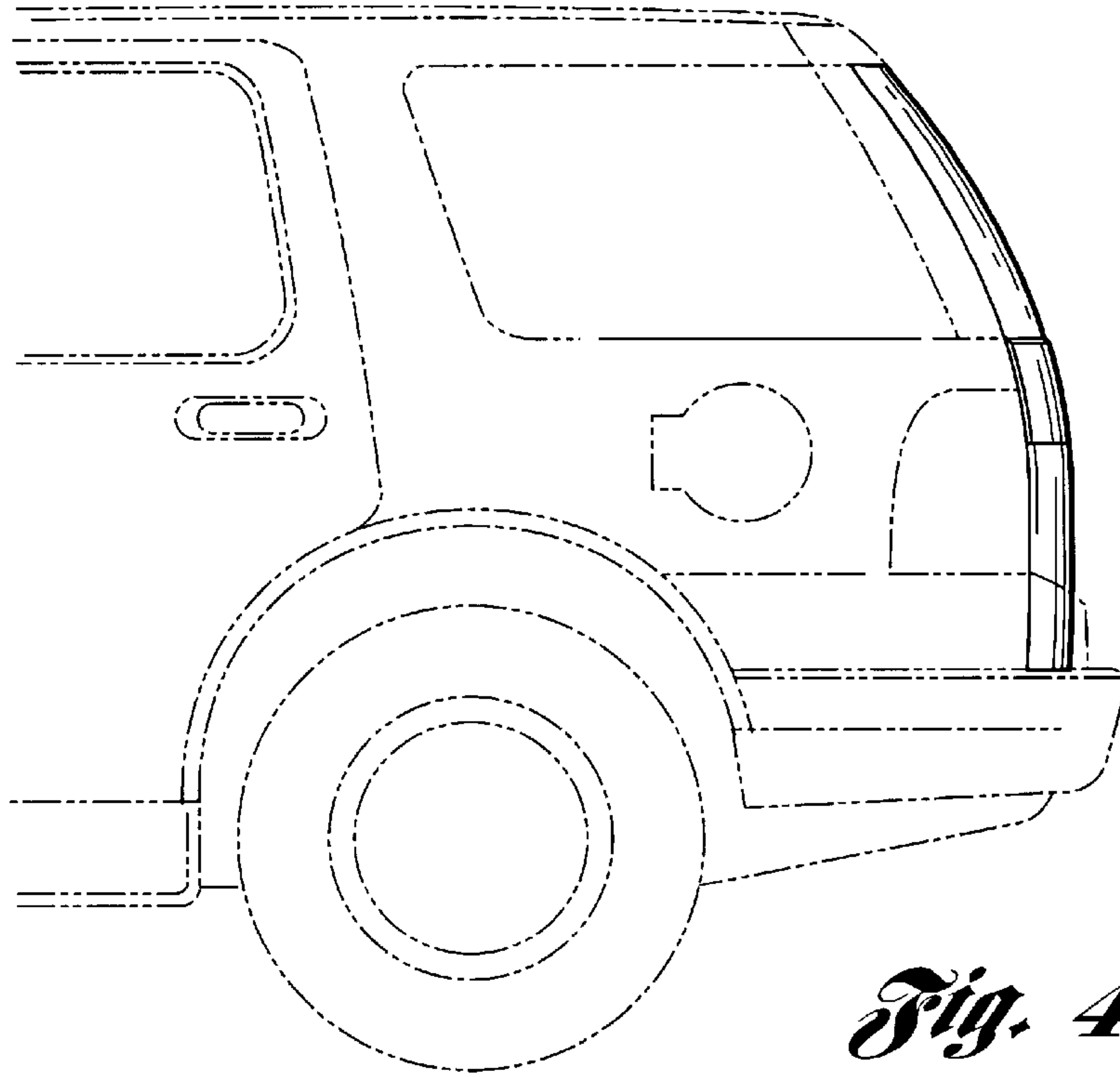


Fig. 4

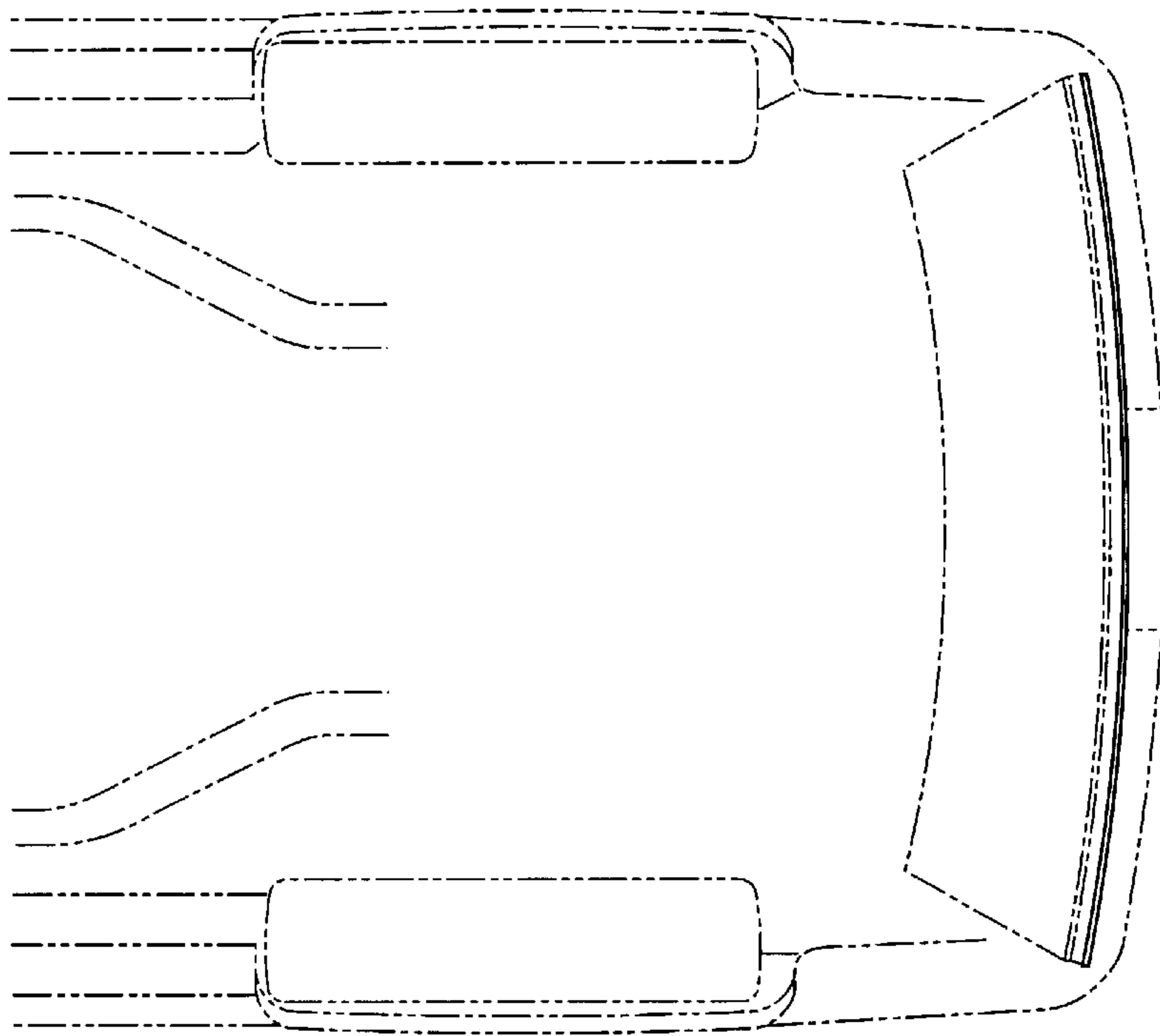


Fig. 5

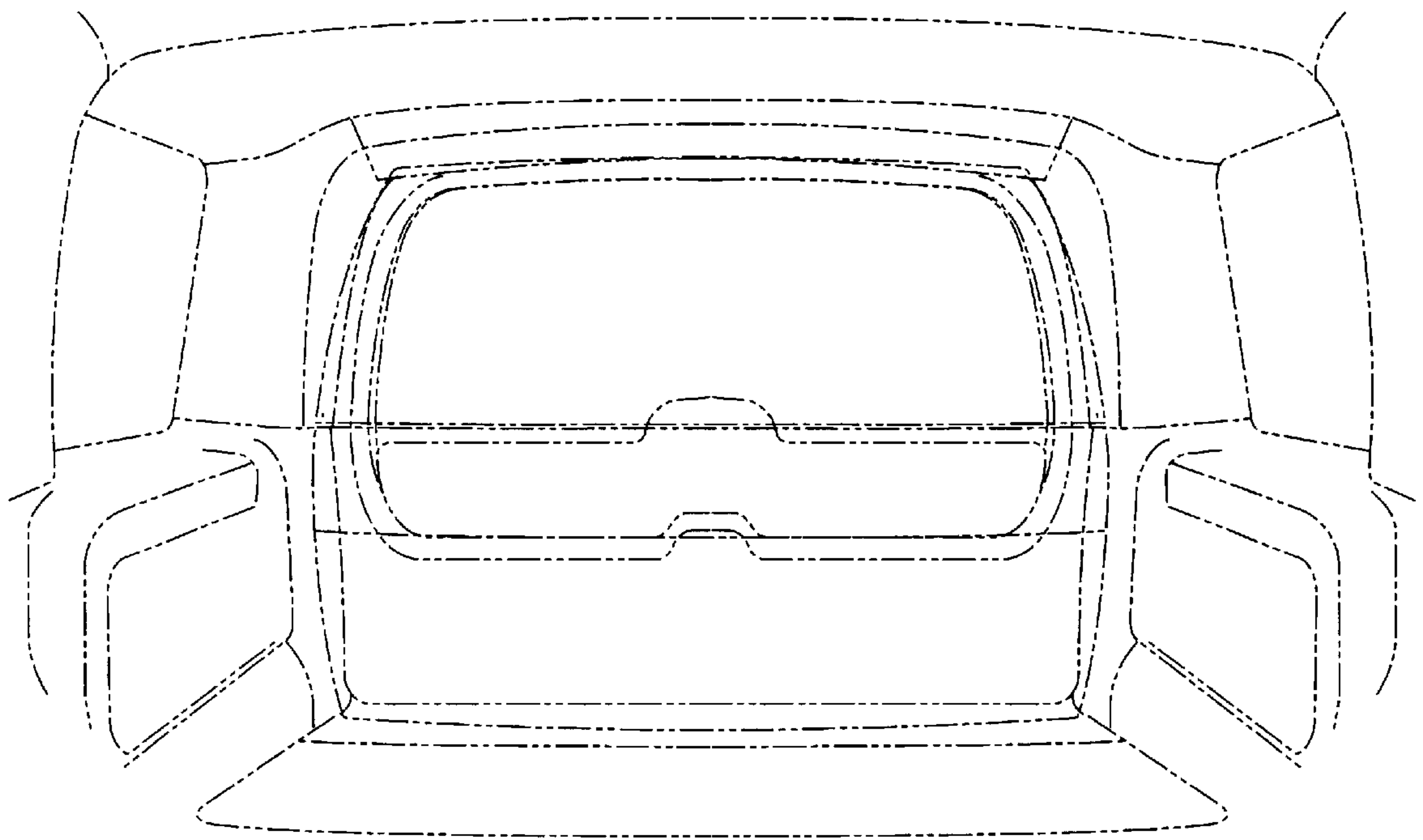


Fig. 6