



US00D457114S

(12) **United States Design Patent**
Lang et al.

(10) **Patent No.:** **US D457,114 S**

(45) **Date of Patent:** **** May 14, 2002**

(54) **MIRROR ASSEMBLY**

FOREIGN PATENT DOCUMENTS

(75) Inventors: **Heinrich Lang**, Ergersheim (DE);
Alexander Stenzel, Columbia, SC (US)

DE 3614927 A1 11/1997

OTHER PUBLICATIONS

(73) Assignee: **Lang-Mekra North America, LLC**,
Ridgeway, SC (US)

Mekra Brochure, Mekra Rangau Plastics GmbH & I C. KG,
pp. 1-3 and 15-57, Dec. 1995.

(**) Term: **14 Years**

Brochure: "Increase Blindsight Vision. Improve Safety and
Savings!," Motor Mirror Incorporated, Arlington, Texas,
1990.

(21) Appl. No.: **29/136,036**

Brochure: "Expand Your Vision Without Looking for
Trouble!," Motor Mirror Incorporated, Arlington, Texas,
1990.

(22) Filed: **Jan. 24, 2001**

Brochure: "Fleet Products", Velvac, Inc., 1995.

Related U.S. Application Data

Brochure: "The Tracker Remote Control Mirror", Cham-
-Cal Engineering Co., Undated.

(63) Continuation of application No. 29/110,447, filed on Sep. 7,
1999, now abandoned.

Brochure: "Take A Look At The ProView Motorized Mirrors
from Retrac Mirrors", Retrac Mirrors, Undated.

(51) **LOC (7) Cl.** **12-16**

Primary Examiner—Alan P. Douglas

(52) **U.S. Cl.** **D12/187**; D12/188

Assistant Examiner—Clare E. Heflin

(58) **Field of Search** D12/187-189;
D6/300, 309; D28/64.6; 359/838, 841, 843,
844, 850, 868, 871, 872, 874, 876, 877,
881; 248/475.1, 480

(74) *Attorney, Agent, or Firm*—Dority & Manning, P.A.

(57) **CLAIM**

The ornamental design for a mirror assembly, as shown and
described.

(56) **References Cited**

DESCRIPTION

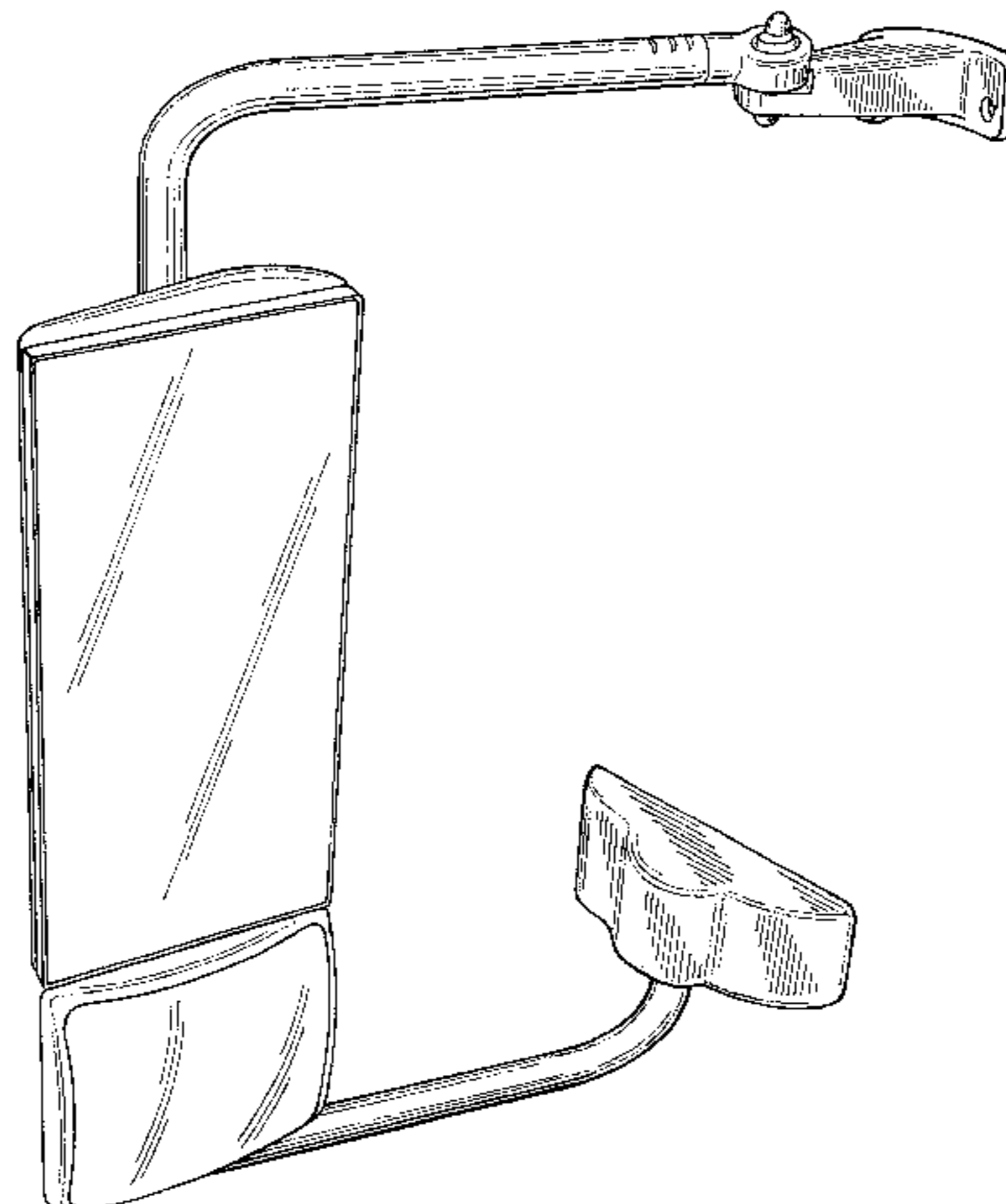
U.S. PATENT DOCUMENTS

2,458,117 A	1/1949	Tolbert
3,107,077 A	10/1963	Lassa
3,119,591 A	1/1964	Malecki
3,170,985 A	2/1965	Katulich
3,189,309 A	6/1965	Hager
3,339,876 A	9/1967	Kampa
3,346,229 A	10/1967	Carson
3,371,903 A	3/1968	Thompson
3,372,897 A	3/1968	Lee
3,375,053 A	3/1968	Ward
3,384,334 A	5/1968	Malachowski
3,408,136 A	10/1968	Travis
3,476,464 A	11/1969	Clark
3,563,638 A	2/1971	Panozzo

FIG. 1 is a front perspective view of a mirror assembly
according to the present design;
FIG. 2 is a left side perspective view thereof;
FIG. 3 is a front view thereof;
FIG. 4 is a left side view thereof;
FIG. 5 is a right side view thereof;
FIG. 6 is a rear view thereof;
FIG. 7 is a top view thereof;
FIG. 8 is a bottom view thereof; and,
FIG. 9 is a left side perspective view of a mirror assembly
showing a second embodiment of our new design, it being
understood that the sole difference is the inclusion of an
antenna mount; all remaining views being the same as the
first embodiment as shown in FIGS. 1-8.

(List continued on next page.)

1 Claim, 8 Drawing Sheets



US D457,114 S

Page 2

U.S. PATENT DOCUMENTS

3,637,186 A	1/1972	Greenfield	5,566,030 A	10/1996	Yue
3,671,005 A	6/1972	Schultz	5,615,054 A	3/1997	Lang et al.
3,936,158 A	2/1976	Cianciolo et al.	5,621,577 A	4/1997	Lang et al.
4,077,597 A	3/1978	Greig	D385,243 S	10/1997	Lang
4,349,247 A	9/1982	Koyama et al.	5,687,035 A	11/1997	Lang
4,549,786 A	10/1985	Albers et al.	D387,317 S	12/1997	Lang
4,623,115 A	11/1986	Brester	D390,522 S	2/1998	Nagayama
4,747,679 A	5/1988	Beach, Jr.	5,760,980 A	6/1998	Lang
4,778,265 A	10/1988	Fingerle et al.	D397,072 S	8/1998	Hellhake et al.
4,787,726 A	11/1988	Hendricks	5,798,882 A	8/1998	Lang
4,929,074 A	5/1990	Urban	D397,658 S	9/1998	Kim et al.
4,951,913 A	8/1990	Quesada	5,823,501 A	10/1998	Schmidt et al.
4,991,814 A	2/1991	Schmidt et al.	D403,286 S	12/1998	Kim et al.
4,991,950 A	2/1991	Lang et al.	D403,287 S	12/1998	Kim et al.
D315,710 S	3/1991	Ropolo	D407,361 S	3/1999	Lang
5,022,748 A	6/1991	Espirito Santo	5,880,895 A	3/1999	Lang et al.
5,044,596 A	9/1991	Do Espirito Santo	5,889,627 A	3/1999	Englander et al.
5,044,739 A	9/1991	Do Espirito Santo	D409,127 S	5/1999	Kim et al.
5,069,539 A	12/1991	Valde	5,984,482 A	11/1999	Rumsey et al.
5,081,546 A	1/1992	Bottrill	D418,788 S	1/2000	Iacovelli et al.
5,107,374 A	4/1992	Valde	D424,001 S	5/2000	Englander
5,110,196 A	5/1992	Lang et al.	D425,841 S	5/2000	Turner
5,120,015 A	6/1992	Do Espirito Santo	6,068,380 A	5/2000	Lynn et al.
5,137,247 A	8/1992	Lang et al.	D426,182 S	6/2000	Brown
5,225,943 A	7/1993	Lupo	D427,127 S	6/2000	Horowitz
5,268,796 A	12/1993	Tomerlin et al.	D431,219 S	9/2000	Englander et al.
D353,795 S	12/1994	Ayala	D431,508 S	10/2000	Matsumoto et al.
5,483,385 A	1/1996	Boddy	6,174,062 B1	1/2001	Schillegger et al.

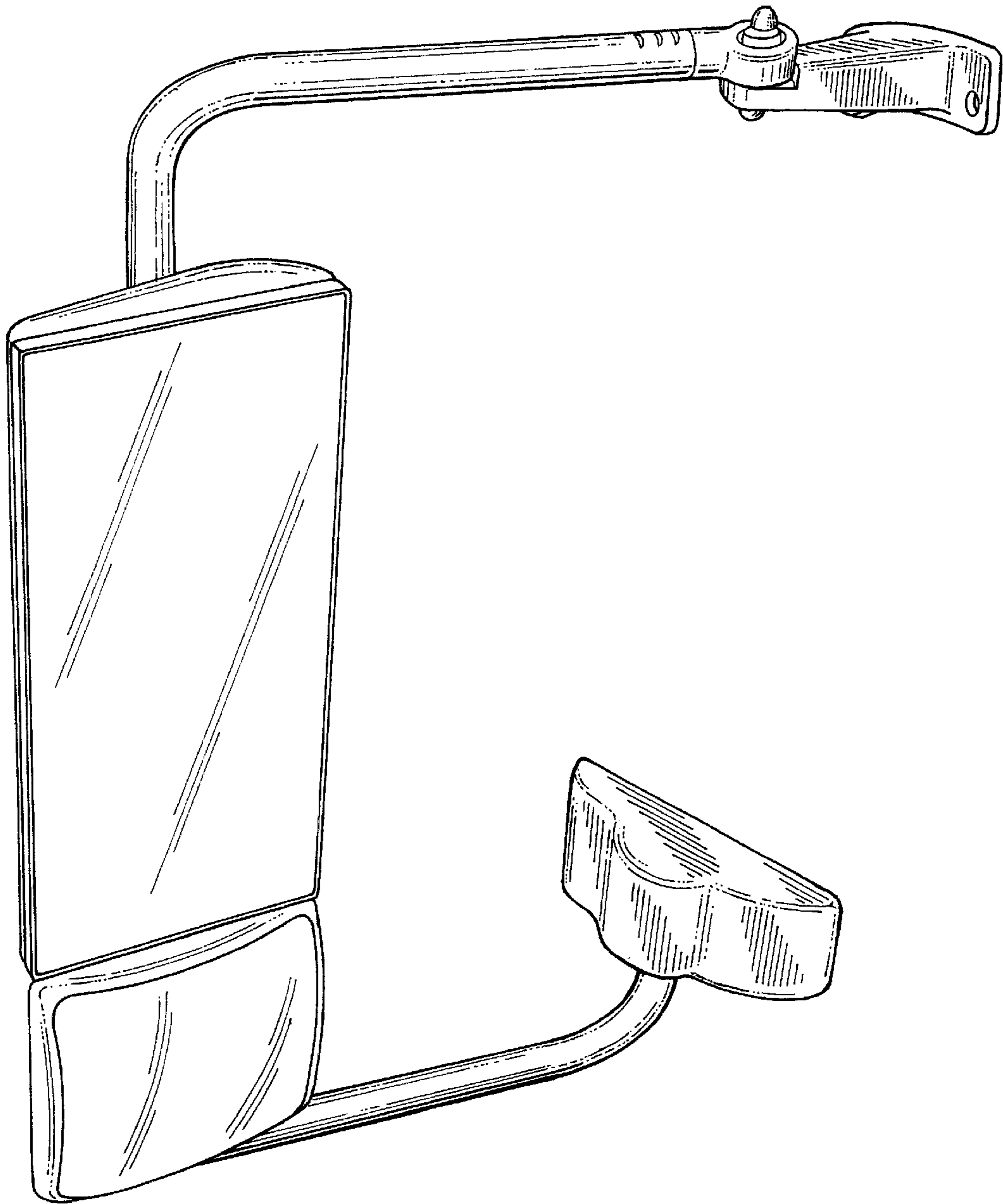


Fig. 1

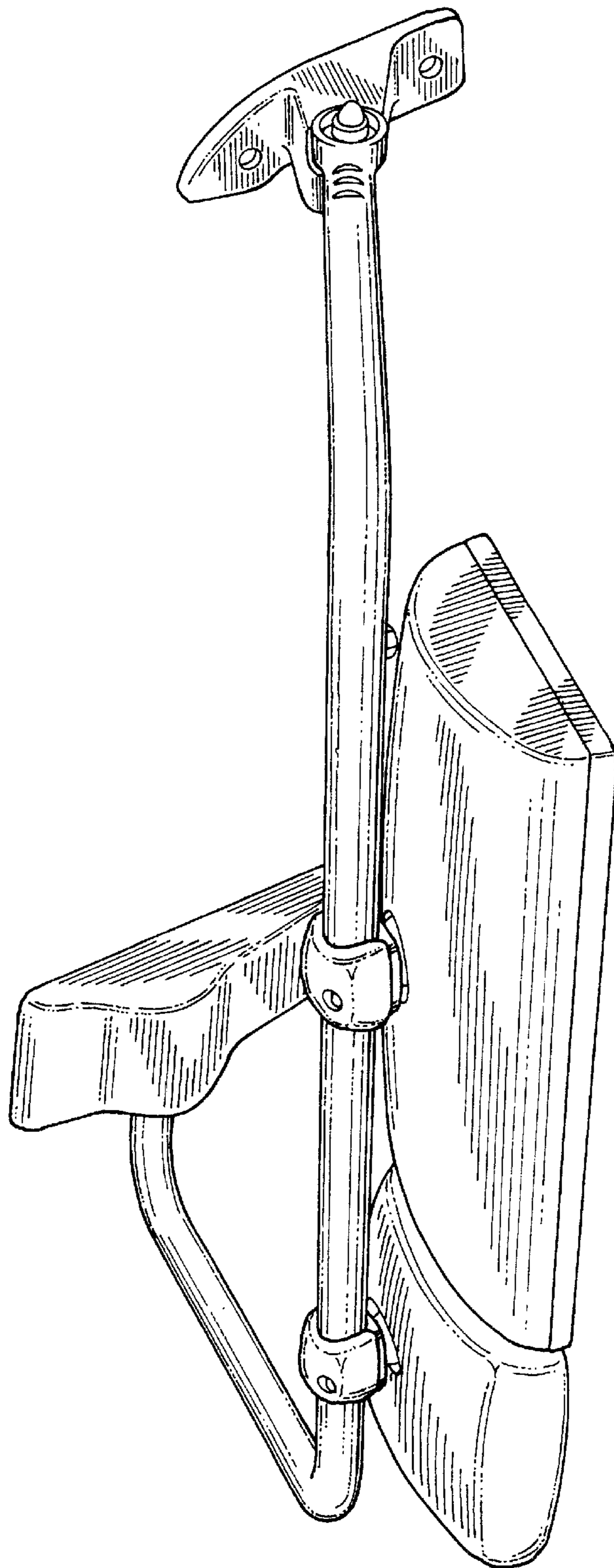


Fig. 2

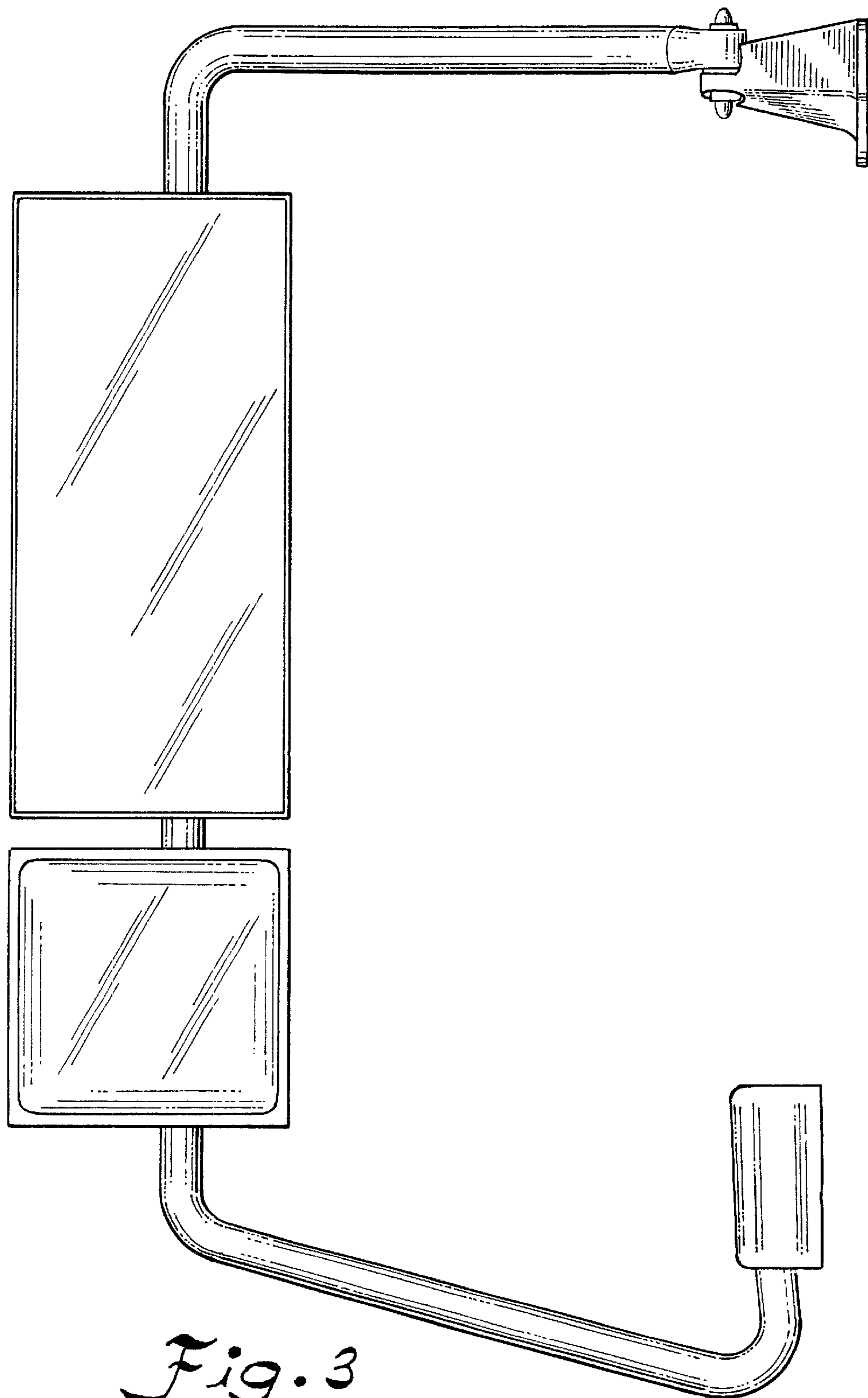


Fig. 3

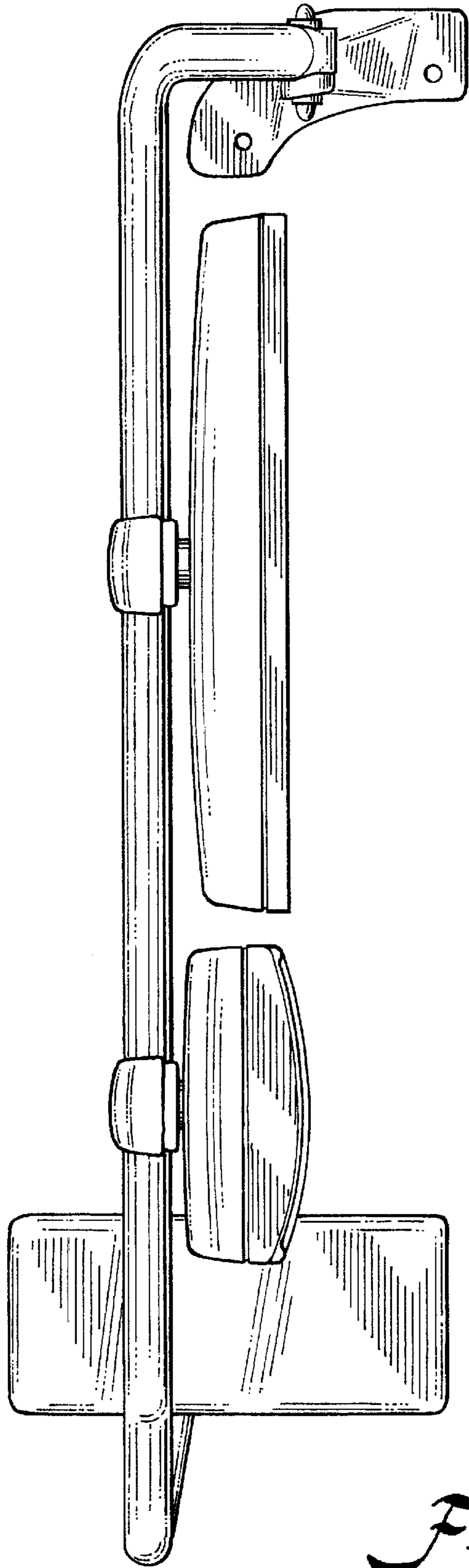


Fig. 4

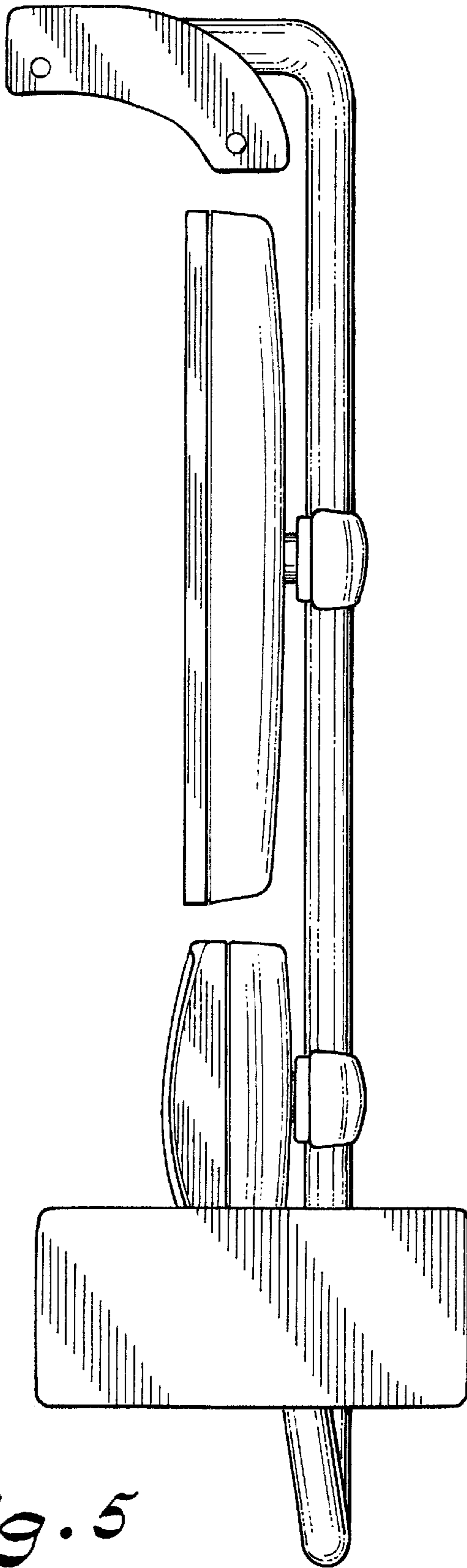


Fig. 5

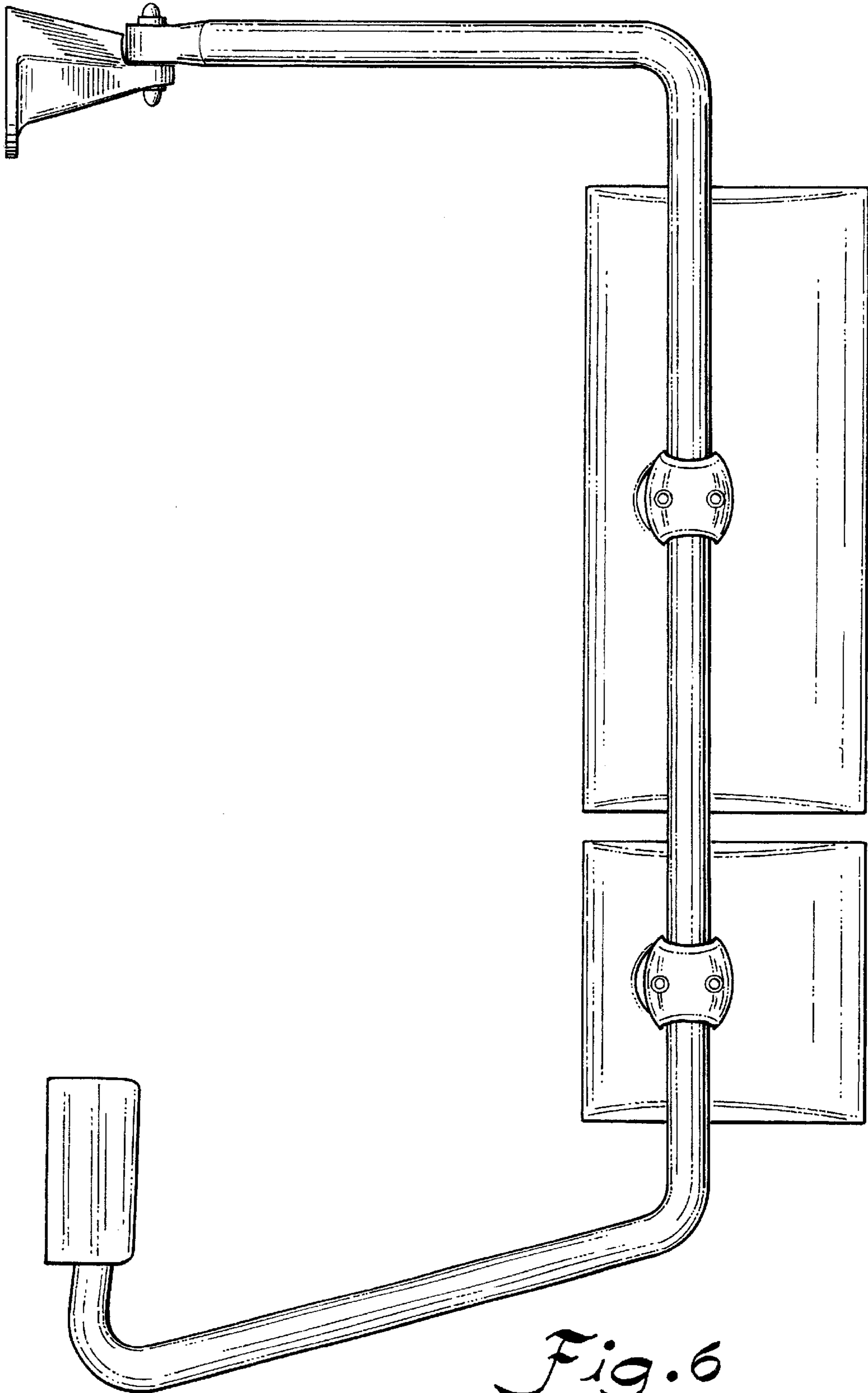


Fig. 6

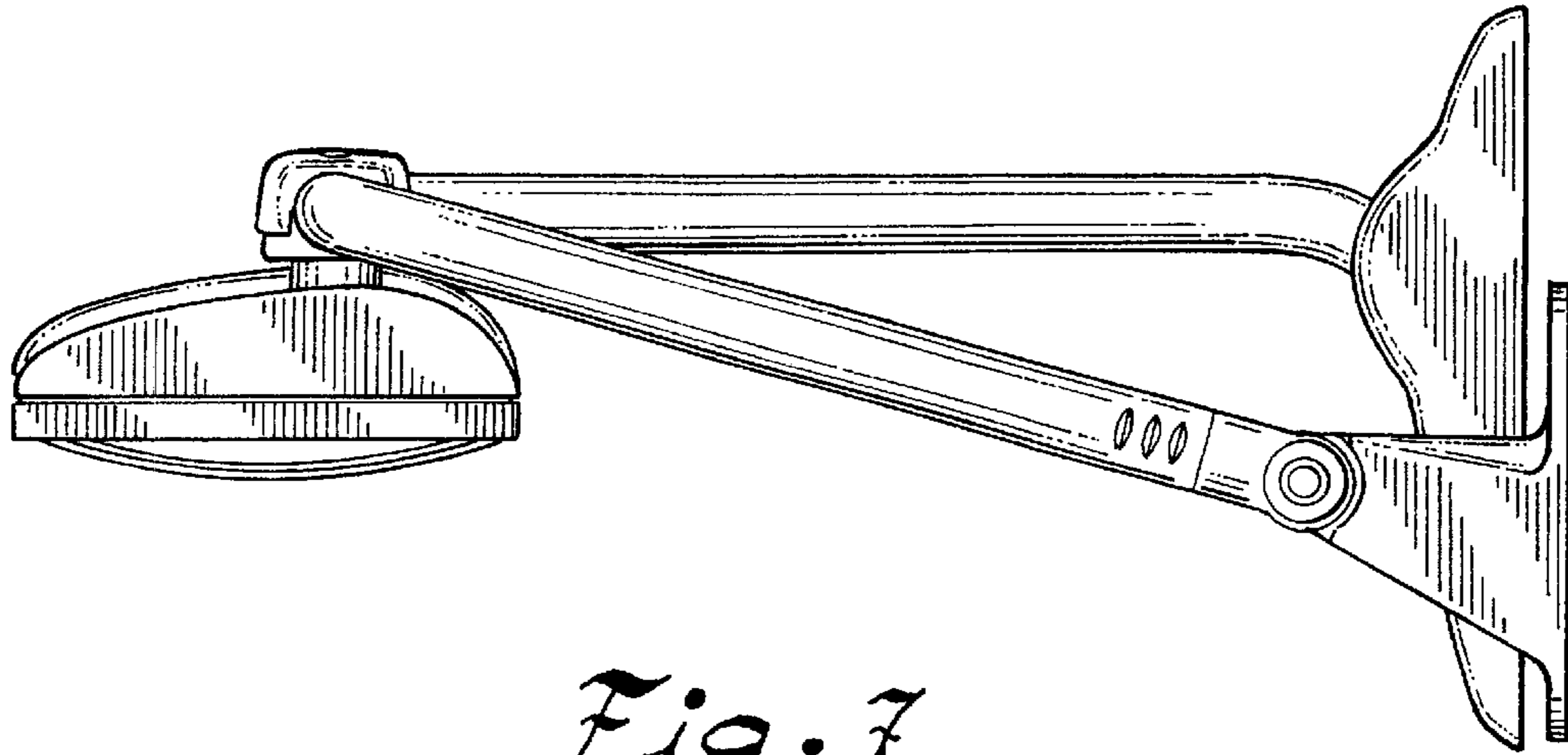


Fig. 7

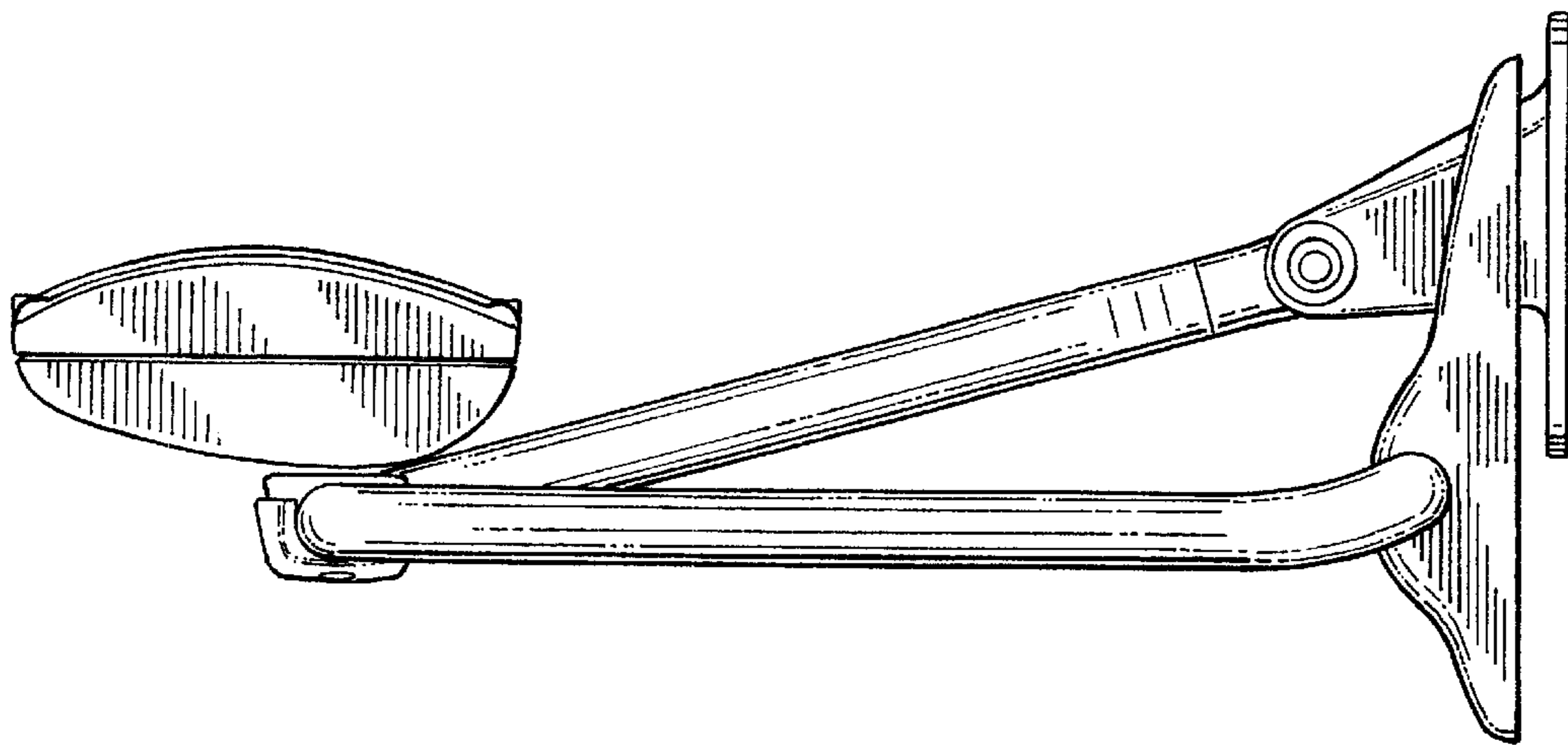


Fig. 8

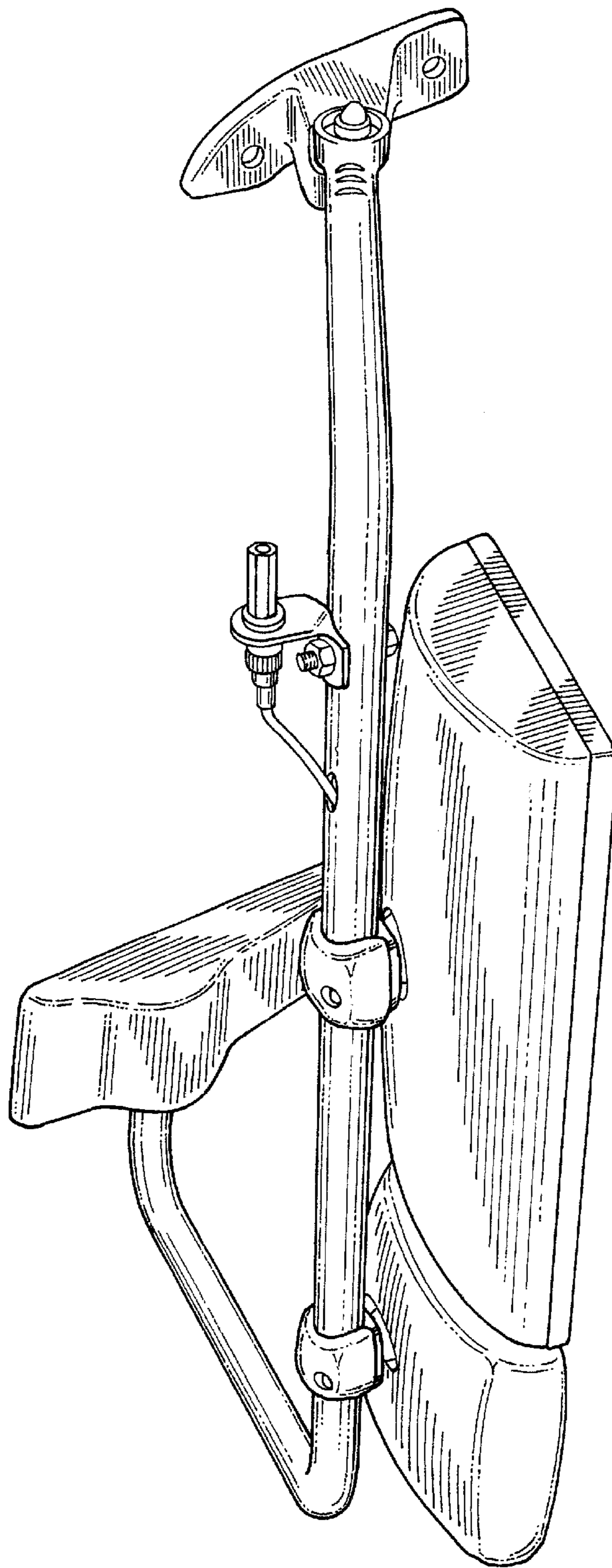


Fig. 9