



US00D457113S

(12) **United States Design Patent**
Zapushek et al.

(10) **Patent No.:** **US D457,113 S**

(45) **Date of Patent:** **** May 14, 2002**

(54) **LOCK CONSTRUCTION**

DE G 92 14 195.1 11/1993

(75) Inventors: **John B. Zapushek**, Racine, WI (US);
Jerry R. Smith, Littleton, CO (US)

OTHER PUBLICATIONS

U.S. application No. 09/511,230 for Zapushek et al. filed on Feb. 23, 2000.

(73) Assignee: **Master Lock Company**, Milwaukee, WI (US)

* cited by examiner

(**) Term: **14 Years**

Primary Examiner—Stacia Cadmus

(21) Appl. No.: **29/119,200**

(74) *Attorney, Agent, or Firm*—Calfee, Halter & Griswold

(22) Filed: **Feb. 23, 2000**

(57) **CLAIM**

(51) **LOC (7) Cl.** **12-16**

The ornamental design for a lock construction, as shown and described.

(52) **U.S. Cl.** **D12/162; D8/339**

DESCRIPTION

(58) **Field of Search** D12/162, 400;
D8/330, 331, 339; 70/14, 58, 258, DIG. 57,
232; 280/507, 511–512

FIG. 1 is a perspective view of a lock construction showing our new design, wherein the lock construction is in a closed position;

(56) **References Cited**

U.S. PATENT DOCUMENTS

3,226,133 A	12/1965	Geresy	280/507
3,410,580 A	11/1968	Longenecker	280/507
3,492,023 A	1/1970	Thompson	280/507
3,526,110 A	9/1970	Foote	70/258
3,605,457 A	9/1971	Foster	70/14
3,780,546 A	12/1973	Longenecker	70/58
RE28,187 E	10/1974	Longenecker	280/507
3,977,221 A	8/1976	Foote	70/58
4,163,375 A	8/1979	Fujitaki	70/134
4,291,557 A	9/1981	Bulle et al.	70/58
4,774,823 A	10/1988	Callison	70/232
4,925,205 A	5/1990	Villalon et al.	280/507
5,312,128 A	5/1994	Blacklaw	280/512
5,515,947 A	5/1996	Shieh	188/69
5,752,398 A	5/1998	Villalon, Jr.	70/58
D402,602 S *	12/1998	Niswanger	D12/162
5,873,271 A	2/1999	Smith	70/58
5,937,679 A	8/1999	Villalon, Jr.	70/58
D419,122 S *	1/2000	Stech	D12/162
D436,064 S *	1/2001	Niswanger	D12/162
D444,746 S *	7/2001	Wherley	D12/162

FIG. 2 is a back view thereof;

FIG. 3 is a front view thereof;

FIG. 4 is a left view thereof;

FIG. 5 is a right view thereof;

FIG. 6 is a top view thereof;

FIG. 7 is a bottom view thereof;

FIG. 8 is a perspective view of the lock construction shown in FIG. 1 in an open position;

FIG. 9 is a perspective view of a second alternative embodiment of our new design;

FIG. 10 is a left view thereof;

FIG. 11 is a right view thereof;

FIG. 12 is a bottom view thereof; and,

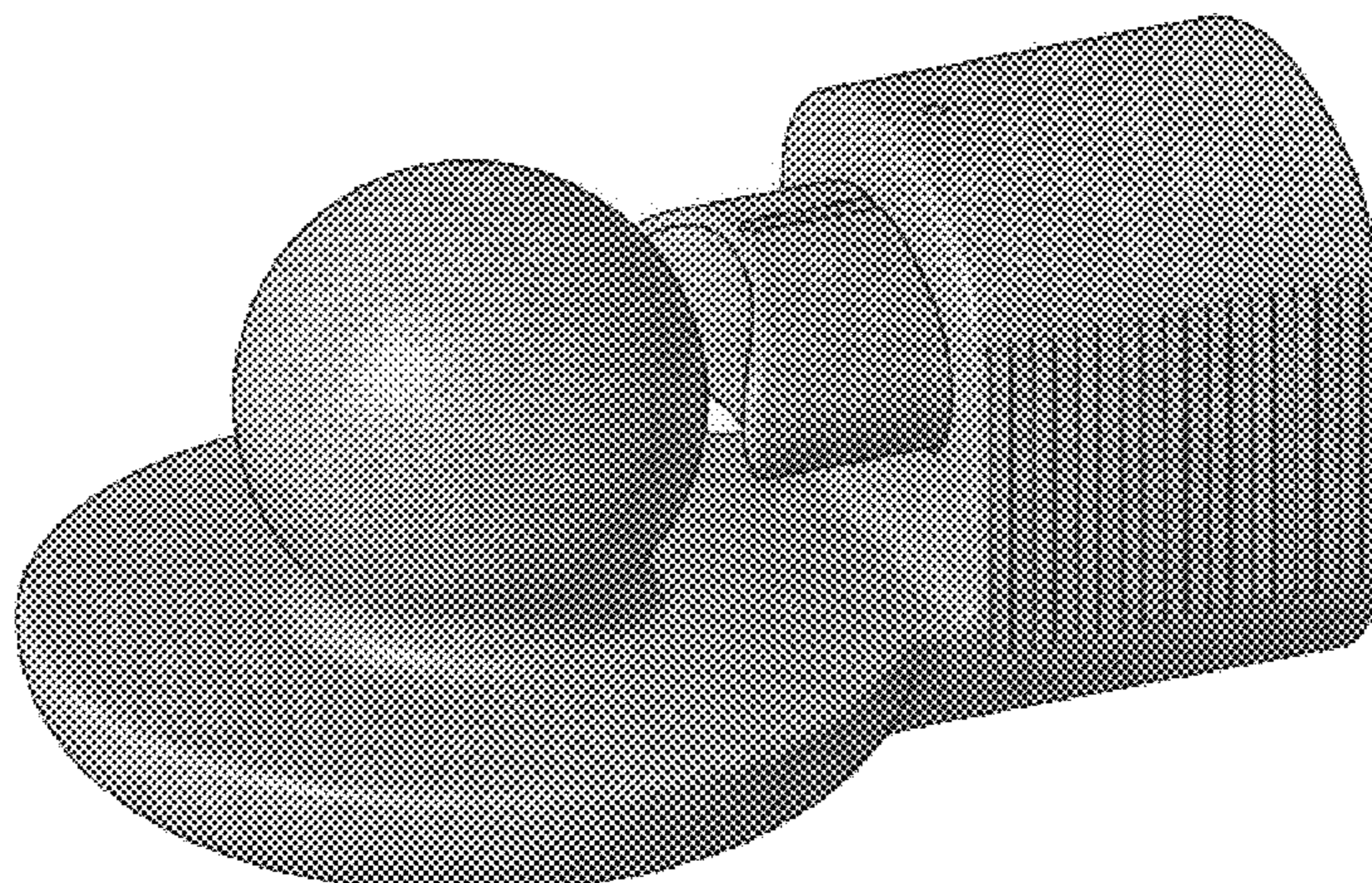
FIG. 13 is a bottom view of a third embodiment of our new design.

The back, front, and top views of the second alternative embodiment are the same as FIGS. 2, 3, and 6 of the first embodiment, respectively, and the perspective, back, front, left, right, and top views of the third alternative embodiment are the same as FIGS. 9, 2, 3, 10, 11, 7 of the second alternative embodiment, respectively. The portions shown in phantom lines are not part of the claimed invention, but are included to shown environment.

FOREIGN PATENT DOCUMENTS

CA 2166245 6/1997

1 Claim, 9 Drawing Sheets



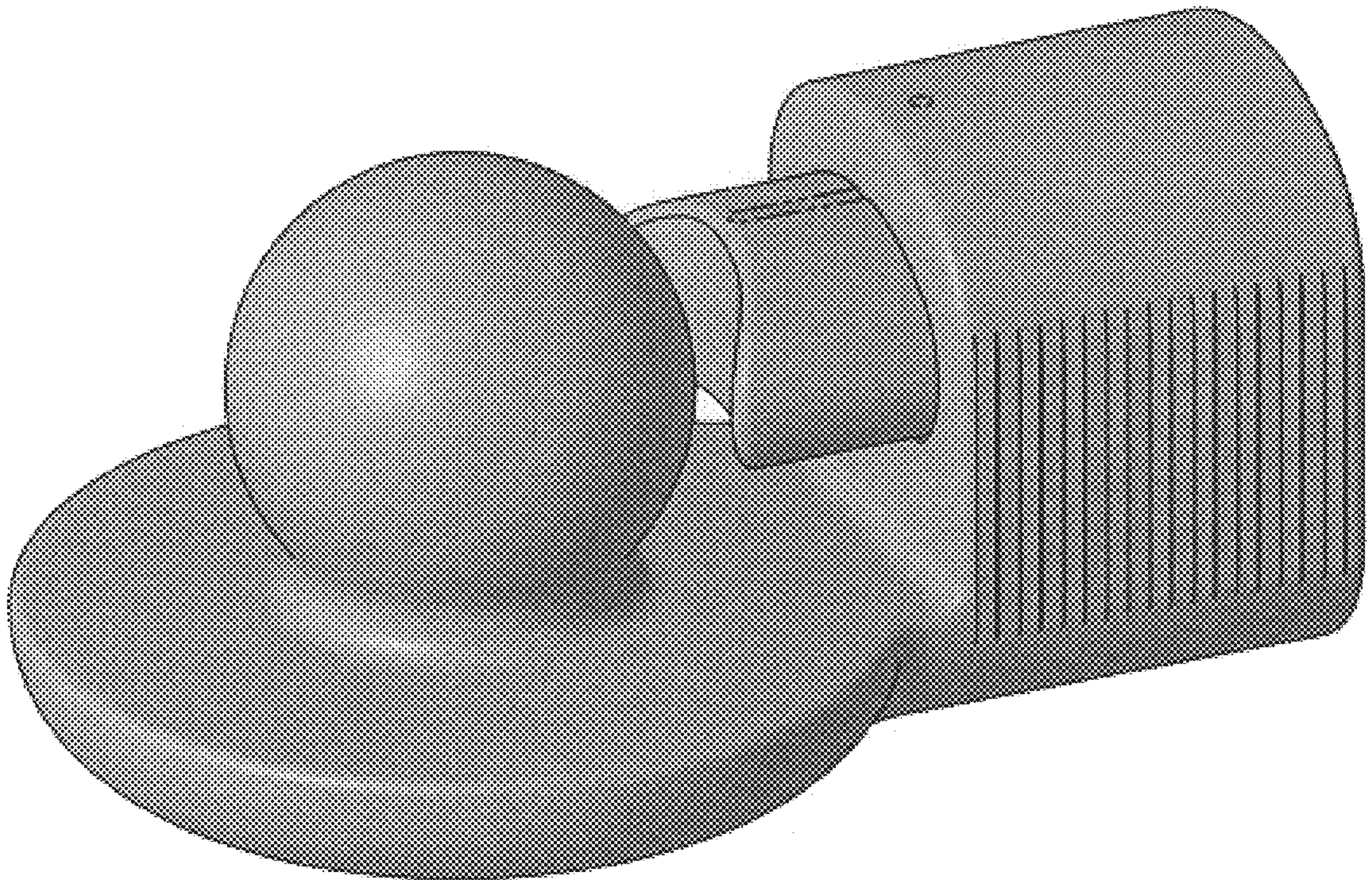


Fig. 1

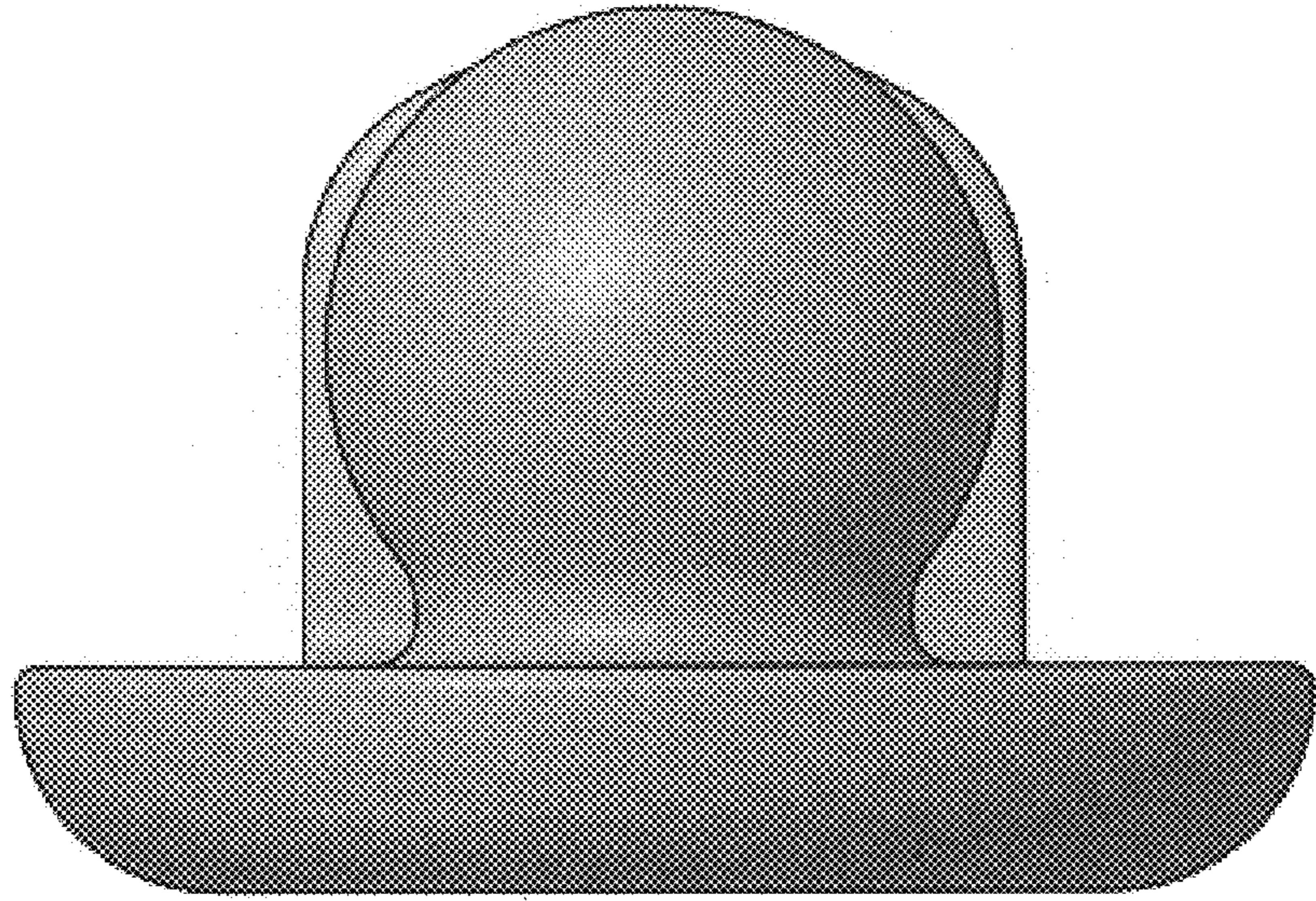


Fig. 2

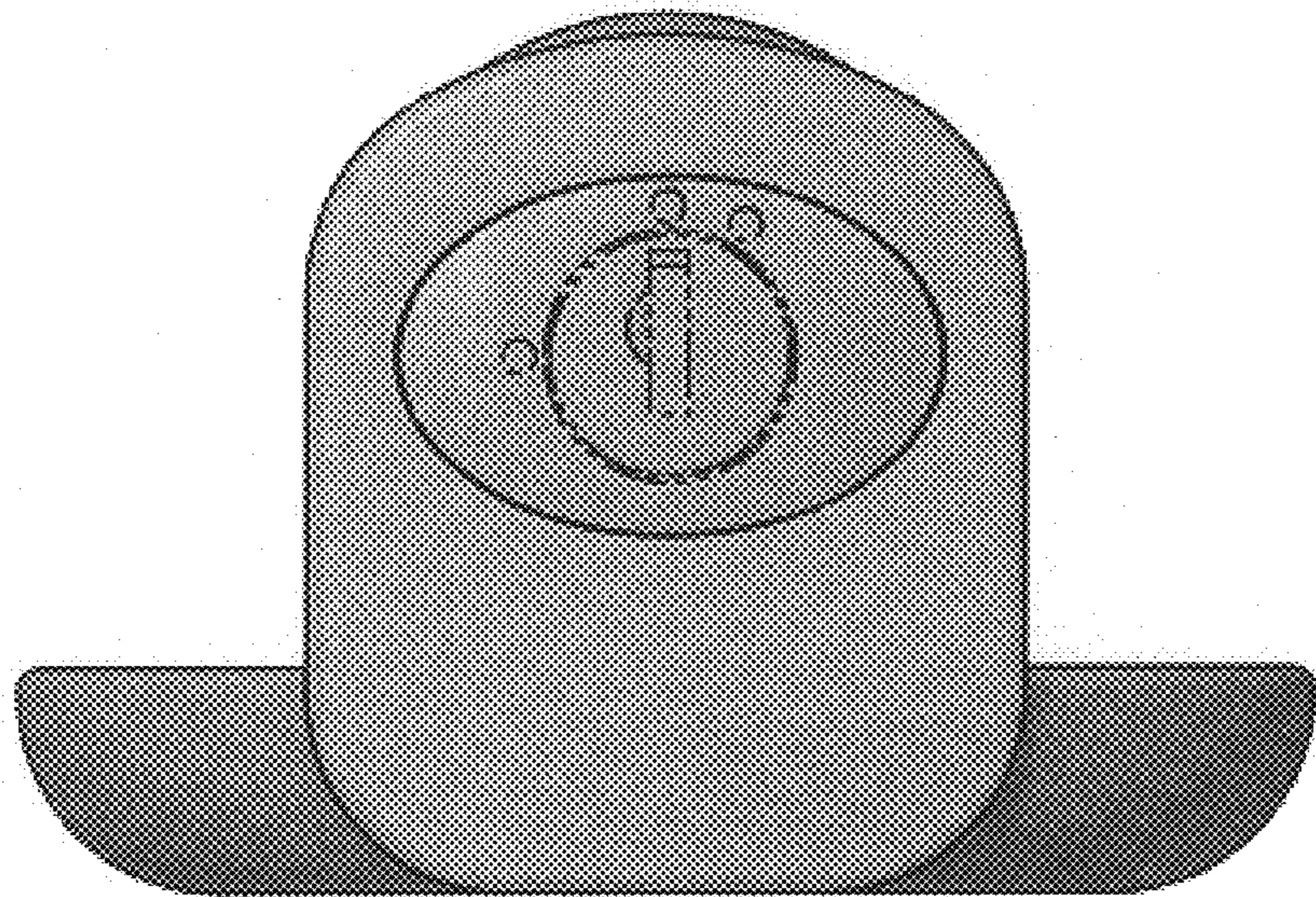


Fig. 3

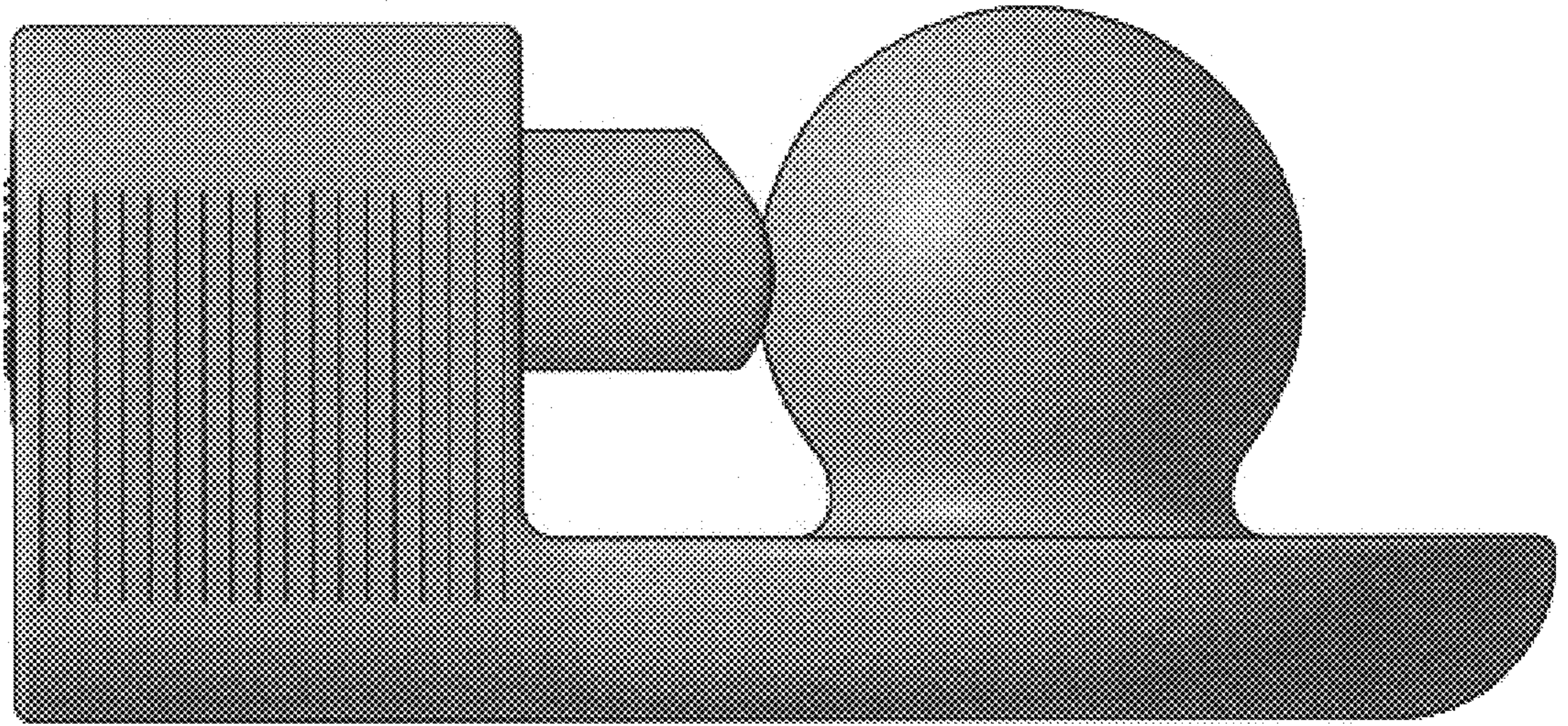


Fig. 4

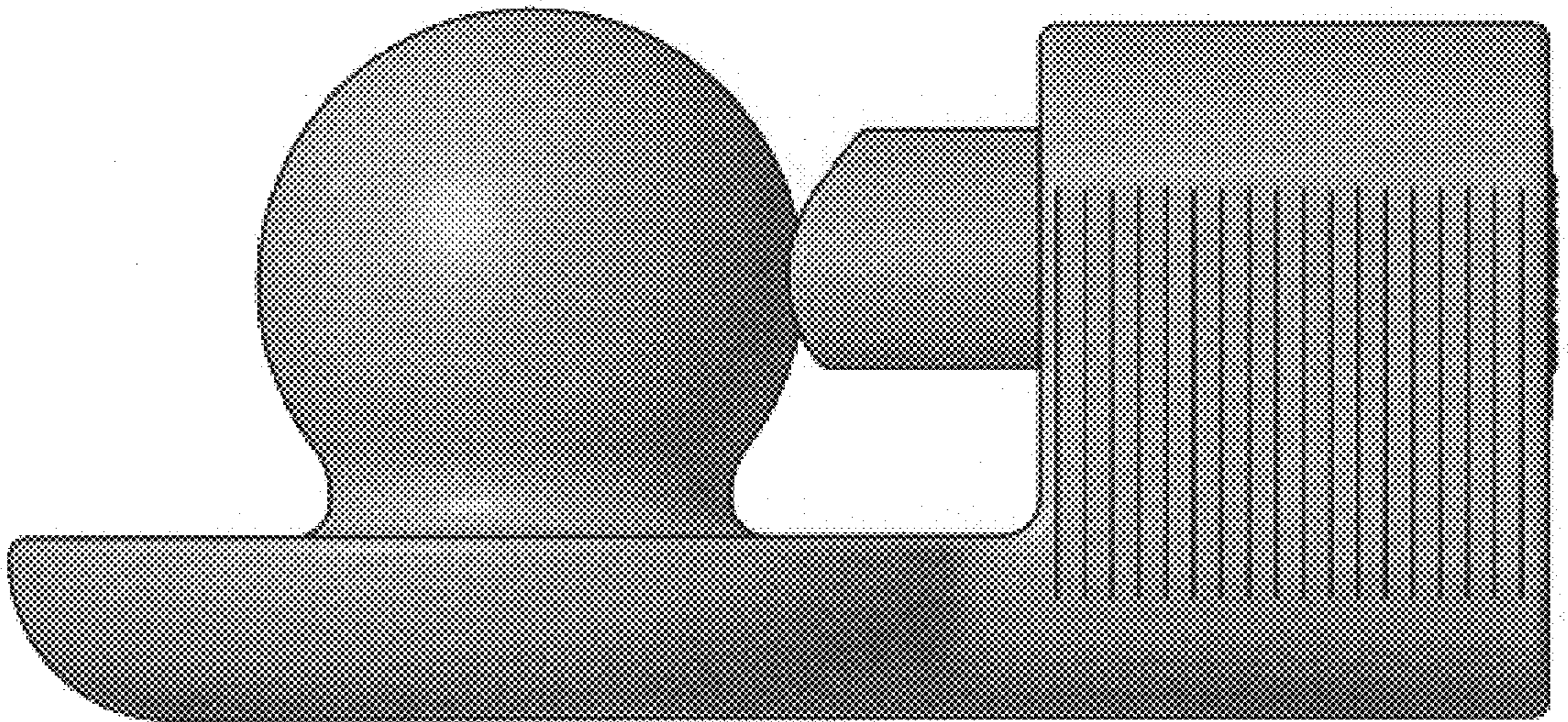


Fig. 5

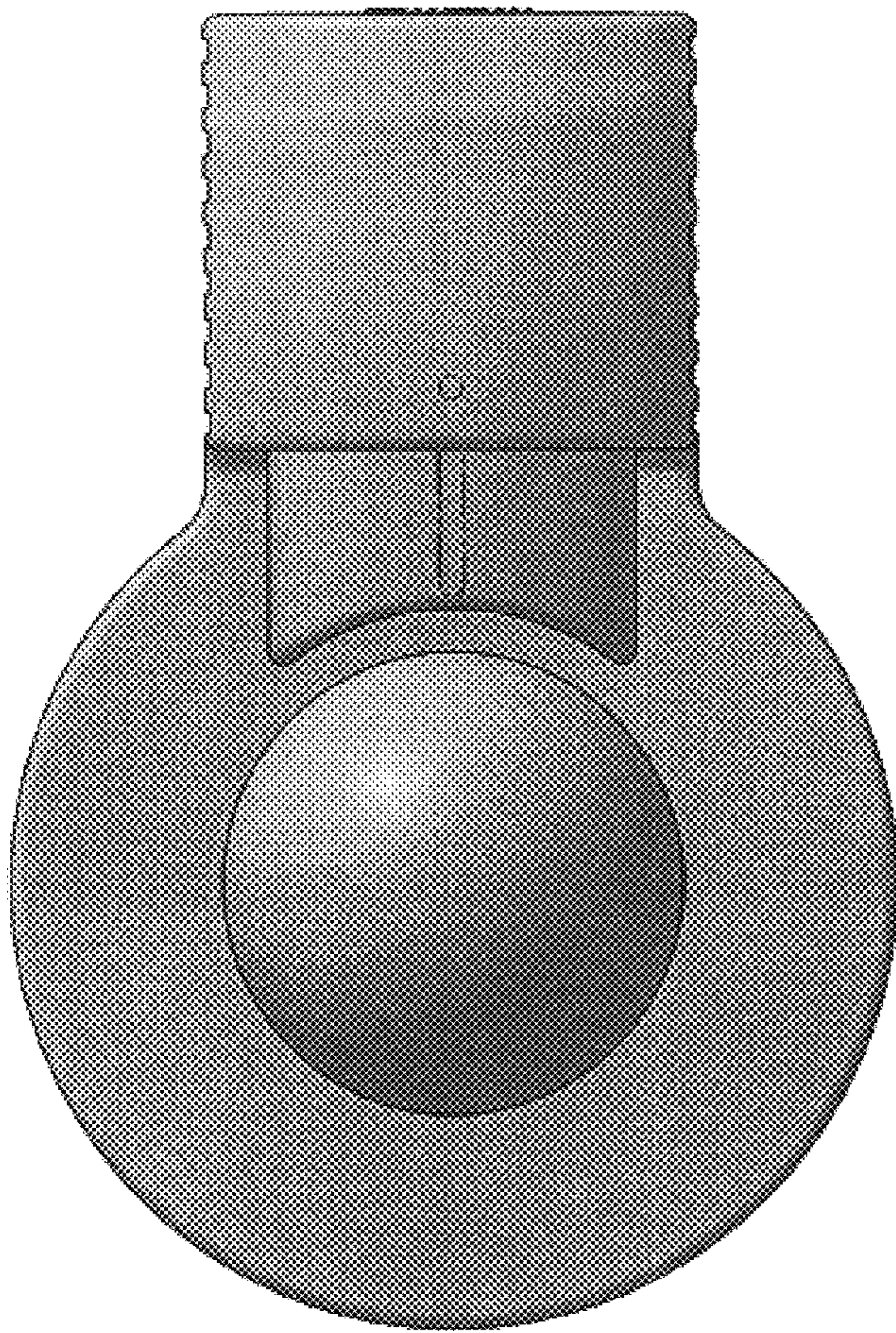


Fig. 6

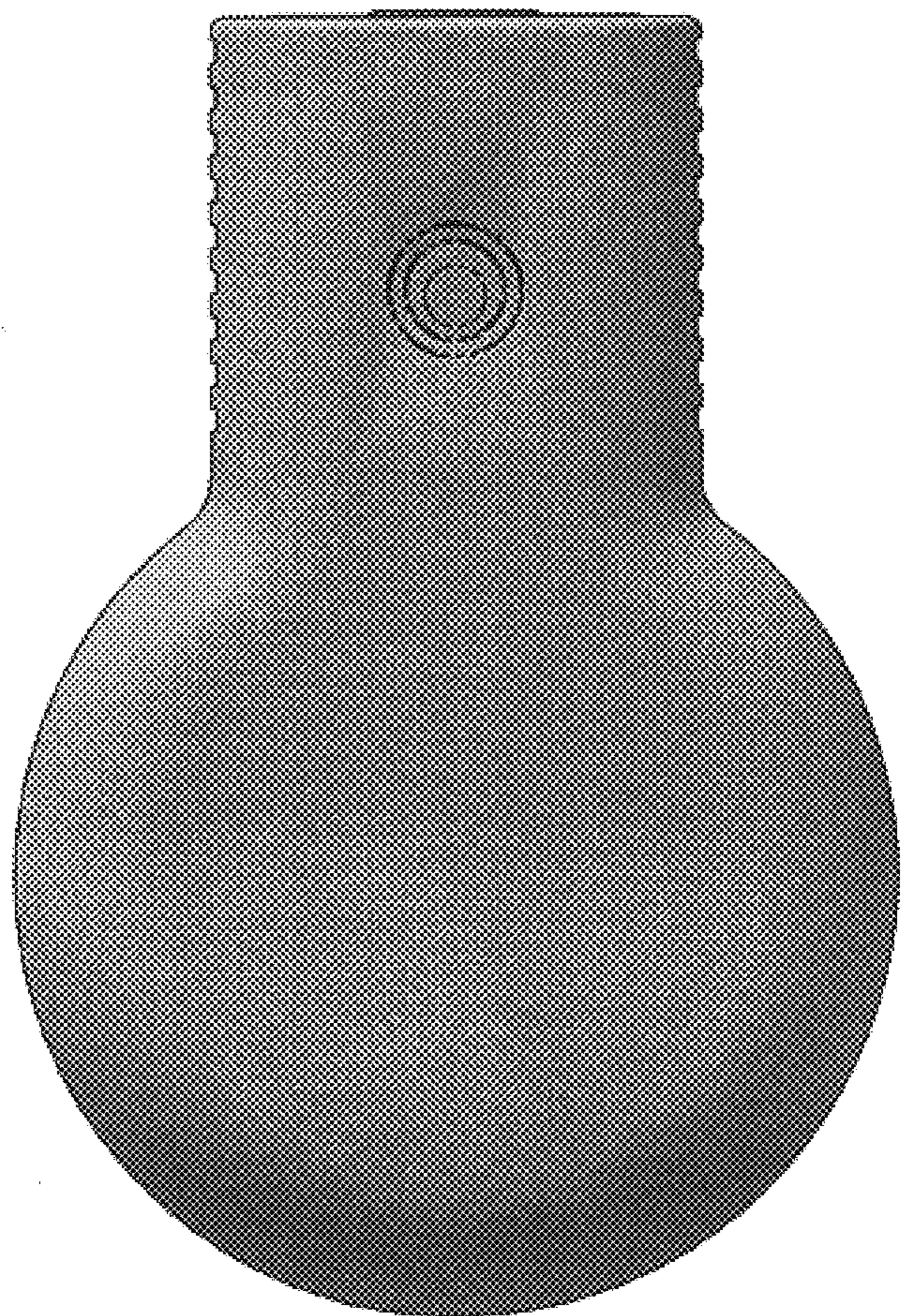


Fig. 7

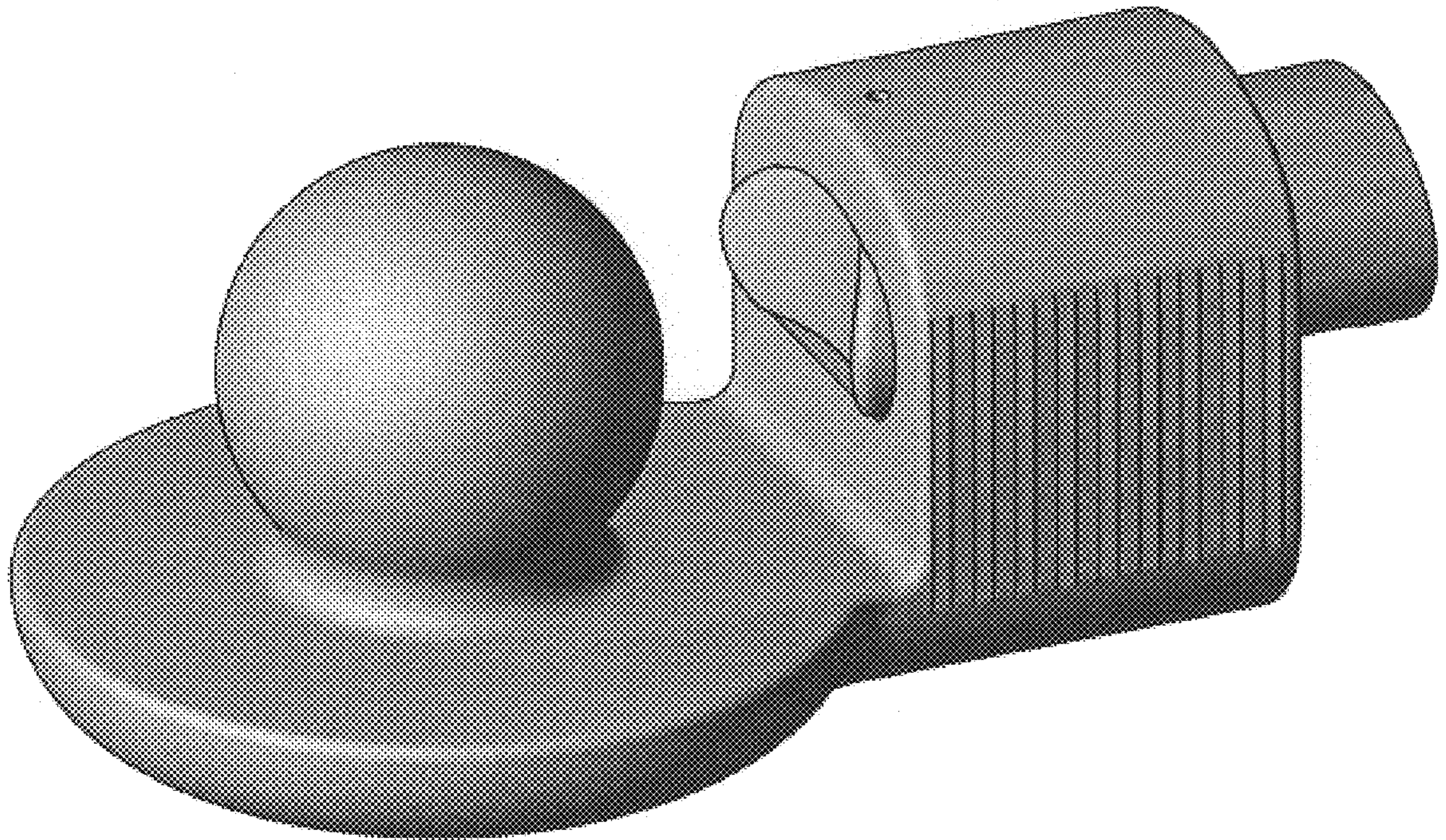


Fig. 8

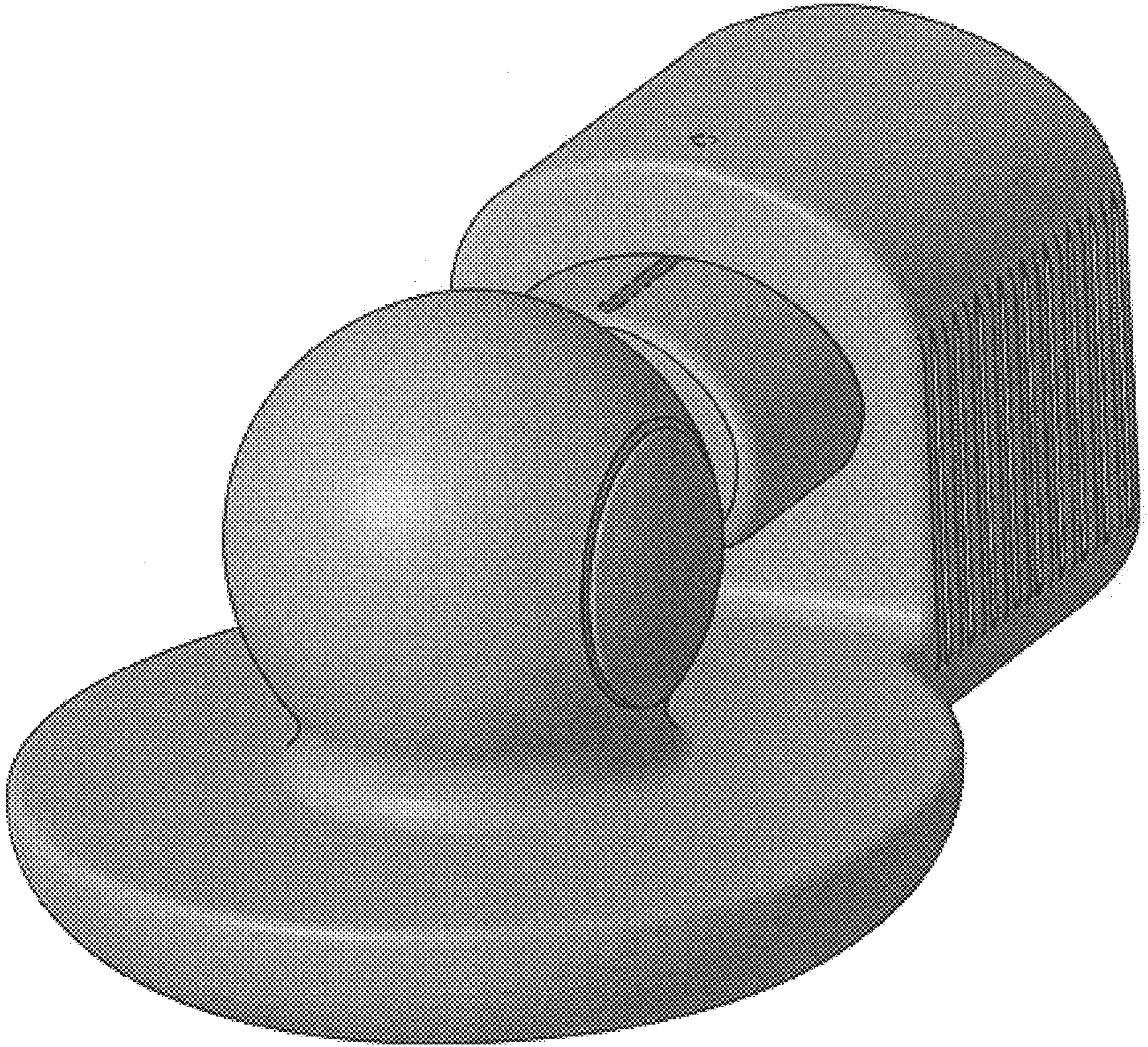


Fig. 9

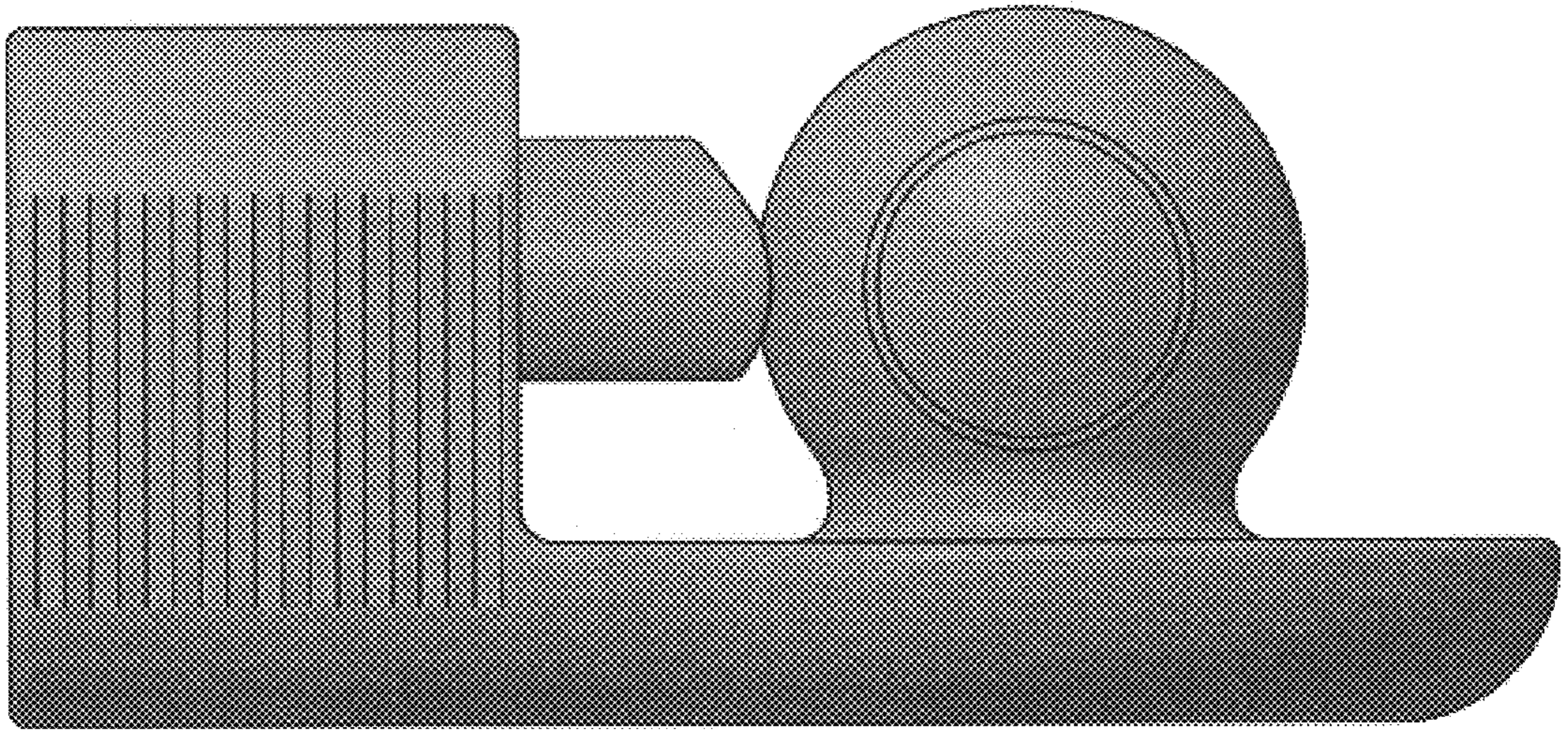


Fig. 10

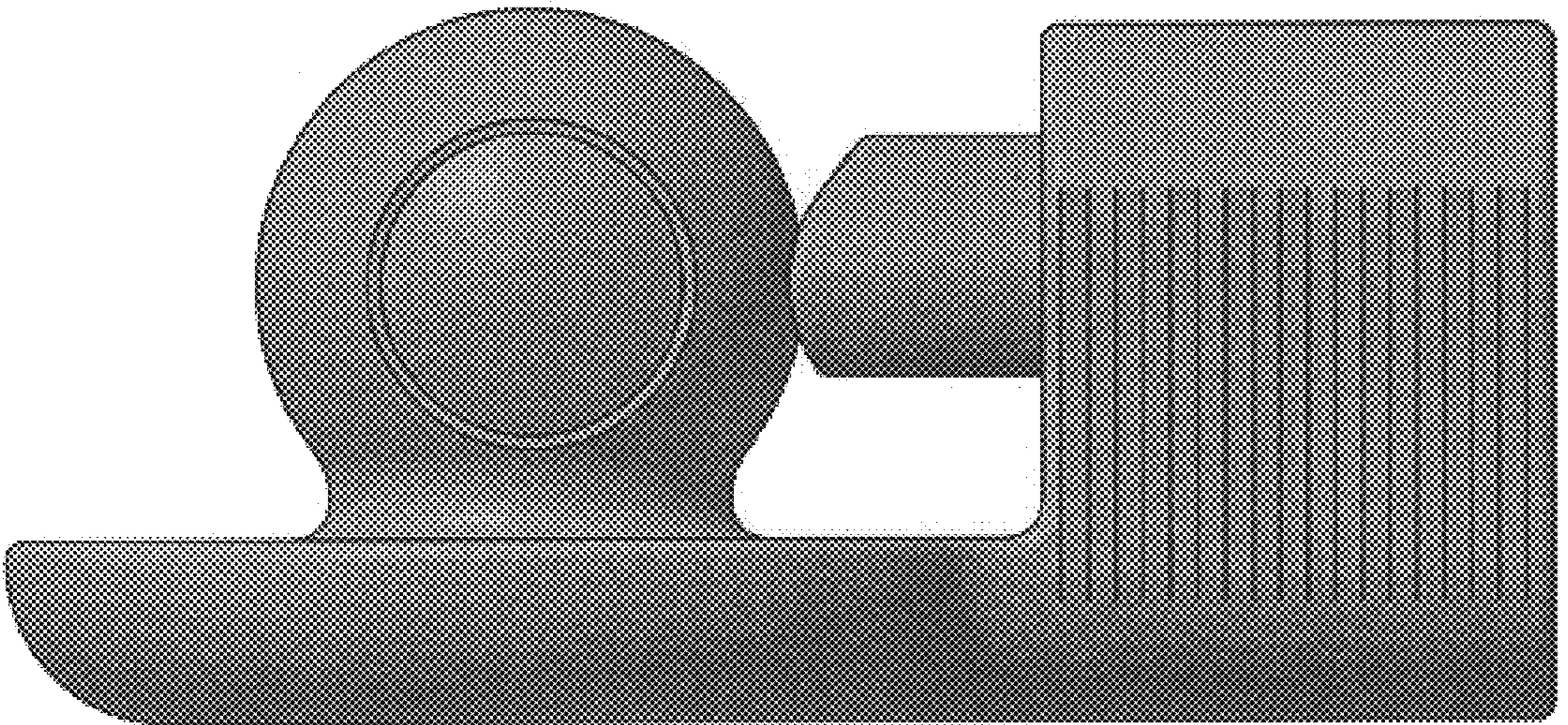


Fig. 11



Fig. 12



Fig. 13