



US00D457111S

(12) **United States Design Patent**  
**Galleguillos**

(10) **Patent No.:** **US D457,111 S**

(45) **Date of Patent:** **\*\* May 14, 2002**

(54) **REST SEAT KIT FOR A WALKER**

(76) **Inventor:** **Robert A. Galleguillos**, HC 62, Box  
200, Ozone, AR (US) 72854

(\*\*) **Term:** **14 Years**

(21) **Appl. No.:** **29/145,205**

(22) **Filed:** **Jul. 16, 2001**

(51) **LOC (7) Cl.** ..... **12-12**

(52) **U.S. Cl.** ..... **D12/133**

(58) **Field of Search** ..... D21/534; D12/128-133;  
280/202, 204, 218, 87.01, 87.02, 87.042,  
87.043

(56) **References Cited**

**U.S. PATENT DOCUMENTS**

|             |           |                |               |
|-------------|-----------|----------------|---------------|
| 345,852 A   | 7/1886    | Leermo         |               |
| 2,285,778 A | 6/1942    | Milward        |               |
| D160,792 S  | * 11/1950 | Fever, Jr.     | ..... D21/534 |
| 4,415,198 A | 11/1983   | Brearley       |               |
| 4,491,257 A | 1/1985    | Ingles         |               |
| 4,768,536 A | 9/1988    | Hawkins        |               |
| 4,974,620 A | 12/1990   | Quillan et al. |               |

|             |          |              |               |
|-------------|----------|--------------|---------------|
| 5,040,556 A | 8/1991   | Raines       |               |
| 5,353,824 A | 10/1994  | Woods et al. |               |
| D353,123 S  | 12/1994  | Korona       |               |
| D426,177 S  | * 6/2000 | Lundh        | ..... D12/133 |

\* cited by examiner

*Primary Examiner*—Marcus A. Jackson

(74) *Attorney, Agent, or Firm*—Donald R. Schoonover

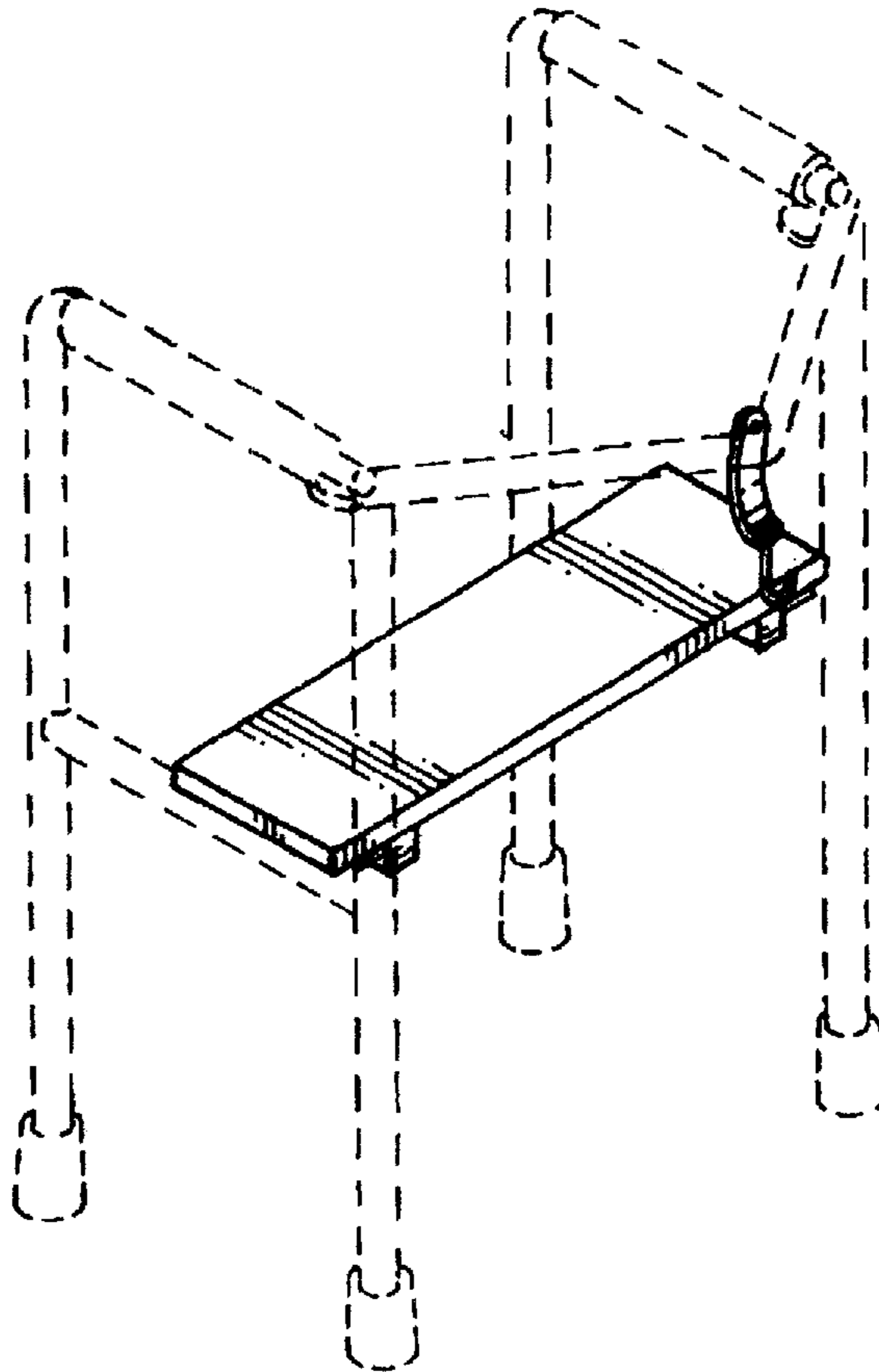
(57) **CLAIM**

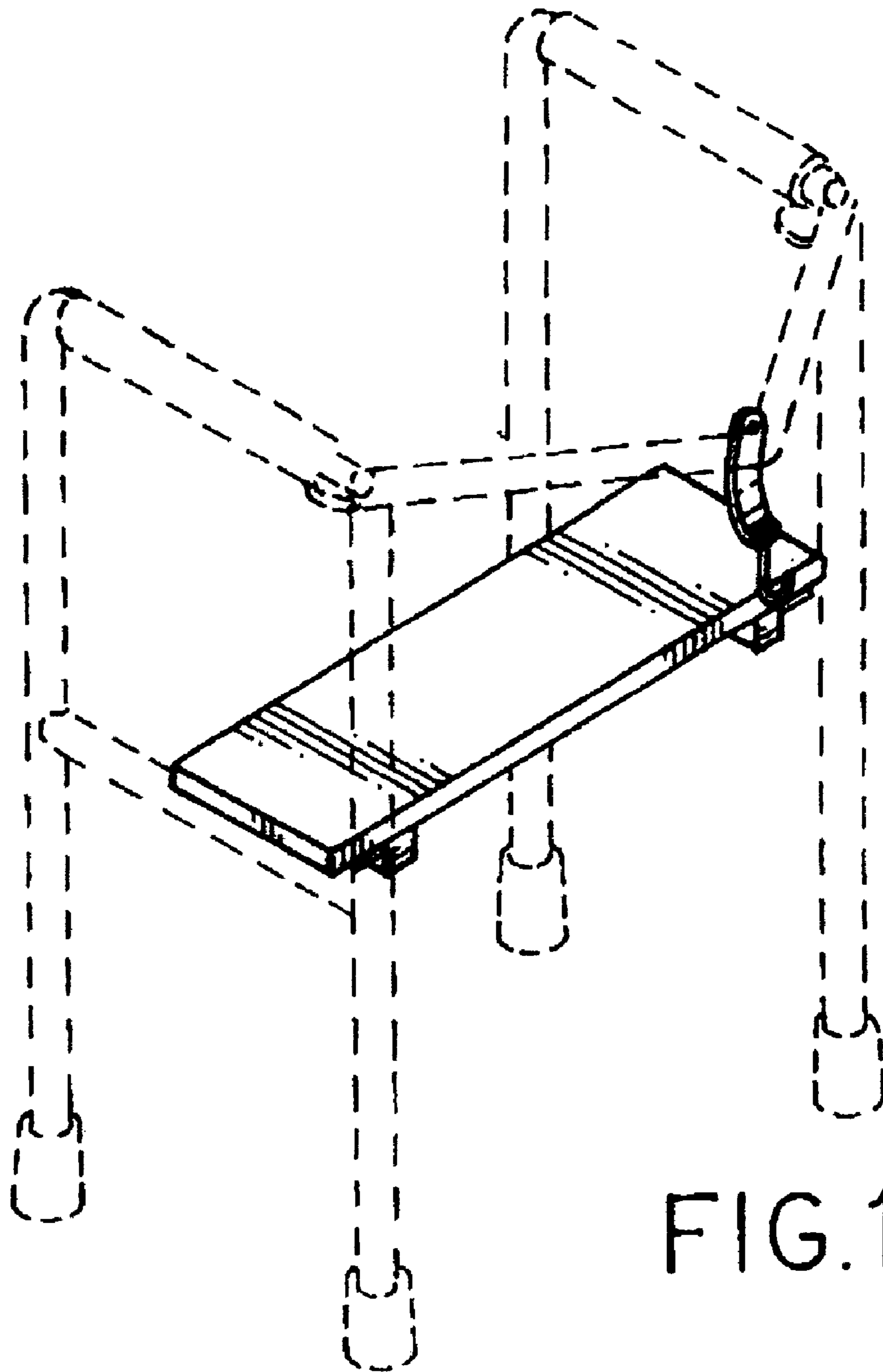
The ornamental design for a rest seat kit for a walker, as shown and described.

**DESCRIPTION**

FIG. 1 is a perspective view of the rest seat kit for a walker embodying the design of the present invention, with the broken line showing for illustrative purposes only and forming no part of the claimed design; FIG. 2 is a front elevational view thereof; FIG. 3 is a rear elevational view thereof; FIG. 4 is a side elevational view thereof; FIG. 5 is a top plan view thereof; and, FIG. 6 is a bottom plan view thereof.

**1 Claim, 3 Drawing Sheets**





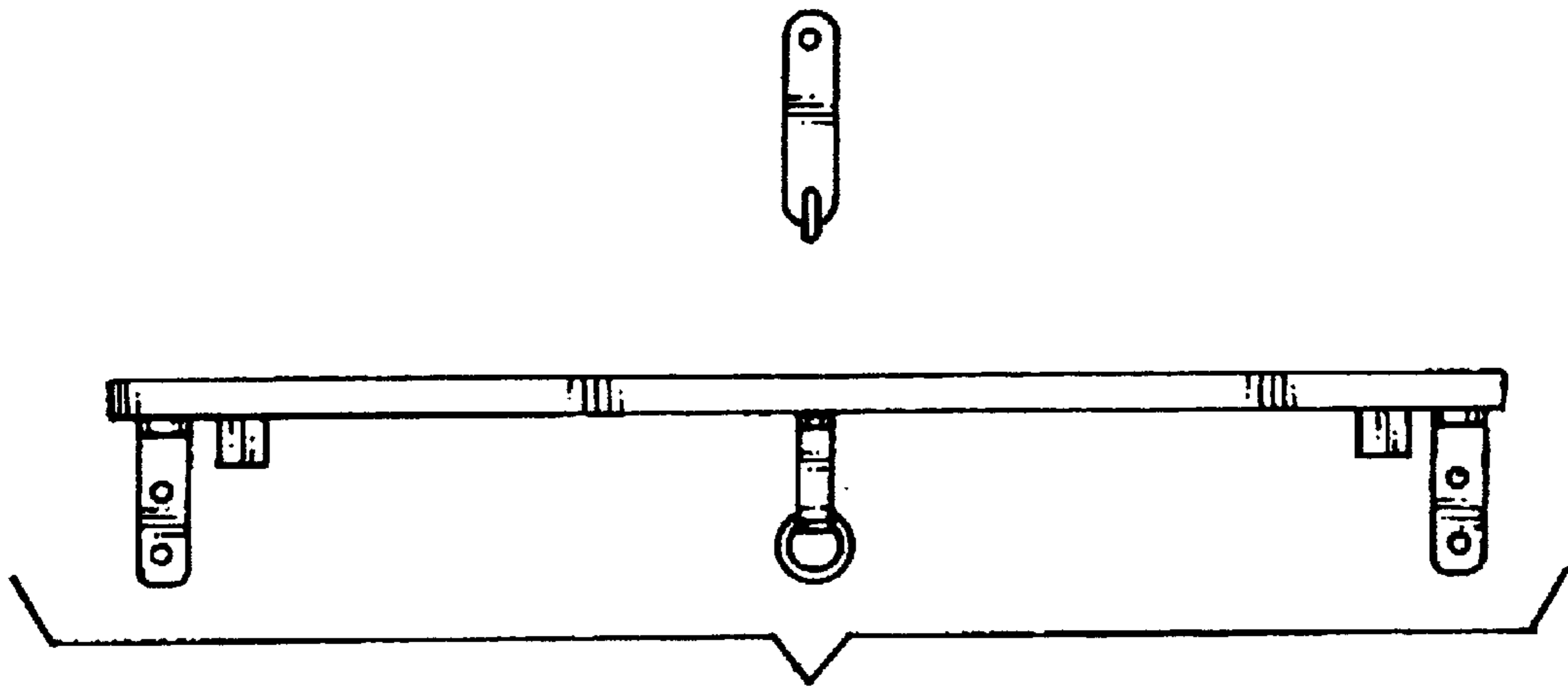


FIG. 2.

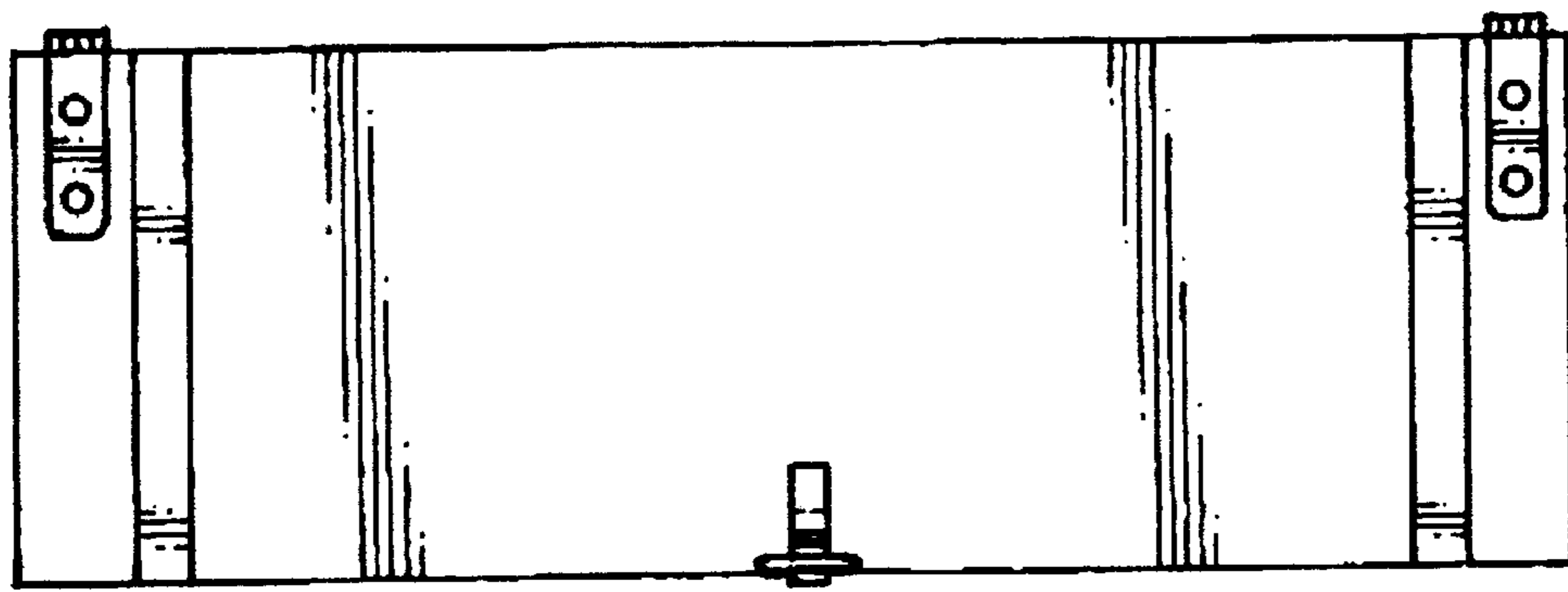


FIG. 6.

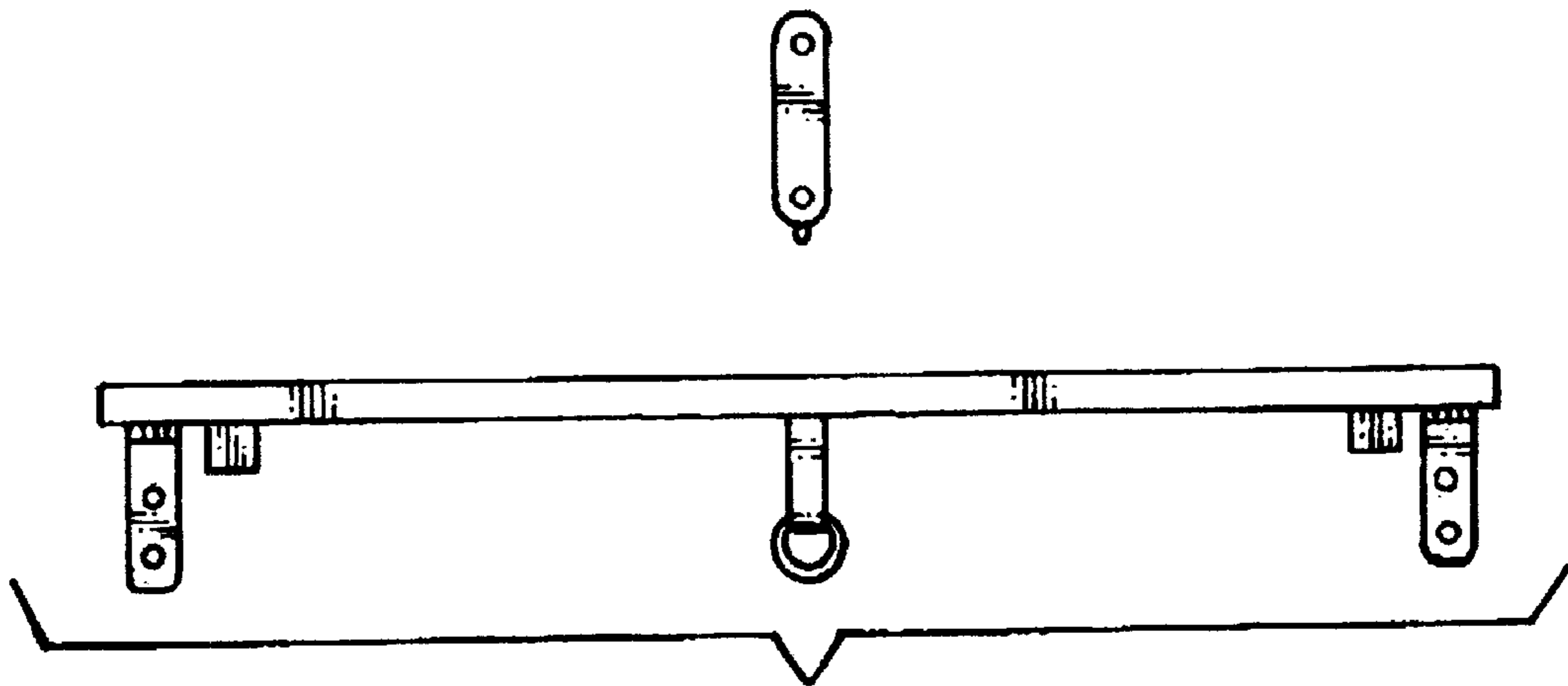


FIG. 3.

FIG. 5.

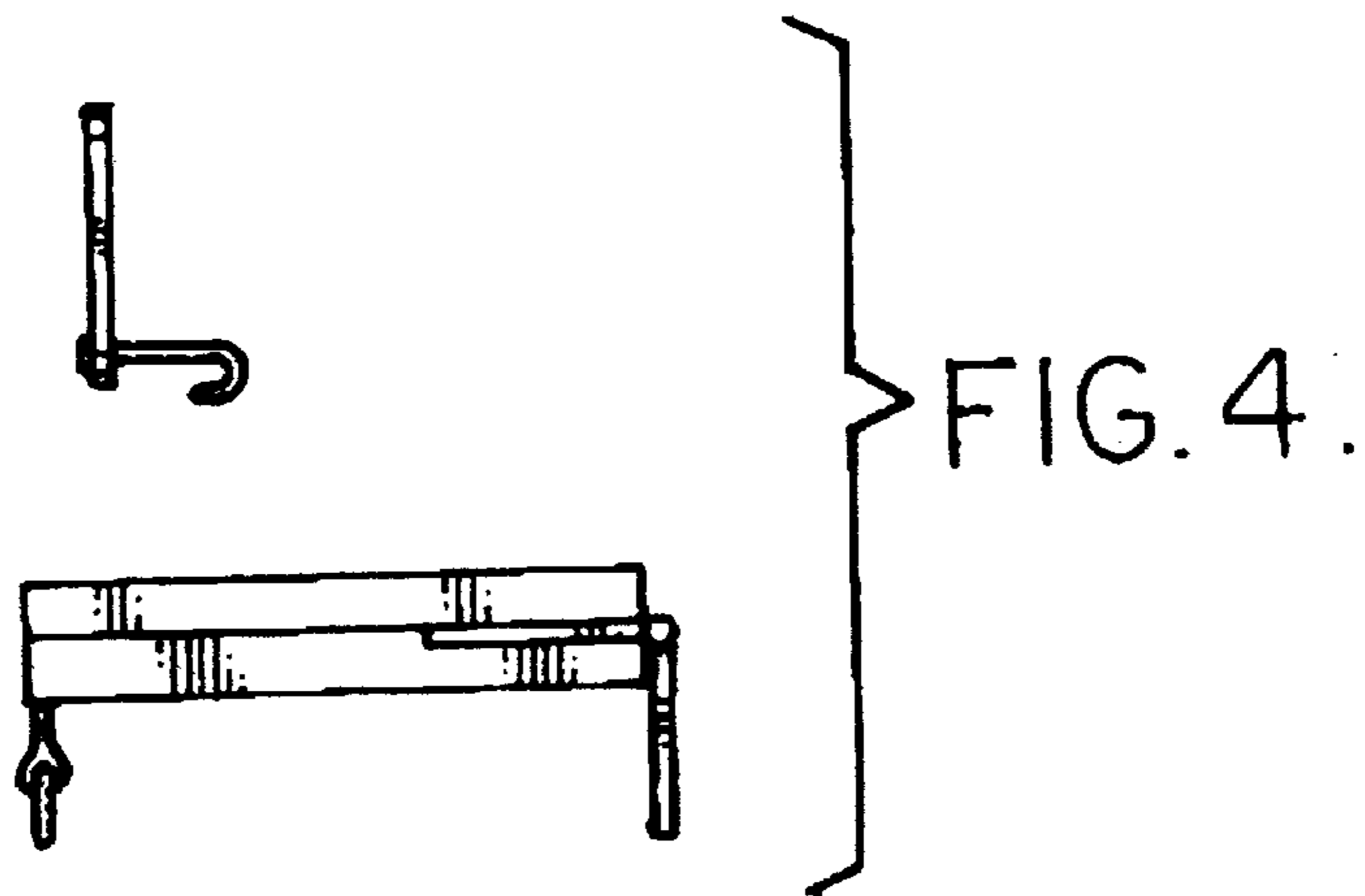
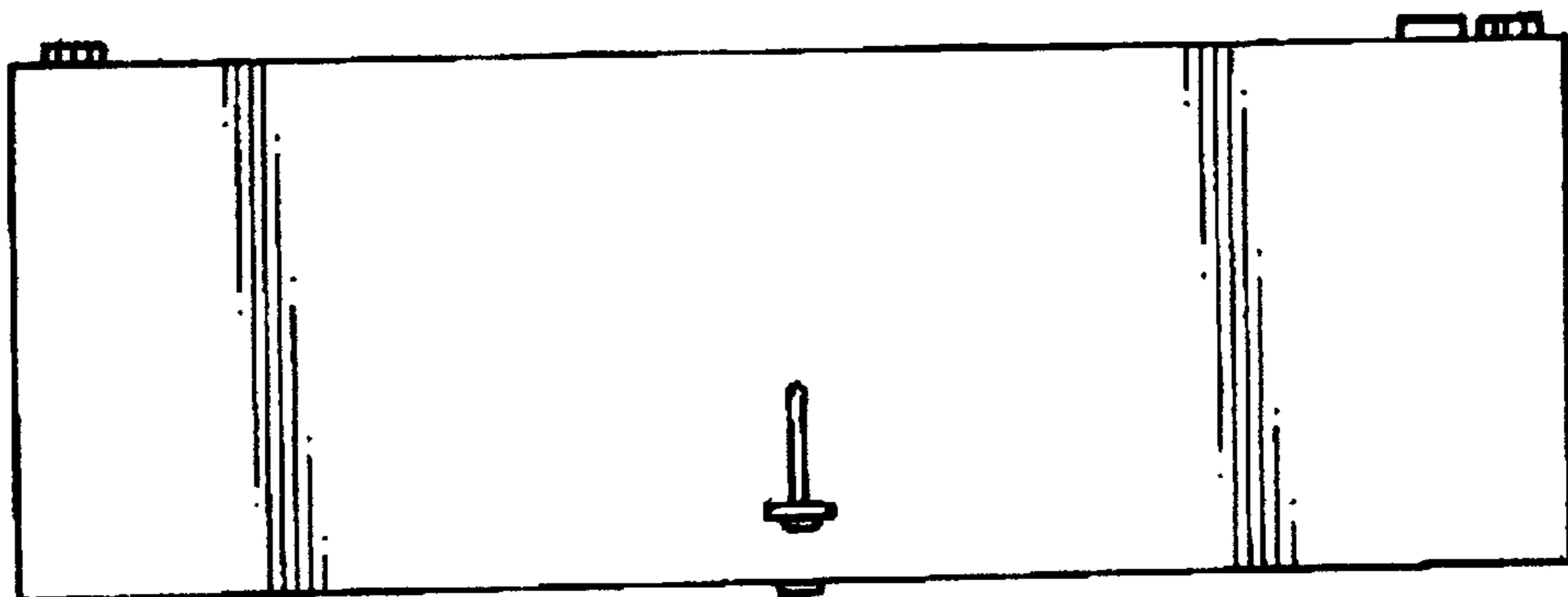


FIG. 4.