



US00D457110S

(12) **United States Design Patent**
Huang

(10) **Patent No.:** **US D457,110 S**

(45) **Date of Patent:** **** May 14, 2002**

(54) **FRAME OF STROLLER**

(76) Inventor: **Mien Chen Huang**, 123-2, Pitou,
Kuanmiao, Tainan (TW)

(**) Term: **14 Years**

(21) Appl. No.: **29/146,354**

(22) Filed: **Aug. 7, 2001**

(51) **LOC (7) Cl.** **12-12**

(52) **U.S. Cl.** **D12/129**

(58) **Field of Search** D12/128-133;
280/47.4, 642, 644, 647, 650, 658

(56) **References Cited**

U.S. PATENT DOCUMENTS

- D419,493 S * 1/2000 Flannery et al. D12/129
- D438,149 S * 2/2001 Baechler D12/129

* cited by examiner

Primary Examiner—Marcus A. Jackson
(74) *Attorney, Agent, or Firm*—Pro-Techtor International Services

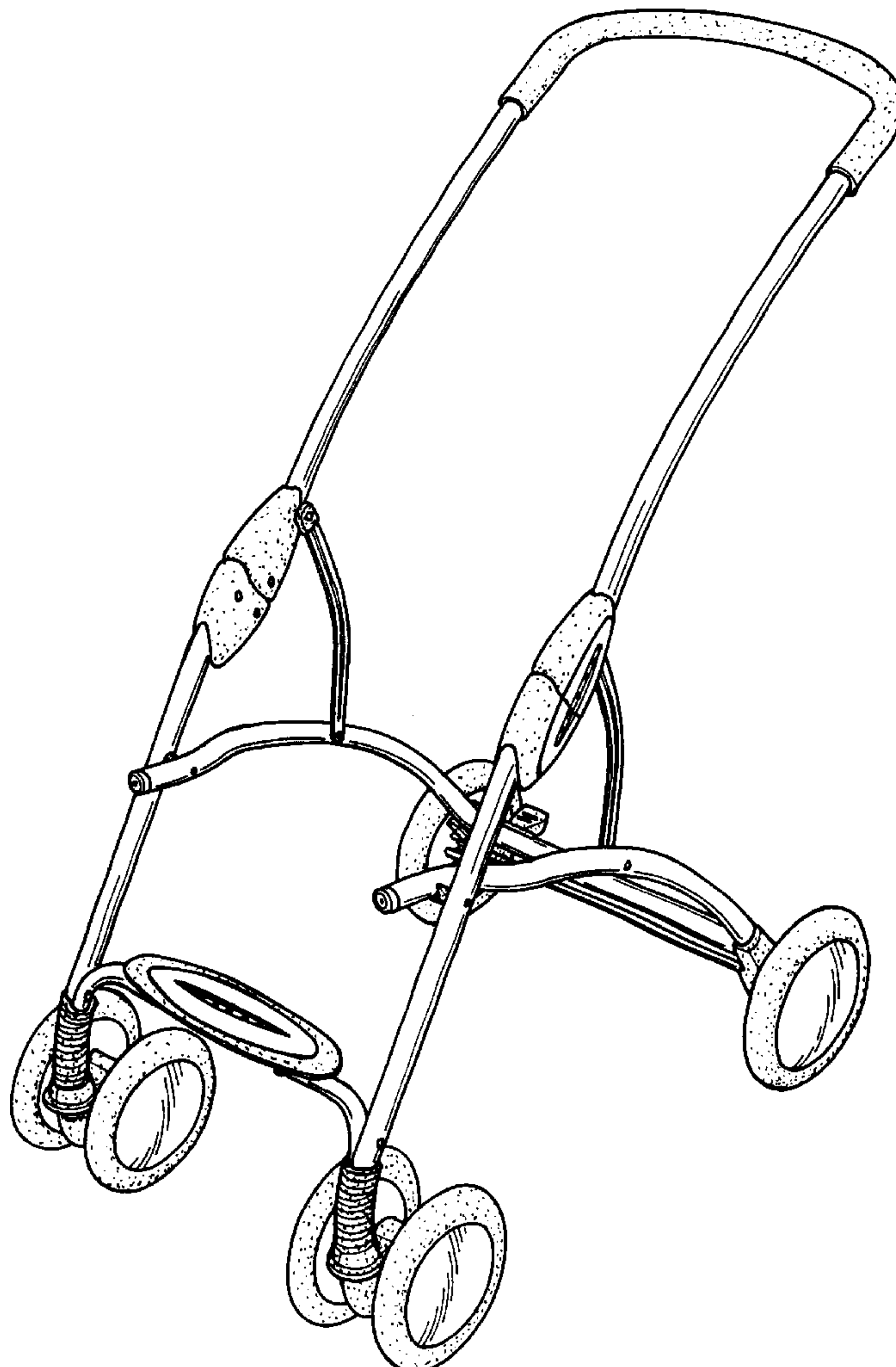
(57) **CLAIM**

The ornamental design for a frame of stroller, as shown and described.

DESCRIPTION

FIG. 1 is a perspective view of a frame of stroller showing my new design;
FIG. 2 is a front view of the design;
FIG. 3 is a rear view of the design;
FIG. 4 is a left side view of the design;
FIG. 5 is a right side view of the design;
FIG. 6 is a top view of the design; and,
FIG. 7 is a bottom view of the design.

1 Claim, 4 Drawing Sheets



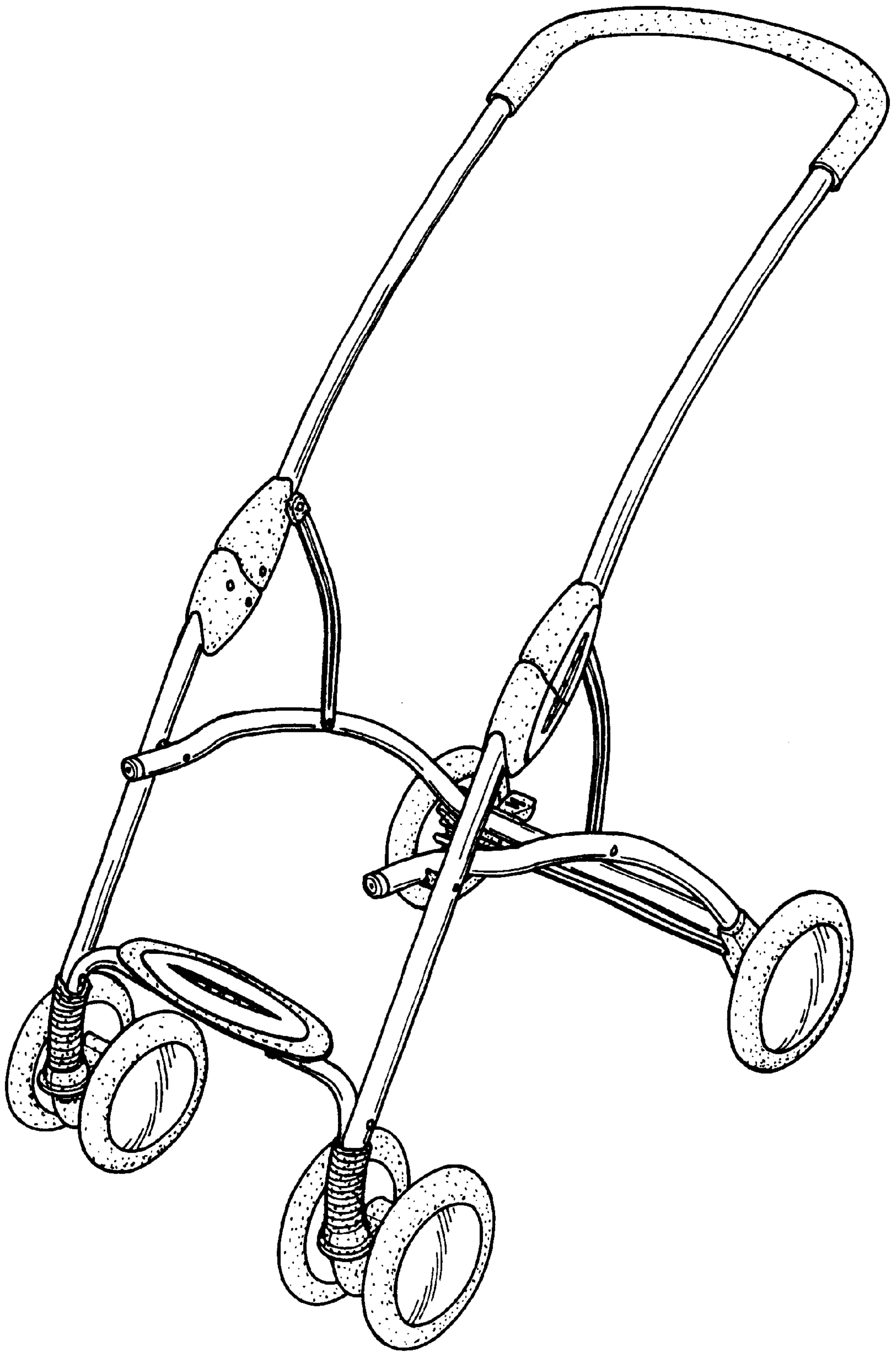


FIG. 1

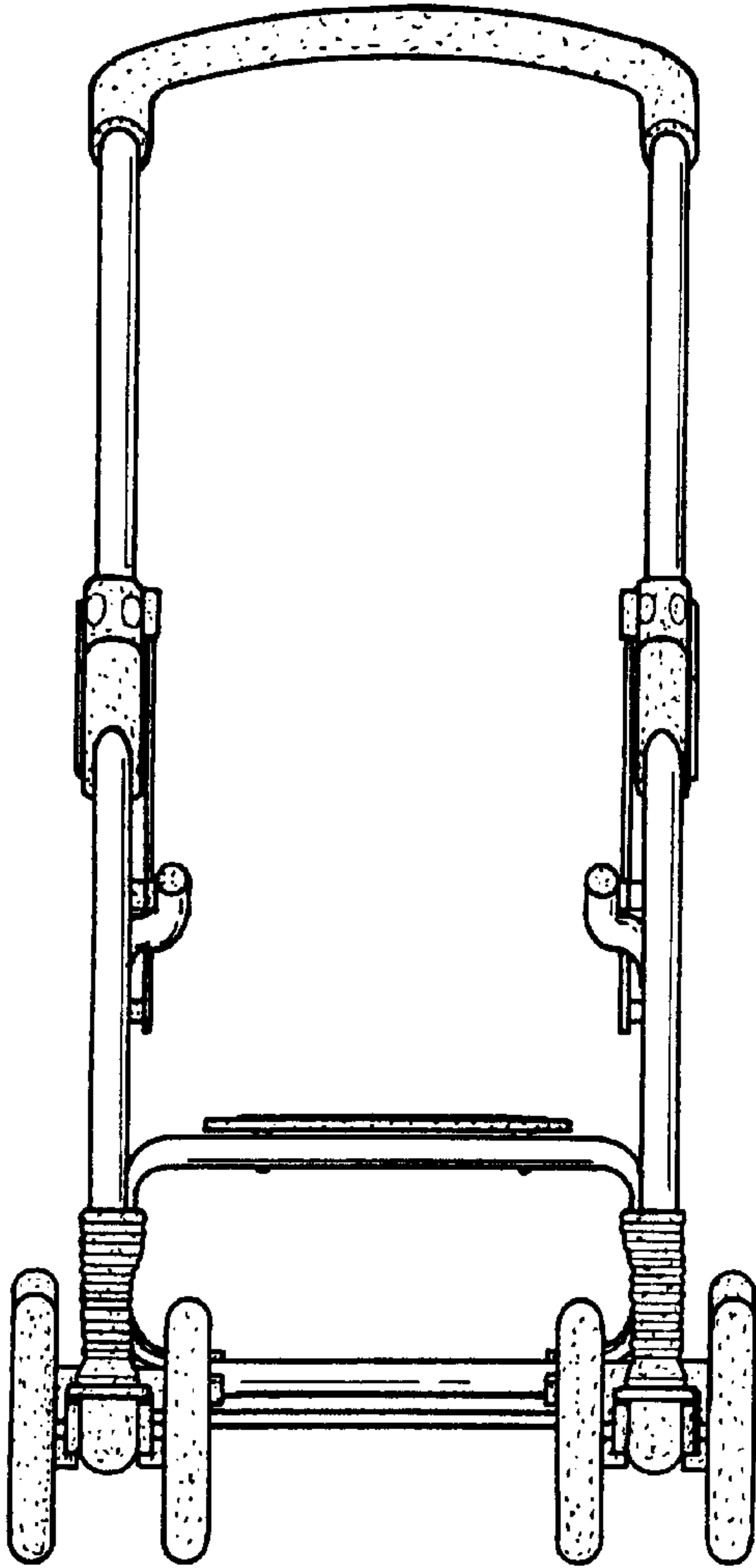


FIG. 2

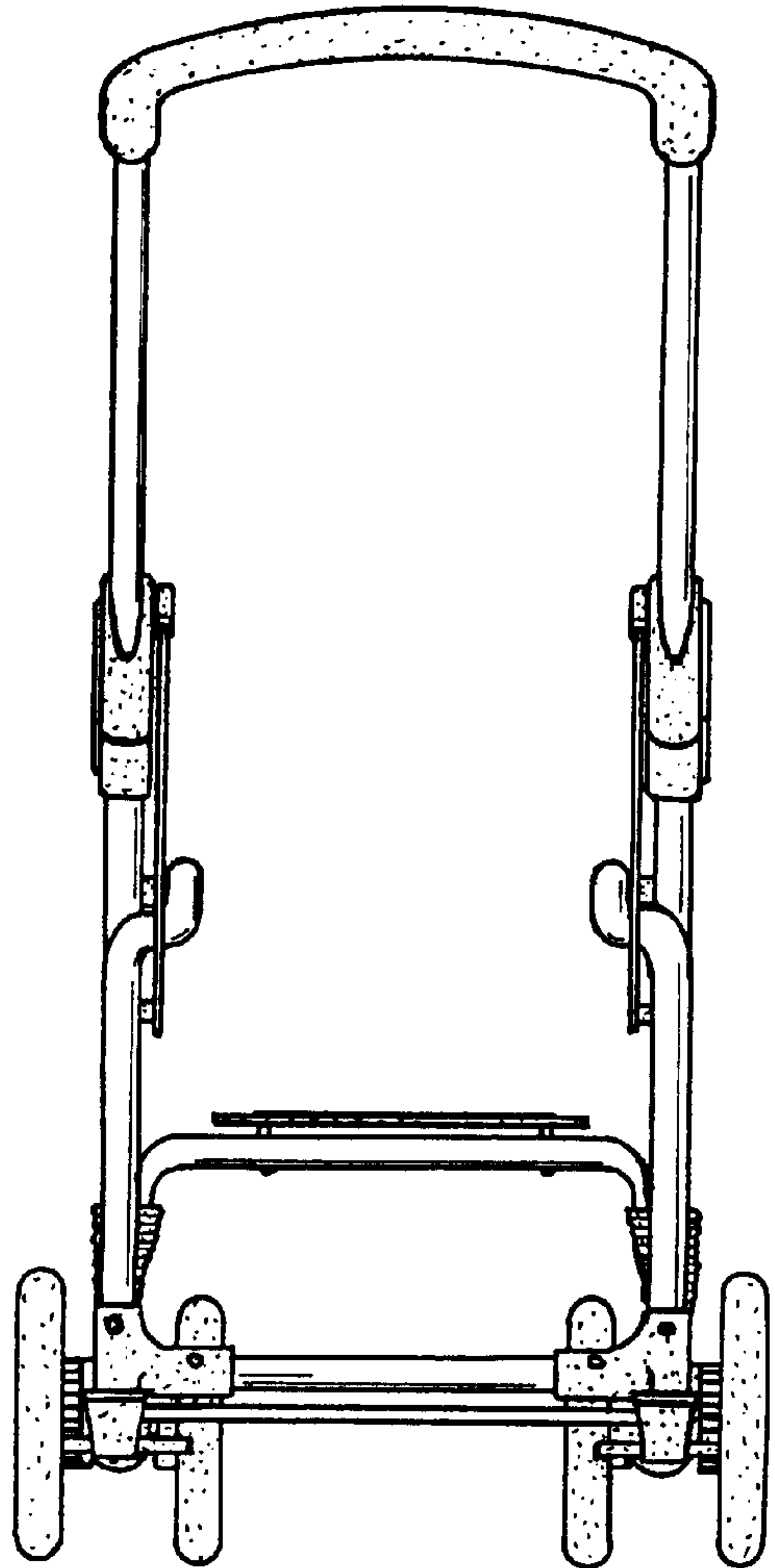


FIG. 3

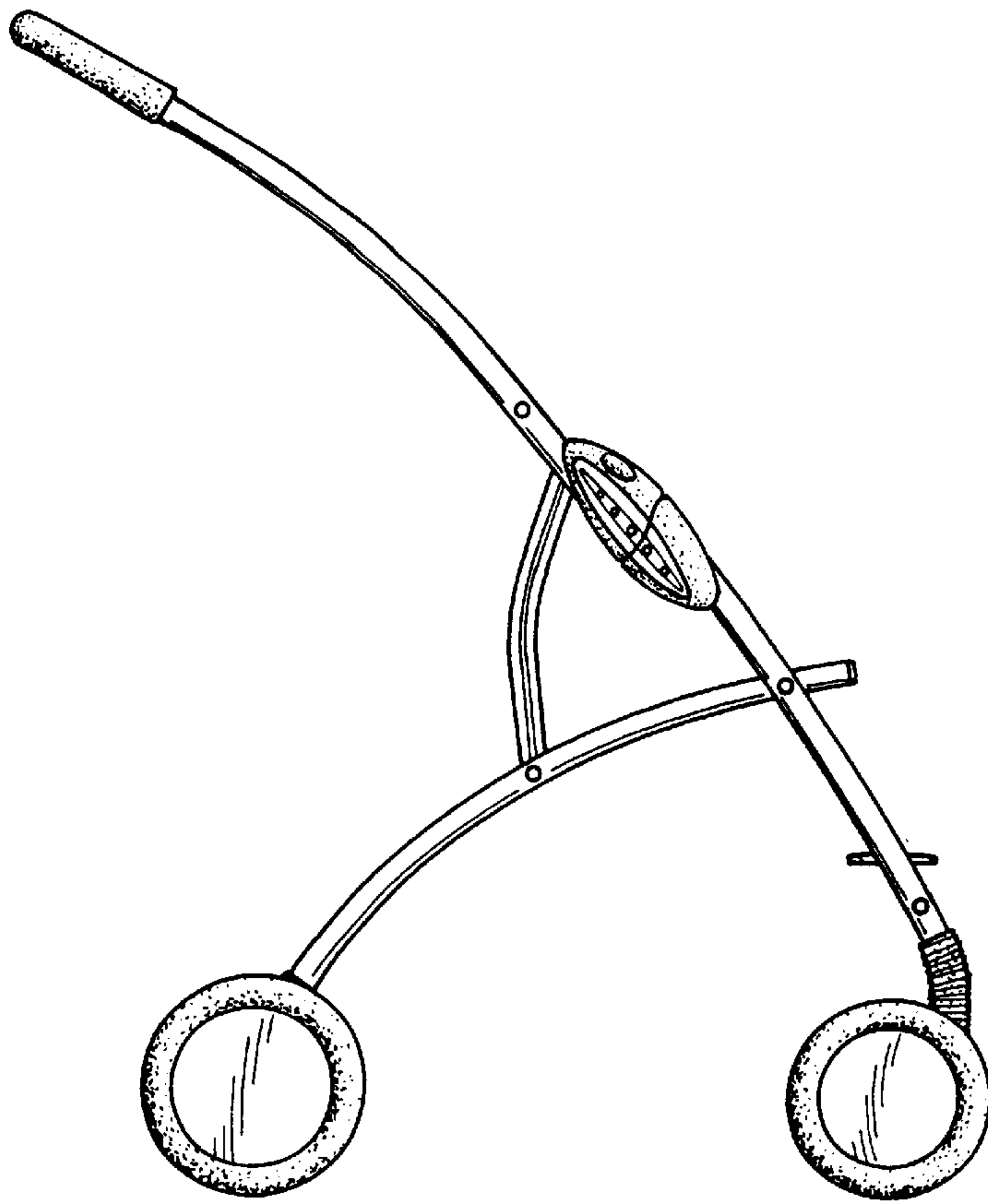


FIG. 4

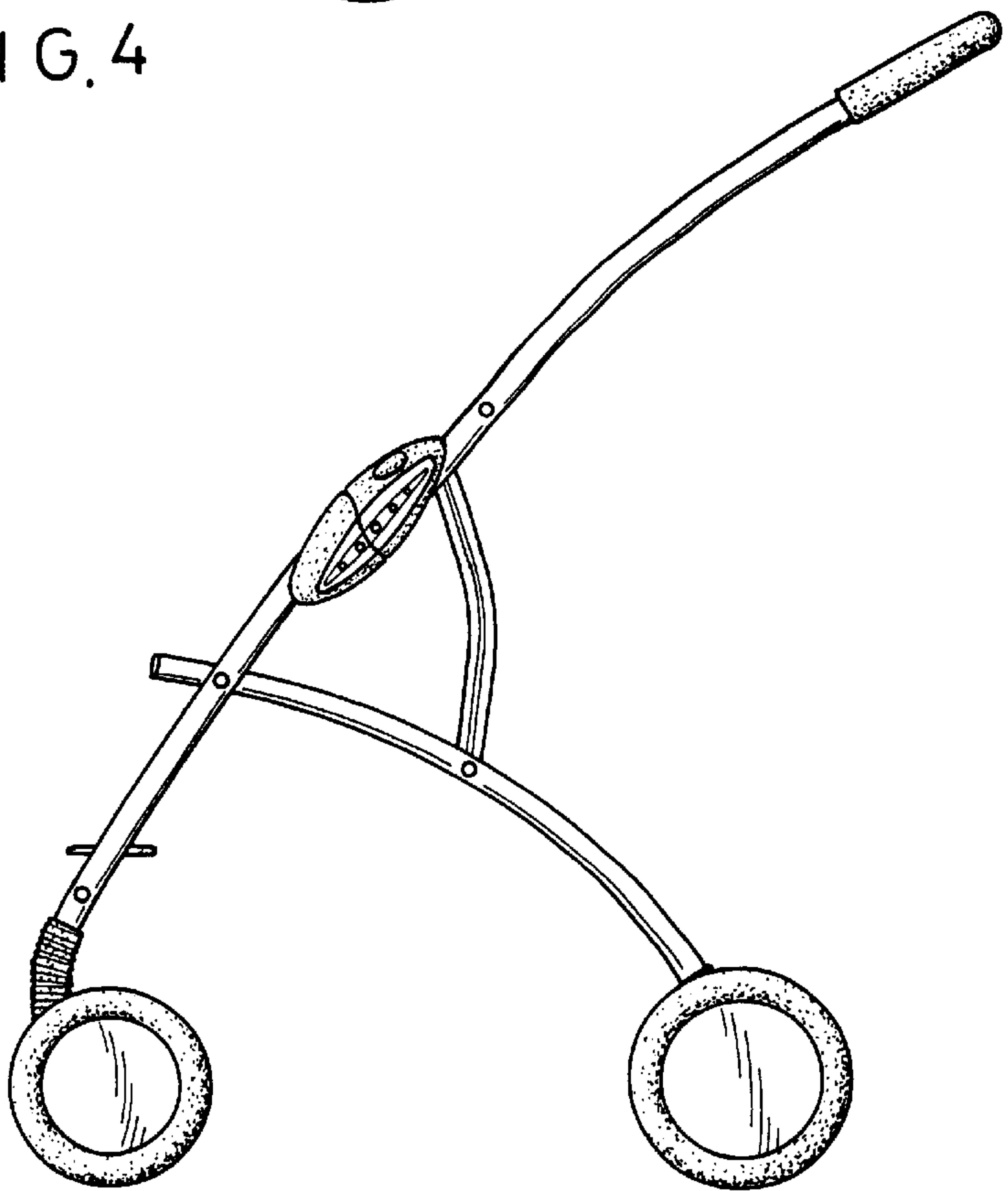


FIG. 5

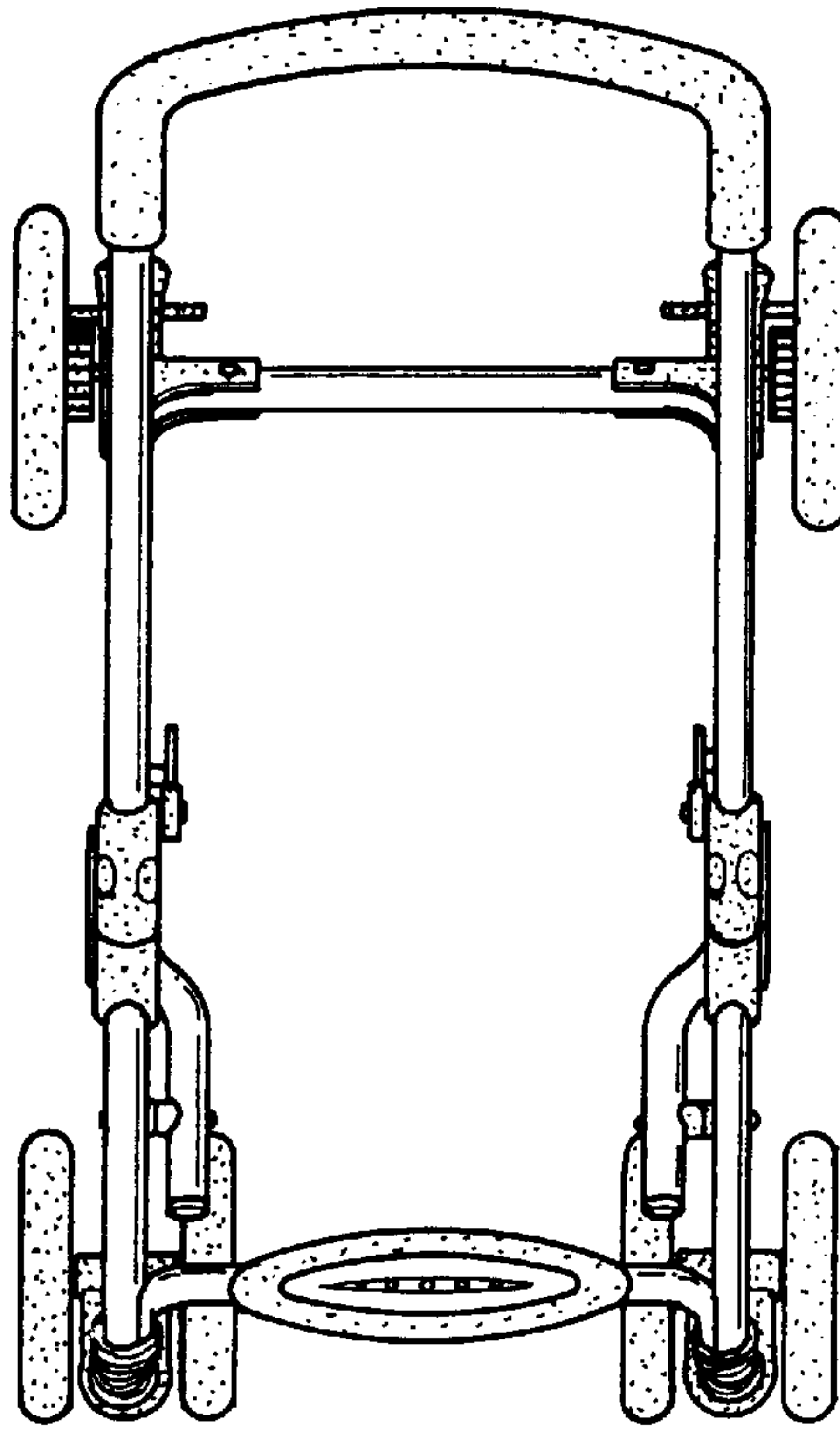


FIG. 6

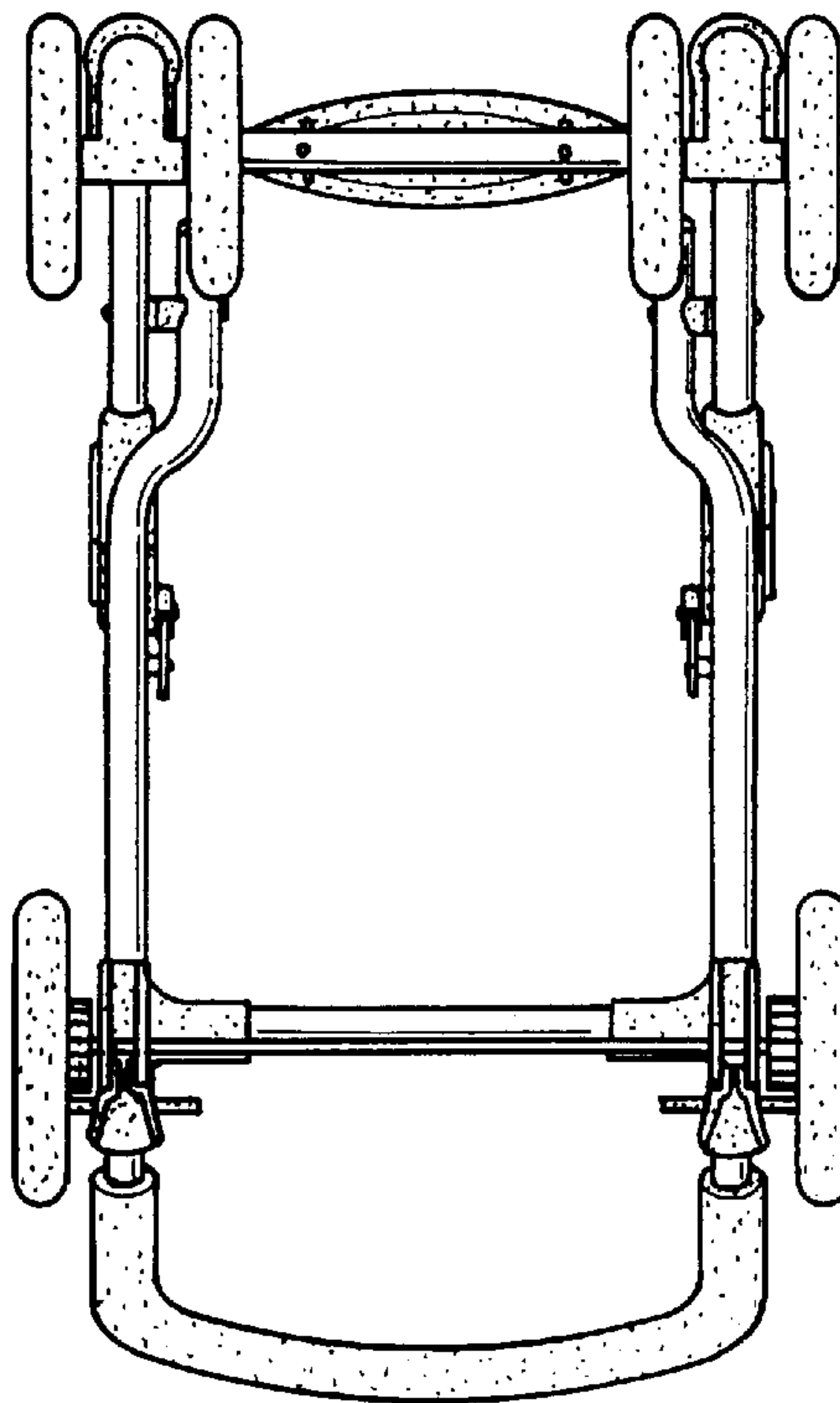


FIG. 7