



US00D457106S

(12) **United States Design Patent**
Cadotte et al.

(10) **Patent No.: US D457,106 S**
(45) **Date of Patent: ** May 14, 2002**

(54) **SNOWMOBILE HOOD**

(75) Inventors: **Germain Cadotte**, St-Elie d'Orford;
Emmanuel Rius, Sherbrooke, both of
(CA)

(73) Assignee: **Bombardier Inc.**, Montreal (CA)

(**) Term: **14 Years**

(21) Appl. No.: **29/140,950**

(22) Filed: **Apr. 27, 2001**

Related U.S. Application Data

(62) Division of application No. 29/132,850, filed on Nov. 16, 2000, now Pat. No. Des. 446,166, which is a division of application No. 29/109,236, filed on Aug. 11, 1999, now Pat. No. Des. 438,821.

(30) **Foreign Application Priority Data**

Feb. 12, 1999 (CA) 1999-0393

(51) **LOC (7) Cl.** **12-14**

(52) **U.S. Cl.** **D12/7**

(58) **Field of Search** D12/7-11; 280/845;
180/182-186, 190, 193, 194

(56) **References Cited**

U.S. PATENT DOCUMENTS

D217,862 S	*	6/1970	Johnson	D12/7
D217,906 S	*	6/1970	Johnson	D12/7
D222,246 S	*	10/1971	Mackeen	D12/7
3,645,347 A	*	2/1972	Brant	180/190
3,688,856 A	*	9/1972	Boehm et al.	180/190
D225,105 S		11/1972	McAkeen et al.	D12/7
D228,754 S	*	10/1973	Mango	D12/7
D230,585 S	*	3/1974	Rose	D12/7
D238,763 S		2/1976	Hatch	D12/7
D239,164 S		3/1976	Smith	D12/7
3,964,561 A	*	6/1976	Lunzer et al.	180/190
D253,883 S		1/1980	Shimasaki	D12/7
D264,830 S		6/1982	Ishiyama	D12/7
D273,185 S	*	3/1984	Ishiyama	D12/7
D278,892 S		5/1985	Kobayashi	D12/7

D314,535 S		2/1991	Matsue	D12/7
5,038,882 A		8/1991	Zulawski	180/190
D333,110 S		2/1993	Mogi et al.	D12/7
D342,044 S	*	12/1993	Hornai	D12/7
D342,220 S	*	12/1993	Hornai	D12/7
D346,137 S		4/1994	Hornai	D12/7
D389,780 S		1/1998	Komatsu et al.	D12/7
D403,272 S	*	12/1998	Cadotte et al.	D12/7
D403,273 S	*	12/1998	Cadotte et al.	D12/7
D438,821 S	*	3/2001	Cadotte et al.	D12/7
D446,166 S	*	8/2001	Cadotte et al.	D12/7

OTHER PUBLICATIONS

Bombardier's Brochure, Jun. 1999, "ski-doo, As long as there's winter . . ." dated Jun., 1999 with attached pages illustrating a 1966 snowmobile manufactured by Bombardier Inc. of Montreal, Quebec, Canada.

* cited by examiner

Primary Examiner—Stacia Cadmus

(74) *Attorney, Agent, or Firm*—Pillsbury Winthrop LLP

(57) **CLAIM**

The ornamental design for a snowmobile hood, as shown and described.

DESCRIPTION

FIG. 1 is a frontal perspective view of the snowmobile hood according to a first embodiment of the present design;

FIG. 2 is a front elevation view of the snowmobile hood of FIG. 1;

FIG. 3 is a right side view of the snowmobile hood of FIG. 1;

FIG. 4 is a left side view of the snowmobile hood of FIG. 1;

FIG. 5 is a rear elevation view of the snowmobile hood of FIG. 1;

FIG. 6 is a top plan view of the snowmobile hood of FIG. 1;

FIG. 7 is a frontal perspective view of the snowmobile hood of according to a second embodiment of the present design;

FIG. 8 is a front elevation view of the snowmobile hood of FIG. 7;

FIG. 9 is a right side view of the snowmobile hood of FIG. 7;

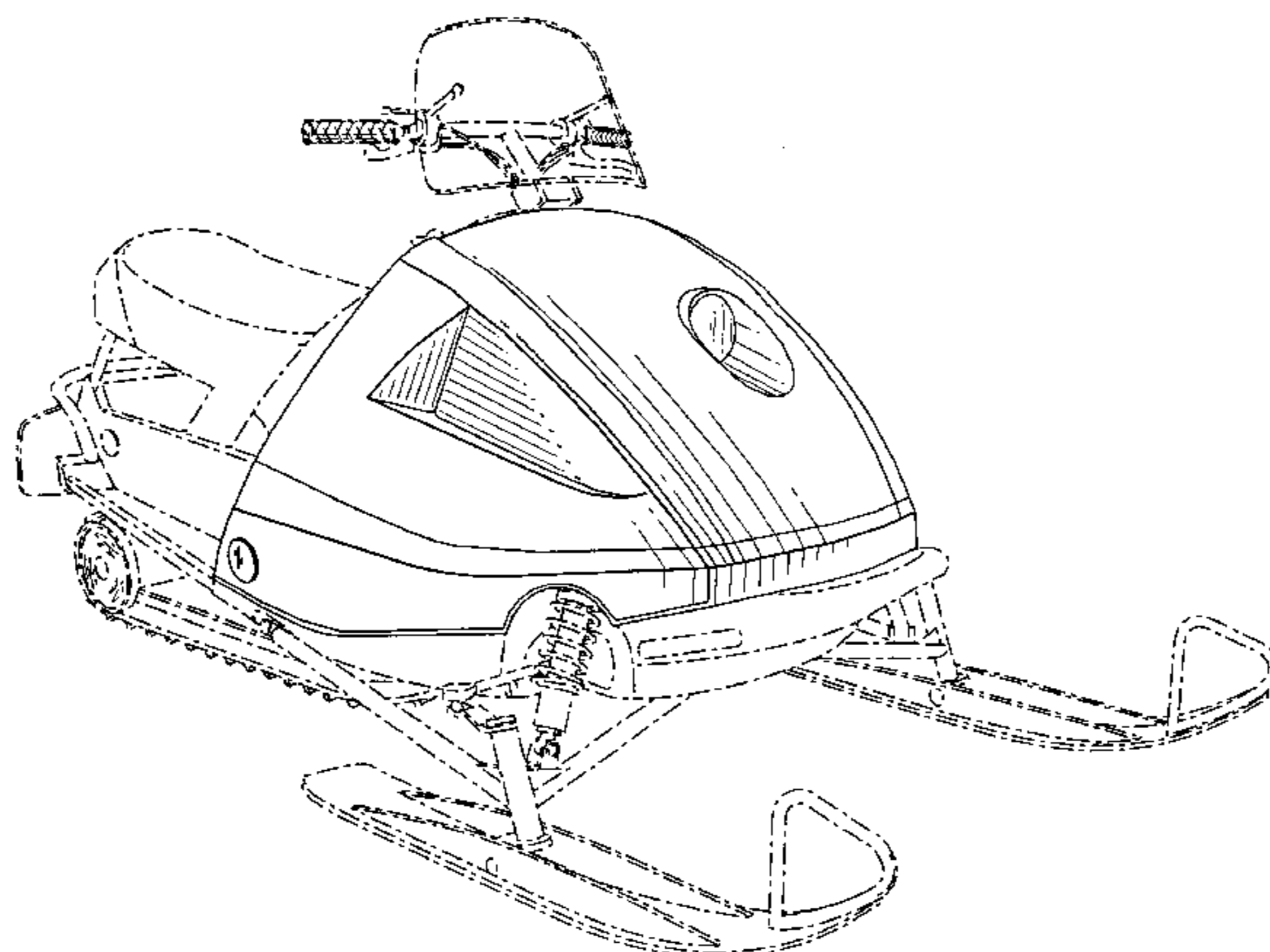


FIG. **10** is a left side view of the snowmobile hood of FIG. **7**;
FIG. **11** is a rear elevation view of the snowmobile hood of FIG. **7**; and,
FIG. **12** is a top plan view of the snowmobile hood of FIG. **7**.

Where included, broken lines showing structure are for illustrative purposes only and form no part of the claimed design.

1 Claim, 6 Drawing Sheets

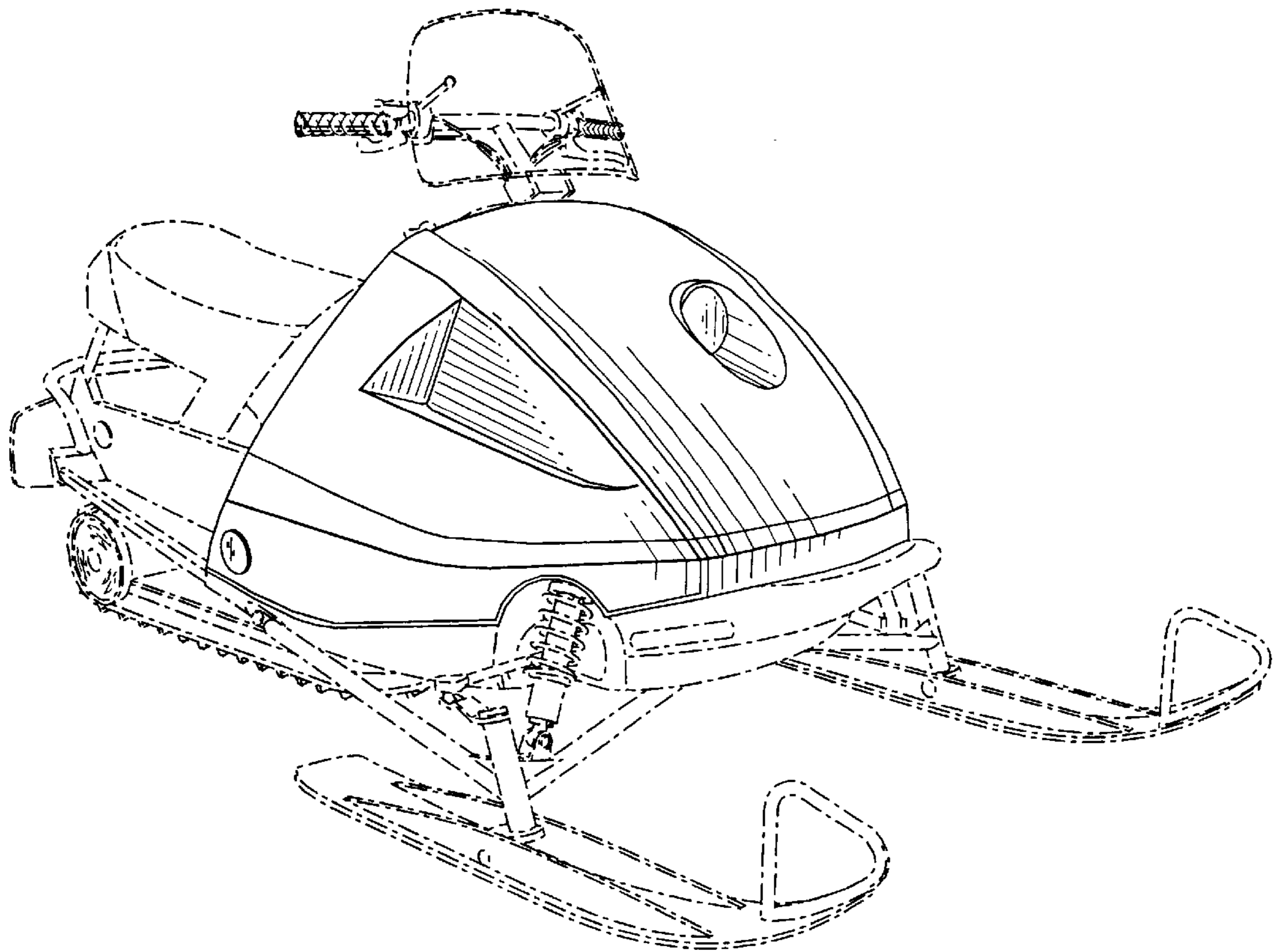


Fig. 1

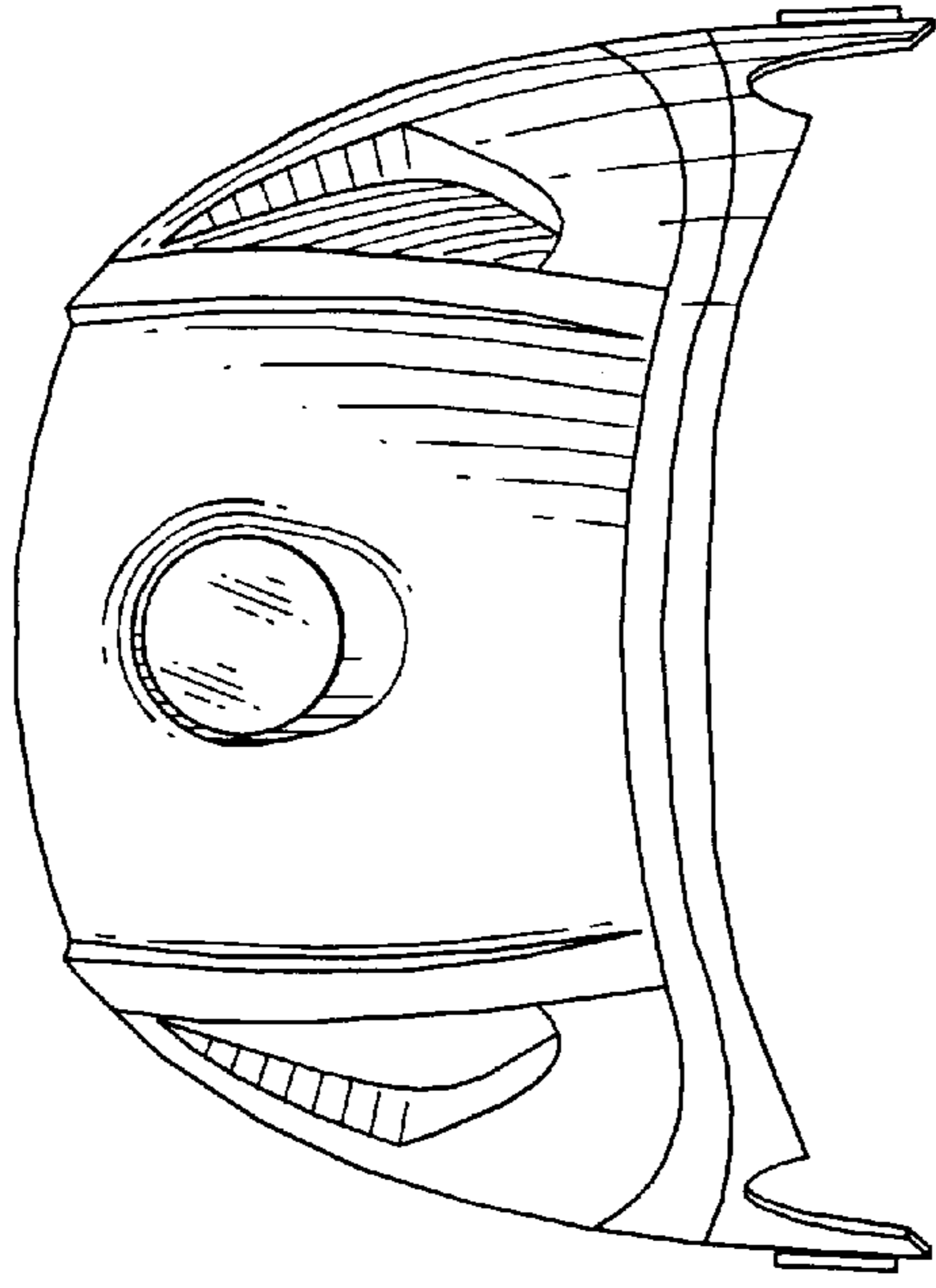


Fig. 2

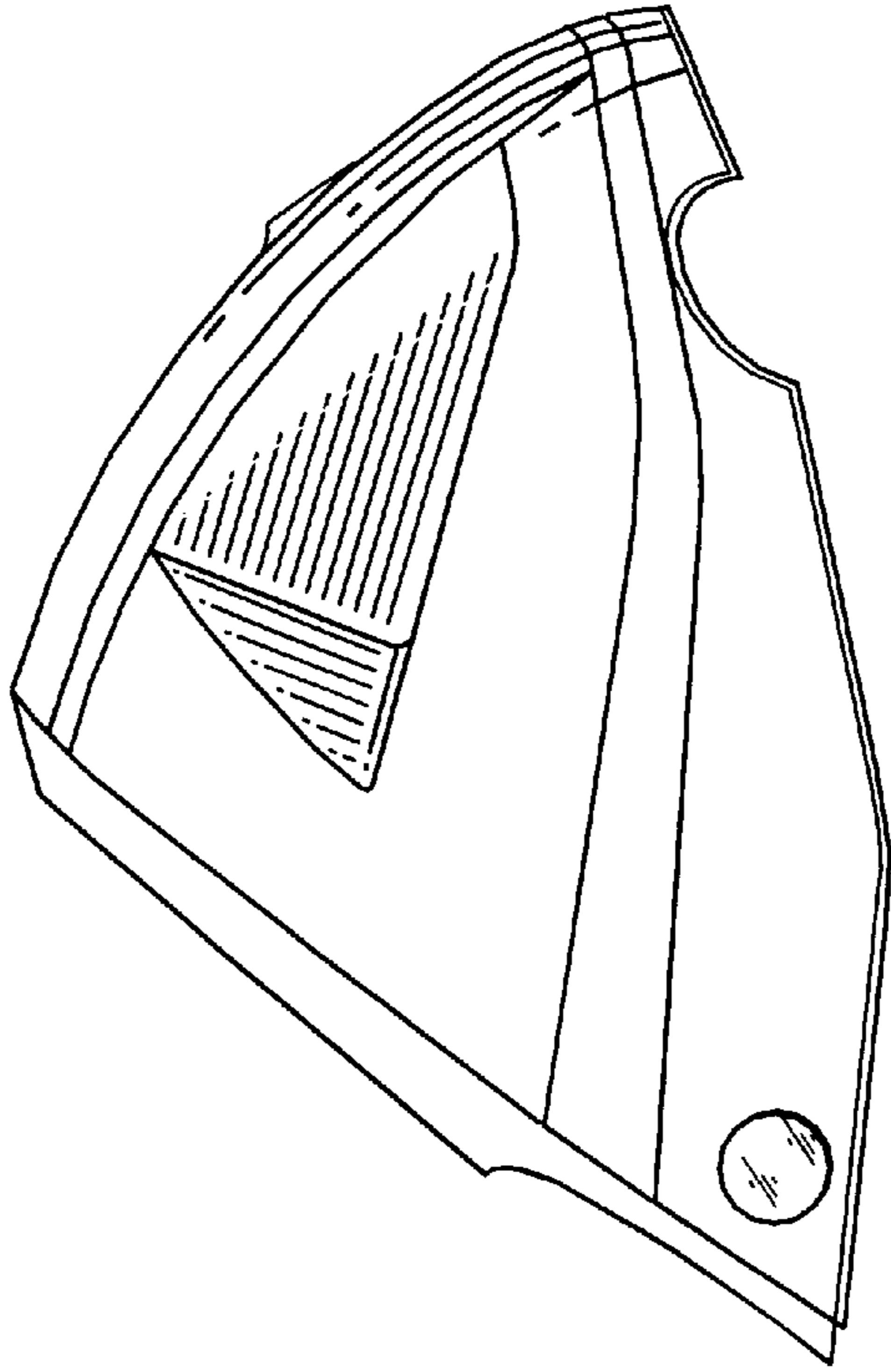


Fig. 3

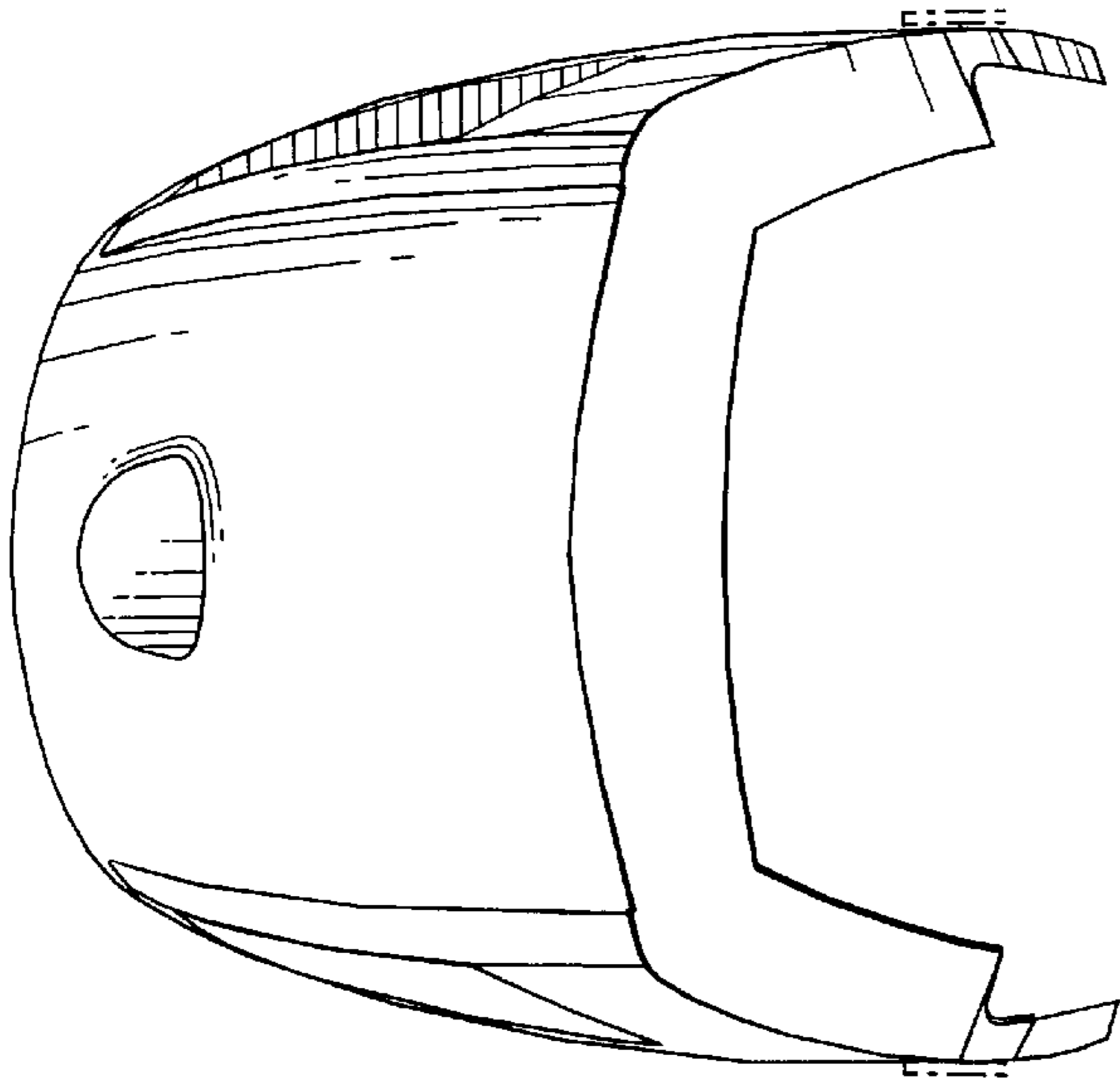


Fig. 6

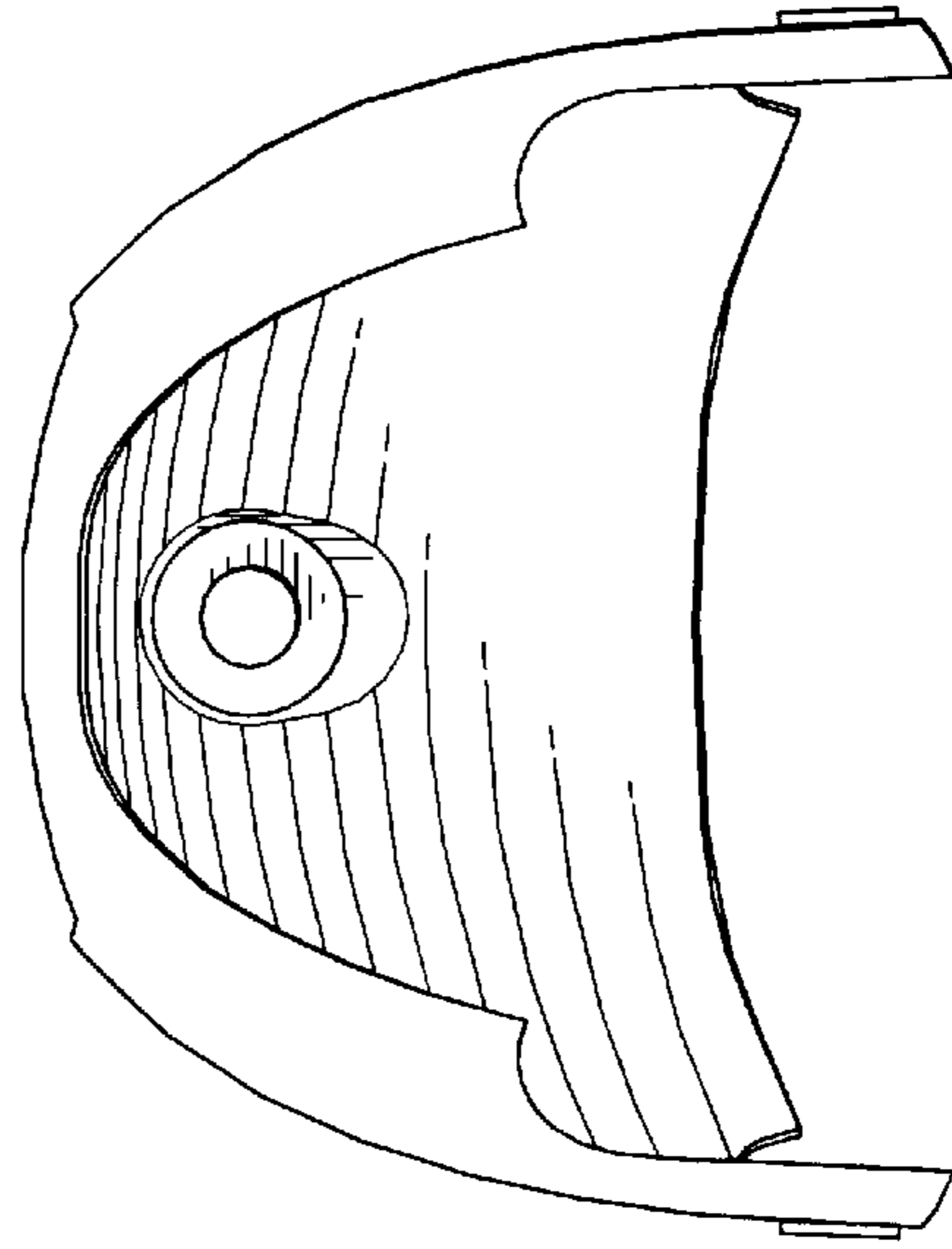


Fig. 5

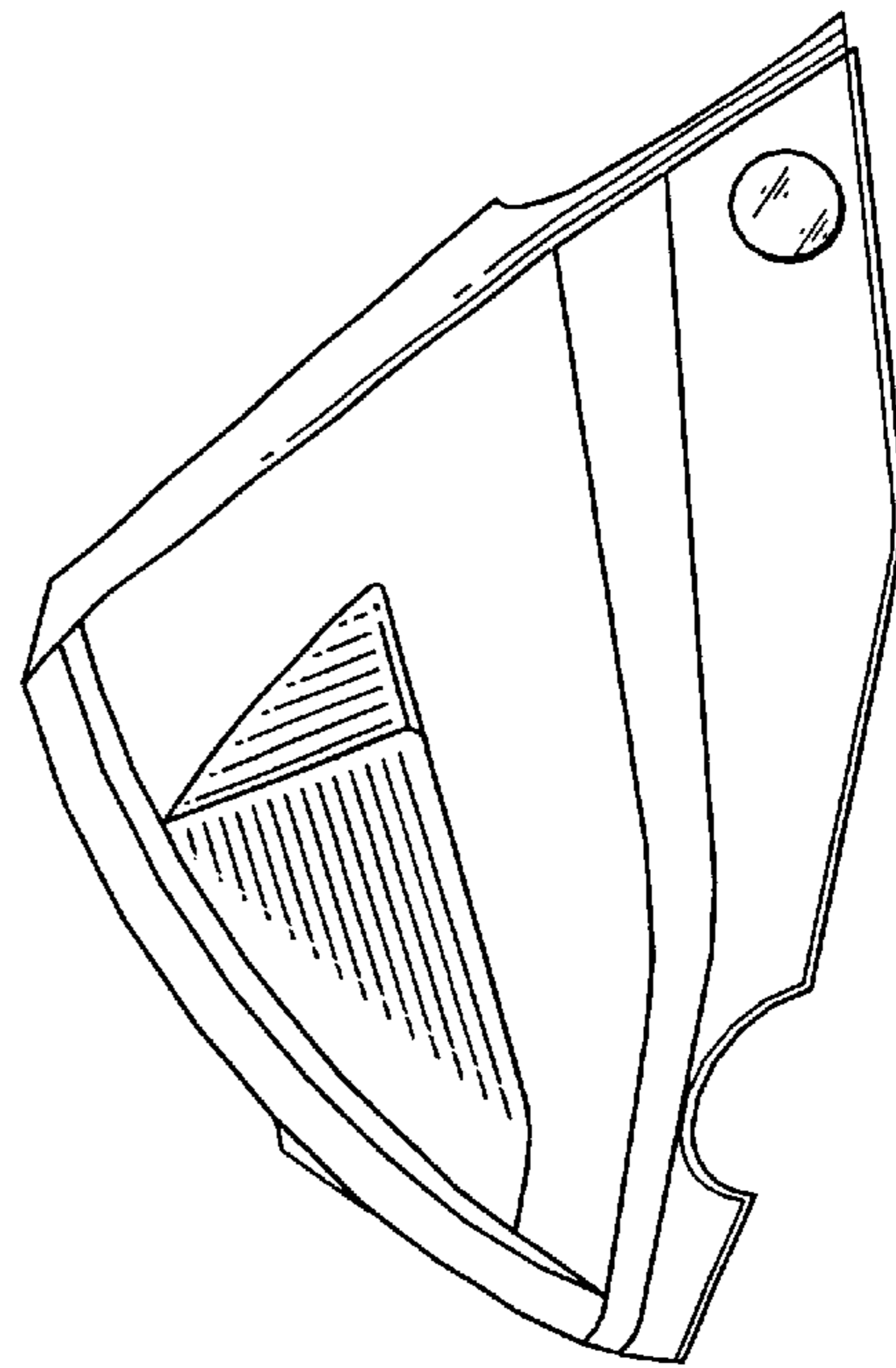


Fig. 4

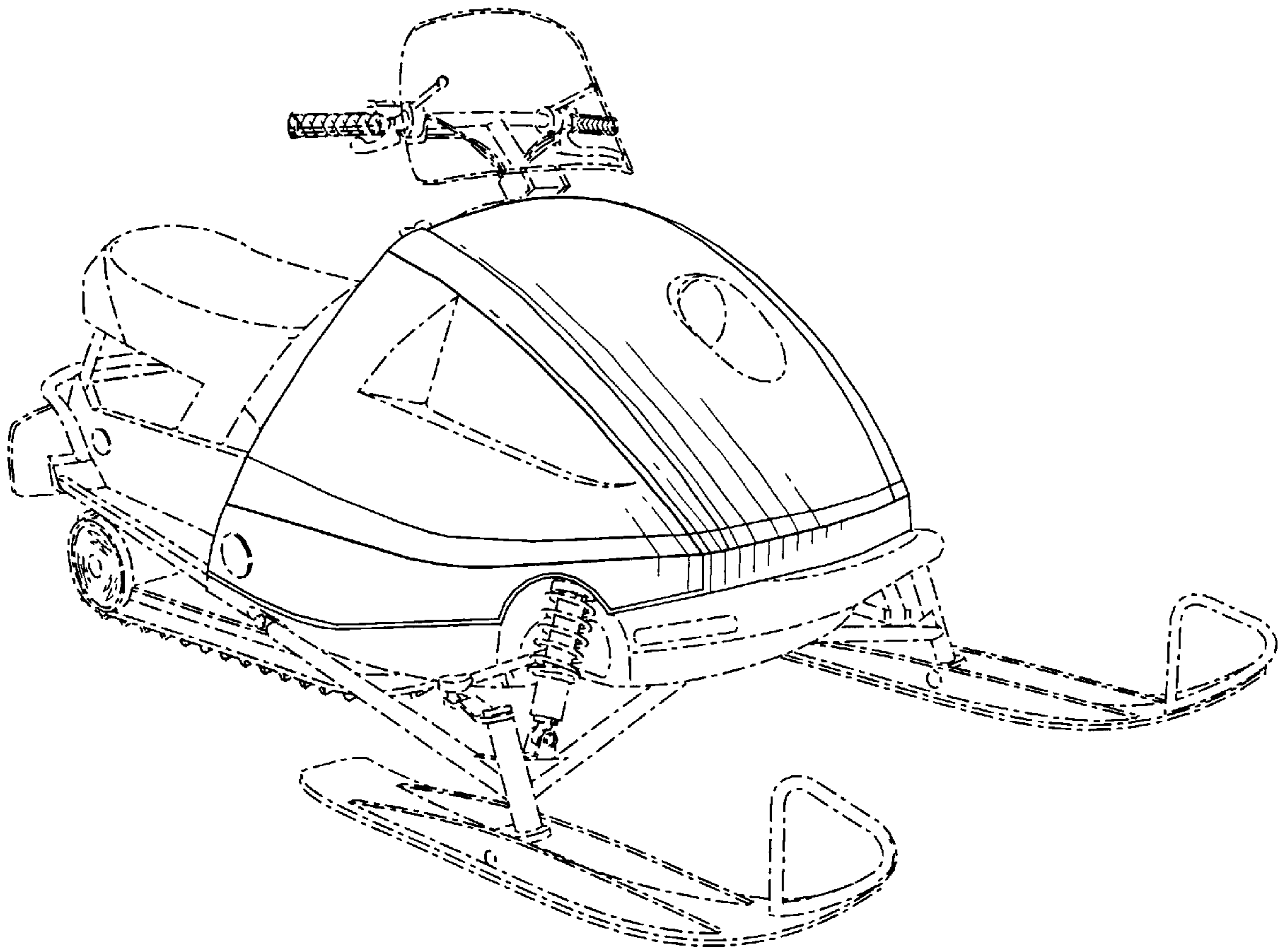


Fig. 7

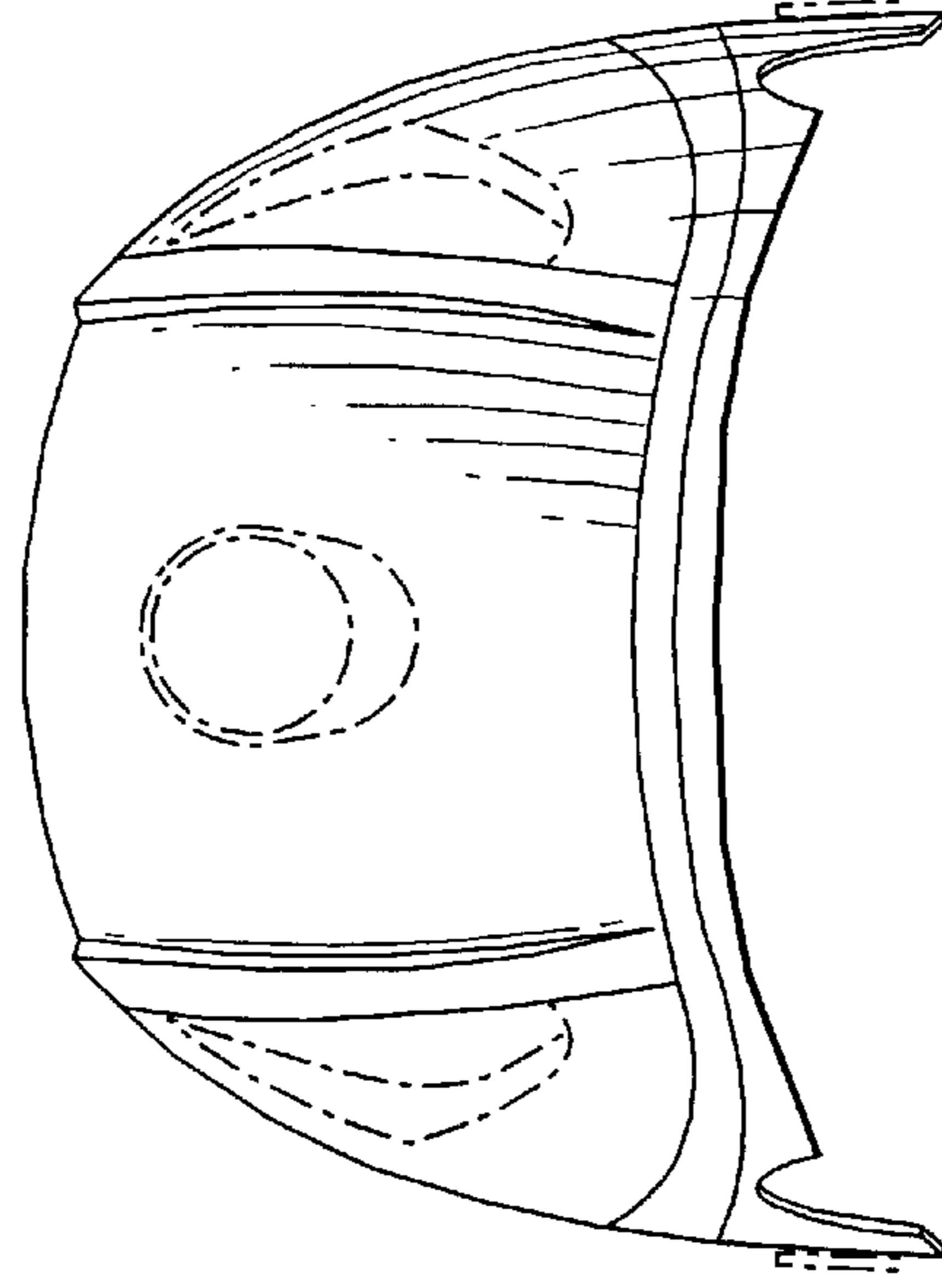


Fig. 8

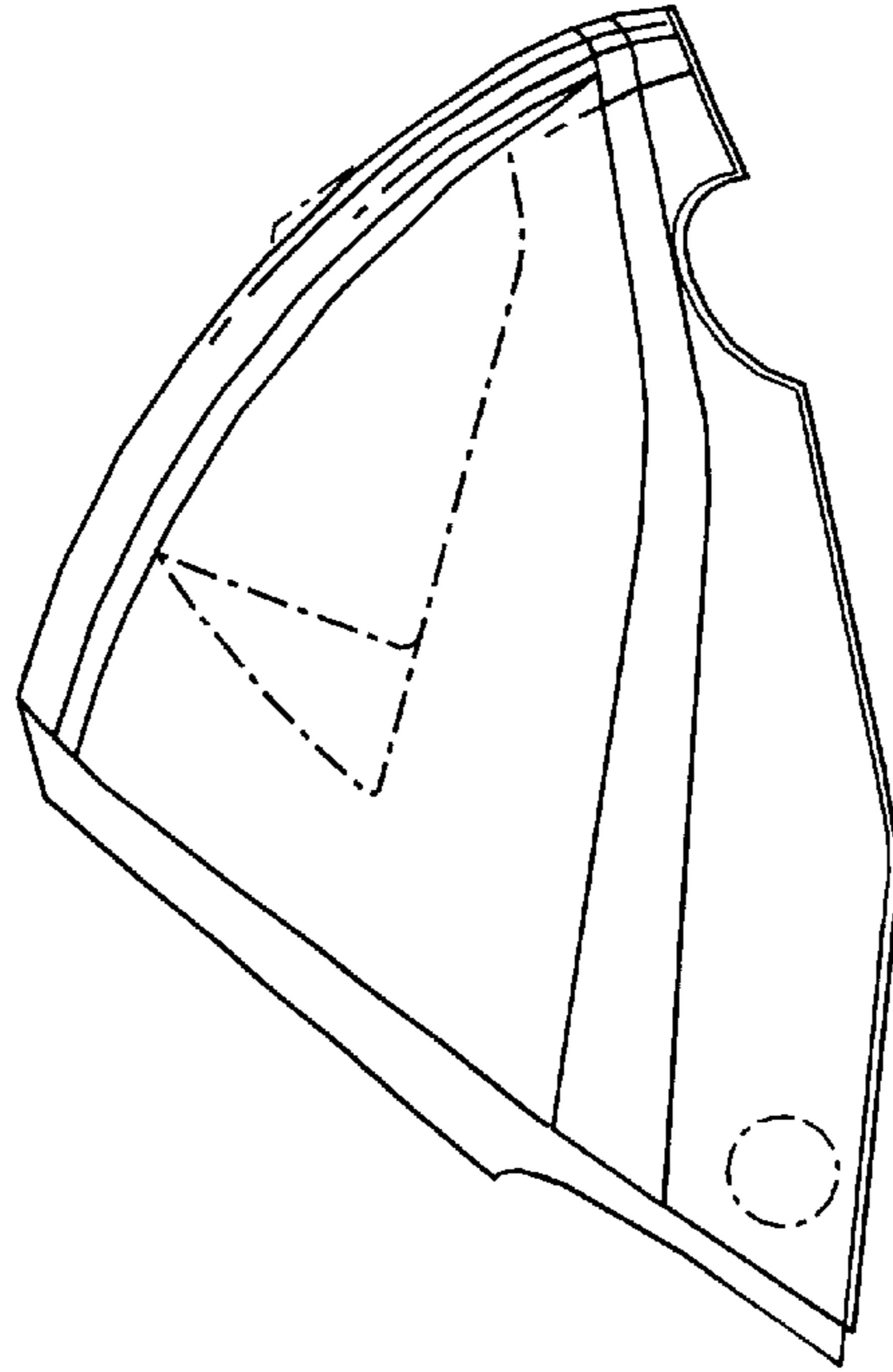


Fig. 9

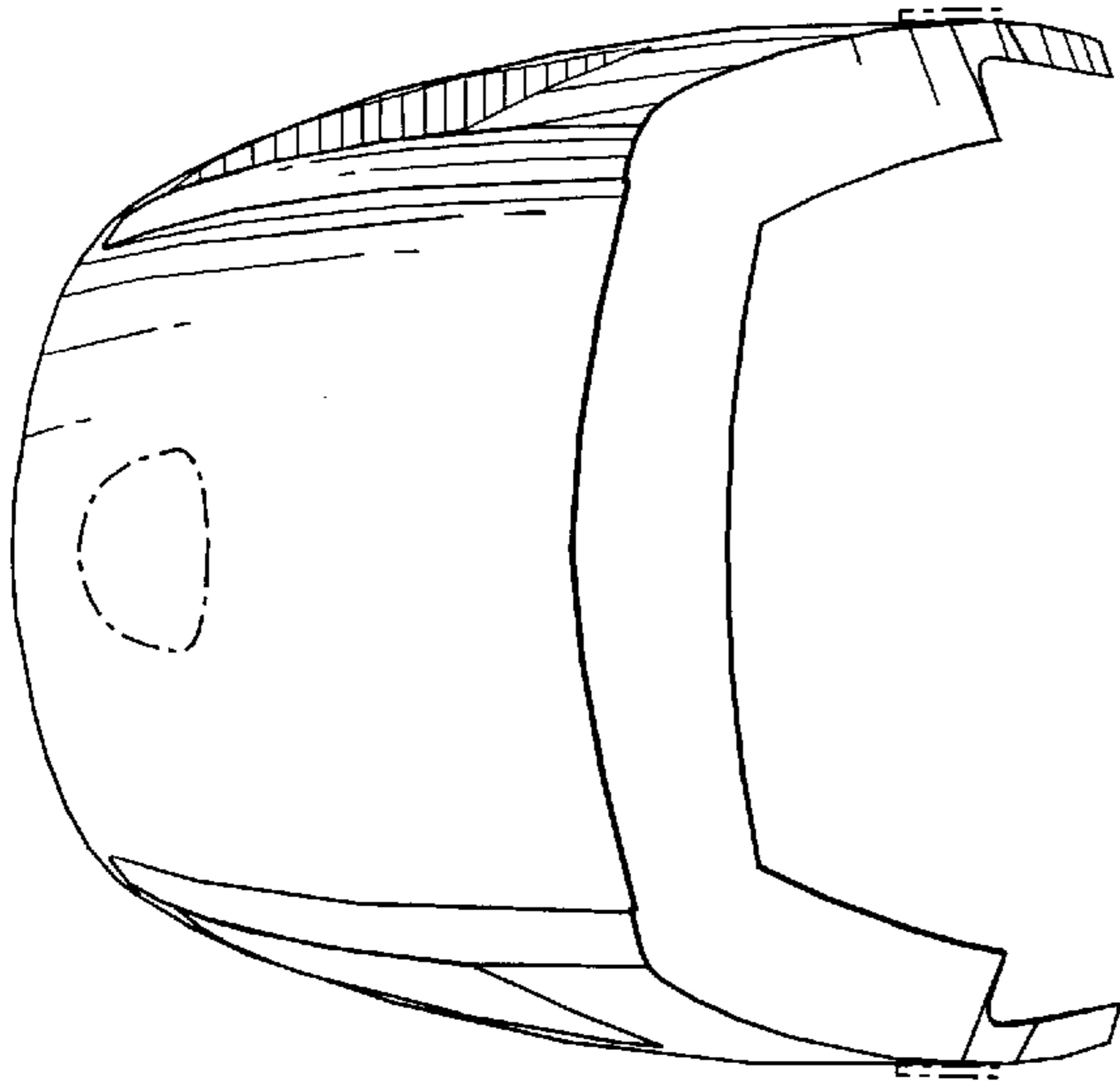


Fig. 12

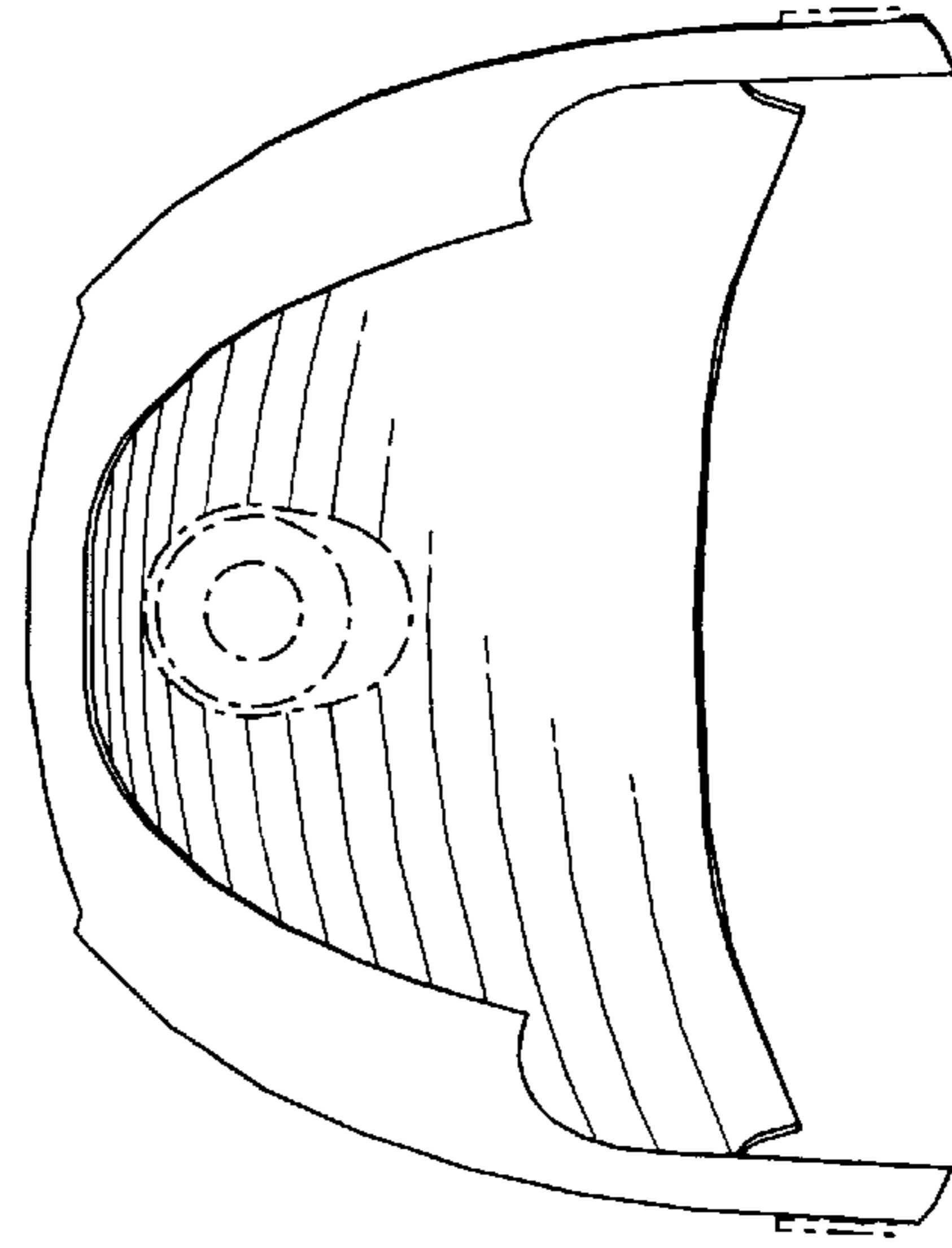


Fig. 11

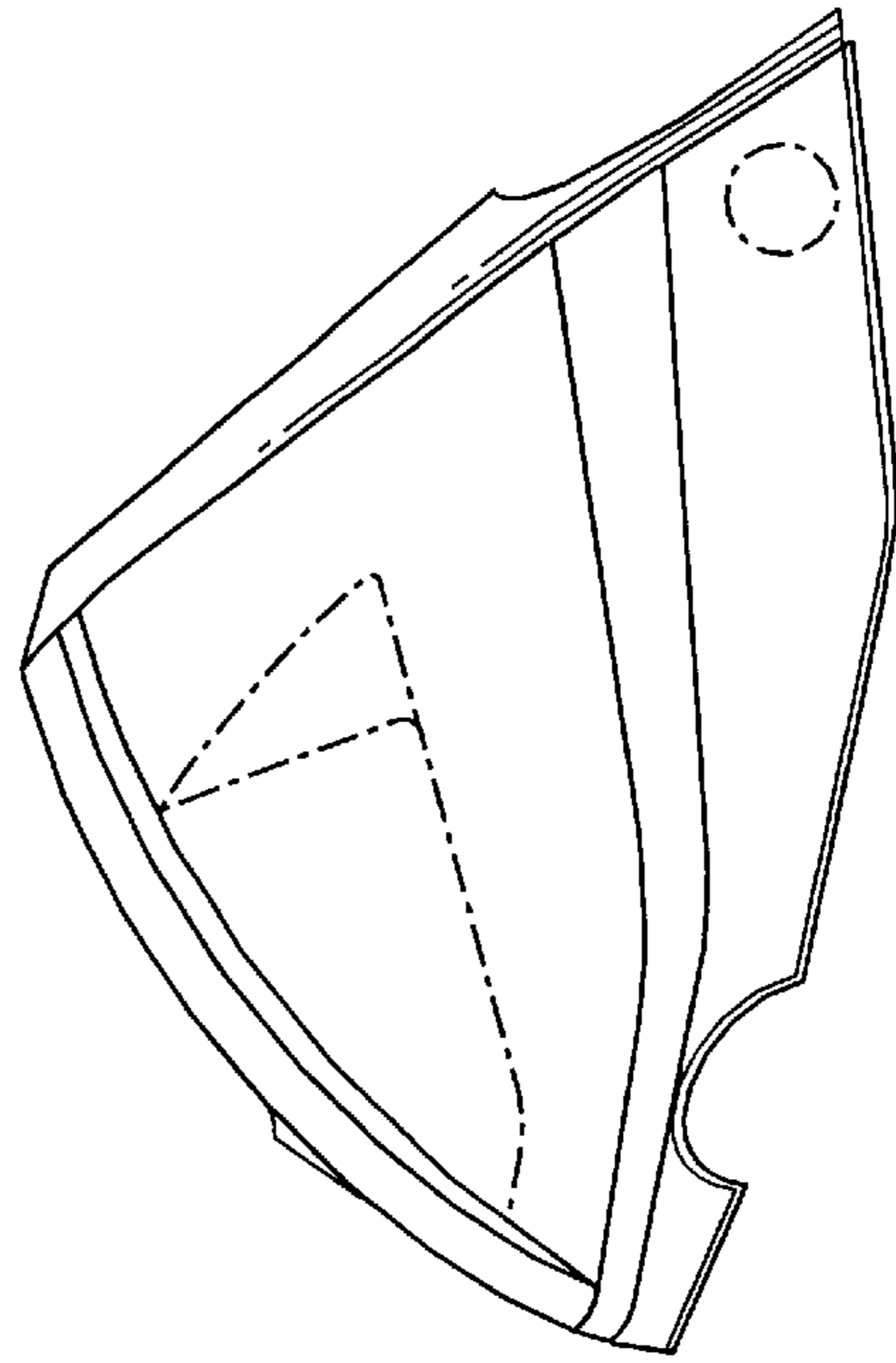


Fig. 10