



US00D457094S

(12) **United States Design Patent**
Cohen

(10) **Patent No.:** **US D457,094 S**

(45) **Date of Patent:** **** May 14, 2002**

(54) **COMBINED SIX STONE OVAL GEMSTONE ARRANGEMENT AND SETTING**

Primary Examiner—Ralf Seifert
(74) *Attorney, Agent, or Firm*—Ezra Sutton

(75) **Inventor:** **Jacob Cohen**, New York, NY (US)

(57) **CLAIM**

(73) **Assignee:** **L.I.D. Ltd.**, New York, NY (US)

The ornamental designs for a combined six stone oval gemstone arrangement and setting, as shown and described.

(**) **Term:** **14 Years**

DESCRIPTION

(21) **Appl. No.:** **29/137,826**

FIG. 1 is a top perspective view of a combined six stone oval gemstone arrangement and setting embodying my new design;

(22) **Filed:** **Feb. 28, 2001**

FIG. 2 is a top view thereof;

(51) **LOC (7) Cl.** **11-01**

FIG. 3 is a bottom view thereof;

(52) **U.S. Cl.** **D11/92**

FIG. 4 is a side view thereof, the other side view being a mirror image thereof;

(58) **Field of Search** D11/1, 2, 7, 26–29,
D11/35–36, 40–46, 78, 89–92; 63/1.1–36

FIG. 5 is a front view thereof, the rear view being a mirror image thereof; and,

(56) **References Cited**

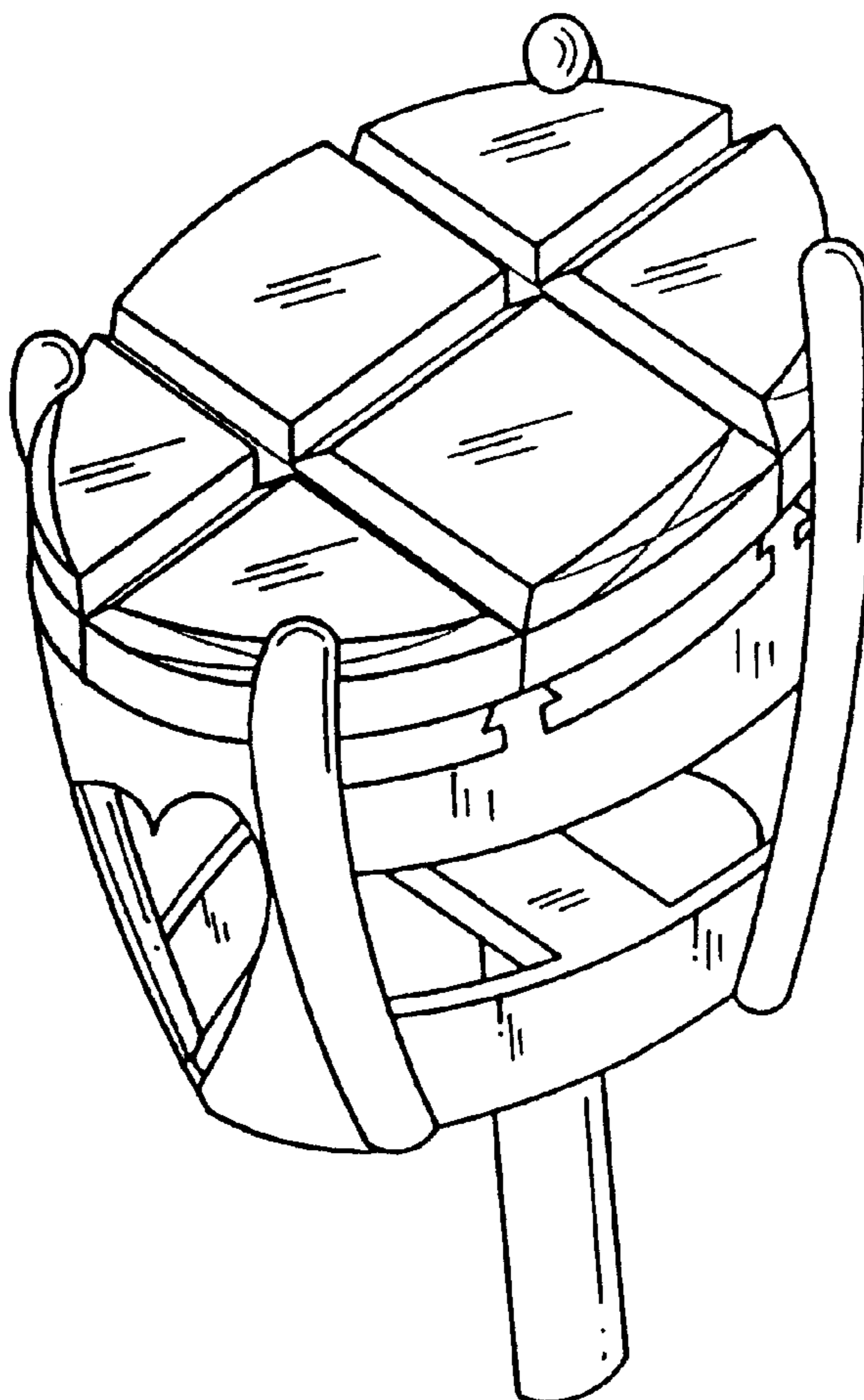
U.S. PATENT DOCUMENTS

FIG. 6 is a top perspective view of a combined six stone oval gemstone arrangement and setting in a second embodying my new design.

D388,015 S	*	12/1997	Itzkowitz	D11/90
D422,935 S	*	4/2000	Chan	D11/92
D442,514 S	*	5/2001	Chan	D11/91
D443,553 S	*	6/2001	Chan	D11/92
D443,555 S	*	6/2001	Lai	D11/92

* cited by examiner

1 Claim, 2 Drawing Sheets



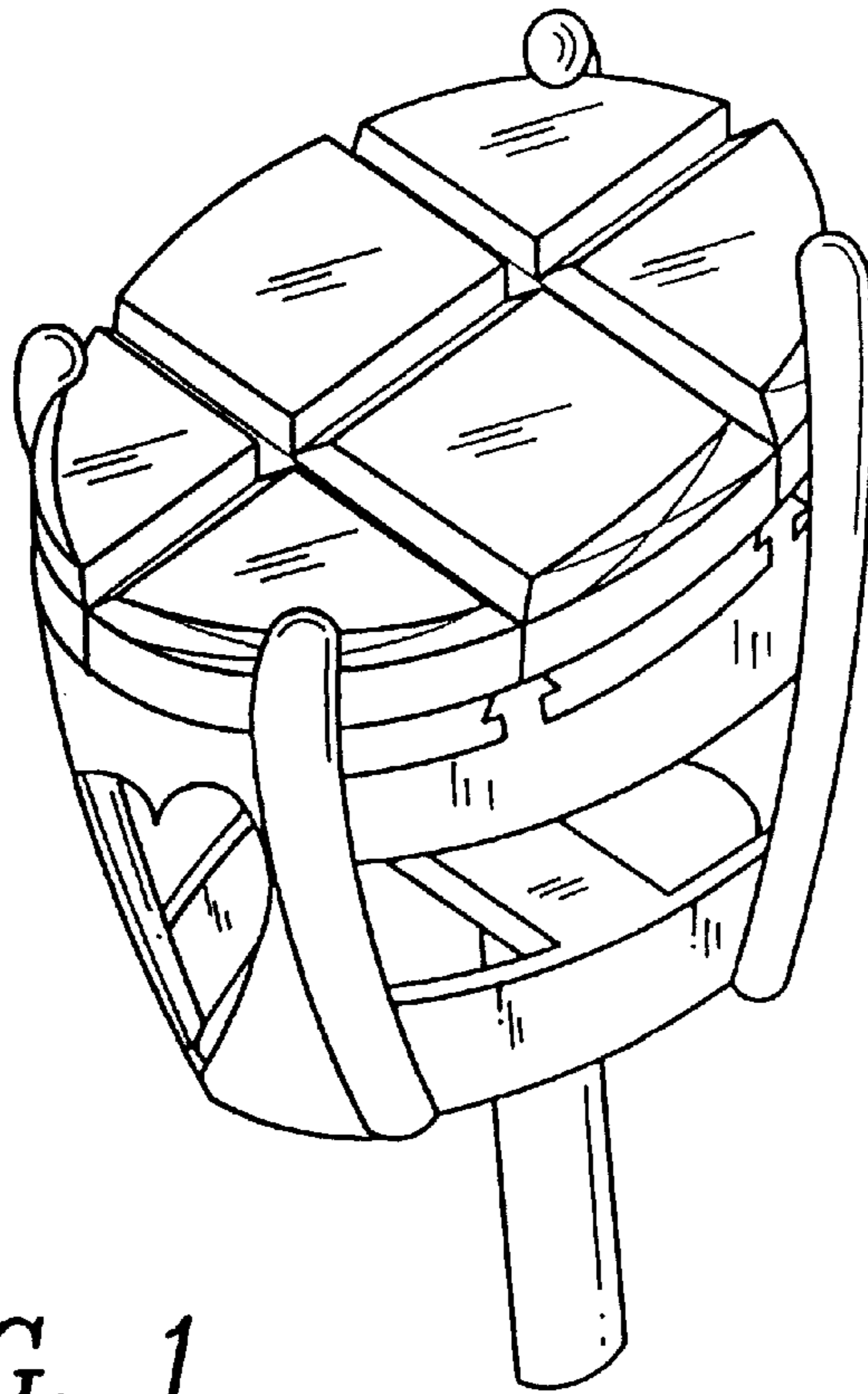


FIG. 1

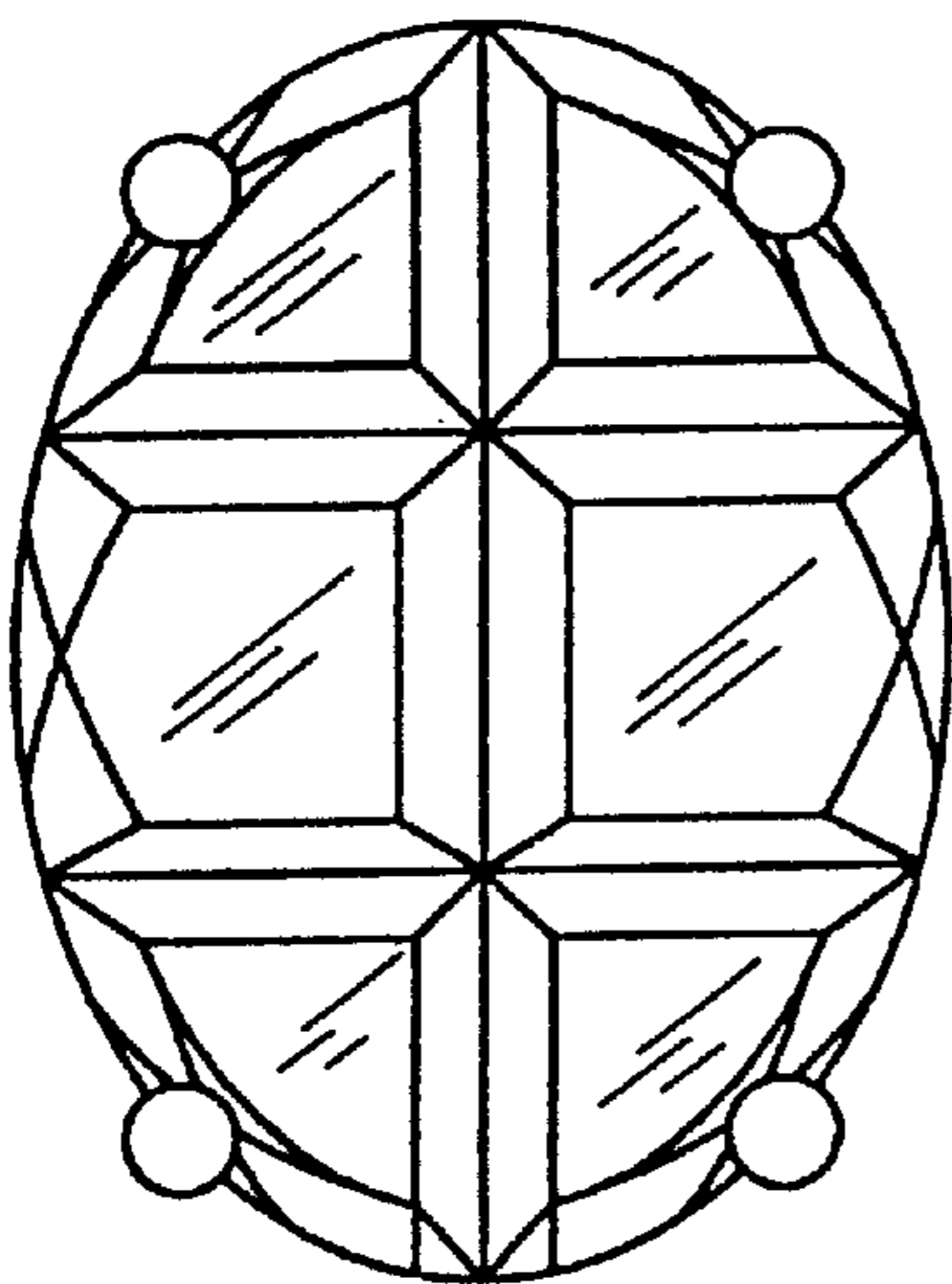


FIG. 2

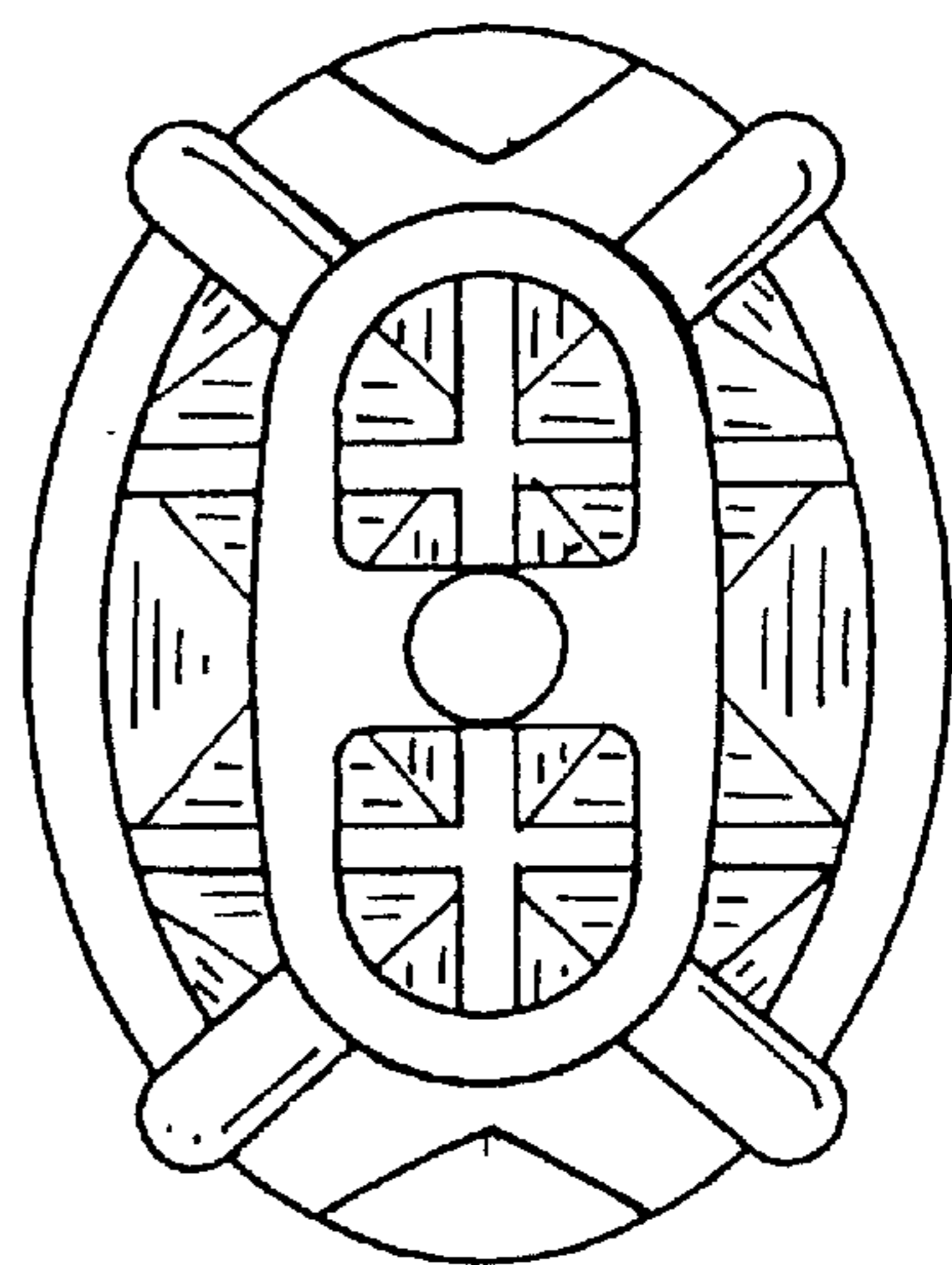


FIG. 3

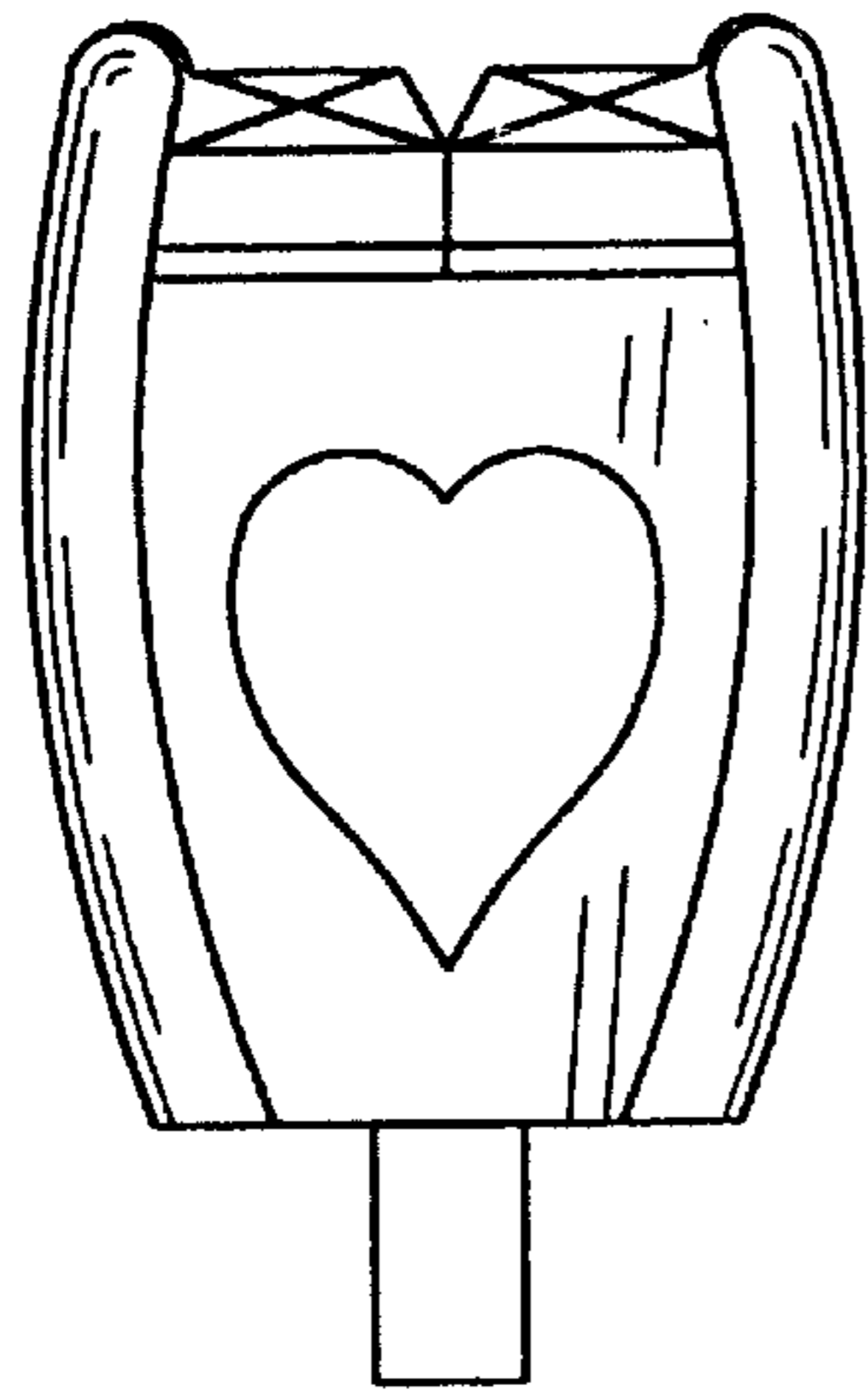


FIG. 4

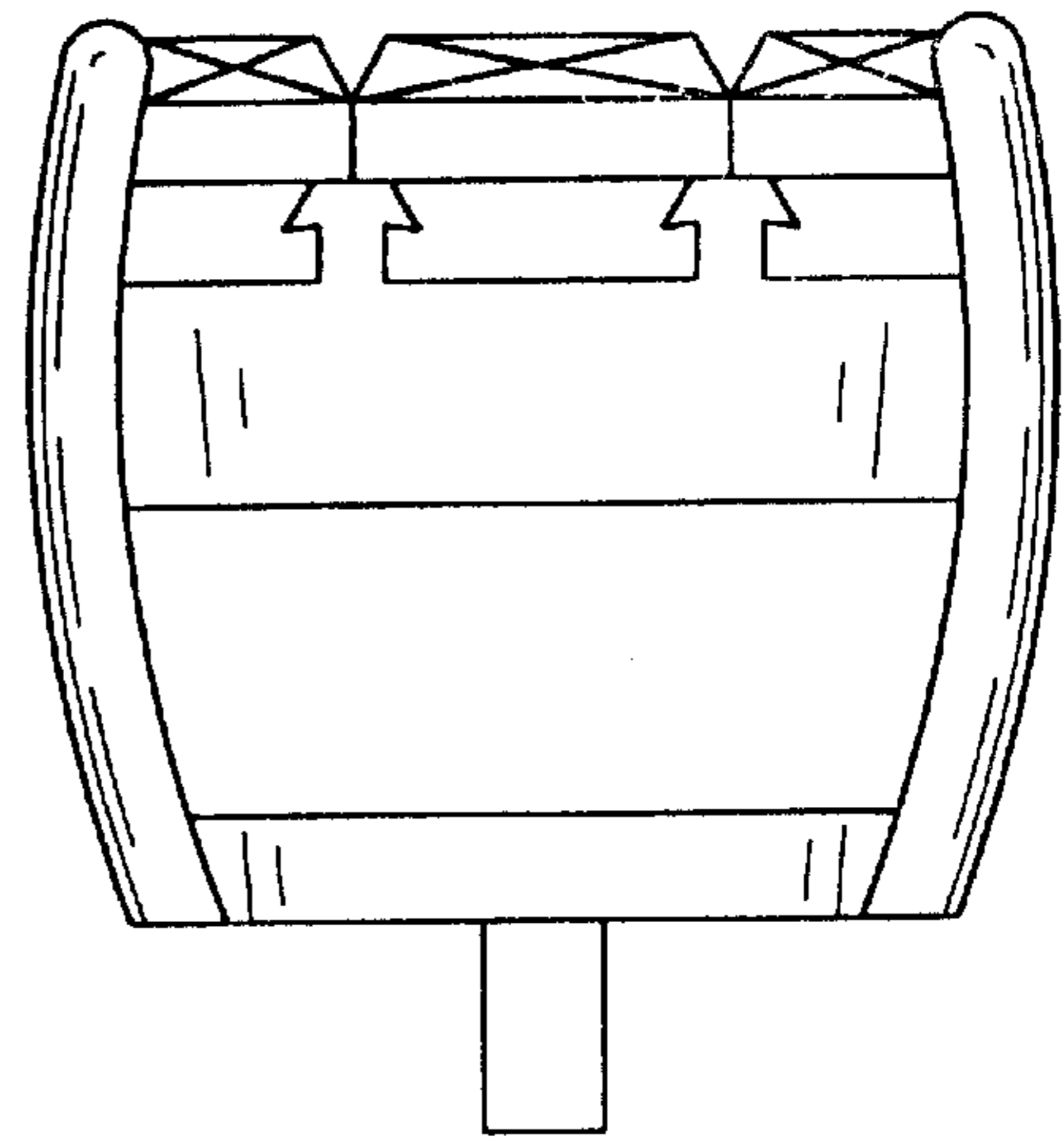


FIG. 5

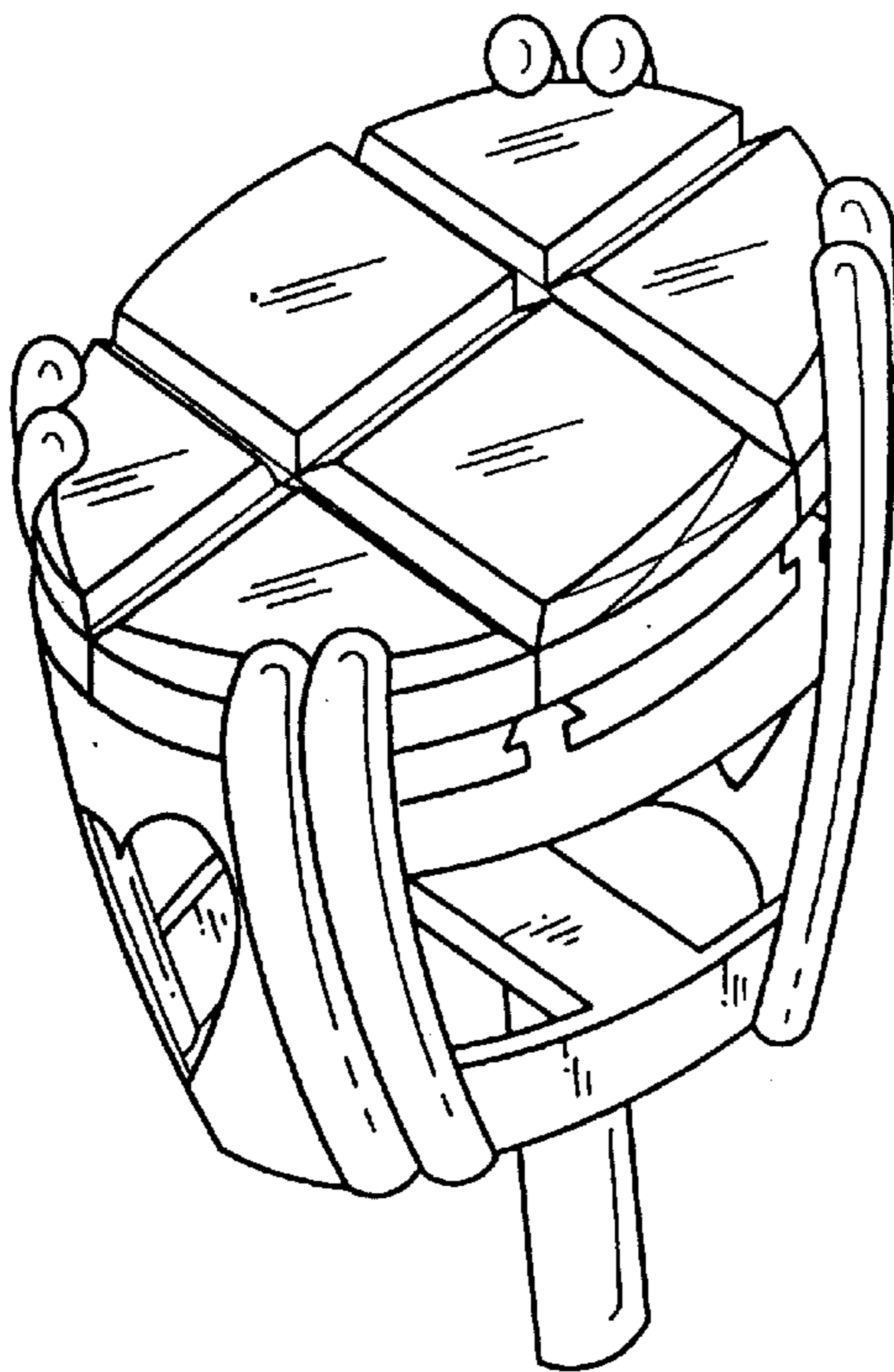


FIG. 6