



US00D457084S

(12) **United States Design Patent**
Pope

(10) **Patent No.:** **US D457,084 S**

(45) **Date of Patent:** **** May 14, 2002**

(54) **VAPOR FLOW MEASUREMENT HOUSING**

(75) Inventor: **Kenneth L. Pope**, Walkertown, NC (US)

(73) Assignee: **Marconi Commerce Systems Inc.**, Greensboro, NC (US)

(**) Term: **14 Years**

(21) Appl. No.: **29/141,525**

(22) Filed: **May 8, 2001**

(51) **LOC (7) Cl.** **10-04**

(52) **U.S. Cl.** **D10/96**

(58) **Field of Search** D10/85; 141/59, 141/94, 95

(56) **References Cited**

U.S. PATENT DOCUMENTS

- 6,044,873 A * 4/2000 Miller 141/59
- 6,125,687 A * 10/2000 McClelland et al. 73/19.01
- 6,305,440 B1 * 10/2001 McCall et al. 141/7

* cited by examiner

Primary Examiner—Antoine Duval Davis
(74) *Attorney, Agent, or Firm*—Withrow & Terranova PLLC

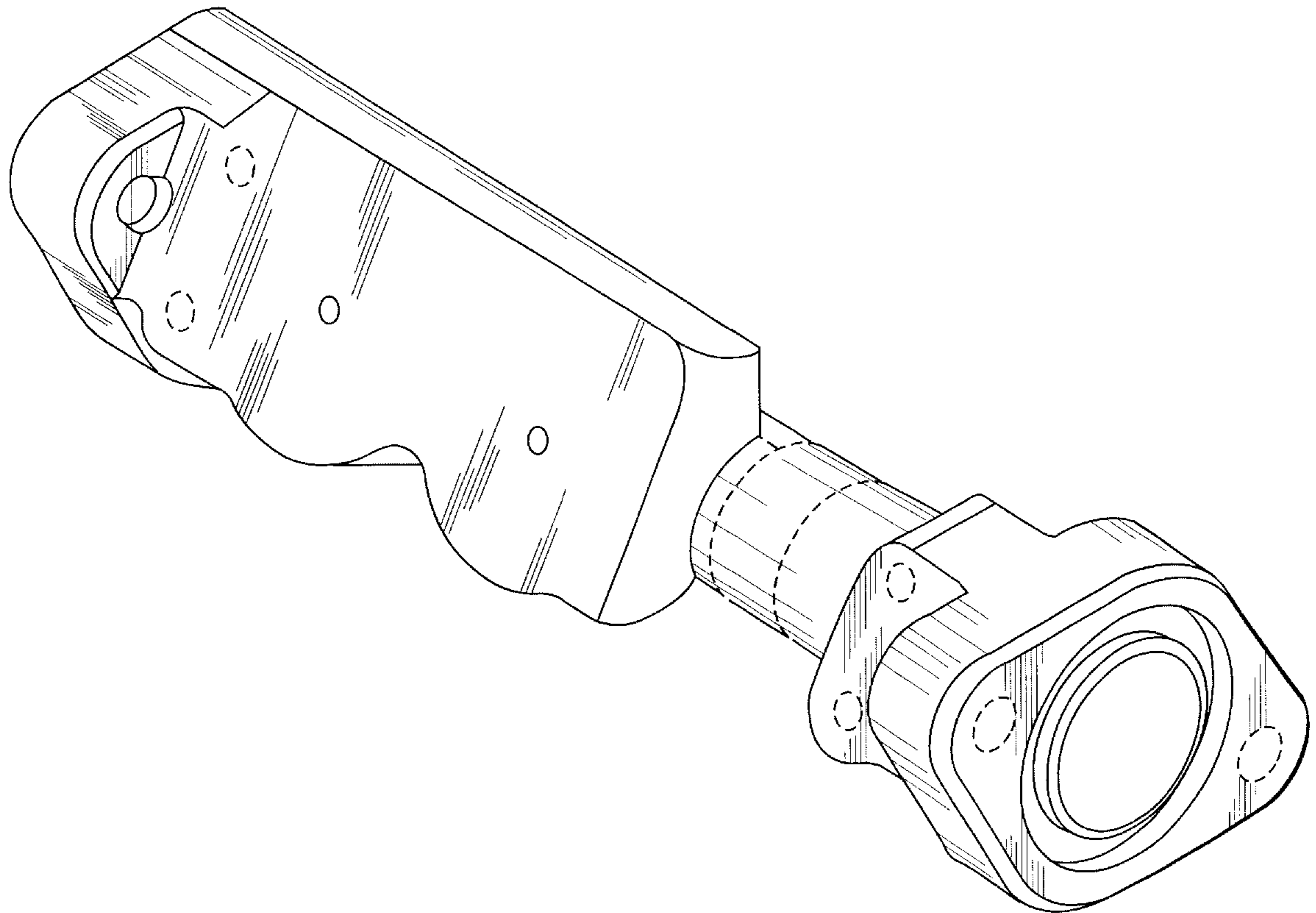
(57) **CLAIM**

The ornamental design for a vapor flow measurement housing, as shown and described.

DESCRIPTION

FIG. 1 is a top, front, left side perspective view of the housing design showing our new design, the design is shown in a first representative embodiment;
 FIG. 2 is a leftside elevational view of the housing front end design;
 FIG. 3 is a front elevational view of the housing body design; and,
 FIG. 4 is a top view of the housing design.
 The bottom, right side and rear elevational views of the design are not shown and would not depict any aspect of the invention not already shown in the Figures.
 Our new design comprises, essentially, a vapor flow measurement body design. The broken-line disclosure of a vehicle and portions thereof in the views is for environmental purposes only and forms no part of the claimed design.

1 Claim, 4 Drawing Sheets



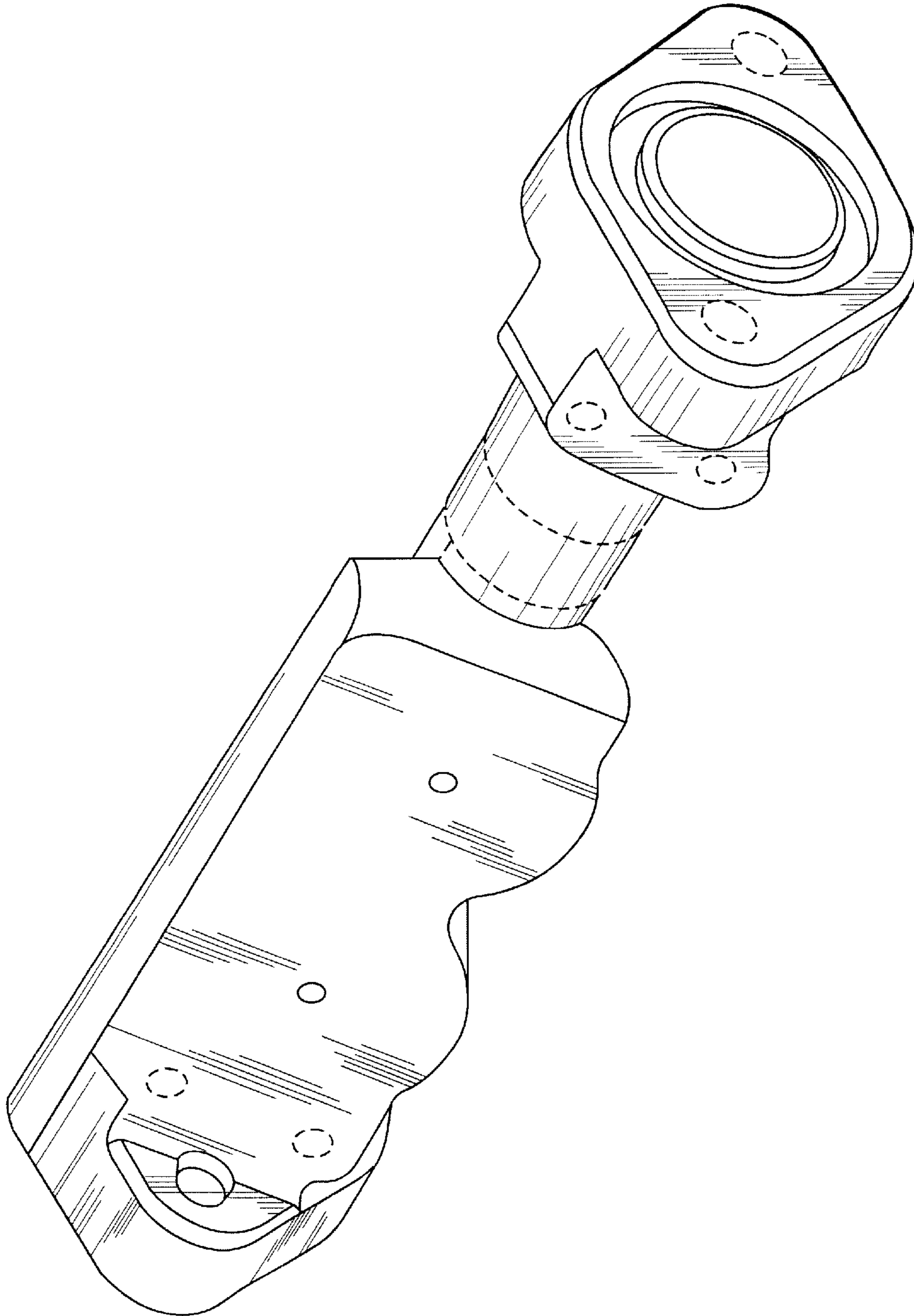


FIG. 1

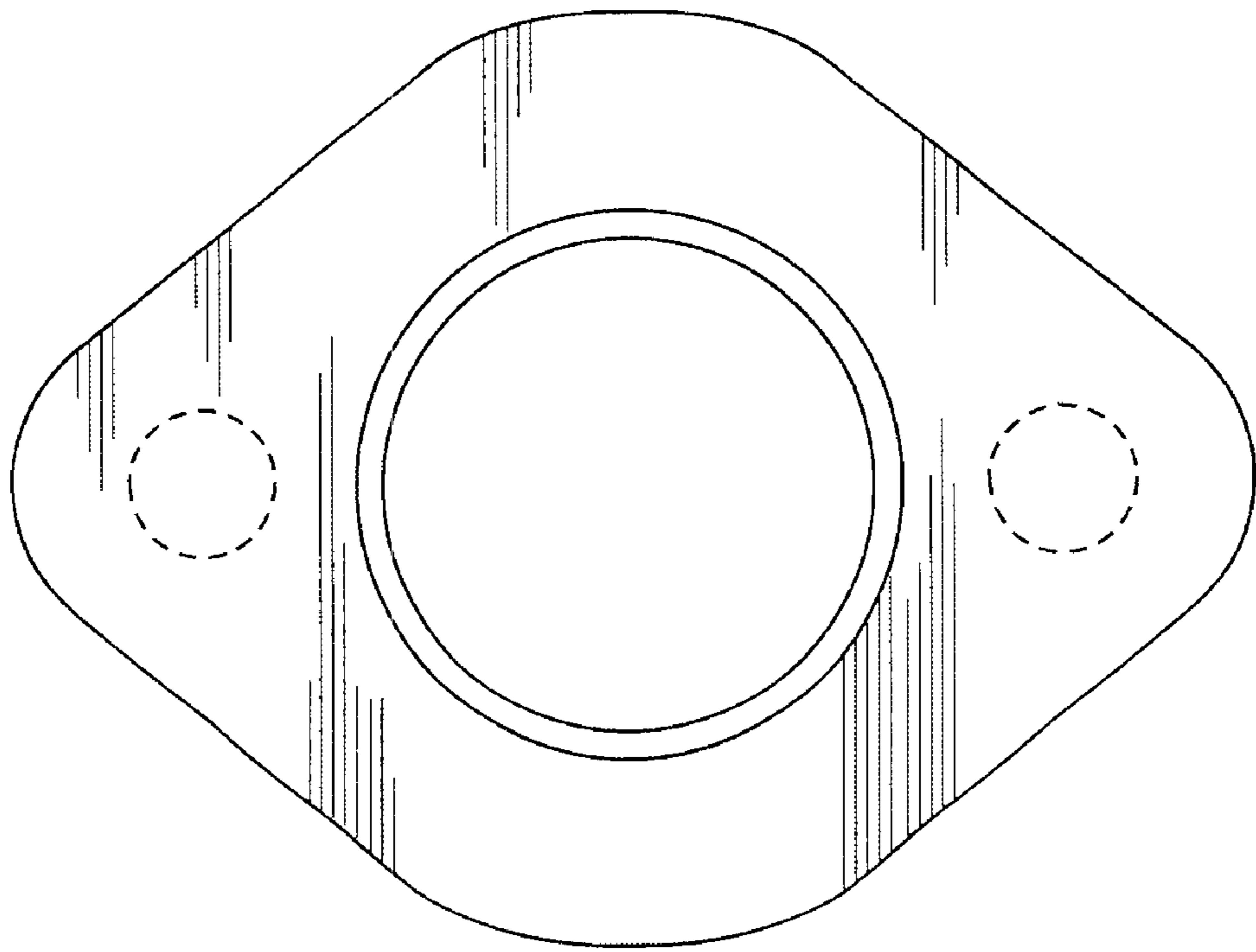


FIG. 2

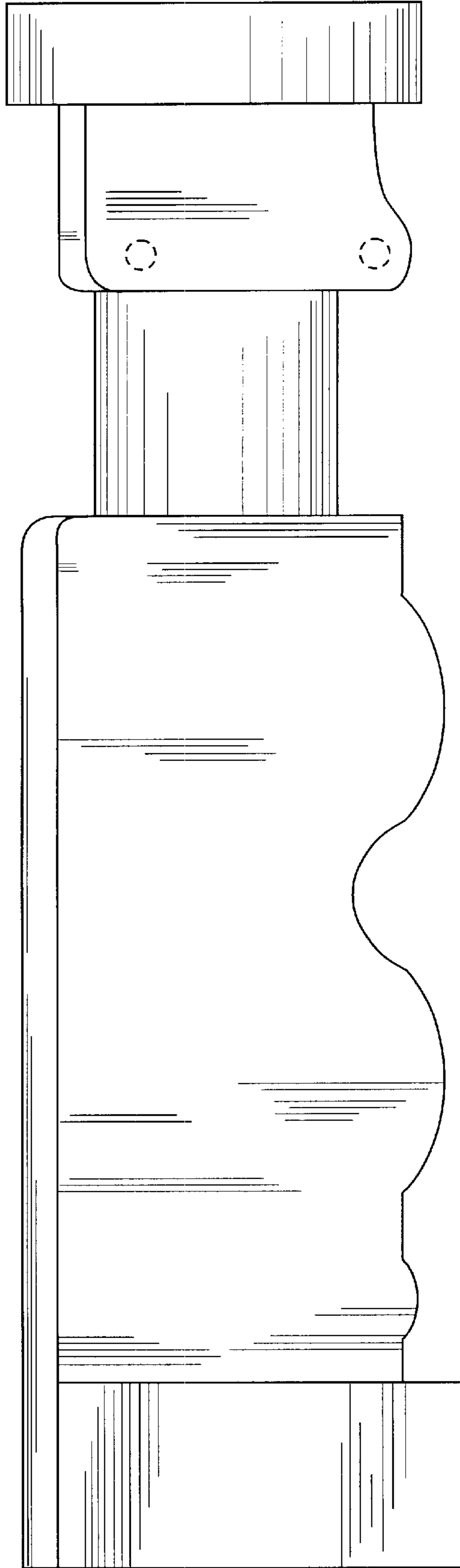


FIG. 3

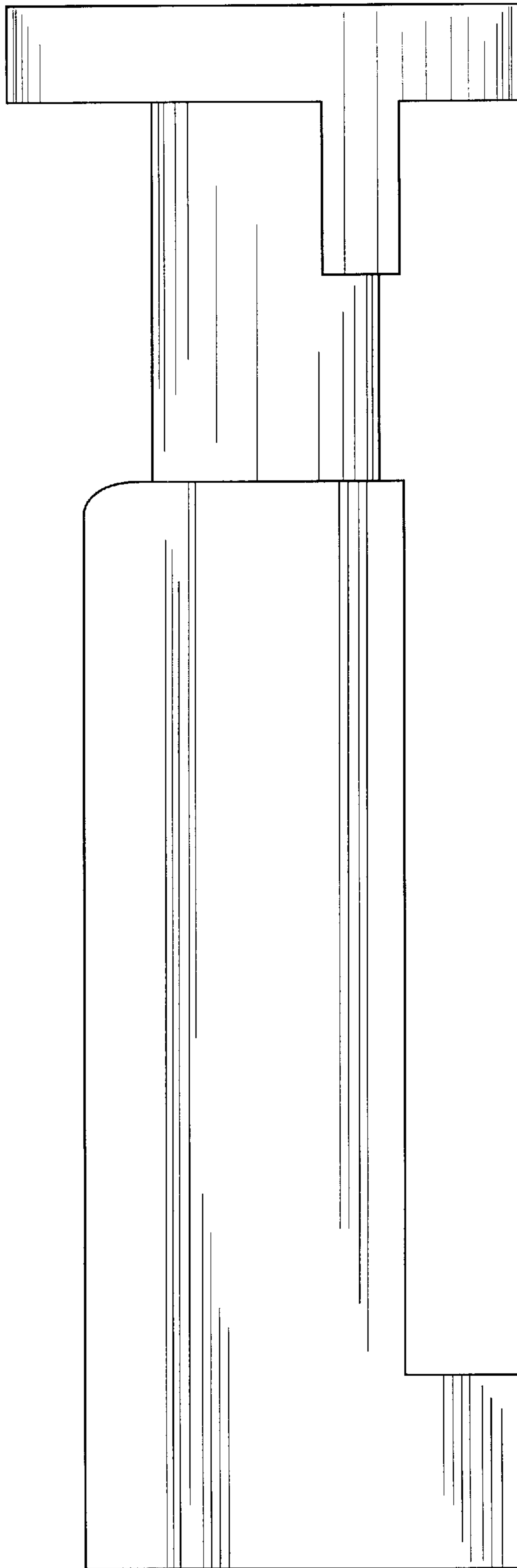


FIG. 4