



US00D457083S

(12) **United States Design Patent**  
**Christiansen**

(10) **Patent No.:** **US D457,083 S**

(45) **Date of Patent:** **\*\* May 14, 2002**

(54) **LOW FLOW ROTAMETER**

*Primary Examiner*—Antoine Duval Davis

(76) Inventor: **Tom Christiansen**, 6012 S. Newlin,  
Apt. D, Whittier, CA (US) 90601

(57) **CLAIM**

(\*\*) Term: **14 Years**

The ornamental design for a low flow rotameter, as shown and described.

(21) Appl. No.: **29/139,524**

**DESCRIPTION**

(22) Filed: **Mar. 31, 2001**

(51) **LOC (7) Cl.** ..... **10-04**

FIG. 1 is a perspective view of a low flow rotameter showing my new design;

(52) **U.S. Cl.** ..... **D10/96**

FIG. 2 is cross-section view of FIG. 1 thereof,

(58) **Field of Search** ..... D10/96; 348/160,  
348/373; 702/100; 73/861.56, 861.57

FIG. 3 is a right side elevational view thereof;

(56) **References Cited**

FIG. 4 is a top plan view, bottom plan being a mirrored image thereof;

**U.S. PATENT DOCUMENTS**

FIG. 5 is a front elevational view thereof; and,

4,102,187 A \* 7/1978 Williams ..... 73/861.56

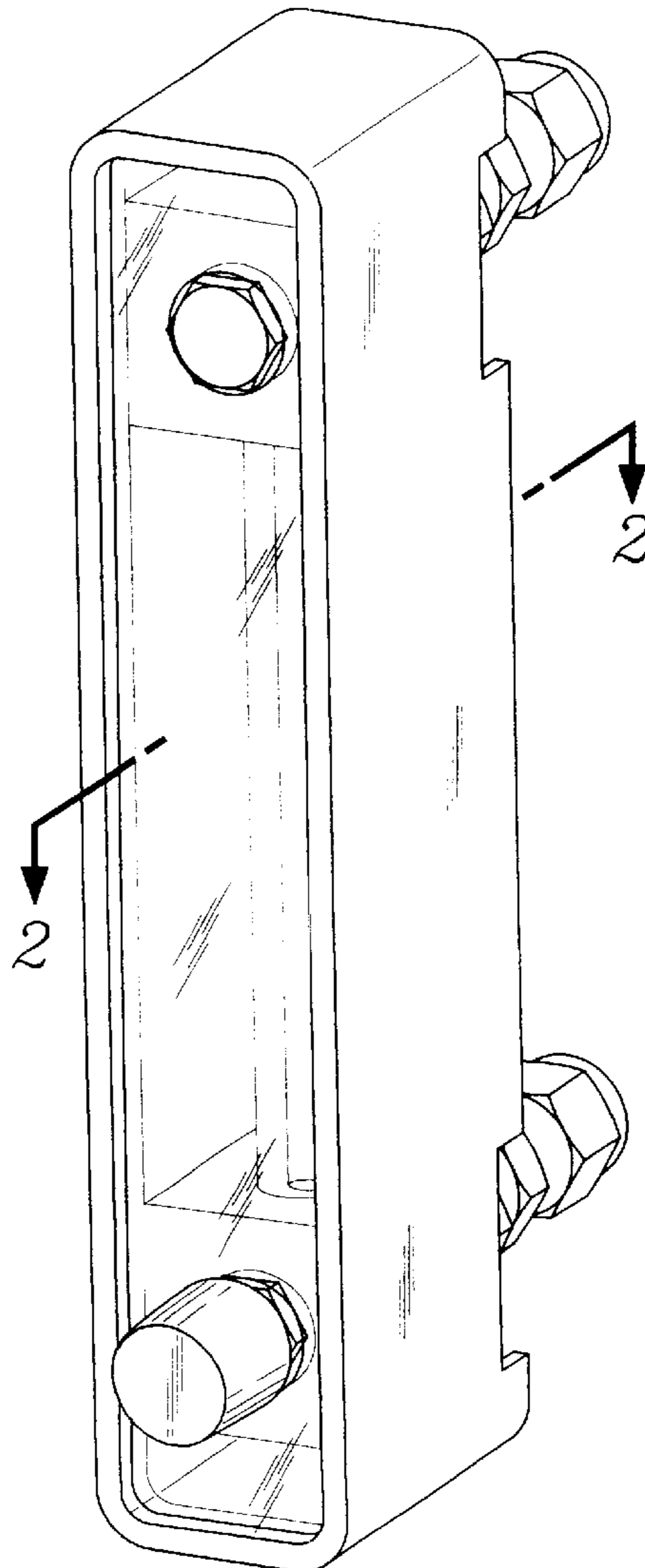
FIG. 6 is a rear elevational view thereof.

4,523,480 A \* 6/1985 Imoue ..... 73/861.56

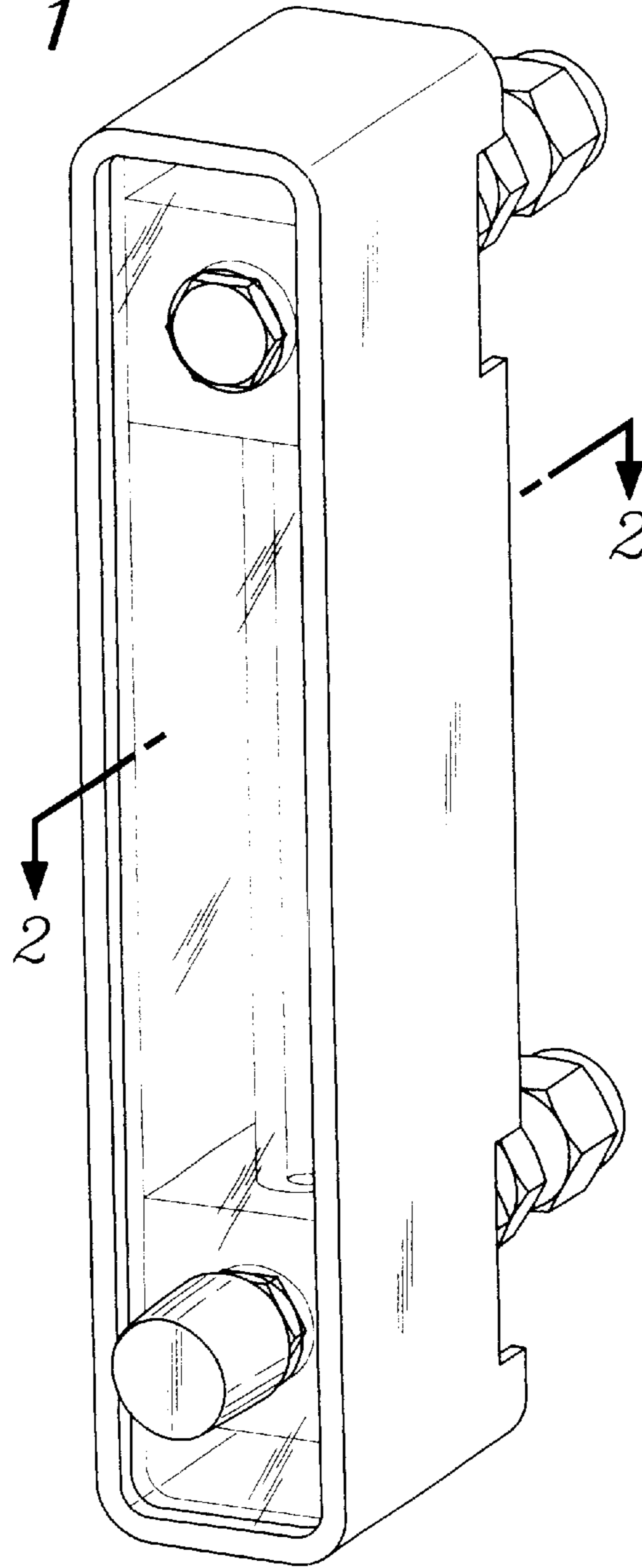
5,911,219 A \* 6/1999 Aylsworth et al. ... 73/861.56 X

\* cited by examiner

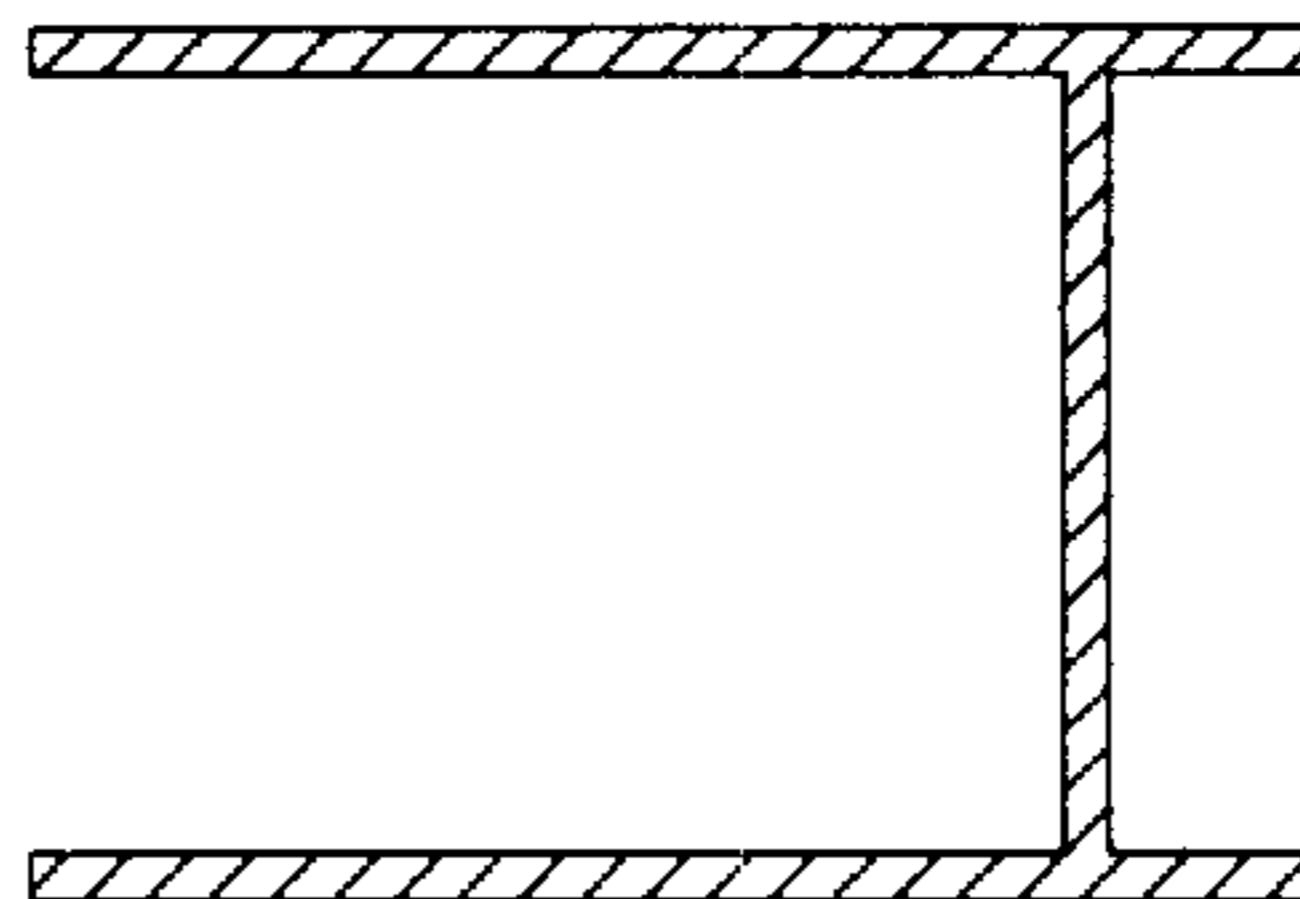
**1 Claim, 3 Drawing Sheets**



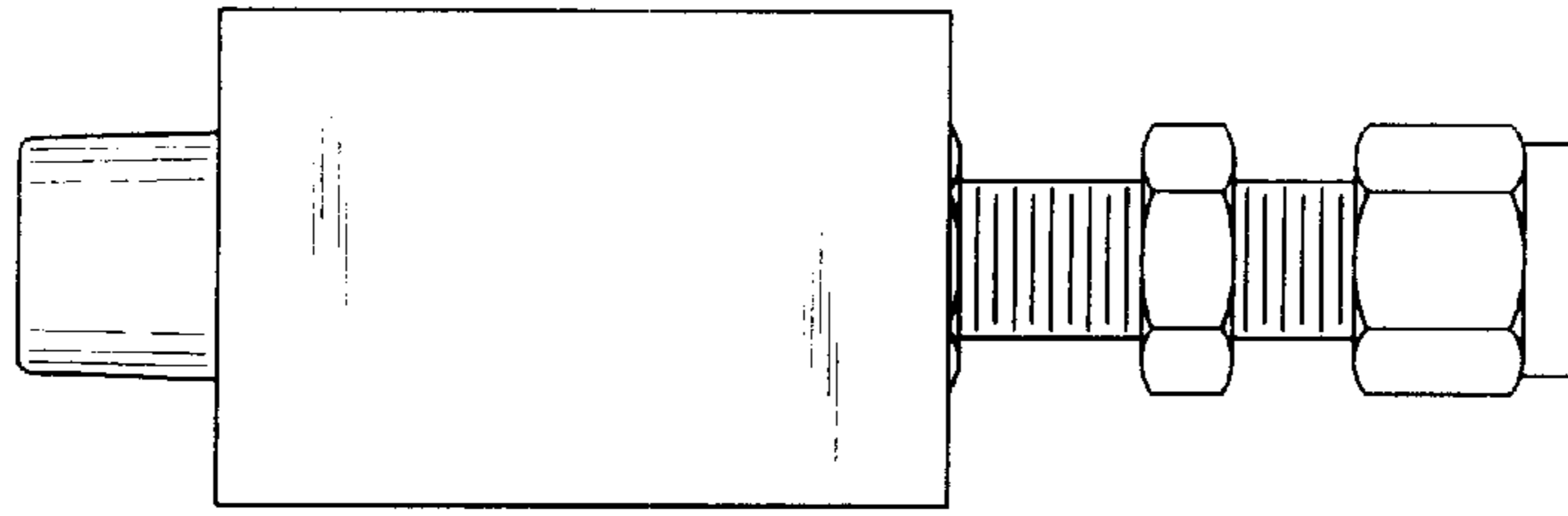
*Fig. 1*



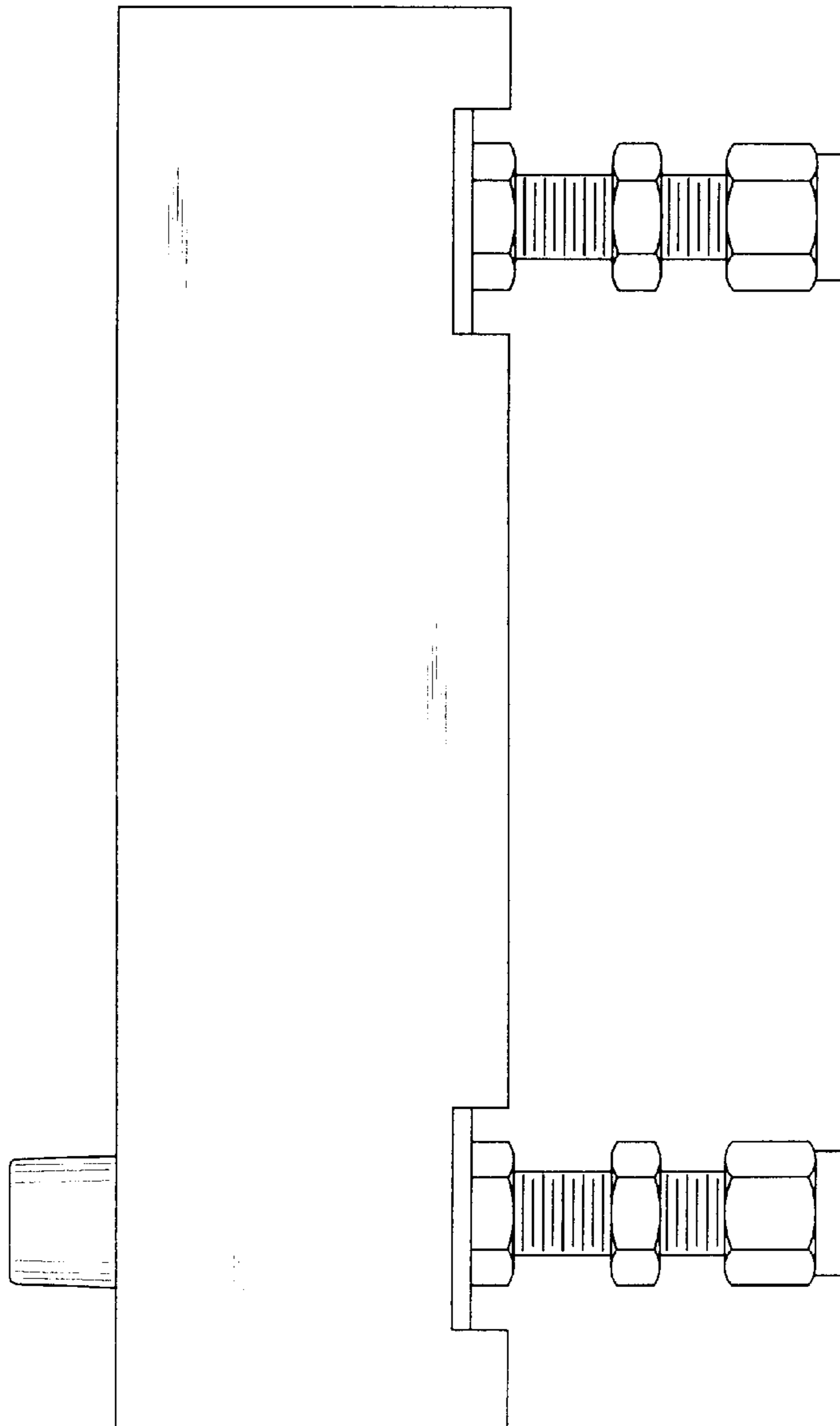
*Fig. 2*



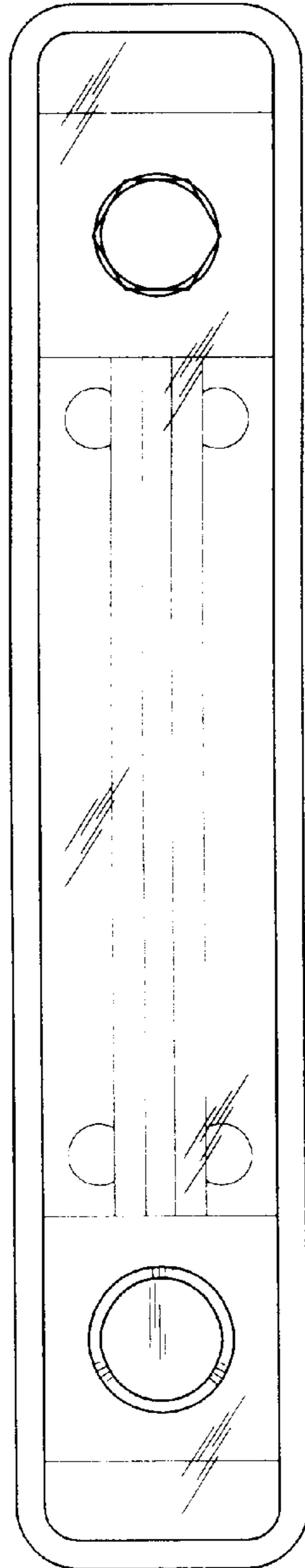
*Fig. 4*



*Fig. 3*



*Fig. 5*



*Fig. 6*

