



US00D457081S

(12) **United States Design Patent**
Novitsky et al.

(10) **Patent No.:** **US D457,081 S**

(45) **Date of Patent:** **** May 14, 2002**

(54) **HOUSING DEVICE FOR MEASURING FLUORESCENCE POLARIZATION**

6,171,807 B1 * 1/2001 Novitsky et al. 436/7.8
D443,216 S 6/2001 Novitsky et al.

(75) Inventors: **Thomas J. Novitsky; John L. Sloyer, Jr.**, both of Falmouth; **Elias R. Elias**, Milton, all of MA (US); **Alan Shinn**, Berkeley; **Chiko Fan**, San Ramon, both of CA (US)

* cited by examiner

Primary Examiner—Antoine Duval Davis
(74) *Attorney, Agent, or Firm*—Oblon, Spivak, McClelland, Maier & Neustadt, P.C.

(73) Assignee: **Associates of Cape Cod, Inc.**, Falmouth, MA (US)

(57) **CLAIM**

The ornamental design for a housing device for measuring fluorescence polarization, as shown and described.

(**) Term: **14 Years**

DESCRIPTION

(21) Appl. No.: **29/145,489**

(22) Filed: **Jul. 25, 2001**

Related U.S. Application Data

(62) Division of application No. 29/126,884, filed on Jul. 27, 2000, now Pat. No. Des. 450,256.

(51) **LOC (7) Cl.** **10-04**

(52) **U.S. Cl.** **D10/81**

(58) **Field of Search** D10/46, 81; 435/7.1, 435/7.2, 7.8, 536, 543, 544, 350; 356/364, 367, 369, 385; 250/225

FIG. 1 is a top and left front perspective view showing a housing device for measuring fluorescence polarization, showing our design;

FIG. 2 is a front elevational view thereof;

FIG. 3 is a left side elevational view thereof;

FIG. 4 is a right side elevational view thereof;

FIG. 5 is a rear elevational view thereof;

FIG. 6 is a top plan view thereof;

FIG. 7 is a bottom plan view thereof;

FIG. 8 is a top, rear and right side perspective view thereof; and,

FIG. 9 is a top, front and left side perspective view thereof showing a sample tray of the housing in an open position for insertion of a sample test tube.

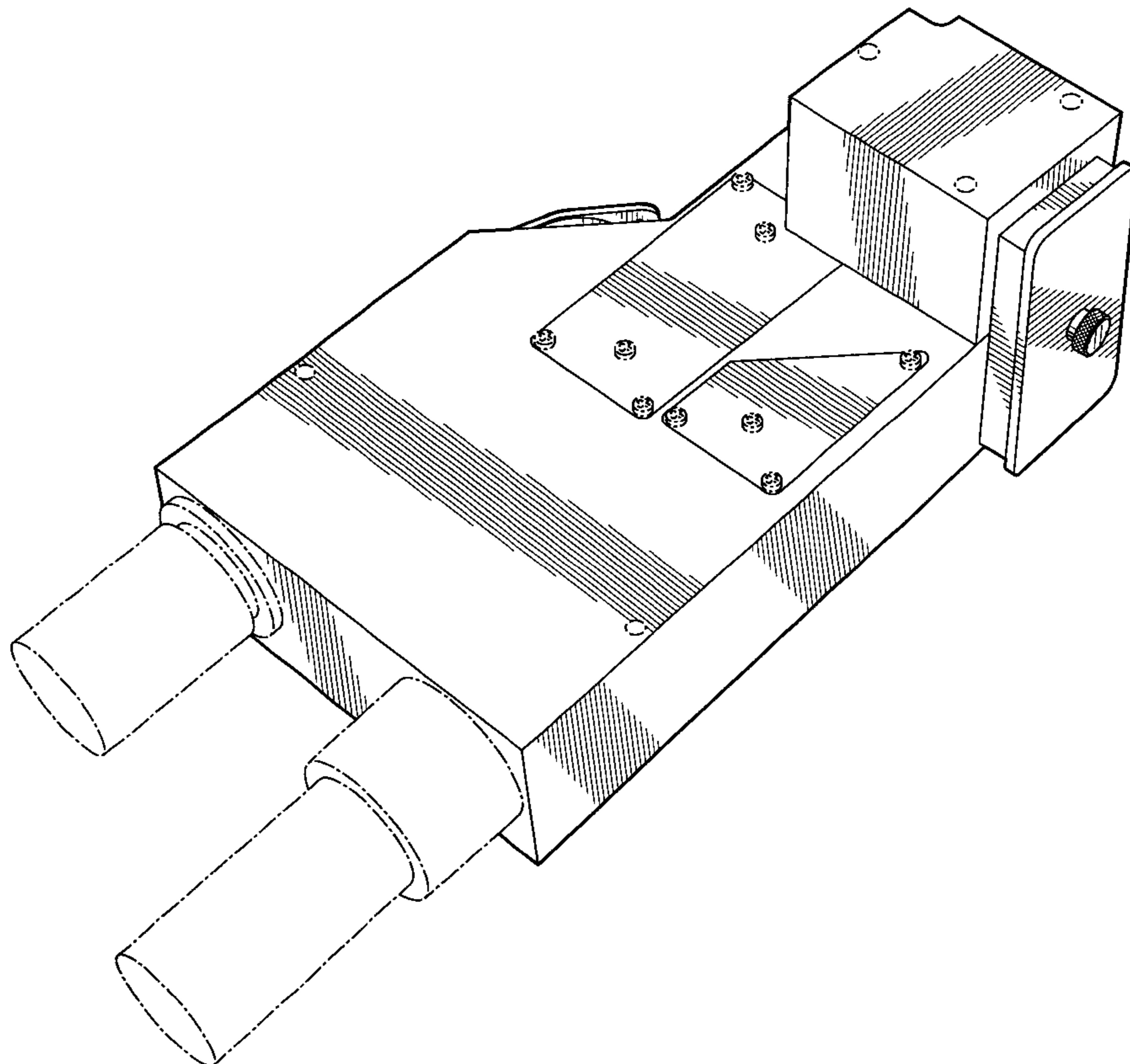
The broken line showing in the figures is for illustrative purposes only and forms no part of the claimed design.

(56) **References Cited**

U.S. PATENT DOCUMENTS

6,025,917 A * 2/2000 Toyonaga et al. 356/364

1 Claim, 8 Drawing Sheets



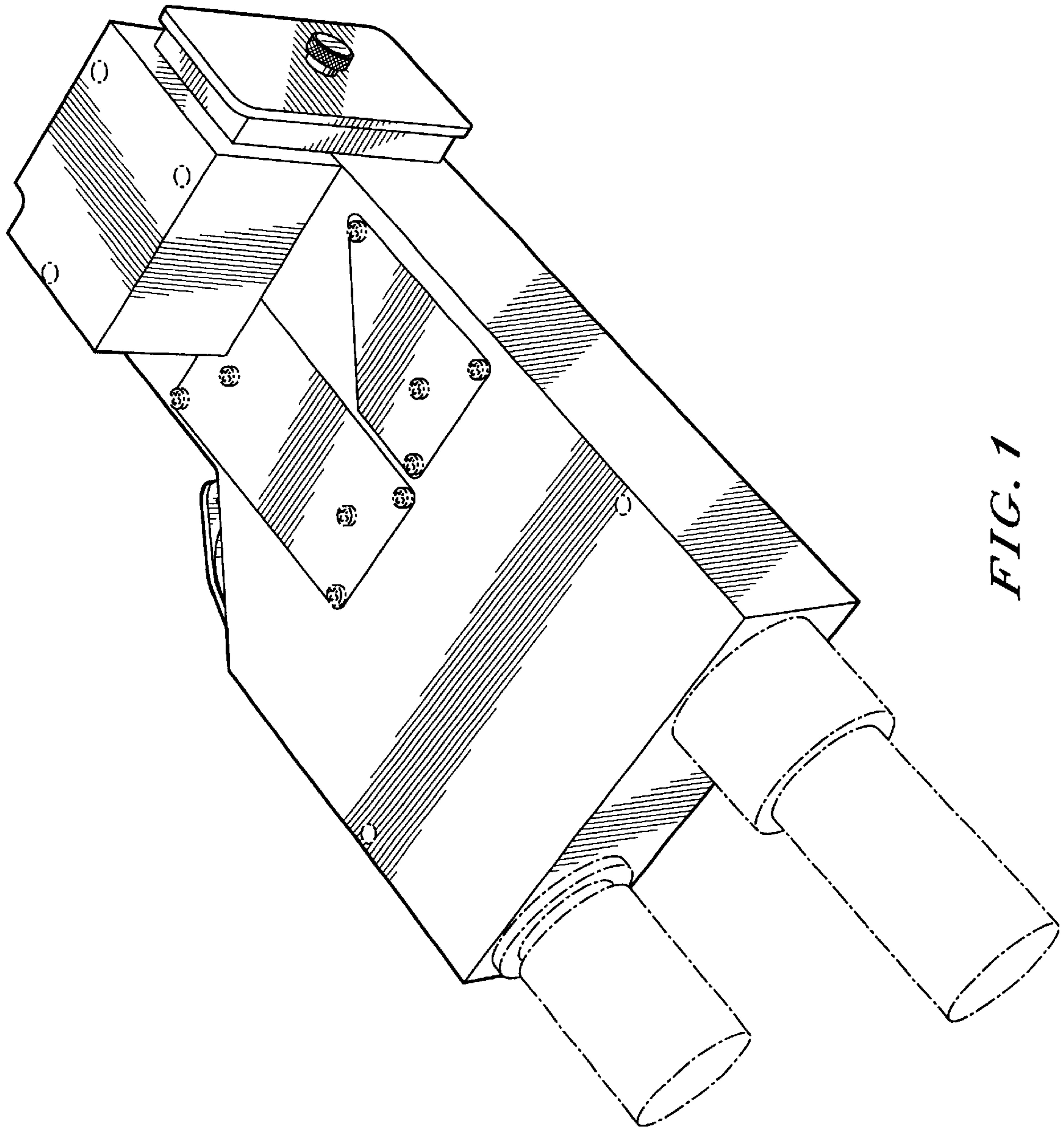


FIG. 1

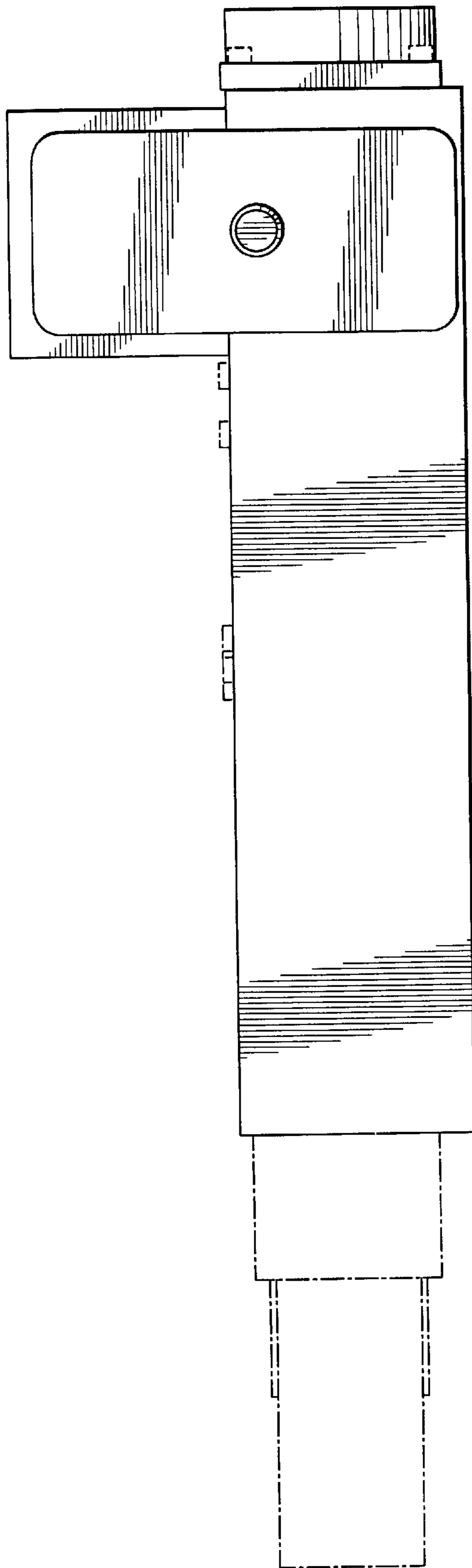


FIG. 2

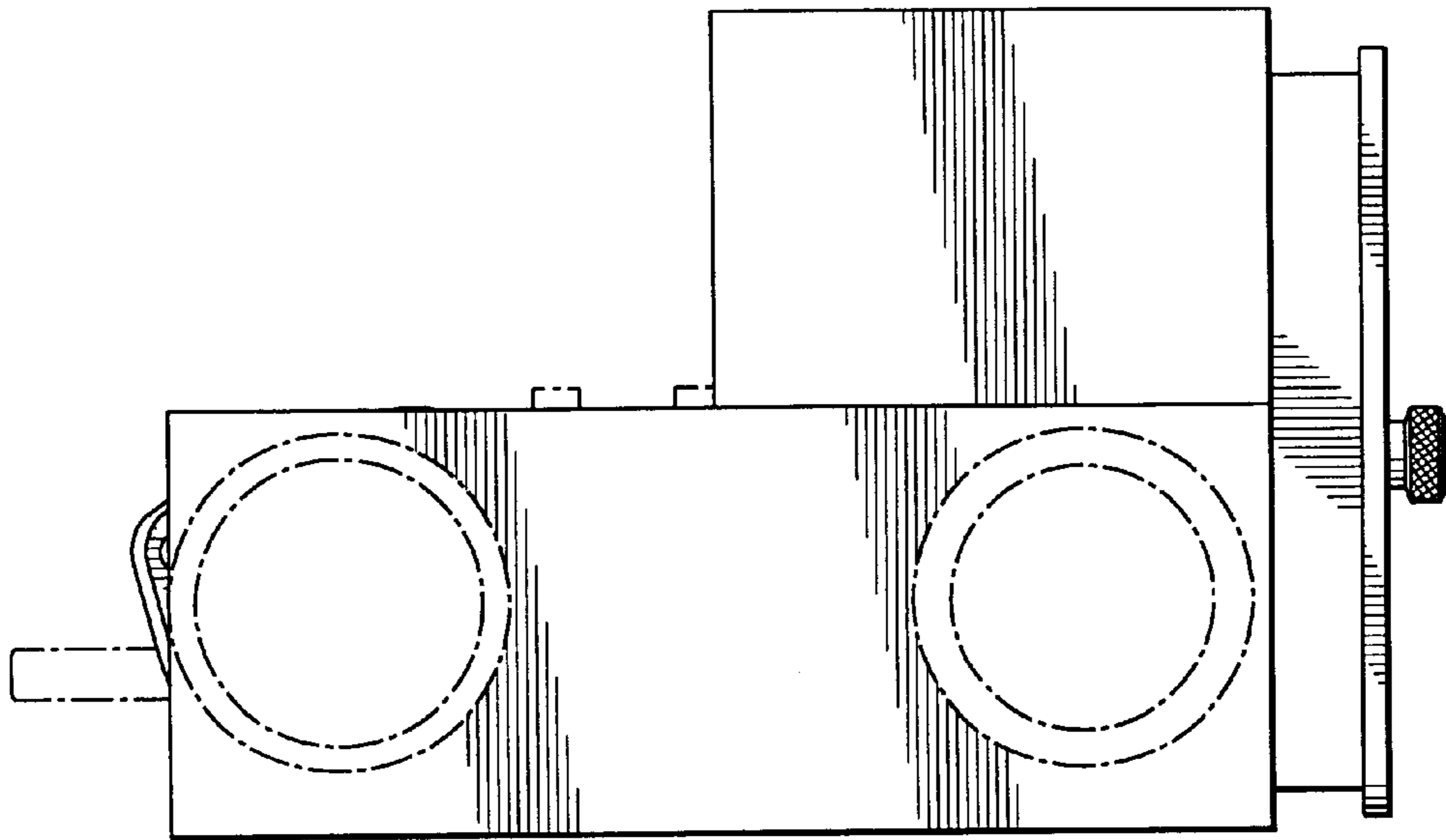


FIG. 3

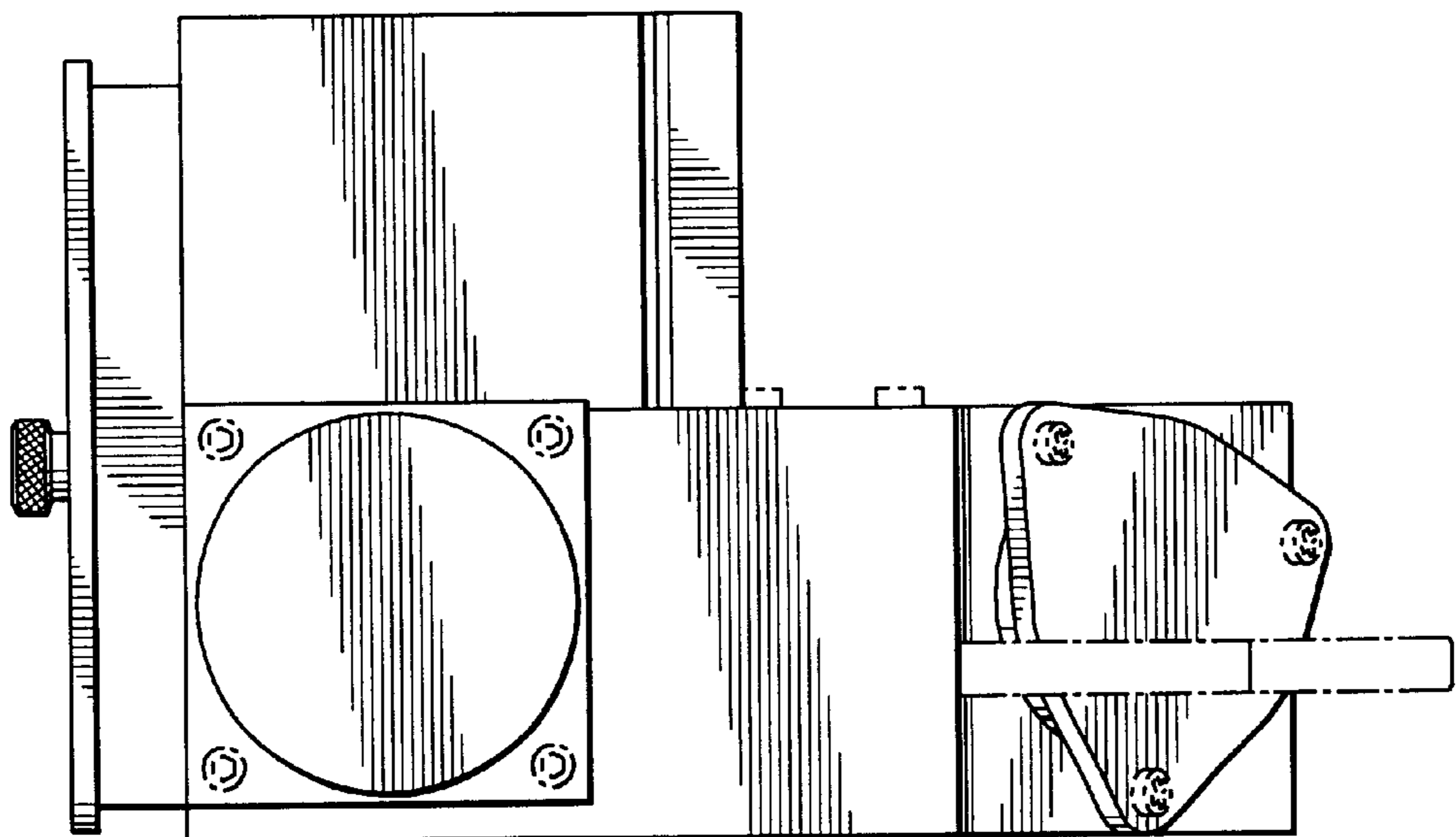


FIG. 4

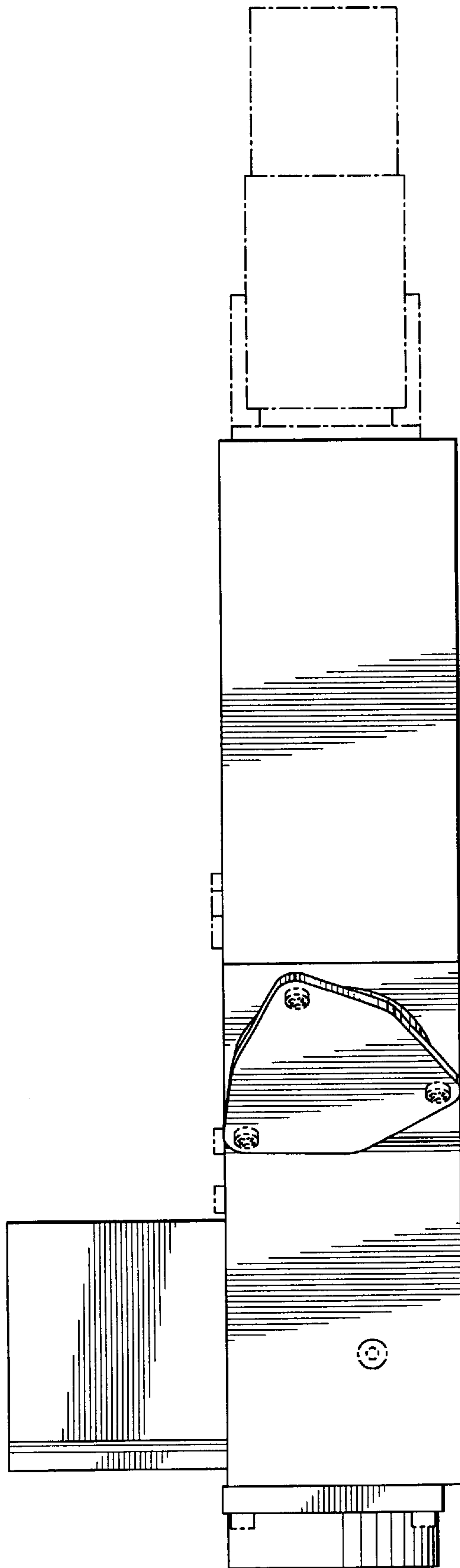


FIG. 5

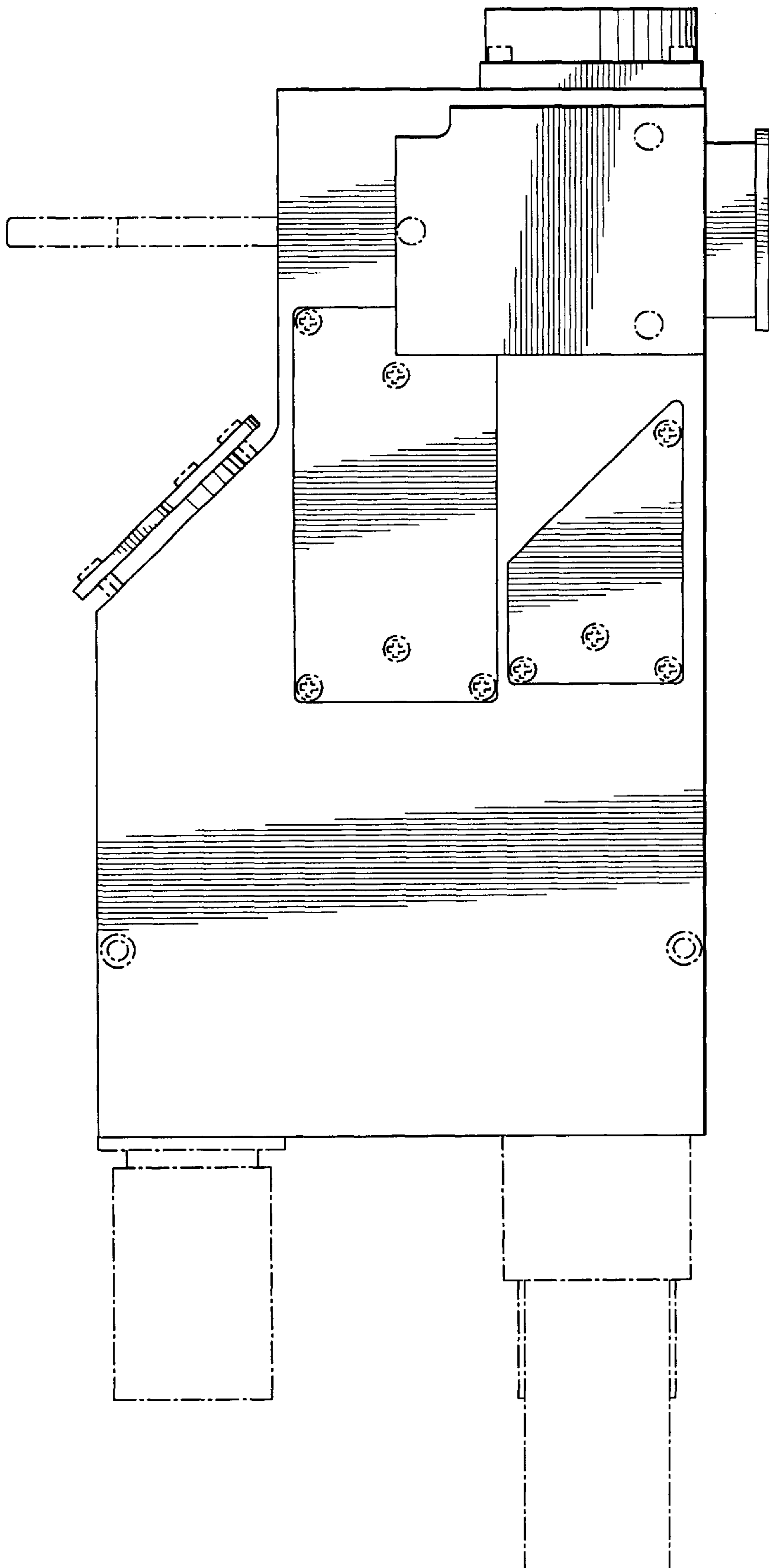


FIG. 6

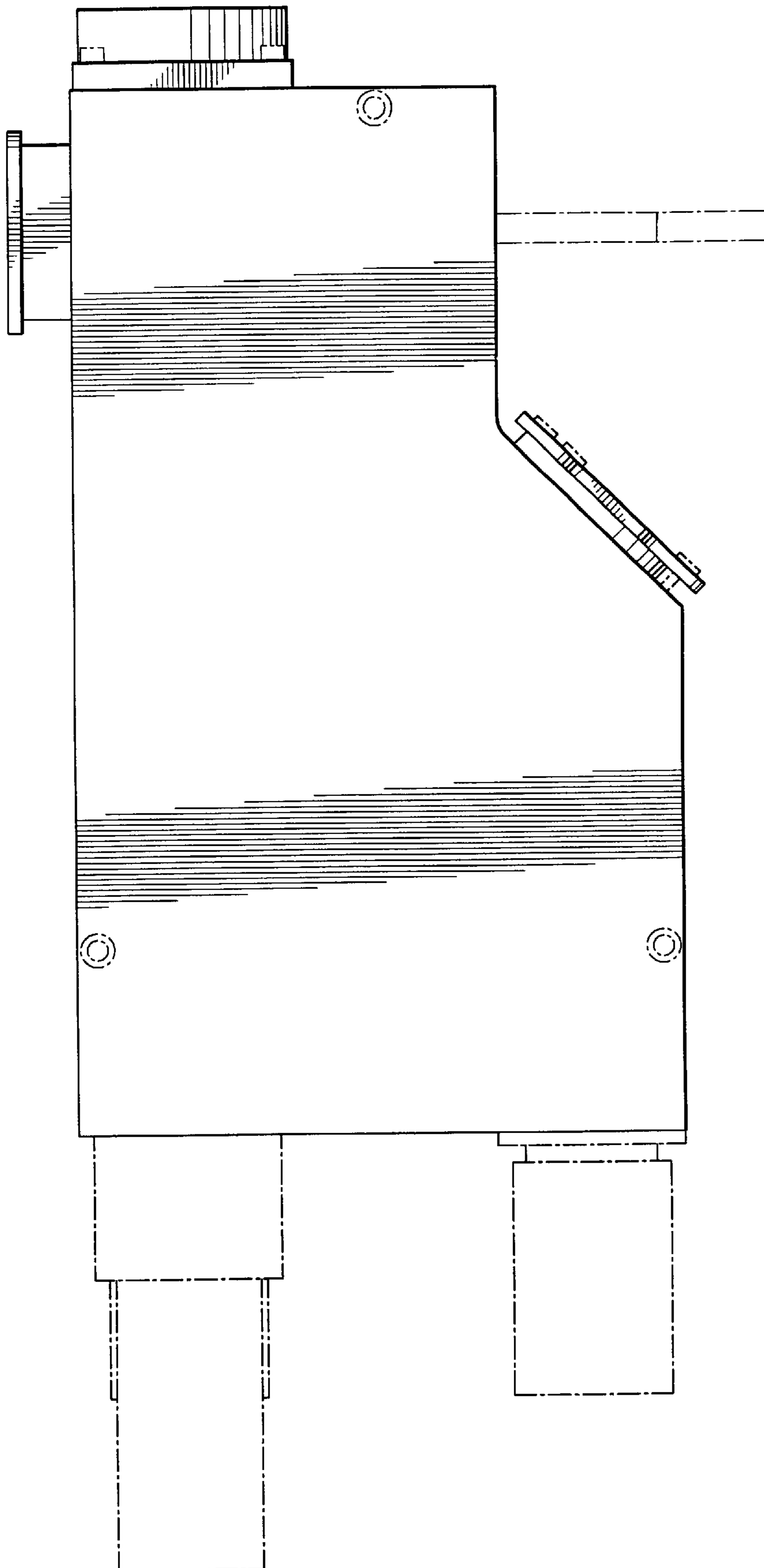


FIG. 7

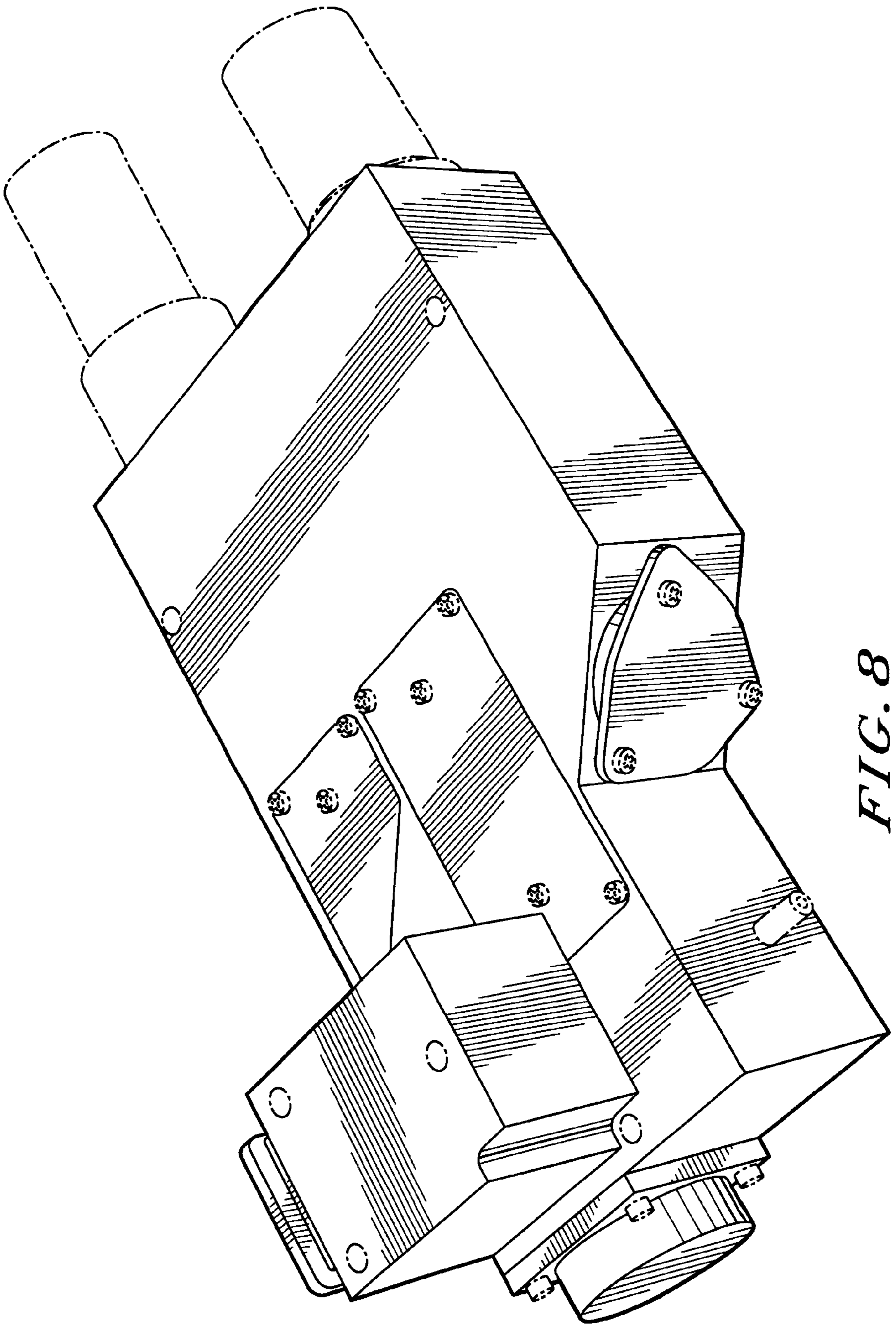


FIG. 8

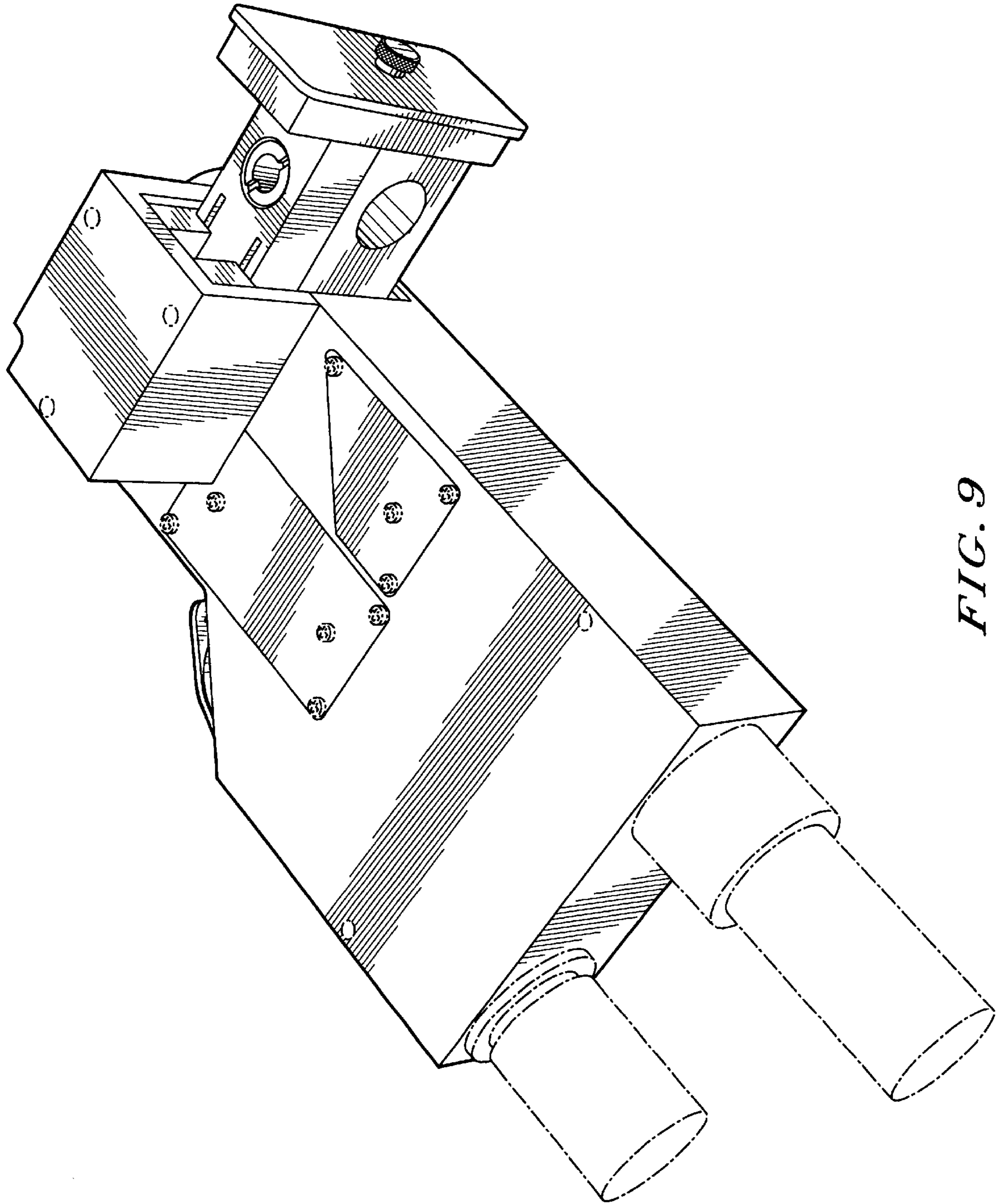


FIG. 9