



US00D457079S

(12) **United States Design Patent**
Armke, II

(10) **Patent No.:** **US D457,079 S**

(45) **Date of Patent:** **** May 14, 2002**

(54) **THERMOMETER**

(75) Inventor: **Kenneth W. Armke, II**, Wilmington,
NC (US)

(73) Assignee: **Koch Measurement Devices, Inc.**,
Wilmington, NC (US)

(**) Term: **14 Years**

(21) Appl. No.: **29/146,412**

(22) Filed: **Aug. 8, 2001**

(51) **LOC (7) Cl.** **10-04**

(52) **U.S. Cl.** **D10/57**

(58) **Field of Search** D10/57; 374/208,
374/161; 248/309.1

(56) **References Cited**

U.S. PATENT DOCUMENTS

D395,406 S * 6/1998 Bartosch D10/57

D421,228 S * 2/2000 Friedrichs D10/57

* cited by examiner

Primary Examiner—Antoine Duval Davis

(74) *Attorney, Agent, or Firm*—MacCord Mason PLLC

(57) **CLAIM**

The ornamental design for a thermometer, as shown and described.

DESCRIPTION

FIG. 1 is a front view of the standing embodiment.
FIG. 2 is a back view of the standing embodiment.
FIG. 3 is a left side view of the standing embodiment.
FIG. 4 is a right side view of the standing embodiment.
FIG. 5 is a top view of the standing embodiment.
FIG. 6 is a bottom view of the standing embodiment.
FIG. 7 is a front view of the hanging embodiment.
FIG. 8 is a back view of the hanging embodiment.
FIG. 9 is a left side view of the hanging embodiment.
FIG. 10 is a right side view of the hanging embodiment.
FIG. 11 is a top view of the hanging embodiment; and,
FIG. 12 is a bottom view of the hanging embodiment.

1 Claim, 6 Drawing Sheets

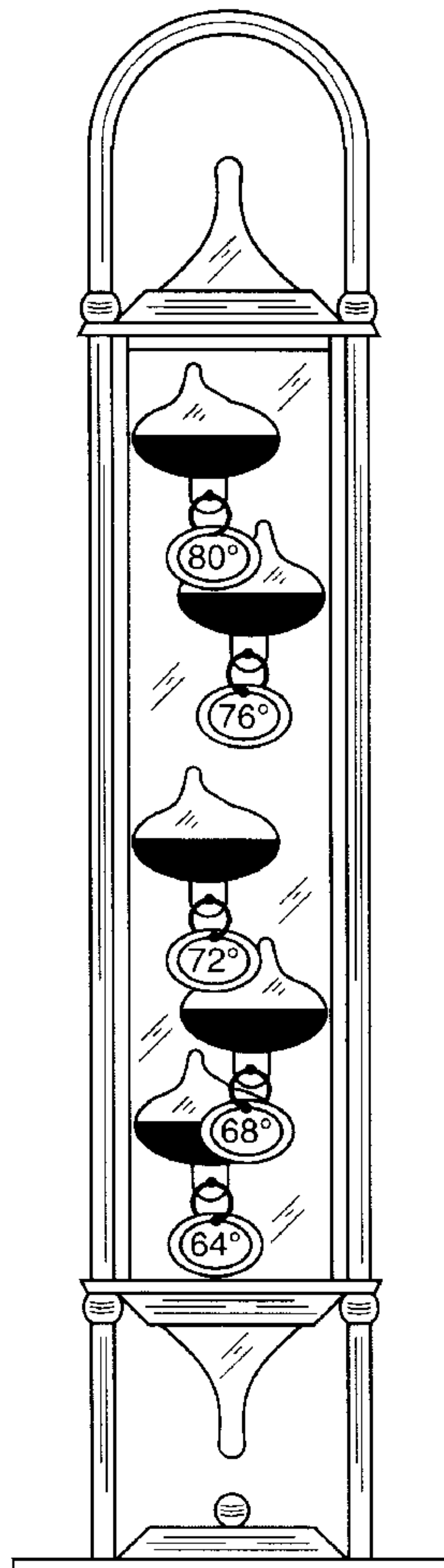


Fig. 1

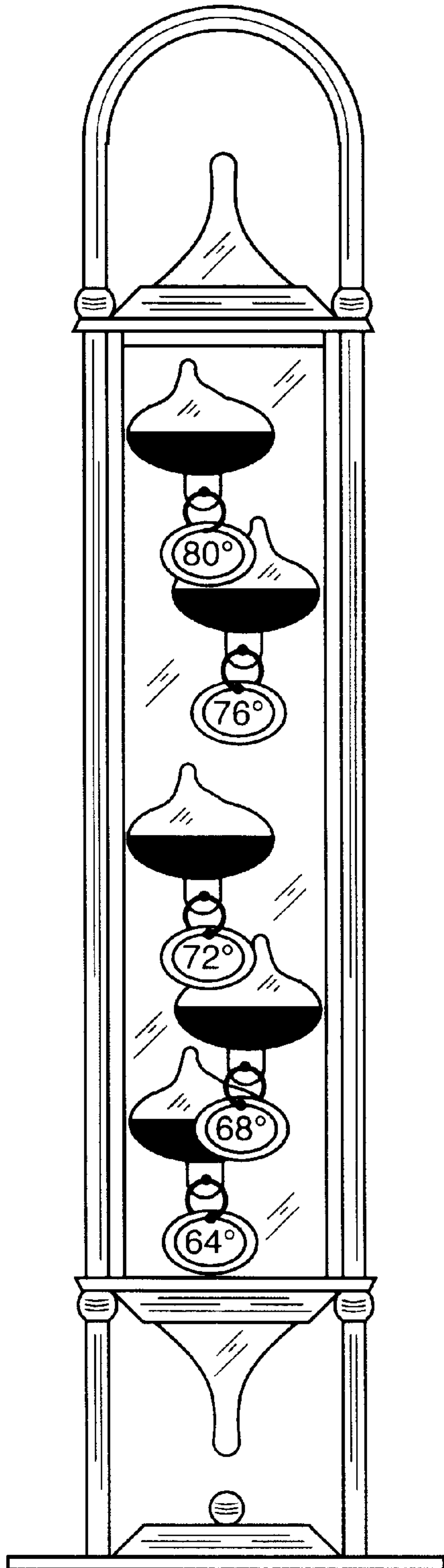


Fig. 2

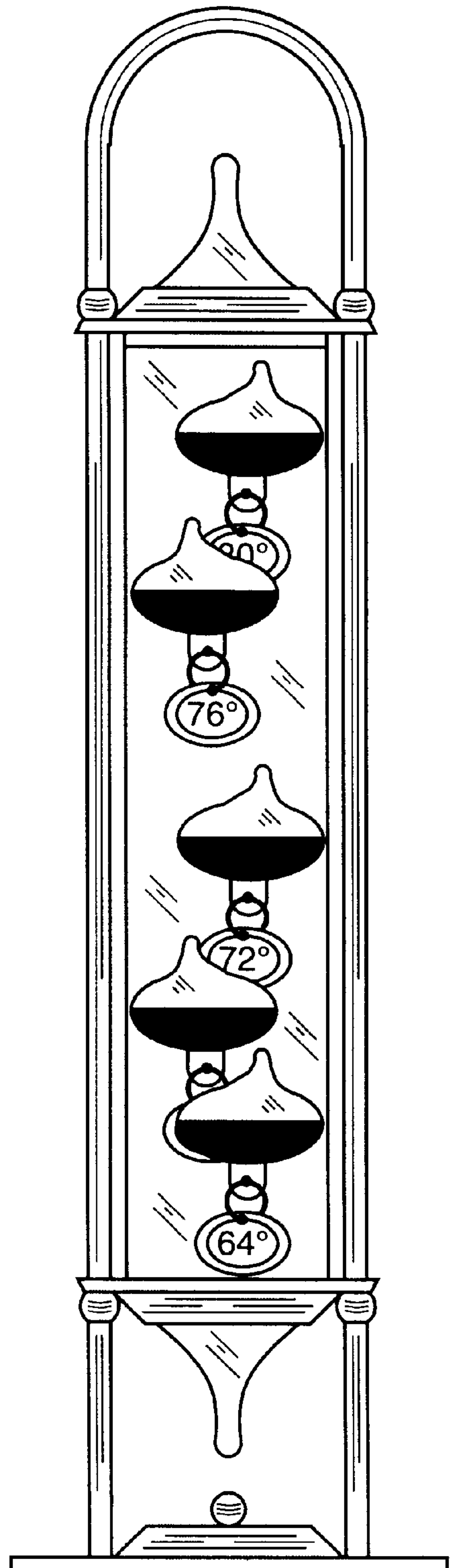


Fig. 3

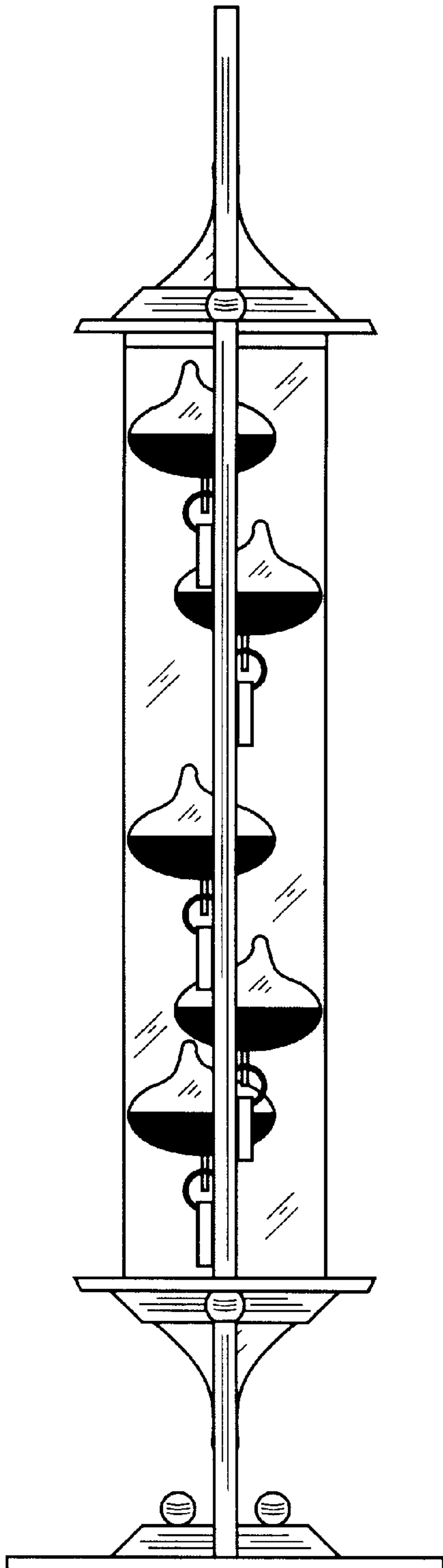


Fig. 4

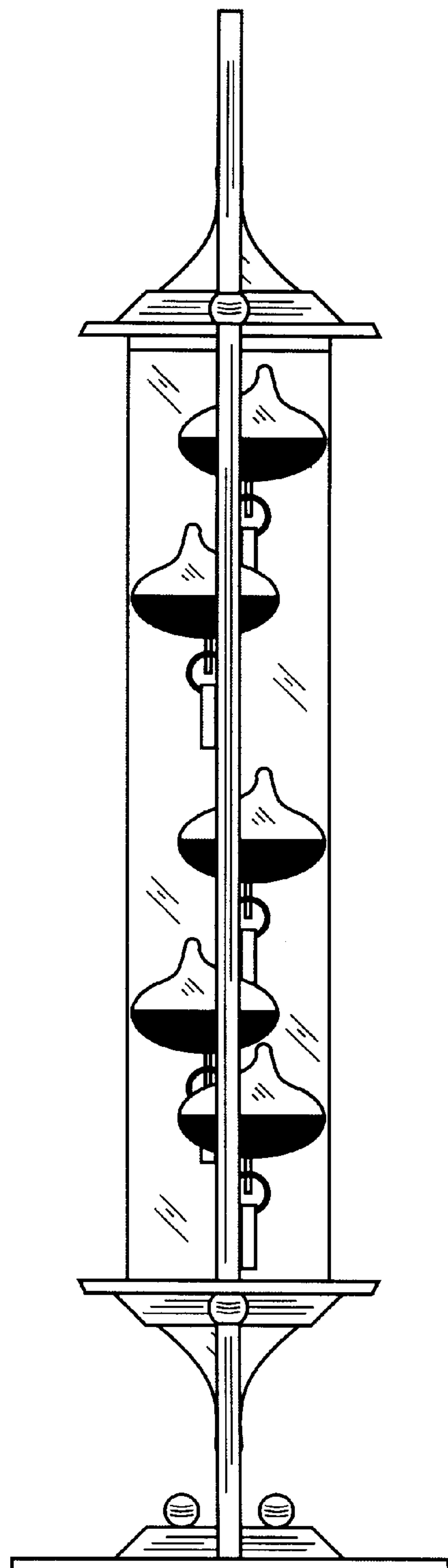


Fig. 5

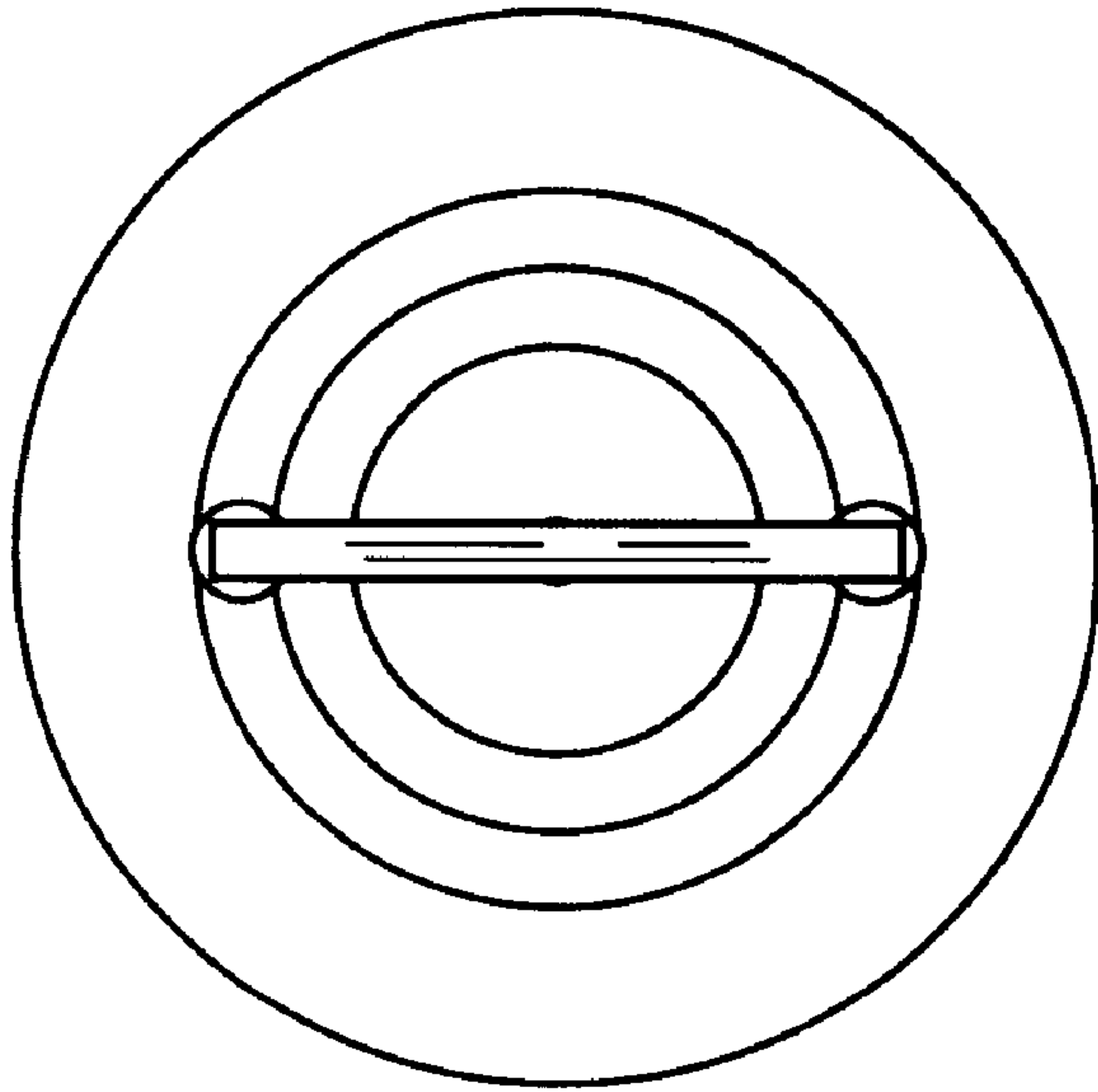


Fig. 6

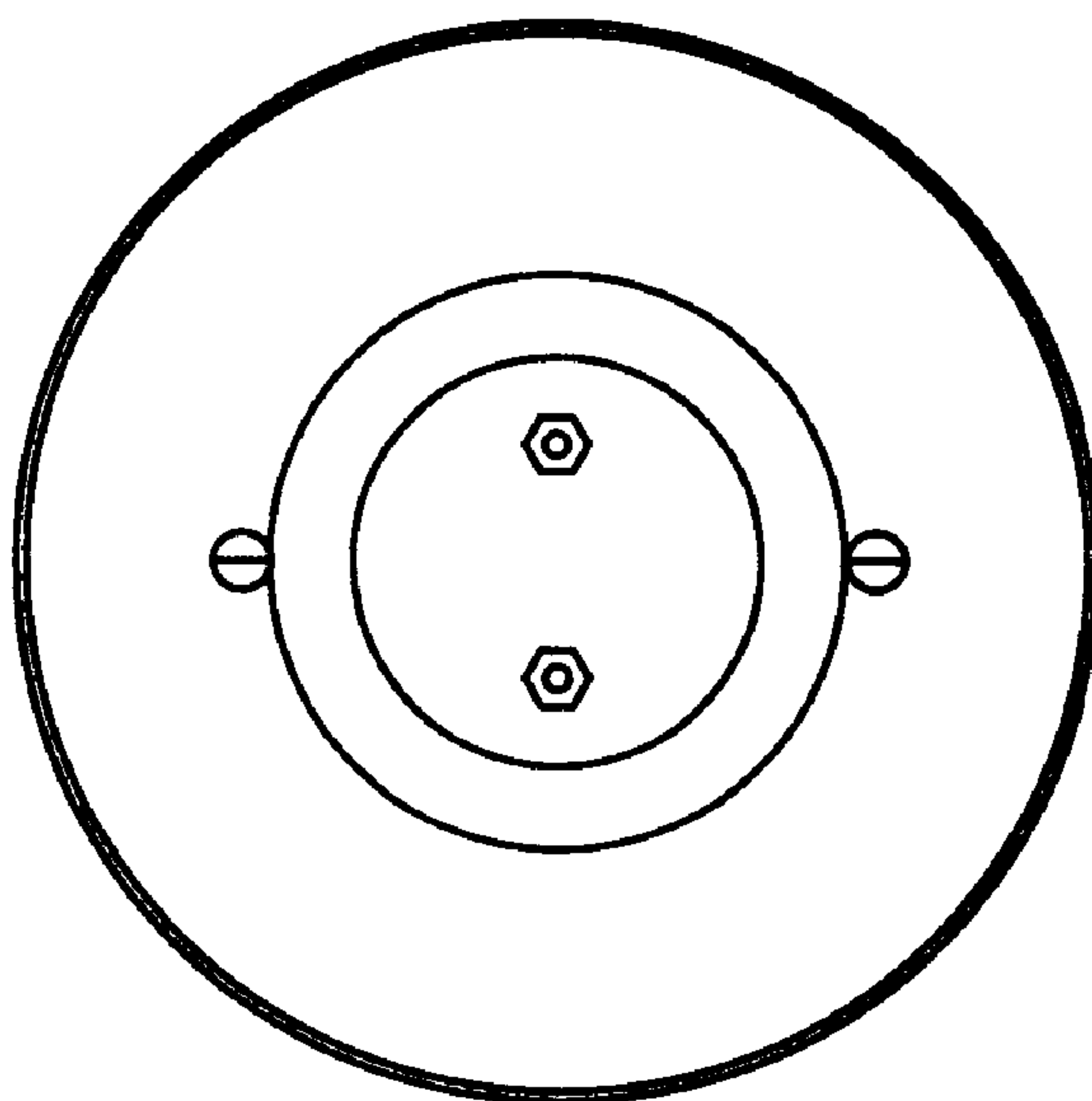


Fig. 7

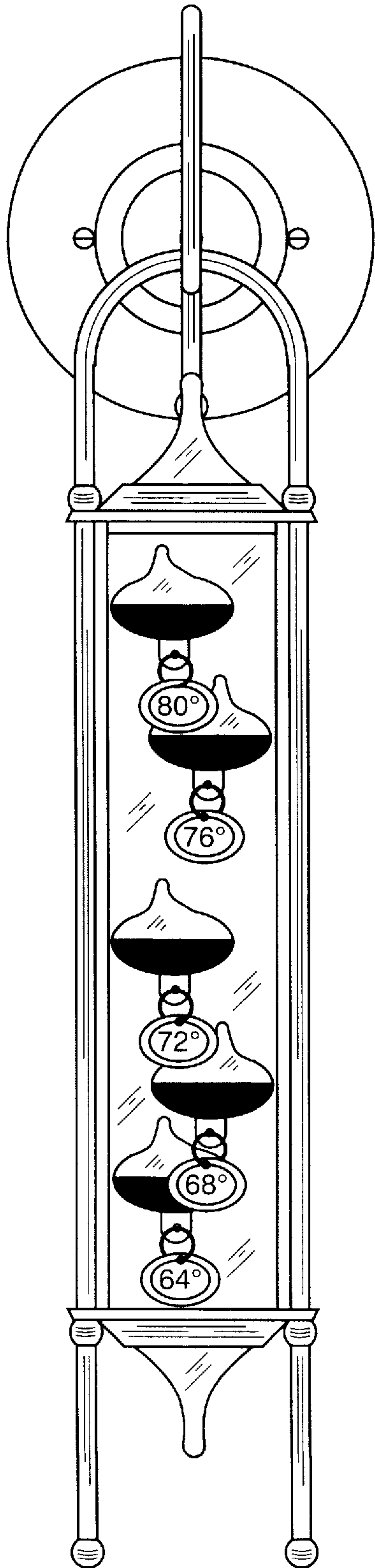


Fig. 8

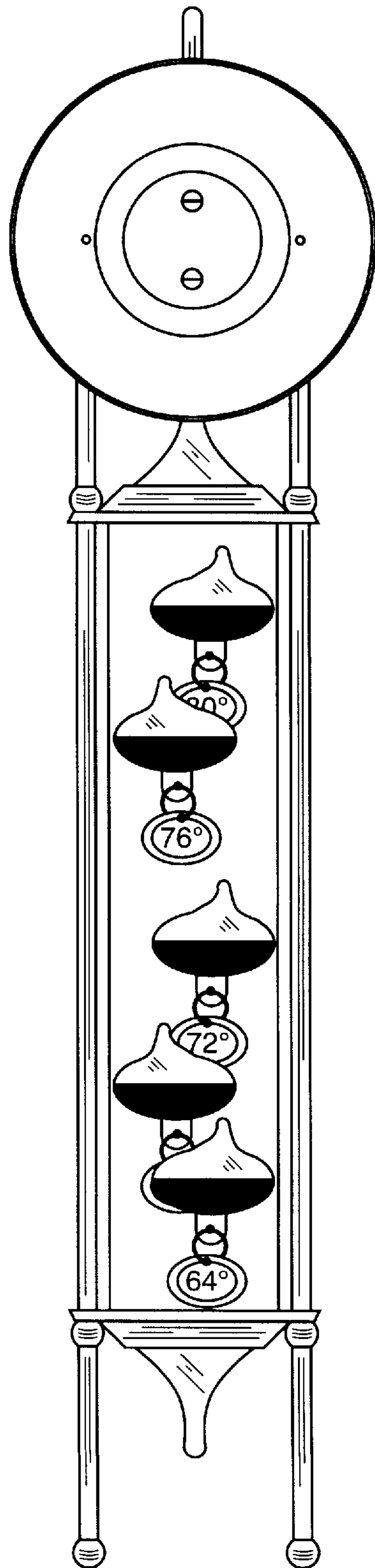


Fig. 9

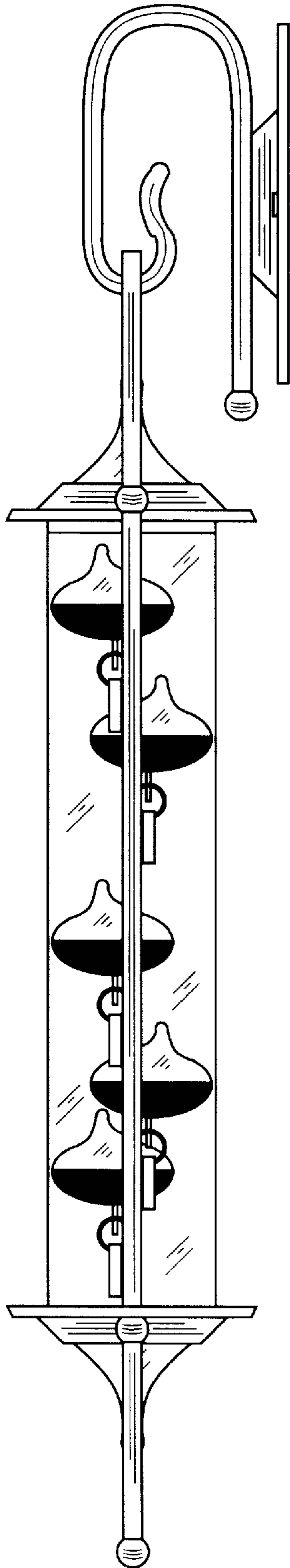


Fig. 10

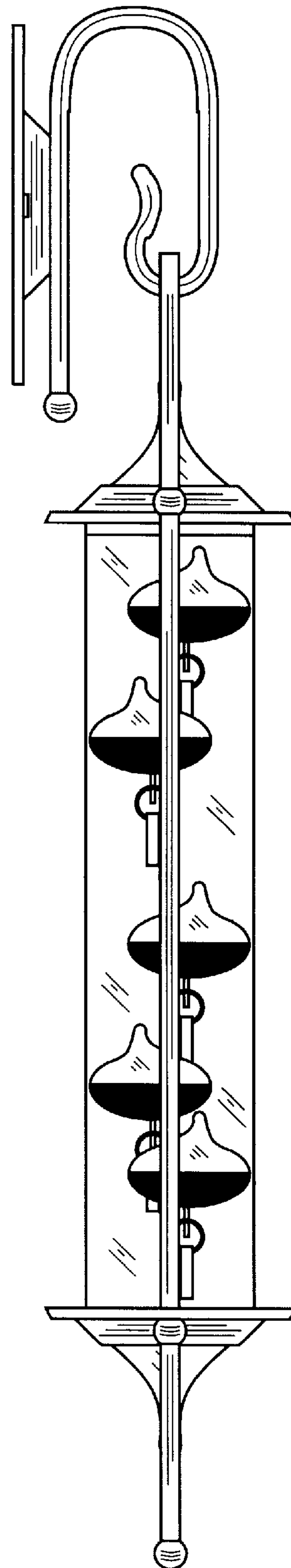


Fig. 11

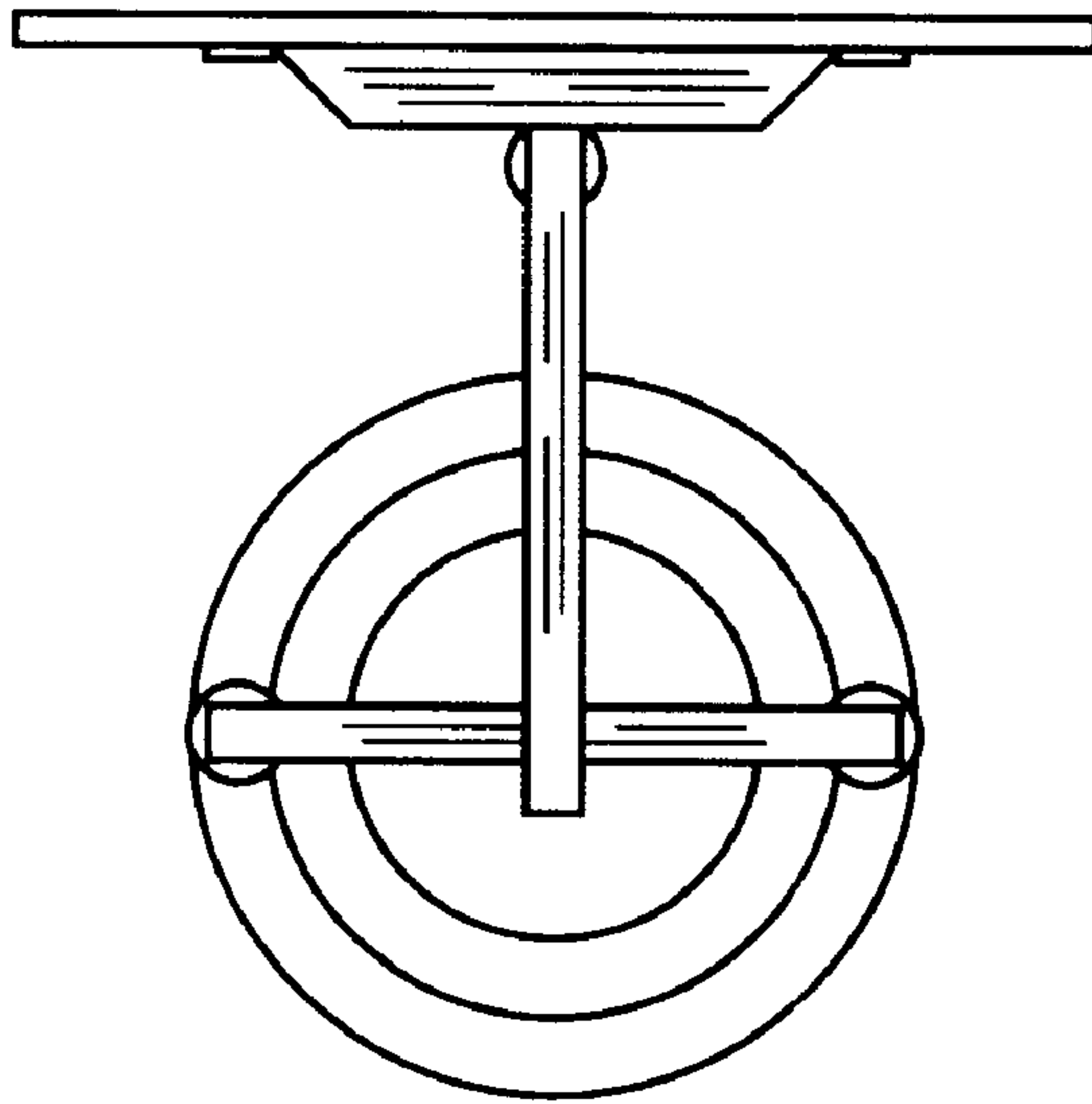


Fig. 12

