



US00D457075S

(12) **United States Design Patent**
Tschumy

(10) **Patent No.:** **US D457,075 S**

(45) **Date of Patent:** **** May 14, 2002**

(54) **CASING FOR A WATCH**

(75) Inventor: **Antoine Tschumy**, La Chaux-de-Fonds
(CH)

(73) Assignee: **Timex Group B.V.** (NL)

(**) Term: **14 Years**

(21) Appl. No.: **29/141,664**

(22) Filed: **May 10, 2001**

(51) **LOC (7) Cl.** **10-02**

(52) **U.S. Cl.** **D10/30**

(58) **Field of Search** D10/1-39, 122-132;
368/276-277, 285, 281-282; D11/3-25;
63/1.11, 3, 5, 11

(56) **References Cited**

U.S. PATENT DOCUMENTS

2,293,940	A	*	8/1942	Jahr et al.	D10/32	X
D261,731	S	*	11/1981	Yamagami et al.	D10/30	
D270,430	S	*	9/1983	Fukuoka	D10/39	
D277,461	S	*	2/1985	Berger	D10/39	

D326,615	S	*	6/1992	Sather	D10/30	
D401,515	S	*	11/1998	Yida	D10/39	
D408,302	S	*	4/1999	Yida	D10/33	
D435,458	S	*	12/2000	Lewis et al.	D10/30	

* cited by examiner

Primary Examiner—Nelson C. Holtje

(74) *Attorney, Agent, or Firm*—Carmody & Torrance LLP

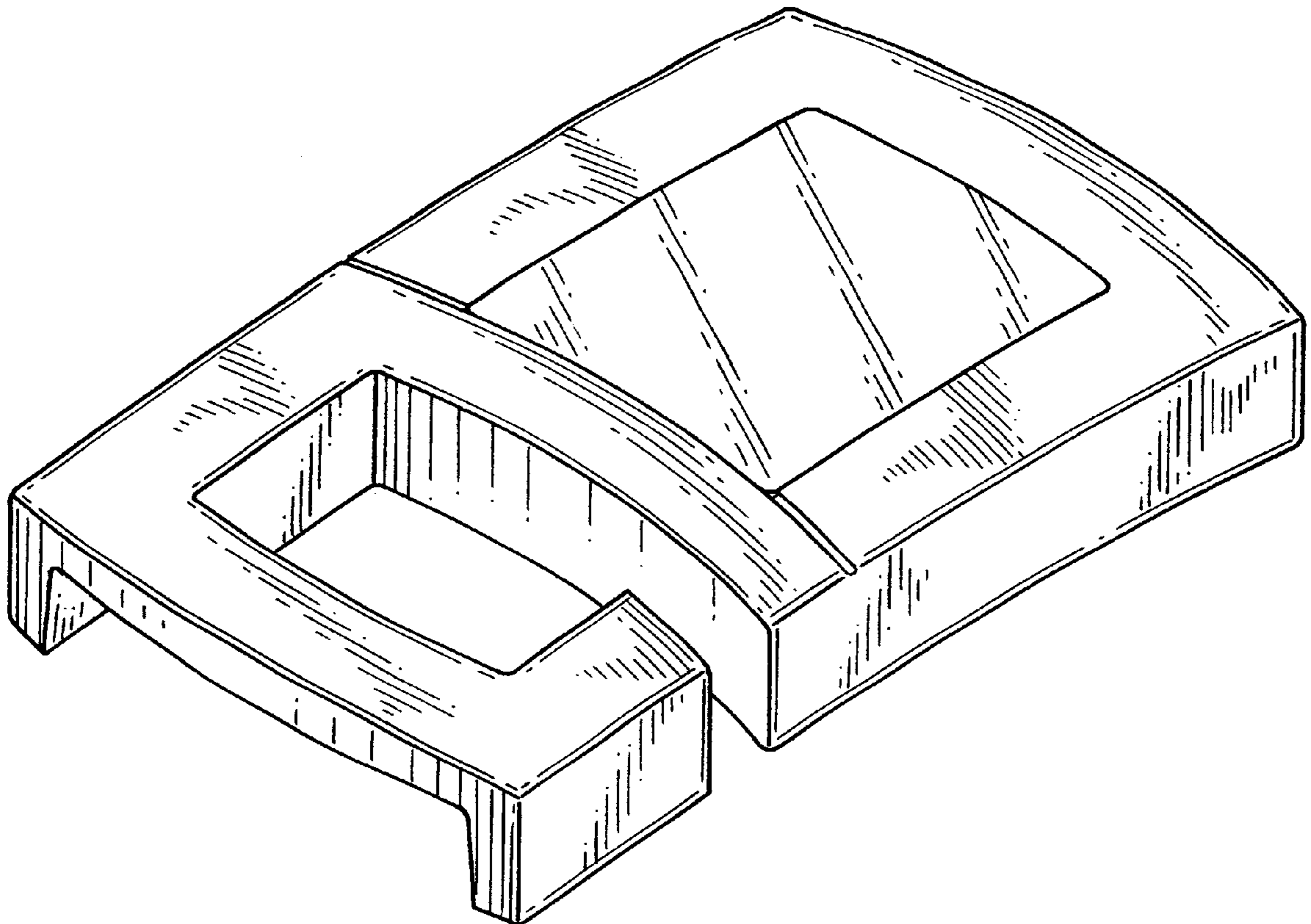
(57) **CLAIM**

The ornamental design for a casing for a watch, as shown and described.

DESCRIPTION

FIG. 1 is a perspective view of a casing for a watch showing my new design;
 FIG. 2 is a left side elevational view thereof;
 FIG. 3 is a top plan view thereof;
 FIG. 4 is a right side elevational view thereof;
 FIG. 5 is a first end elevational view thereof;
 FIG. 6 is a second end elevational view thereof; and,
 FIG. 7 is a bottom plan view.

1 Claim, 2 Drawing Sheets



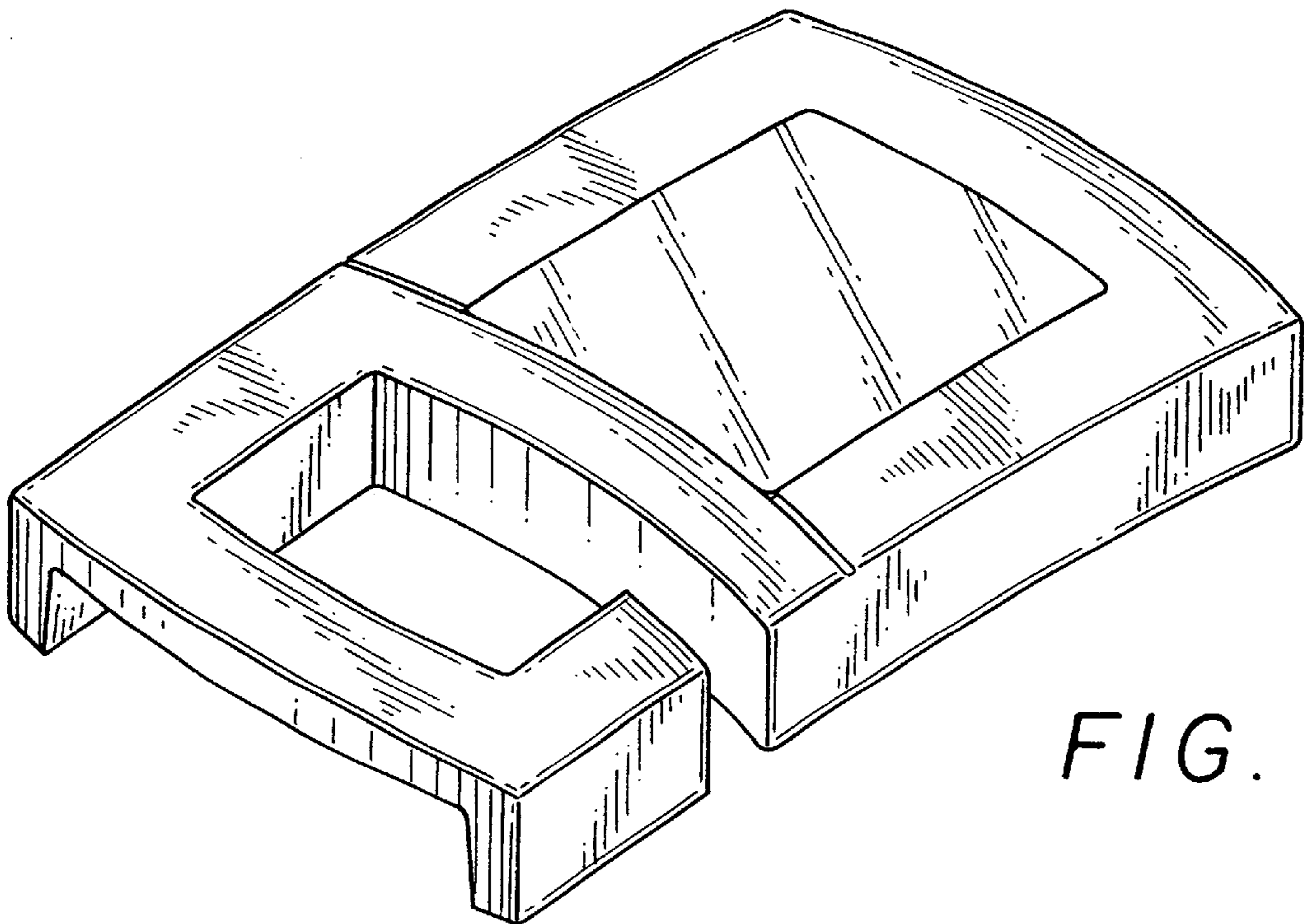


FIG. 1

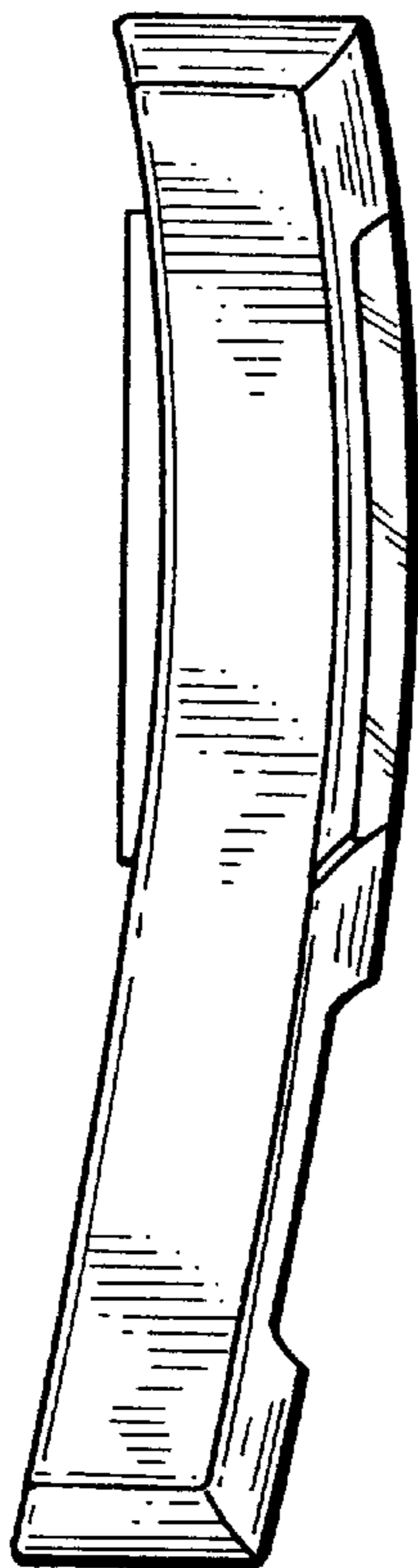


FIG. 2

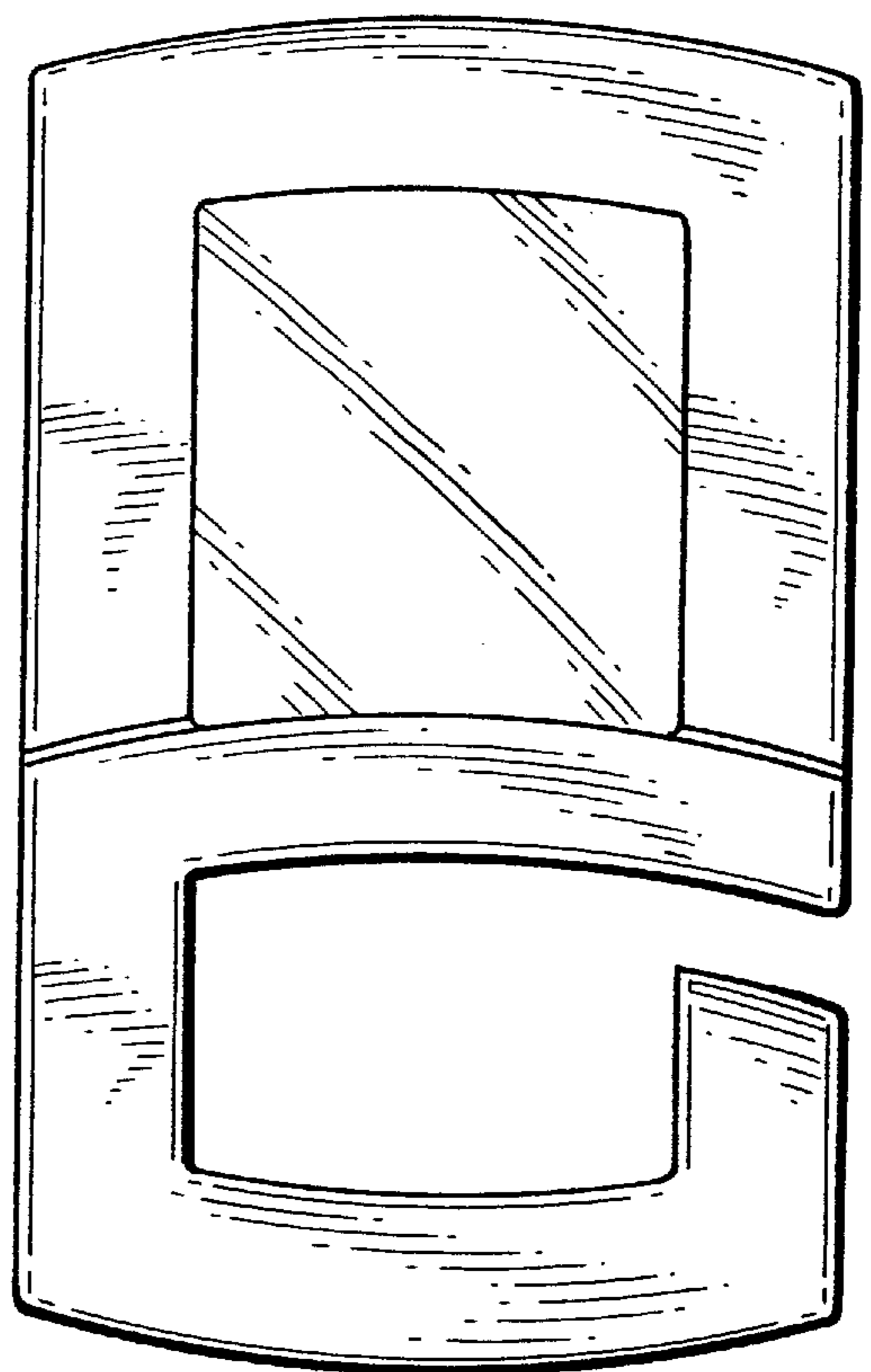


FIG. 3

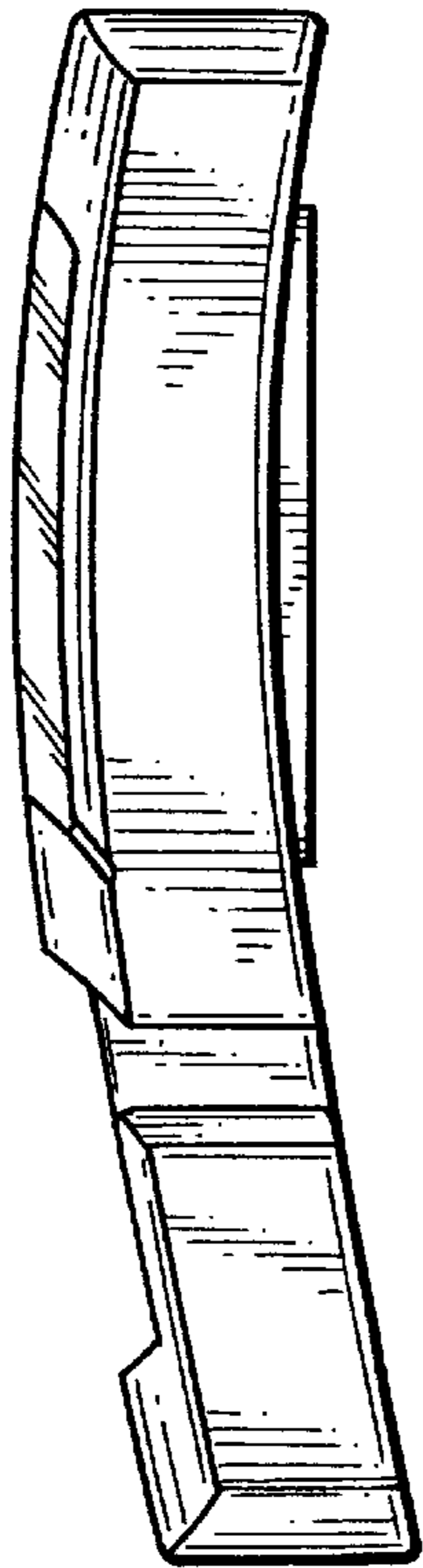


FIG. 4

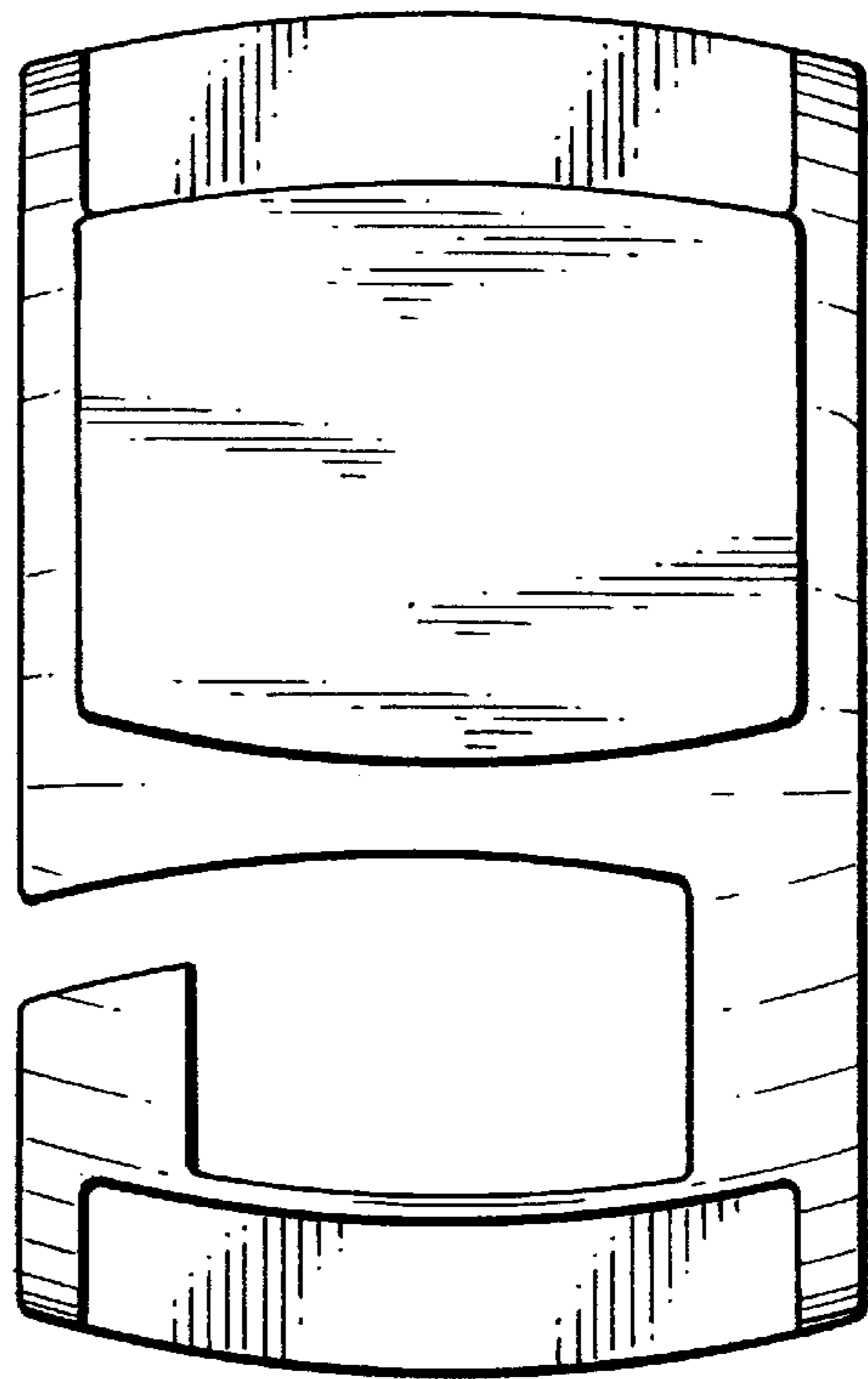


FIG. 7



FIG. 5

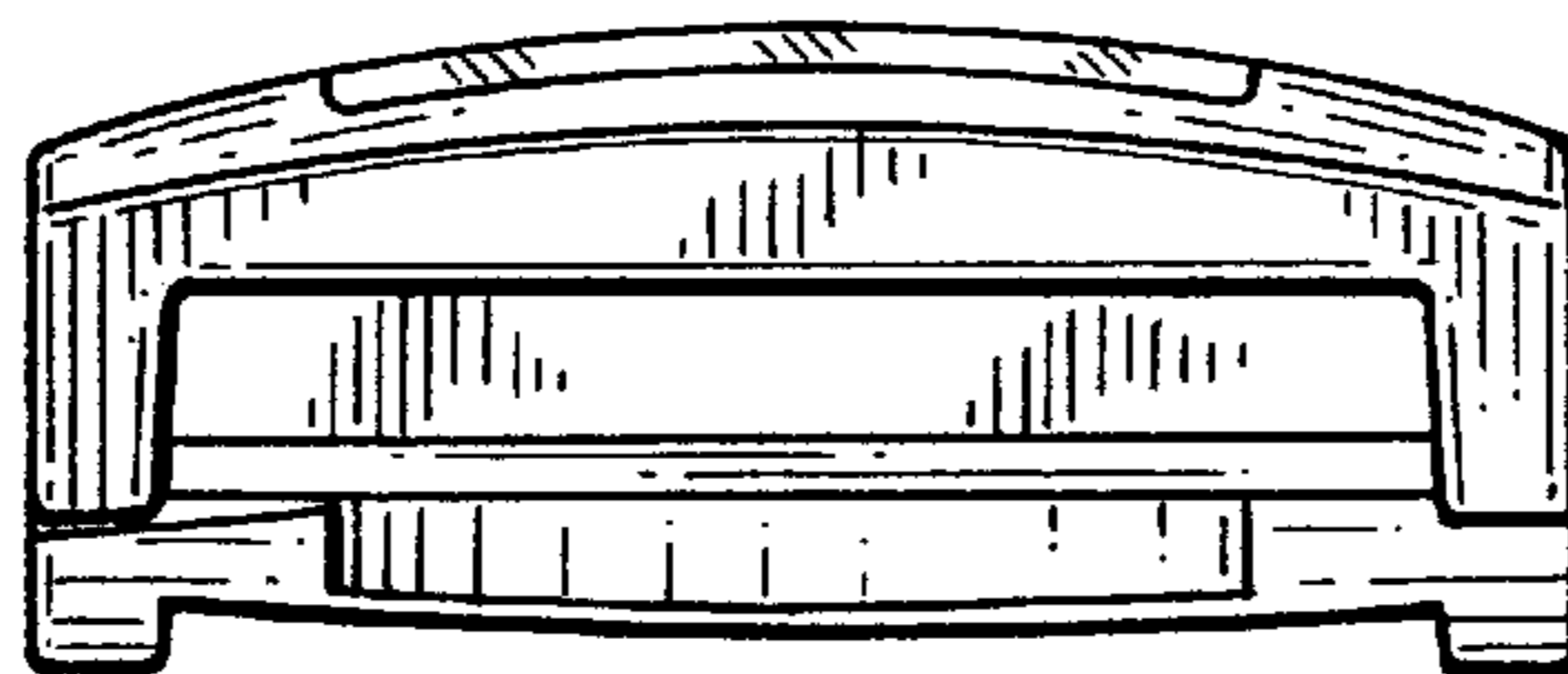


FIG. 6