



US00D457074S

(12) **United States Design Patent**
Berri et al.

(10) **Patent No.:** **US D457,074 S**
(45) **Date of Patent:** **** May 14, 2002**

(54) **WRISTWATCH**

(75) Inventors: **Michelle Berri**, Lamboing (CH);
Steven J. Zazuri, Jr., Monroe, CT
(US)
(73) Assignee: **Swiss Army Brands, Inc.**, Shelton, CT
(US)
(**) Term: **14 Years**

(21) Appl. No.: **29/138,870**
(22) Filed: **Mar. 21, 2001**

(51) **LOC (7) Cl.** **10-02**
(52) **U.S. Cl.** **D10/30**
(58) **Field of Search** D10/30-39, 122-132;
368/281-282, 276-277, 285

(56) **References Cited**

U.S. PATENT DOCUMENTS

D326,233 S	5/1992	Burgener	D10/39
D334,715 S	* 4/1993	Besson	D10/39
D339,990 S	10/1993	Polenberg	D10/39
D359,002 S	6/1995	Polenberg	D10/39
D361,277 S	* 8/1995	Riley	D10/30
D362,633 S	* 9/1995	Bertolucci	D10/32
D383,398 S	* 9/1997	Kennedy	D10/30
D400,804 S	* 11/1998	Riley et al.	D10/30
D430,809 S	9/2000	Polenberg	D10/39

OTHER PUBLICATIONS

“Officer’s®” Watch, Model 24205, Swiss Army Brands, Inc.
“Original Series 2000 Red” Watch, Model 24221, Swiss Army Brands, Inc.
Swiss Watch & Jewelry Journal, Feb. 1989, p. 354.
Jeweler’s Circular Keystone, Oct. 1985, p. 125.
Hong Kong Enterprise, Nov. 1987, p. 338.
European Jeweler, Apr. 1983, p. 188.

* cited by examiner

Primary Examiner—Nelson C. Holtje

(74) *Attorney, Agent, or Firm*—Pennie & Edmonds LLP

(57) **CLAIM**

The ornamental design for a wristwatch, as shown and described.

DESCRIPTION

FIG. 1 is a top, right, and front perspective view of an ornamental design for a wristwatch according to the present invention;

FIG. 2 is a top plan view thereof;

FIG. 3 is a front elevational view thereof;

FIG. 4 is a right side elevational view thereof;

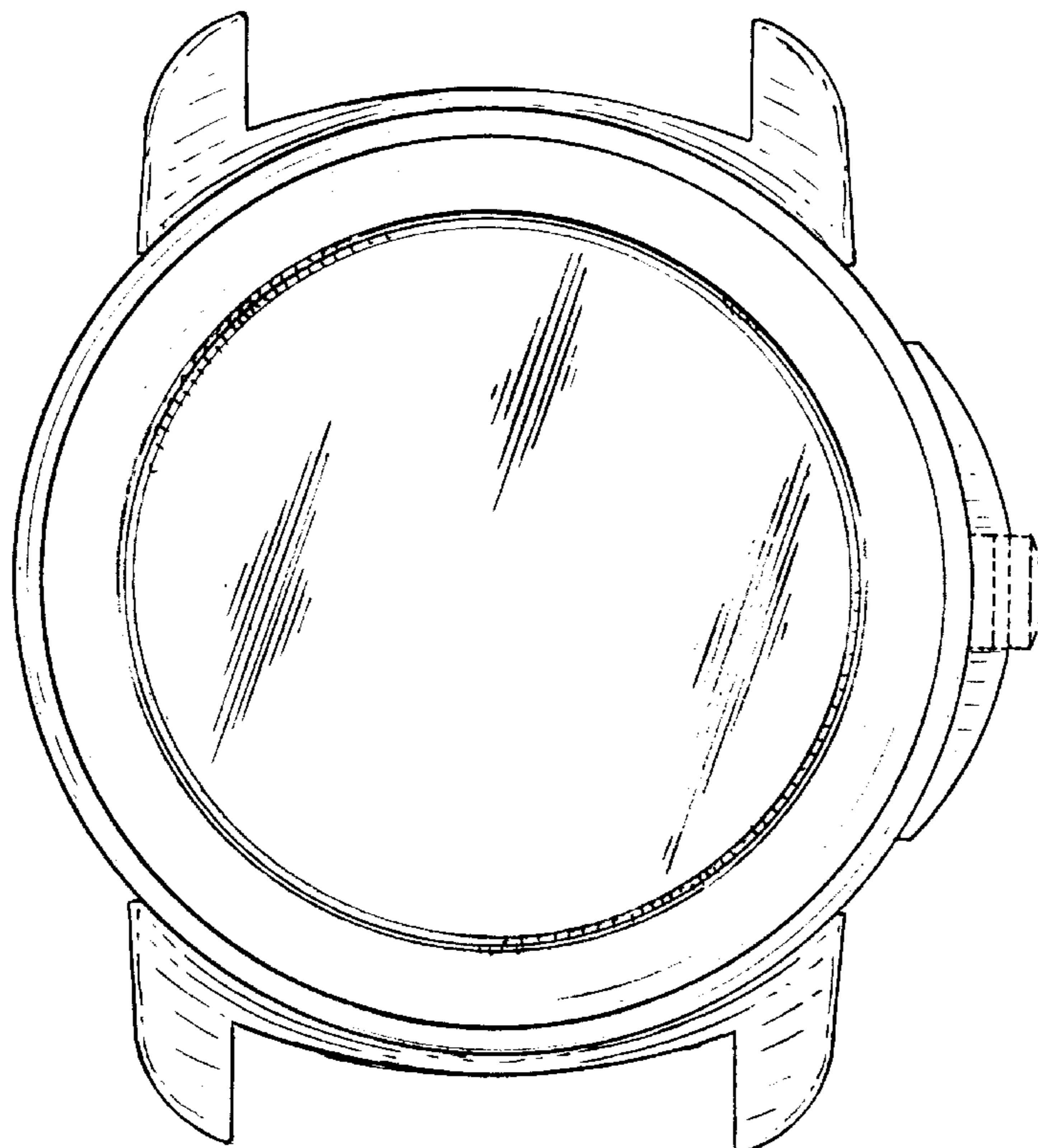
FIG. 5 is a rear elevational view thereof;

FIG. 6 is a left side elevational view thereof; and,

FIG. 7 is a bottom plan view thereof.

All portions shown in broken lines are environmental and illustrative only and form no part of the claimed design.

1 Claim, 4 Drawing Sheets



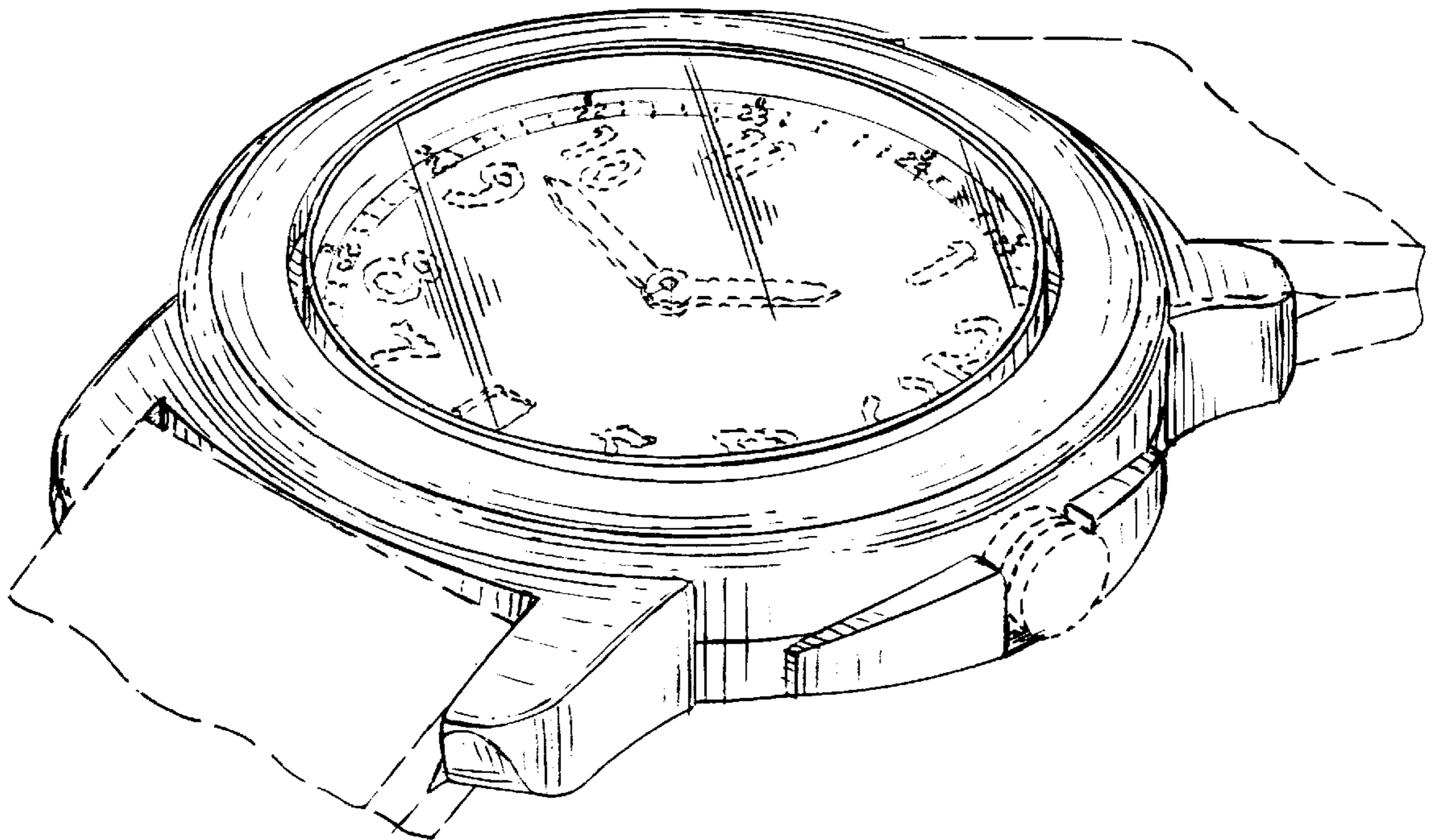


FIG. 1

FIG. 2

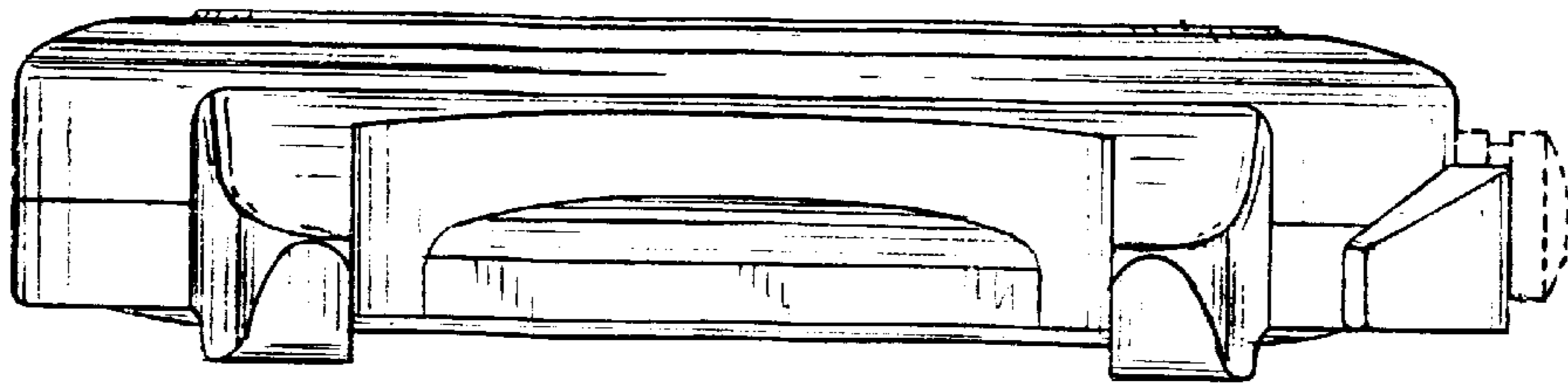
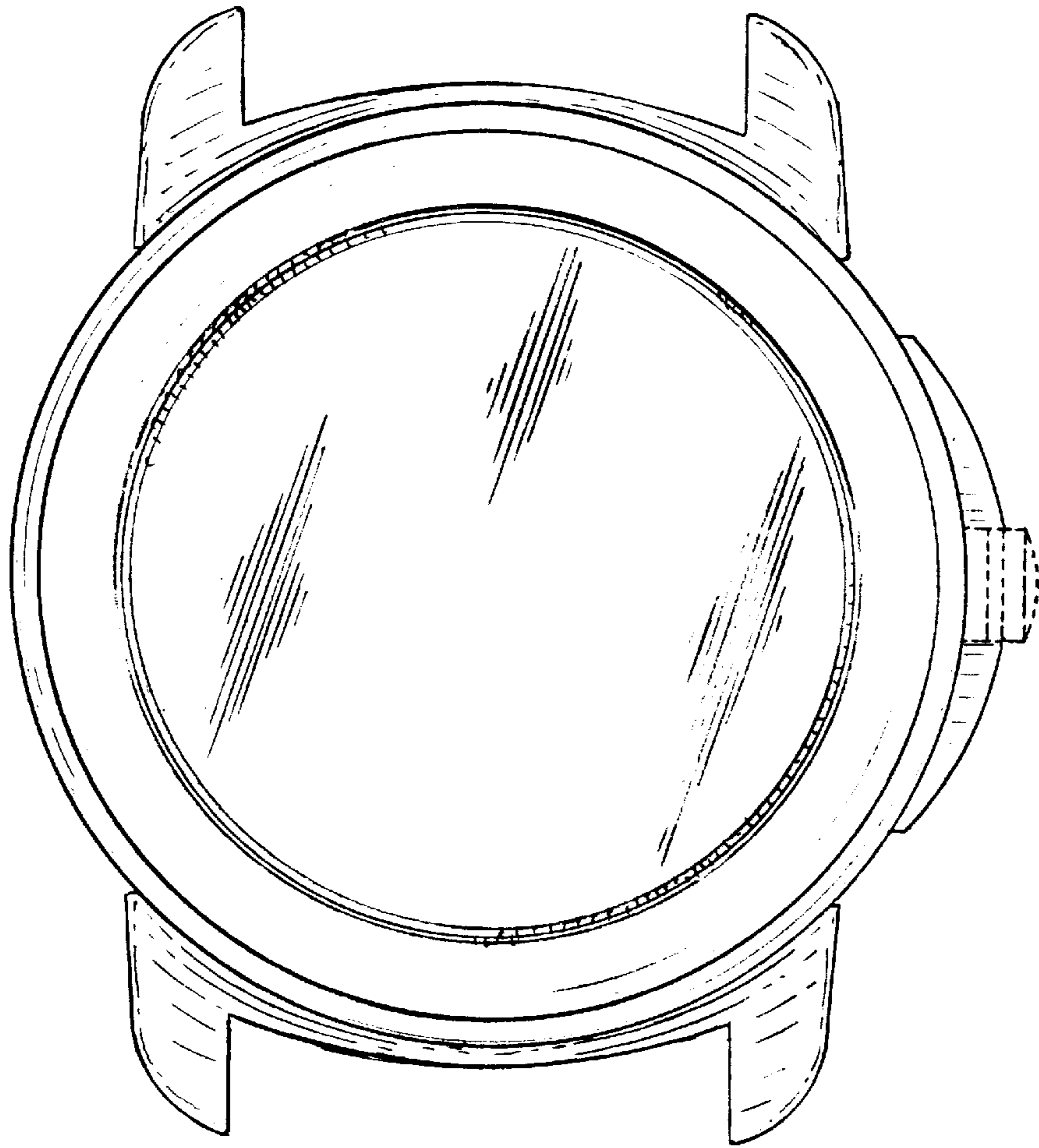


FIG. 3

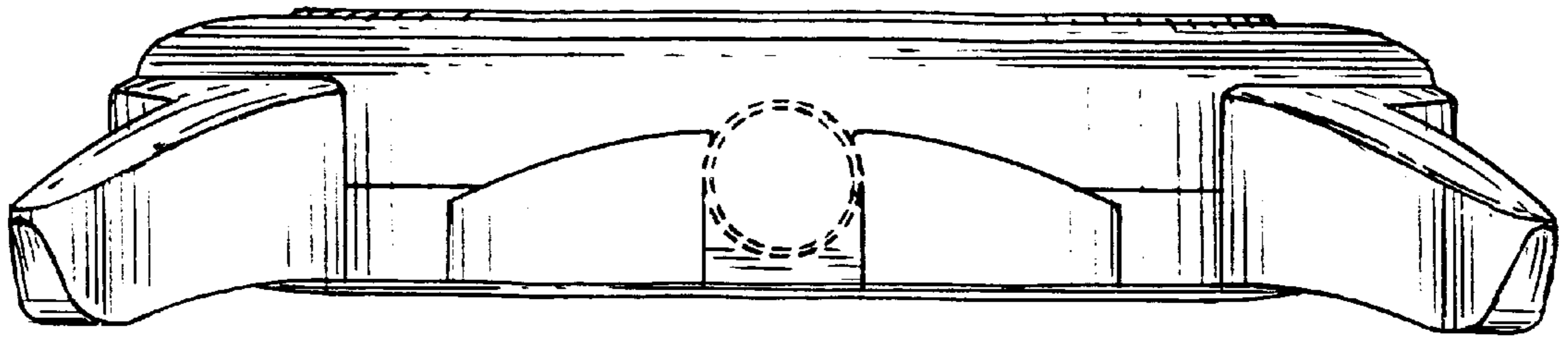


FIG. 4

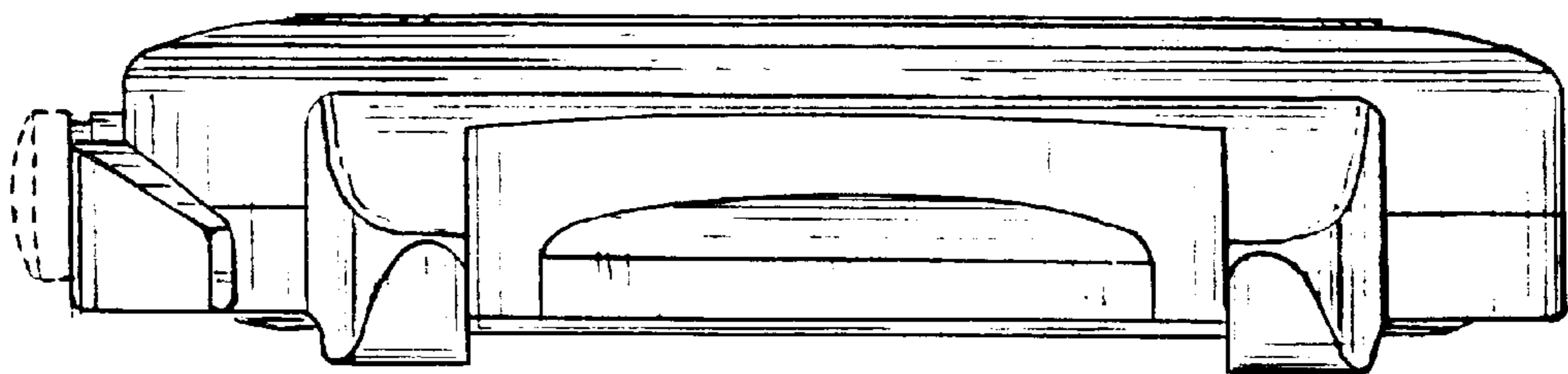


FIG. 5

FIG. 6

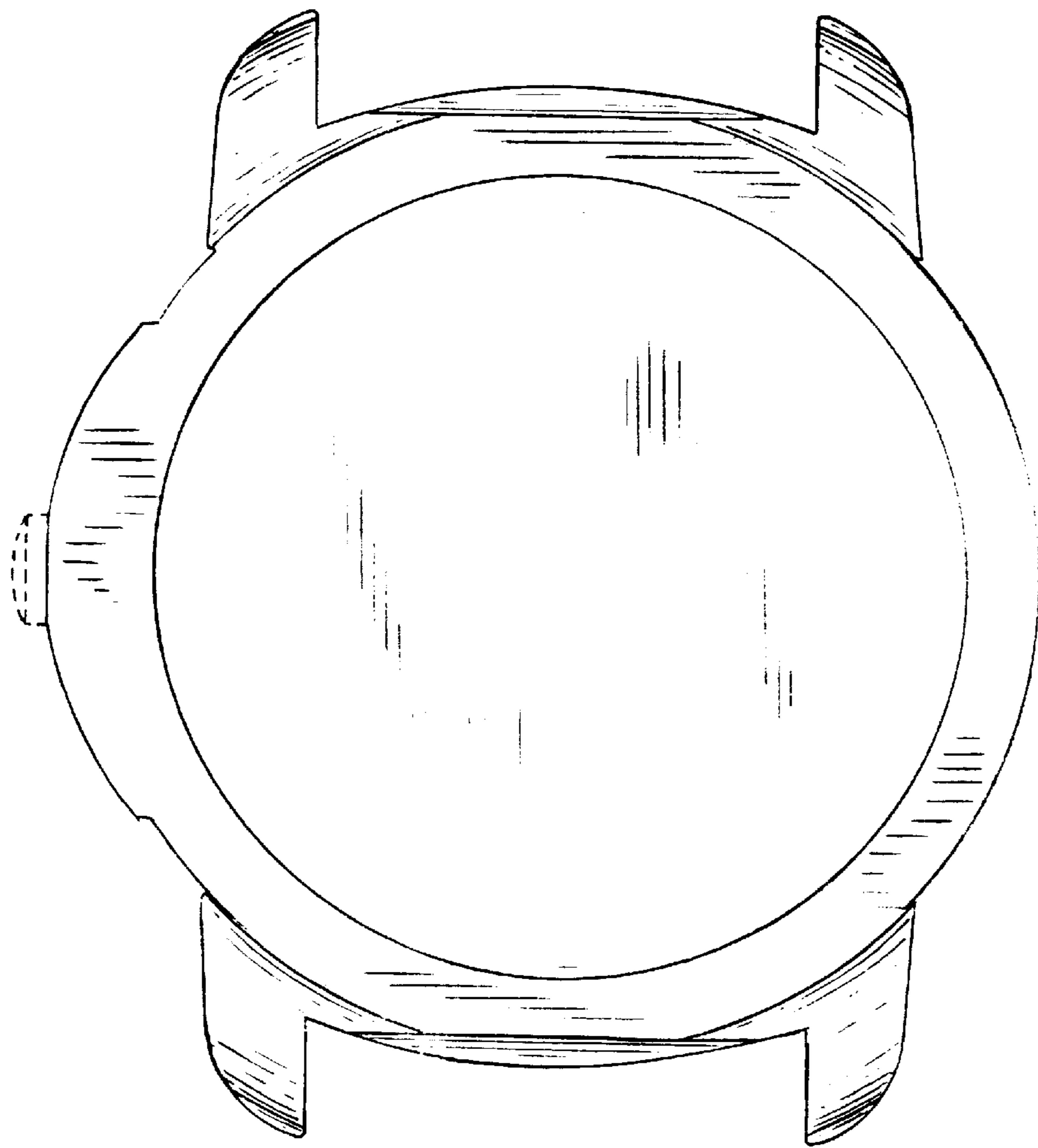
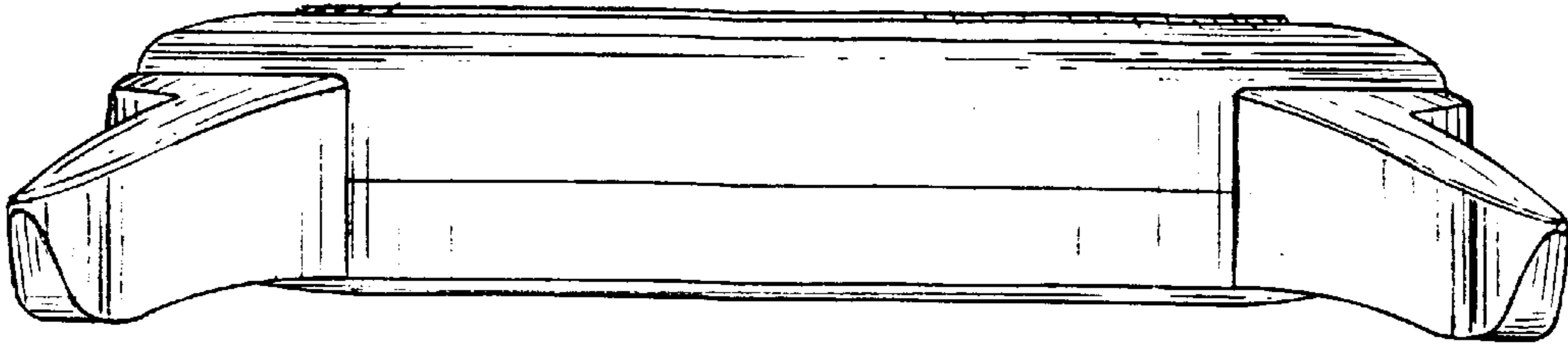


FIG. 7