



US00D457065S

(12) **United States Design Patent**
Krishnakumar et al.

(10) **Patent No.:** **US D457,065 S**
(45) **Date of Patent:** **** May 14, 2002**

- (54) **BOTTLE**
- (75) Inventors: **Suppayan M. Krishnakumar**, Nashua, NH (US); **Jeff Lichtman**, Evanston; **Jeffrey L. Pattee**, Palatine, both of IL (US); **David P. Piccioli**, Auburn, NH (US); **Christopher D. Rowe**, Barrington; **Tia-Maria Smith**, Chicago, both of IL (US)
- (73) Assignee: **Stokely-Van Camp, Inc.**, Chicago, IL (US)
- (**) Term: **14 Years**

D313,930 S	1/1991	Martin	
4,993,565 A	2/1991	Ota et al.	
5,002,199 A	3/1991	Frahm	
5,005,716 A	4/1991	Eberle	215/1 C
5,024,341 A	6/1991	Dekerle	215/11.1
D320,154 S	9/1991	Alberghini et al.	
5,064,081 A	11/1991	Hayashi et al.	215/1 C
5,141,120 A	8/1992	Brown et al.	
5,141,121 A	8/1992	Brown et al.	
5,178,289 A	1/1993	Krishnakumar et al.	215/1 C
5,178,290 A	1/1993	Ota et al.	
D334,342 S	3/1993	Thompson	D9/502
D335,084 S	4/1993	Snyder	D9/502
D344,457 S	2/1994	Prevot et al.	D9/537

(List continued on next page.)

- (21) Appl. No.: **29/085,979**
- (22) Filed: **Apr. 2, 1998**

FOREIGN PATENT DOCUMENTS

PH	5553	2/1993	D9/502
----	------	--------	-------	--------

Related U.S. Application Data

- (63) Continuation-in-part of application No. 29/078,543, filed on Oct. 28, 1997.
- (51) **LOC (7) Cl.** **09-01**
- (52) **U.S. Cl.** **D9/537**
- (58) **Field of Search** D9/520, 537, 540, D9/550, 551, 553, 570, 434, 516; 215/381, 383, 384

OTHER PUBLICATIONS

- Oct. 11, 1997, pictures of bottles (Exhibit A).
- Oct. 11, 1997, pictures of bottles (Exhibit B).
- Mar. 4, 1998, pictures of bottle (Exhibit C).

Primary Examiner—Dominic Simone
(74) *Attorney, Agent, or Firm*—Lars S. Johnson

(56) **References Cited**

U.S. PATENT DOCUMENTS

D64,152 S	3/1924	Sweeney	
D154,563 S	* 7/1949	Peters	D9/551
D214,158 S	5/1969	Pettengill	D9/100
D218,019 S	7/1970	Lattraye et al.	D9/73
D235,736 S	7/1975	Strand et al.	D9/111
D269,500 S	6/1983	Bit	D9/350
D294,117 S	2/1988	Rogler et al.	D9/390
D294,463 S	3/1988	Lang	D9/392
D294,678 S	3/1988	Papa	D9/392
D295,381 S	4/1988	Papa	D9/392
D300,805 S	* 4/1989	Rogler et al.	D9/520
4,863,046 A	9/1989	Collette et al.	215/1 C
D306,262 S	2/1990	Bit	D9/396
D313,747 S	1/1991	Martin	

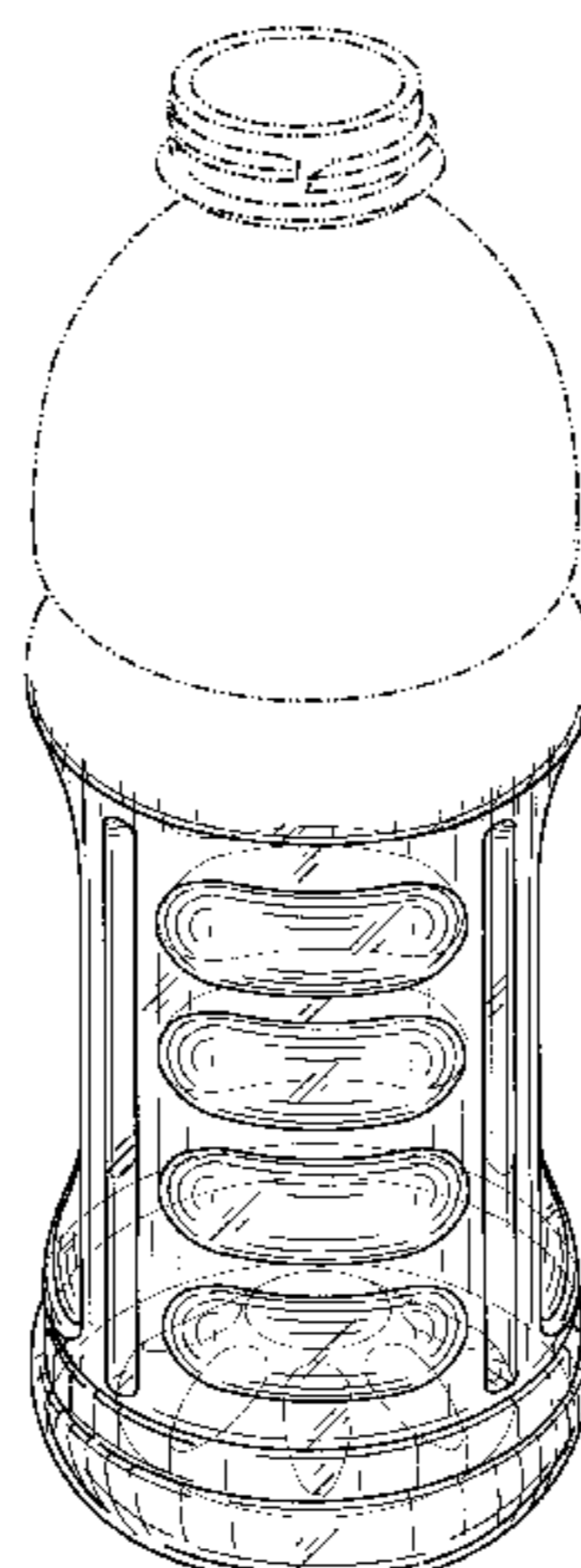
(57) **CLAIM**

We claim the ornamental design for bottle, as shown.

DESCRIPTION

FIG. 1 is a perspective view of a bottle showing our new design;
 FIG. 2 is a front view of the bottle depicted in FIG. 1, the opposite side being identical;
 FIG. 3 is a side view of the bottle depicted in FIG. 2, representing a ninety degree rotation of the bottle about its vertical center axis from the front view depicted in FIG. 2, the opposite side being identical;
 FIG. 4 is a top view of the bottle depicted in FIG. 2; and,
 FIG. 5 is a bottom view of the bottle depicted in FIG. 2.

1 Claim, 2 Drawing Sheets



US D457,065 S

Page 2

U.S. PATENT DOCUMENTS

5,303,833 A	4/1994	Hayashi et al.	215/1 C	5,746,339 A	5/1998	Petre et al.	215/383
5,385,250 A	1/1995	Pasquale	215/1 C	D394,812 S	6/1998	Crawford	
5,472,105 A	12/1995	Krishnakumar et al.		5,758,790 A *	6/1998	Ewing, Jr.	215/384
D370,178 S	5/1996	Petre et al.	D9/520	D396,413 S	7/1998	Duboff	D9/539
5,579,937 A *	12/1996	Valyi	215/384	D396,640 S	8/1998	Conrad et al.	D9/502
D379,224 S *	5/1997	McCallister et al.	D9/520	D397,297 S	8/1998	Yang	D9/523
D379,306 S	5/1997	Peykoff	D9/502	D397,616 S	9/1998	Chen	
5,632,397 A	5/1997	Fandoux et al.		D397,941 S	9/1998	Lauth	D9/502
5,635,229 A	6/1997	Ray		5,836,469 A *	11/1998	Zebrowski	215/384
D382,485 S	8/1997	Krishnakumar et al.		D401,860 S	12/1998	Granelli	D9/538
D382,807 S	8/1997	Silvers et al.		5,971,184 A	10/1999	Krishnakumar	215/384
5,704,503 A	1/1998	Krishnakumar et al.	215/381				

* cited by examiner

FIG. 1

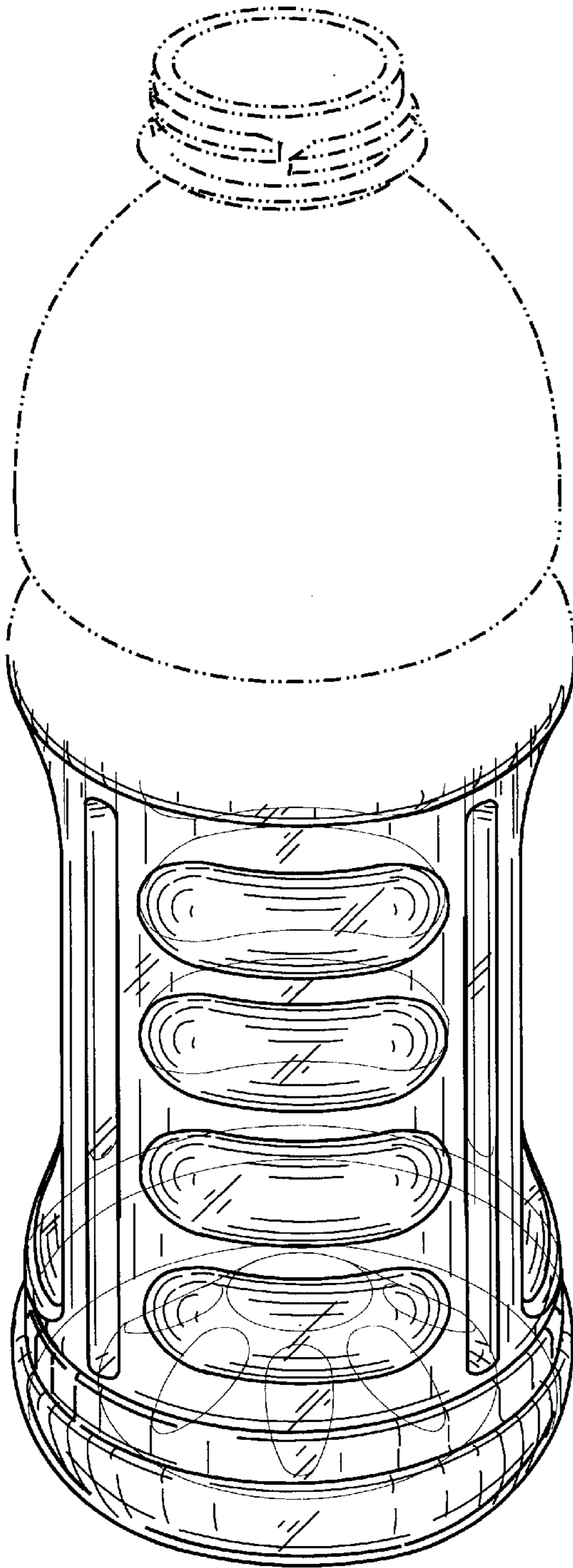


FIG. 4

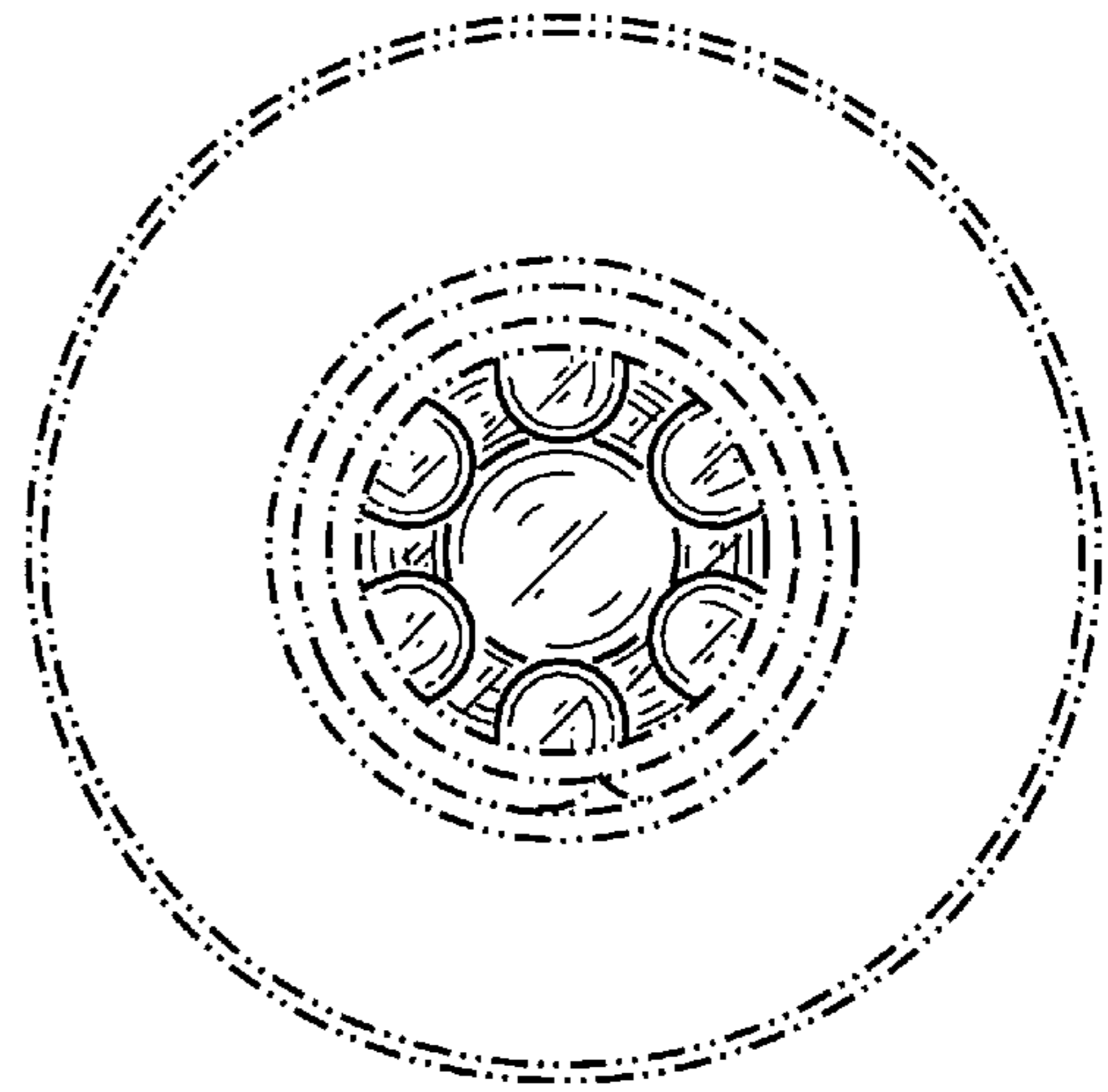


FIG. 5

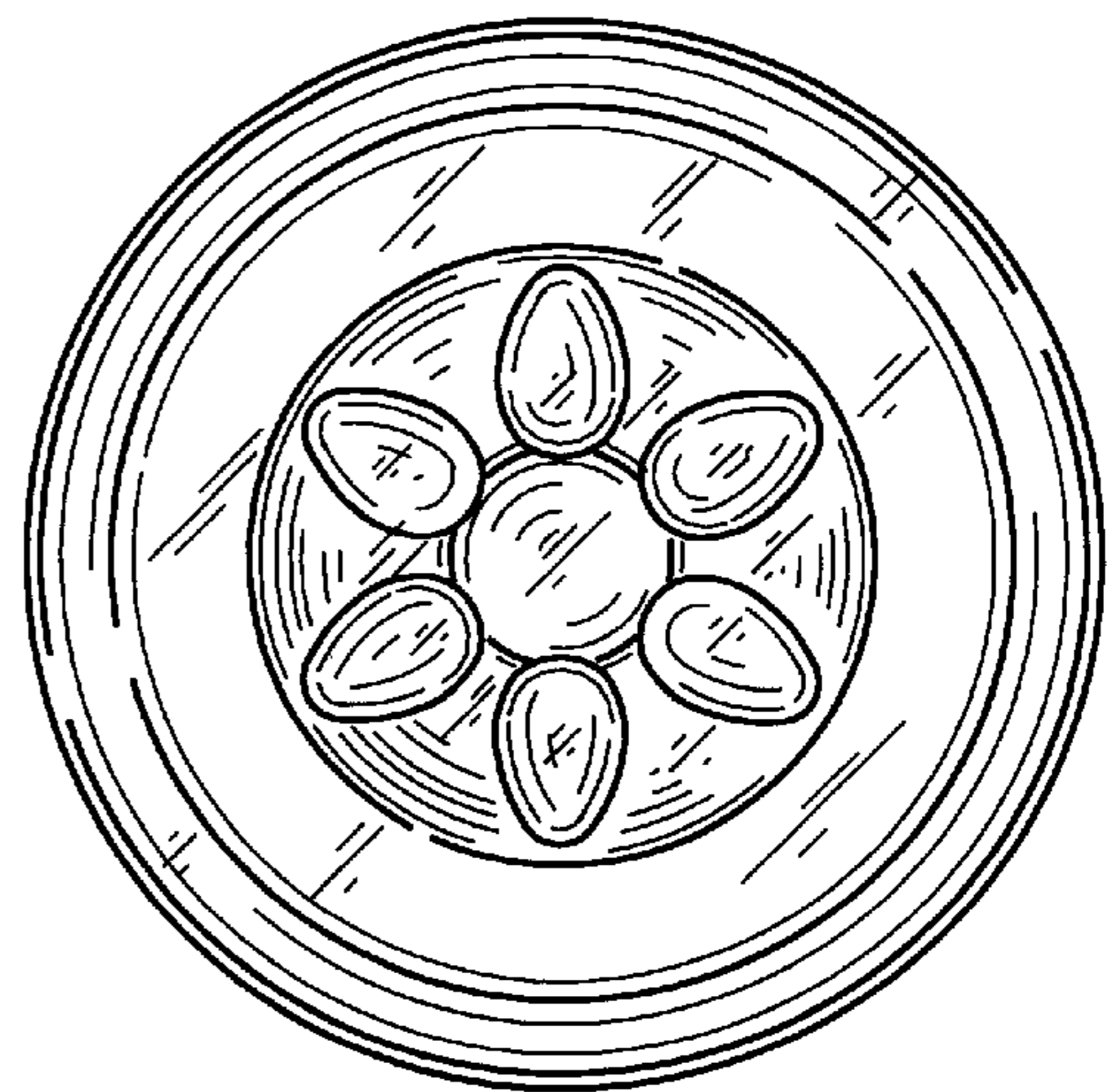


FIG. 2

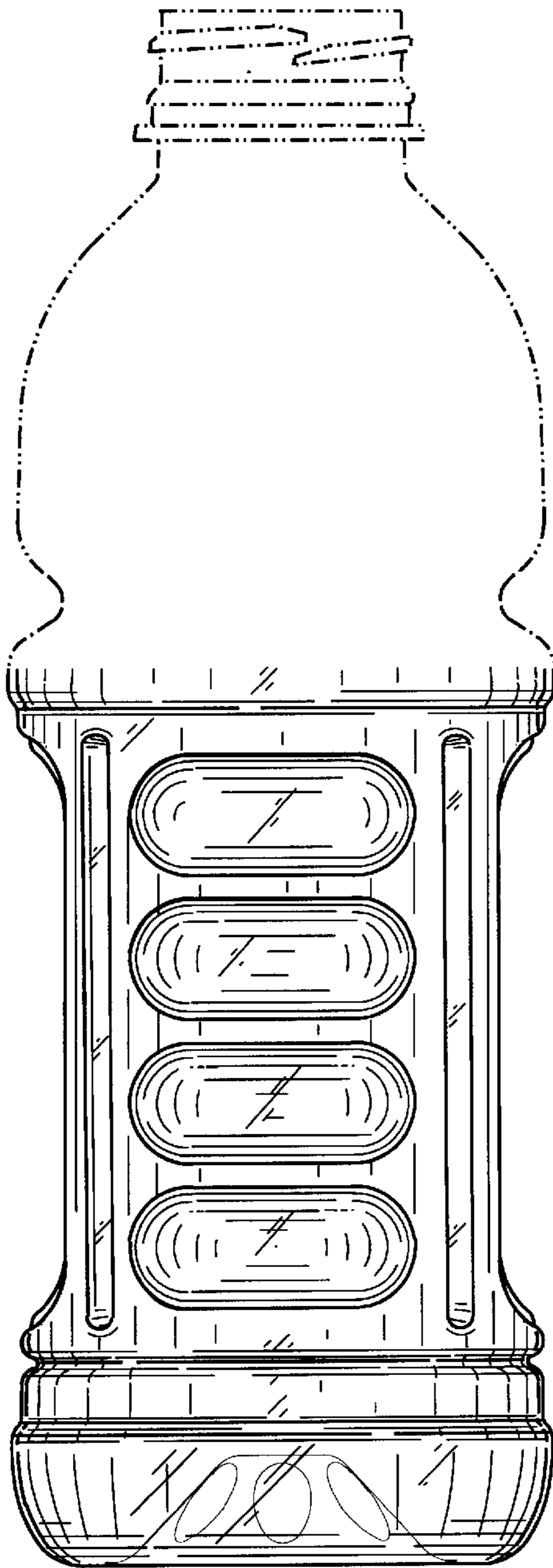


FIG. 3

