



US00D457060S

(12) **United States Design Patent**
Bretz et al.

(10) **Patent No.:** **US D457,060 S**

(45) **Date of Patent:** **** May 14, 2002**

(54) **BOTTLE PORTION**

(75) Inventors: **John M. Bretz**, Crystal Lake; **Jeffrey Lichtman**; **John L. Konieczka**, both of Chicago, all of IL (US)

(73) Assignee: **Stokely-Van Camp, Inc.**, Chicago, IL (US)

(**) Term: **14 Years**

(21) Appl. No.: **29/145,312**

(22) Filed: **Jul. 19, 2001**

Related U.S. Application Data

(62) Division of application No. 29/115,916, filed on Dec. 22, 1999.

(51) **LOC (7) Cl.** **09-01**

(52) **U.S. Cl.** **D9/434; D9/502**

(58) **Field of Search** D9/537-540, 502, D9/557, 434; 215/381-384, 370-373

(56) **References Cited**

U.S. PATENT DOCUMENTS

D240,593 S * 7/1976 Koenigsberg D9/539
4,492,313 A * 1/1985 Touzani 215/372

D295,381 S * 4/1988 Papa D9/538
4,818,575 A * 4/1989 Hirata 215/382
5,310,068 A * 5/1994 Saghri 215/383
D414,112 S * 9/1999 Waggaman D9/557
5,979,326 A * 11/1999 Ohinata 215/382
D445,334 S * 7/2001 Bretz et al. D9/434

* cited by examiner

Primary Examiner—Lucy Lieberman

(74) *Attorney, Agent, or Firm*—Lars S. Johnson

(57) **CLAIM**

The ornamental design for a bottle portion, as shown and described.

DESCRIPTION

FIG. 1 is a perspective view of a bottle portion embodying our new design;

FIG. 2 is a front elevational view of the bottle portion depicted in FIG. 1, the side and rear elevational views being identical;

FIG. 3 is a top plan view of the bottle portion depicted in FIG. 2; and,

FIG. 4 is a bottom plan view of the bottle portion depicted in FIG. 2.

The broken line environmental showing is for illustrative purposes only and does not form part of the claimed design.

1 Claim, 2 Drawing Sheets

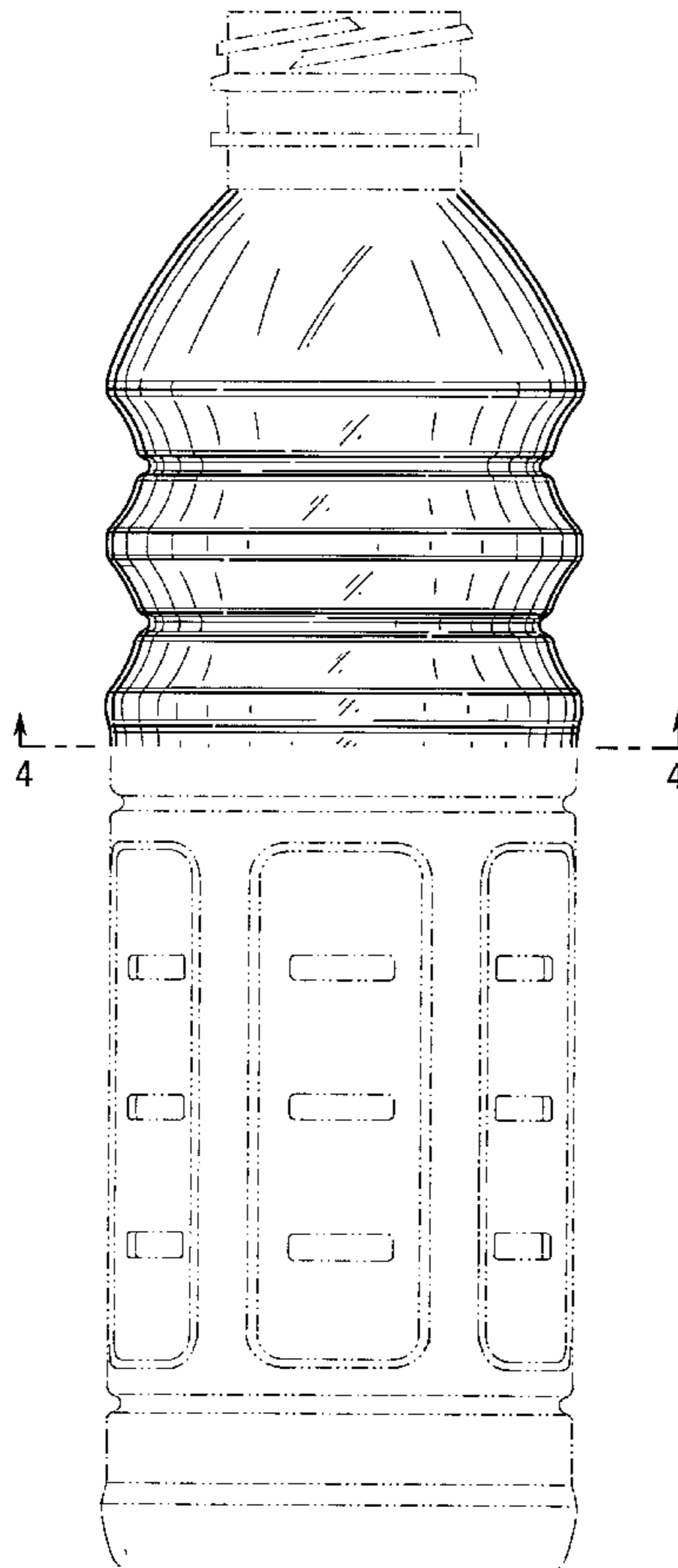


FIG. 1

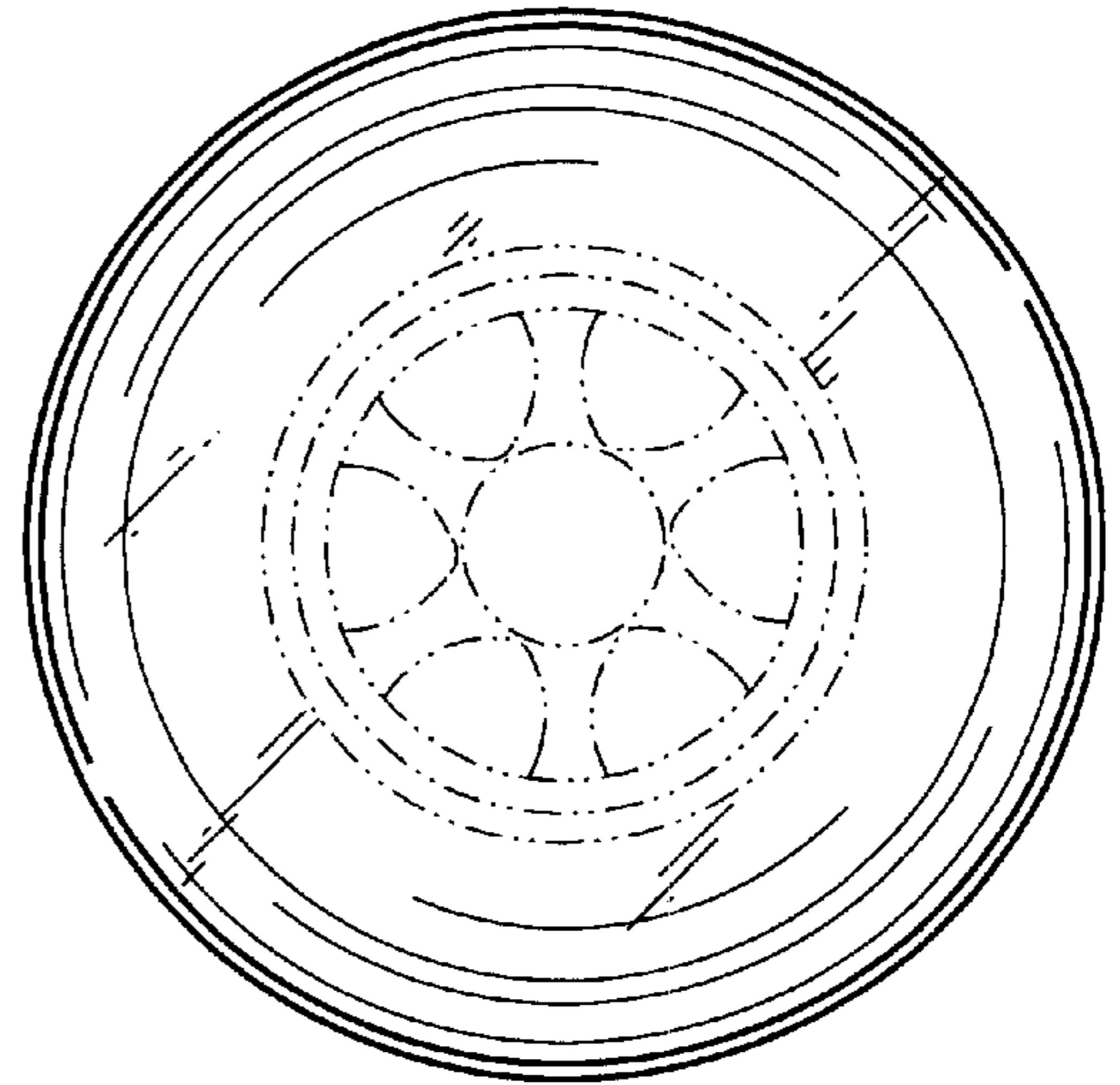
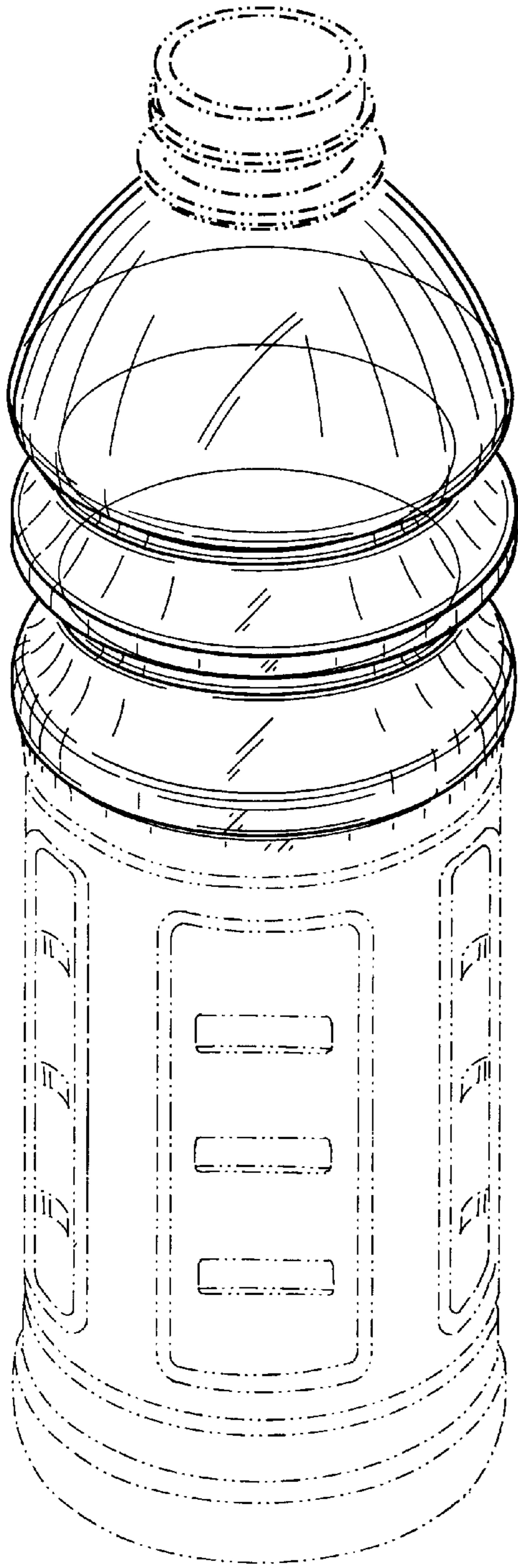


FIG. 3

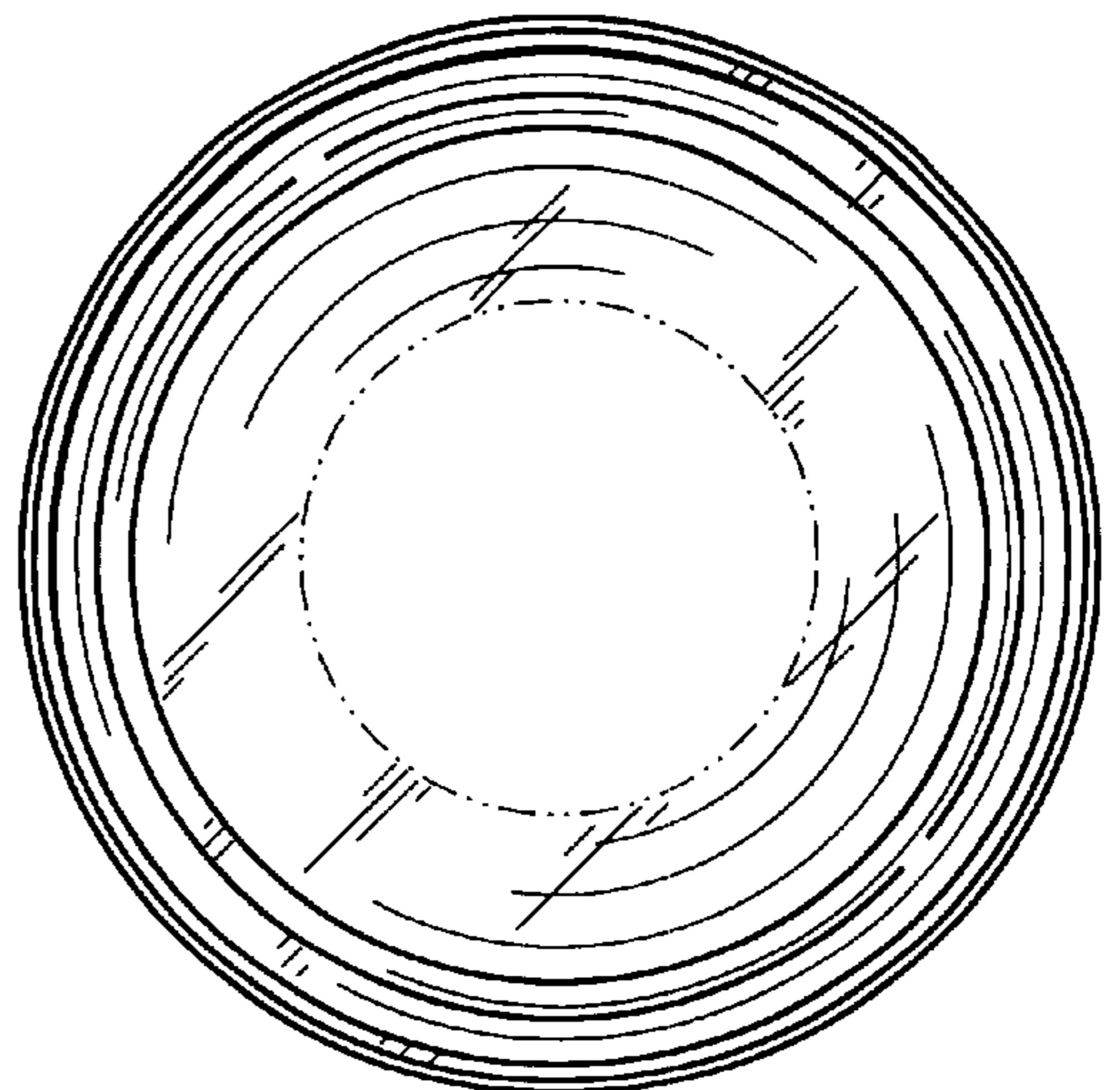


FIG. 4

FIG. 2

