



US00D457059S

(12) **United States Design Patent**
Macrae

(10) **Patent No.:** **US D457,059 S**

(45) **Date of Patent:** **** May 14, 2002**

(54) **CORD REEL PACKAGE**

(75) **Inventor:** **Kannyn B. Macrae**, Los Angeles, CA
(US)

(73) **Assignee:** **Belkin Components**, Compton, CA
(US)

(**) **Term:** **14 Years**

(21) **Appl. No.:** **29/131,117**

(22) **Filed:** **Oct. 13, 2000**

(51) **LOC (7) Cl.** **09-03**

(52) **U.S. Cl.** **D9/414; D14/484**

(58) **Field of Search** D9/414, 433, 418,
D9/415; D3/18, 20, 22, 24, 26, 27; D22/137,
141; D8/359, 358; 242/118.4, 118.7, 118,
134, 136, 137; 206/49, 389, 395, 397, 407,
413, 408; 223/106; D14/483, 484

(56) **References Cited**

U.S. PATENT DOCUMENTS

- 1,061,590 A * 5/1913 Bennet 223/106
- 4,060,444 A * 11/1977 Schweig, Jr. et al. 206/395
- 4,106,676 A * 8/1978 Freerking 223/106
- D273,559 S * 4/1984 Butler D8/359

- D345,857 S * 4/1994 Franke D3/24
- D365,012 S * 12/1995 Sather D8/359
- D373,301 S * 9/1996 Burch D8/359
- 5,579,918 A * 12/1996 McCurry 206/397
- 6,073,768 A * 6/2000 McCord et al. 206/413

* cited by examiner

Primary Examiner—Prabhakar Deshmukh

(74) *Attorney, Agent, or Firm*—Bryan Cave LLP

(57) **CLAIM**

I claim the ornamental design for the cord reel package, as shown and described.

DESCRIPTION

FIG. 1 is a side perspective view of the cord reel package design;
 FIG. 2 is a top view of the cord reel package design of FIG. 1;
 FIG. 3 is a side view of the cord reel package design of FIG. 1;
 FIG. 4 is a side view of the cord reel package design of FIG. 1; and,
 FIG. 5 is a bottom view of the cord reel package design of FIG. 1.

1 Claim, 3 Drawing Sheets

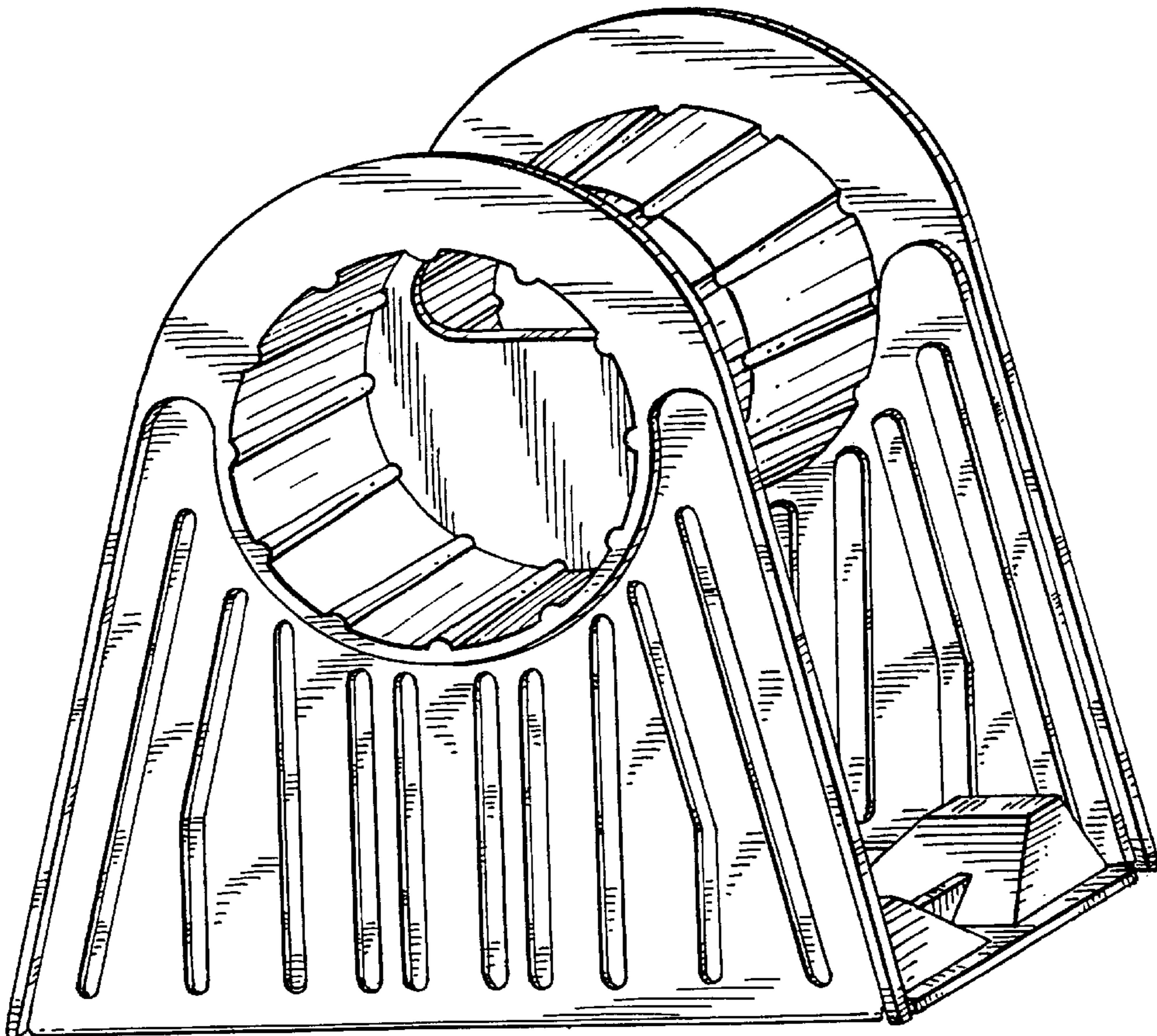
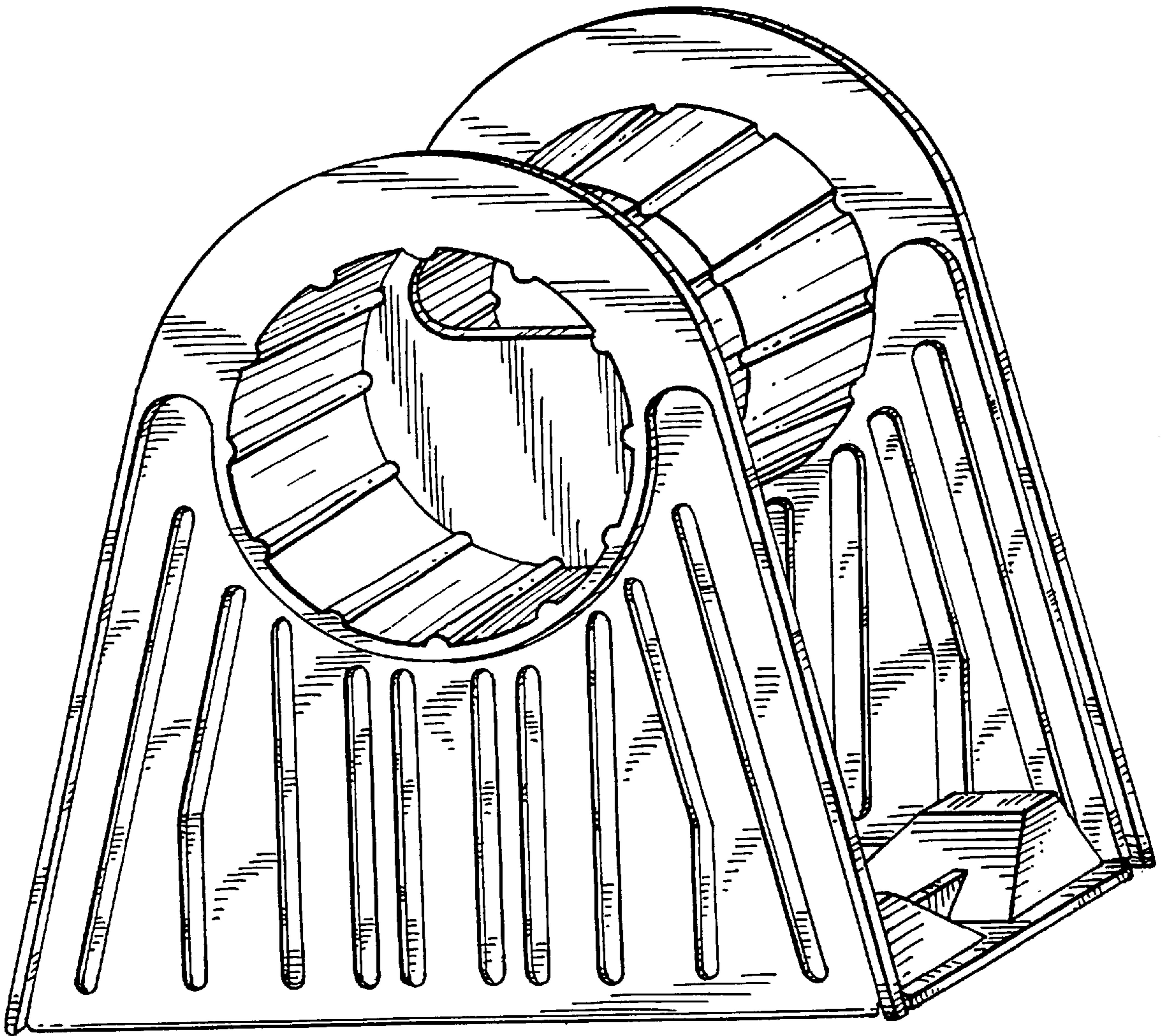


FIG. 1



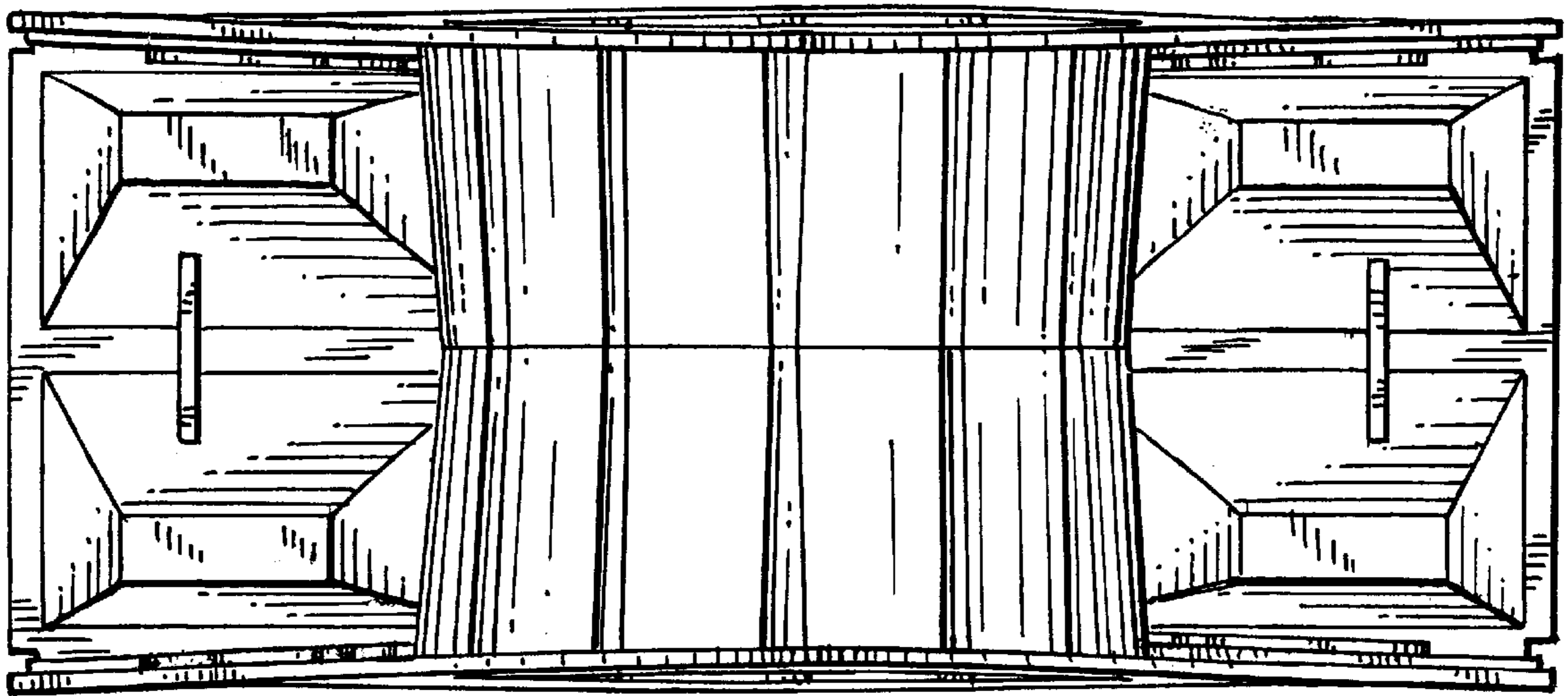


FIG. 2

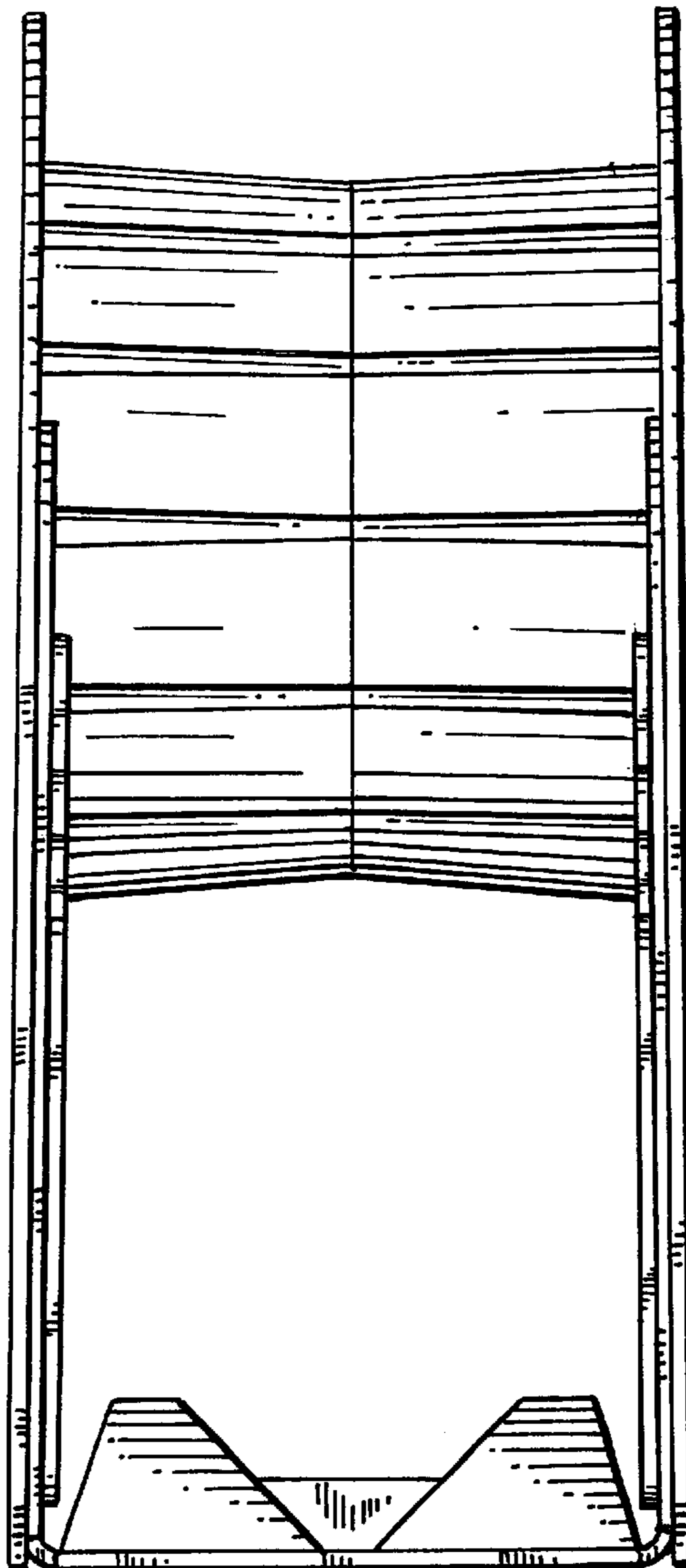


FIG. 3

FIG. 4

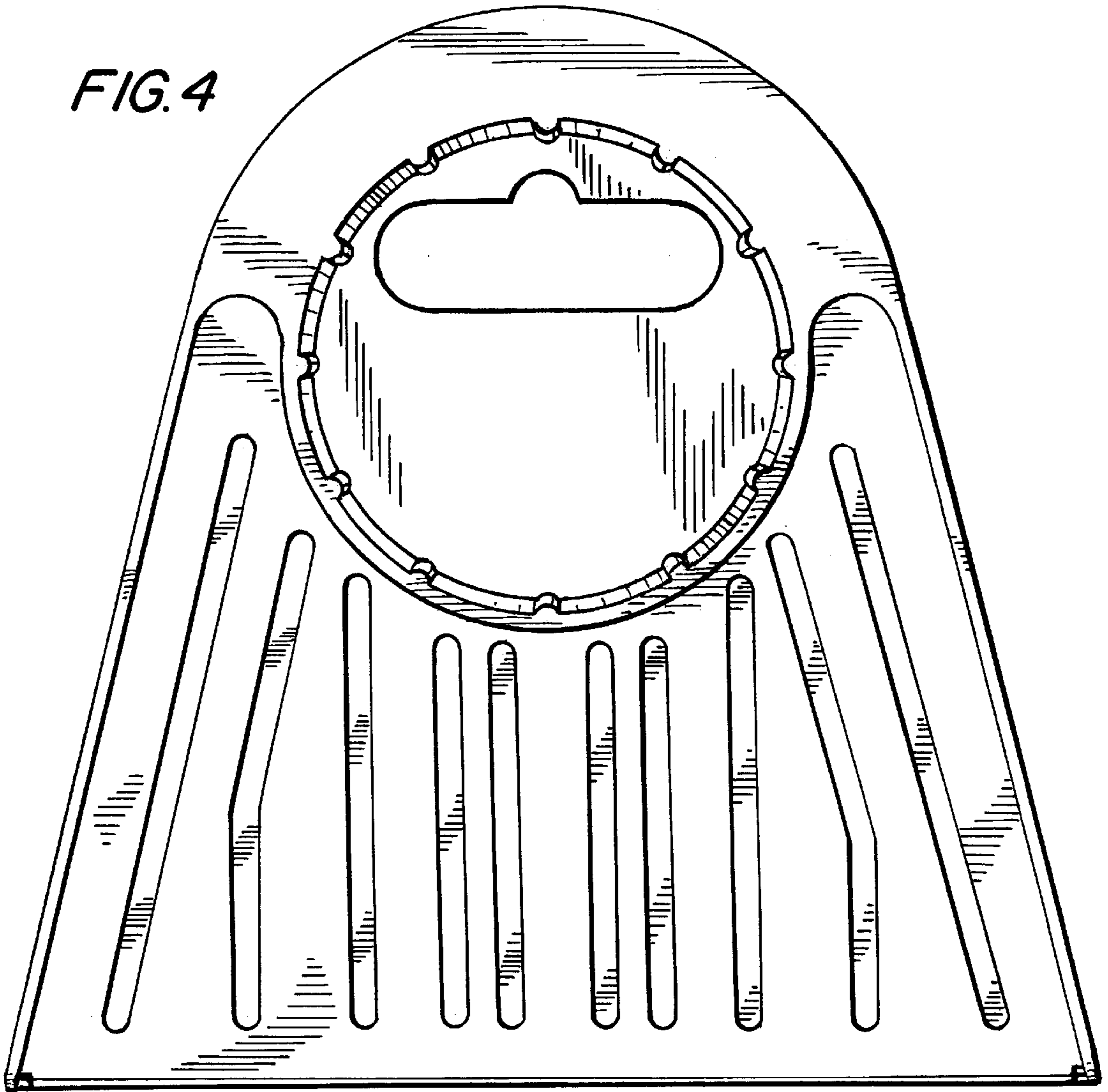


FIG. 5

