



US00D457053S

(12) **United States Design Patent**
Akeno et al.

(10) **Patent No.:** **US D457,053 S**
(45) **Date of Patent:** **** May 14, 2002**

(54) **HOOK ELEMENT PIECE FOR HOOK-AND-LOOP FASTENER**

D376,533 S * 12/1996 Akeno D8/382

* cited by examiner

(75) Inventors: **Mitsuru Akeno**, Kurobe; **Tsuyoshi Minato**, Toyama-ken, both of (JP)

Primary Examiner—Holly Baynham
(74) *Attorney, Agent, or Firm*—Hill & Simpson

(73) Assignee: **YKK Corporation**, Tokyo (JP)

(57) **CLAIM**

(**) Term: **14 Years**

The ornamental design for a hook element piece for hook-and-loop fastener, as shown and described.

(21) Appl. No.: **29/101,309**

DESCRIPTION

(22) Filed: **Feb. 26, 1999**

(30) **Foreign Application Priority Data**

Sep. 2, 1998 (JP) 10-25157

(51) **LOC (7) Cl.** **08-05**

(52) **U.S. Cl.** **D8/382**

(58) **Field of Search** D8/382; 24/452, 24/442, 448, 444, 453

FIG. 1 is a front view of a hook element piece for a hook-and-loop fastener.

FIG. 2 is a top plan view of the hook element piece of FIG. 1.

FIG. 3 is a right side view of the hook element piece of FIG. 1.

FIG. 4 is a base view of the hook element piece of FIG. 1.

FIG. 5 is a cross-sectional view taken on line 5—5 of FIG. 2; and,

FIG. 6 is a fragmentary perspective view of the hook element piece of FIG. 1.

The claimed design is shown fragmented for ease of illustration and clarity of the disclosure.

(56) **References Cited**

U.S. PATENT DOCUMENTS

- 5,067,210 A * 11/1991 Kayaki 24/442
- D367,419 S * 2/1996 Murasaki D8/382
- D374,813 S * 10/1996 Akeno D8/382

1 Claim, 3 Drawing Sheets

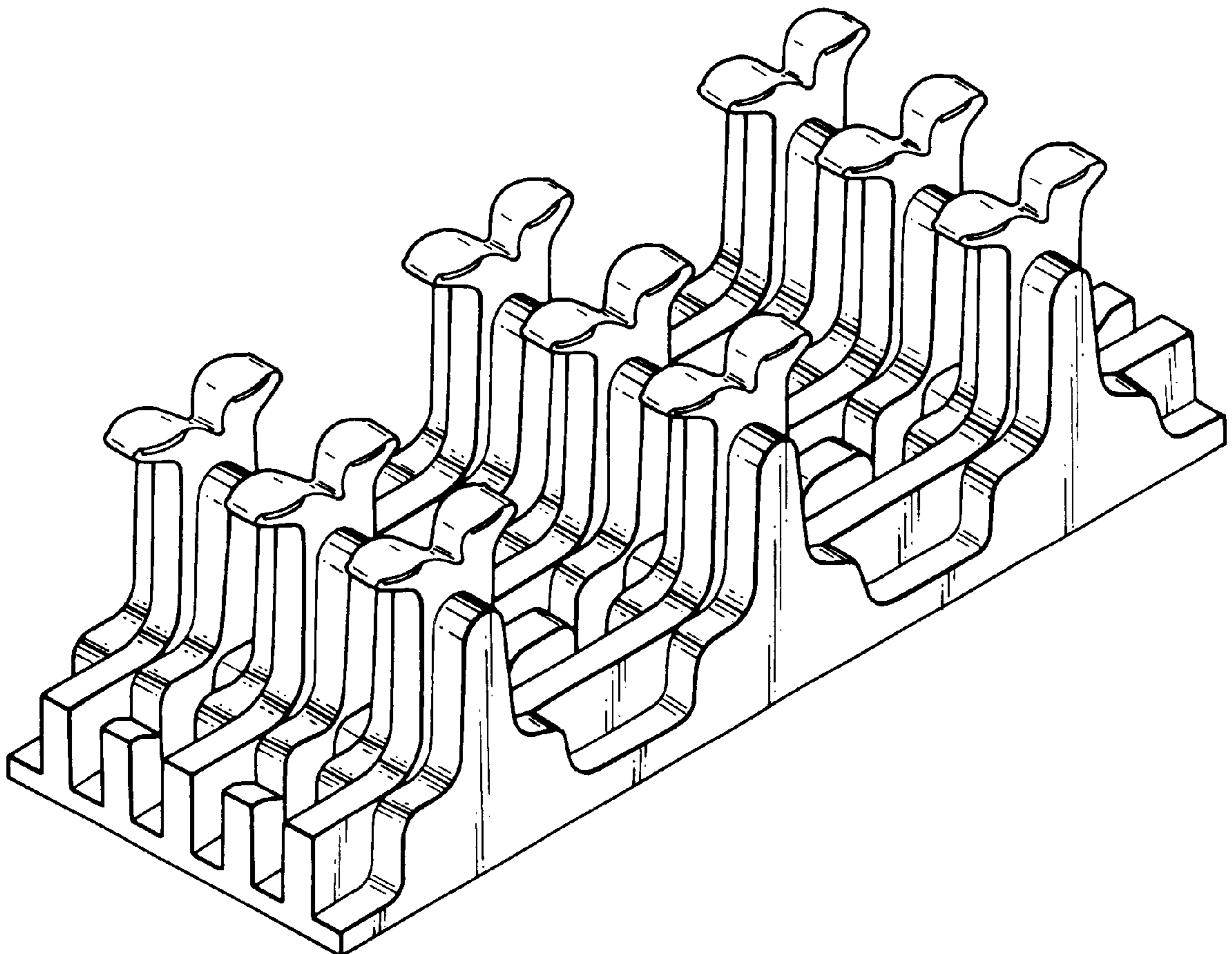


FIG. 1

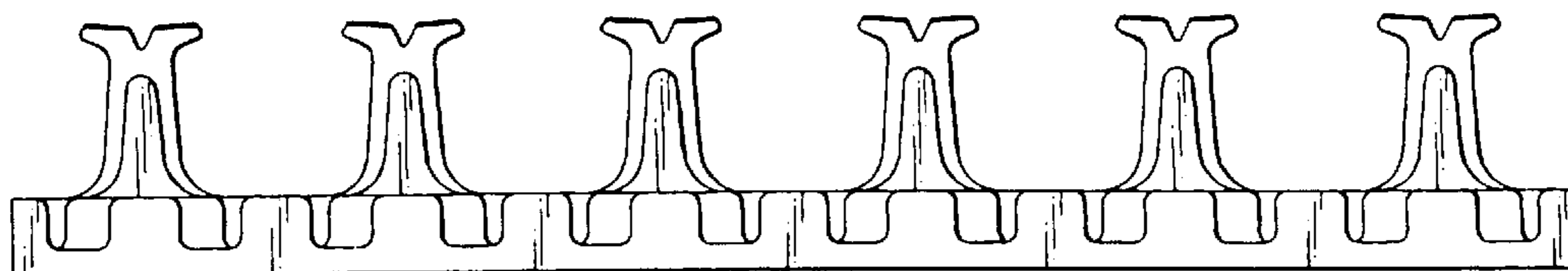


FIG. 2

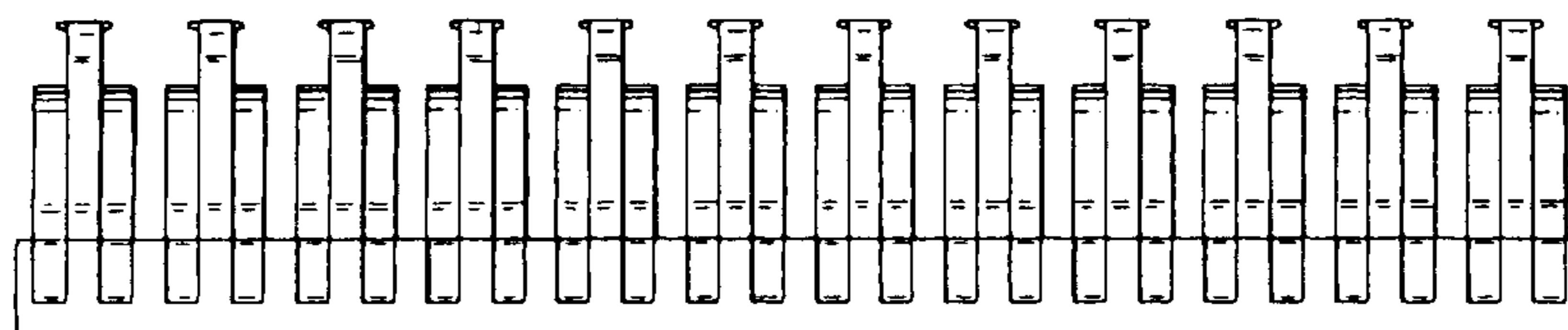
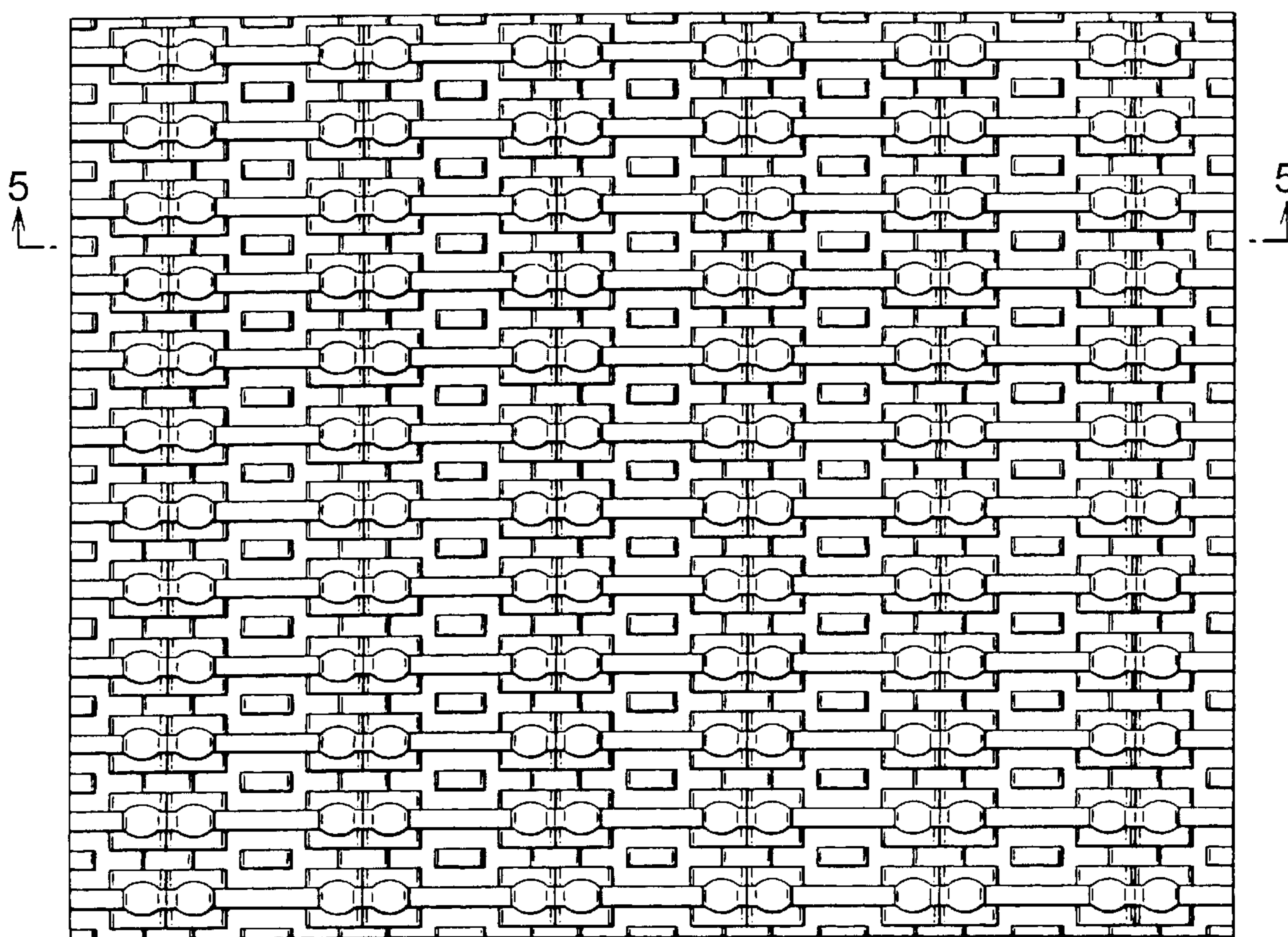


FIG. 3

FIG. 5

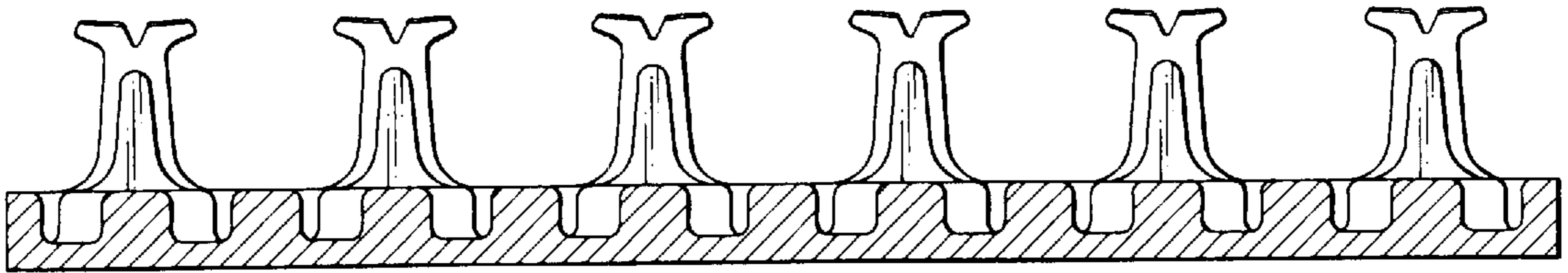


FIG. 4

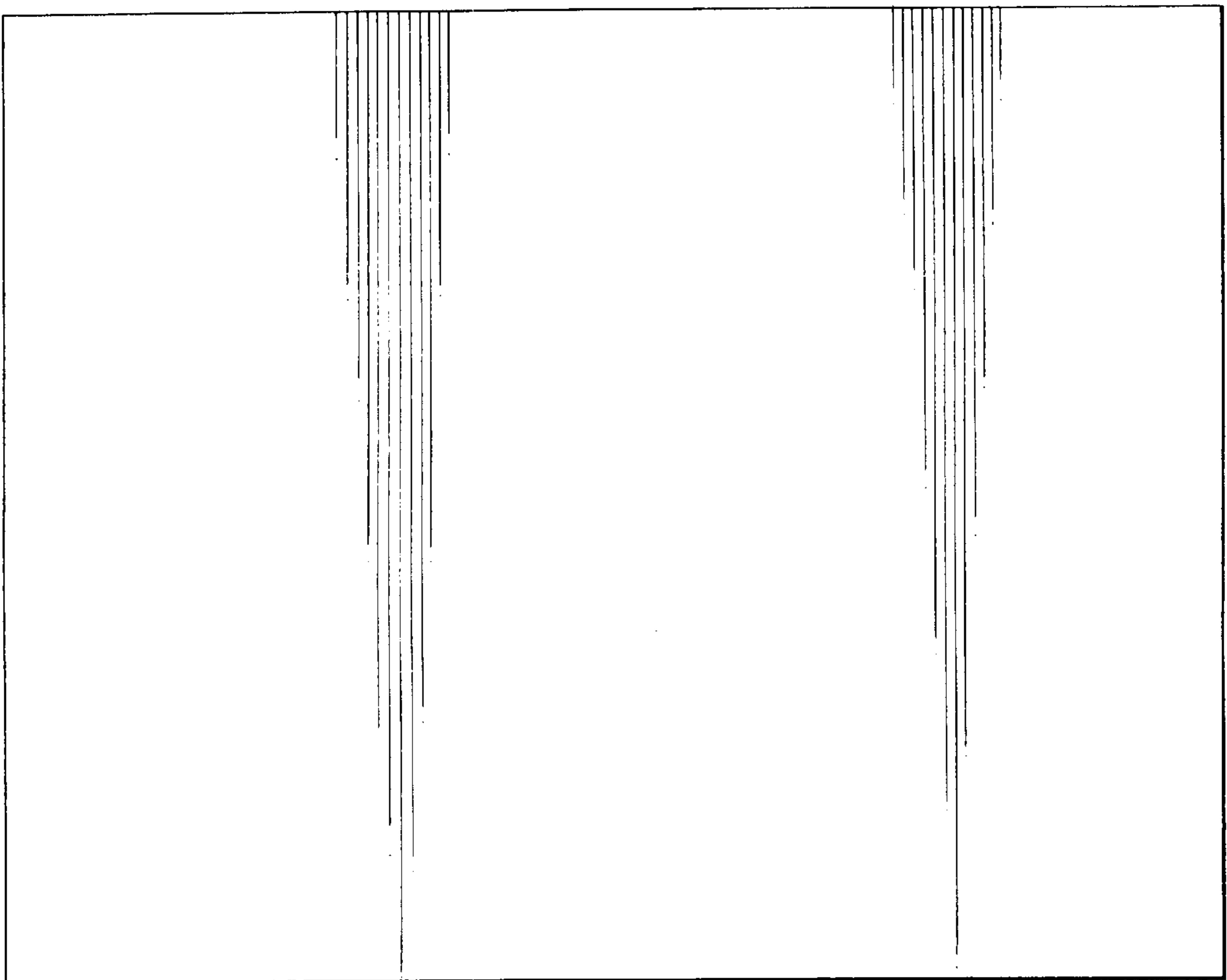


FIG. 6

