



US00D457052S

(12) **United States Design Patent**
Snyder

(10) **Patent No.:** **US D457,052 S**

(45) **Date of Patent:** **** May 14, 2002**

(54) **ADJUSTABLE DUCT BRACKET**

D215,831 S * 11/1969 Maynard D25/122
5,555,695 A * 9/1996 Patsy, Jr. 52/730.4

(76) Inventor: **Darryl L. Snyder**, 4520 N. Market St.,
Canton, OH (US) 44714

* cited by examiner

(**) Term: **14 Years**

Primary Examiner—Doris V. Coles
Assistant Examiner—Elizabeth A. Albert
(74) *Attorney, Agent, or Firm*—Sand & Sebolt

(21) Appl. No.: **29/131,812**

(22) Filed: **Nov. 3, 2000**

Related U.S. Application Data

(62) Division of application No. 29/108,096, filed on Jul. 20,
1999, now Pat. No. Des. 436,835.

(51) **LOC (7) Cl.** **08-08**

(52) **U.S. Cl.** **D8/349**

(58) **Field of Search** D8/349, 350, 354,
D8/355, 356, 377, 382, 499; D25/119, 120,
121, 122, 123, 124, 125; 16/95 R; 40/605,
707, 710; 52/578, 579, 582.1, 584.1, 586.1,
285.1, 720.1, 730.4, 731.2, 732.1; 248/68.1,
188.8, 200, 205.1, 224.8, 229.25, 229.12;
296/36; 403/362, 402

(57) **CLAIM**

The ornamental design for an adjustable duct bracket, as
shown and described.

DESCRIPTION

FIG. 1 is a perspective view of an adjustable duct bracket
showing my new design;

FIG. 2 is a top plan view of the adjustable duct bracket of
FIG. 1;

FIG. 3 is a front elevational view of FIG. 2;

FIG. 4 is a bottom plan view of FIG. 2; and,

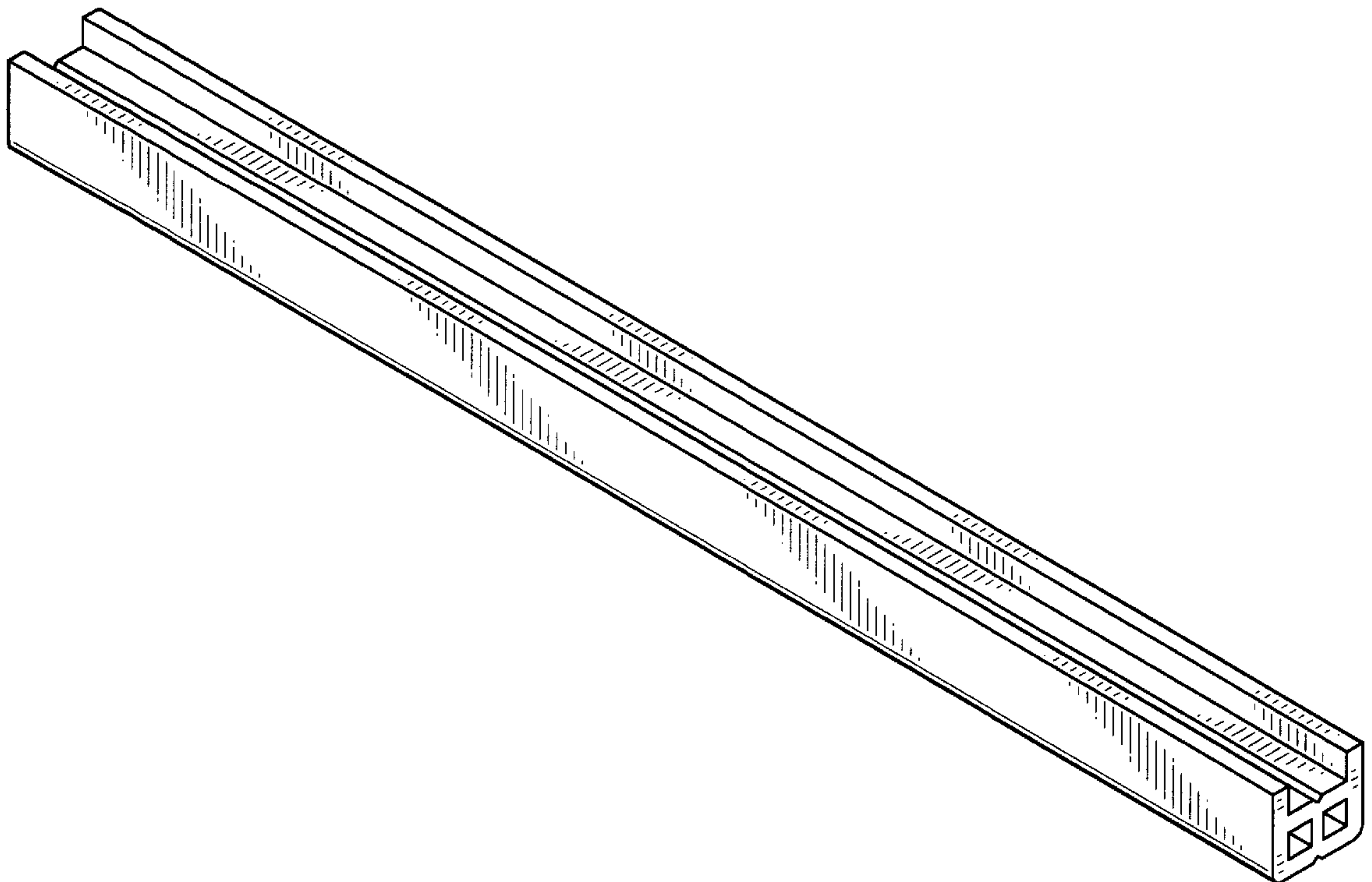
FIG. 5 is a right side elevational view of FIG. 2, the left side
being a mirror image thereof.

(56) **References Cited**

U.S. PATENT DOCUMENTS

D34,968 S * 8/1901 McRoy D25/120

1 Claim, 2 Drawing Sheets



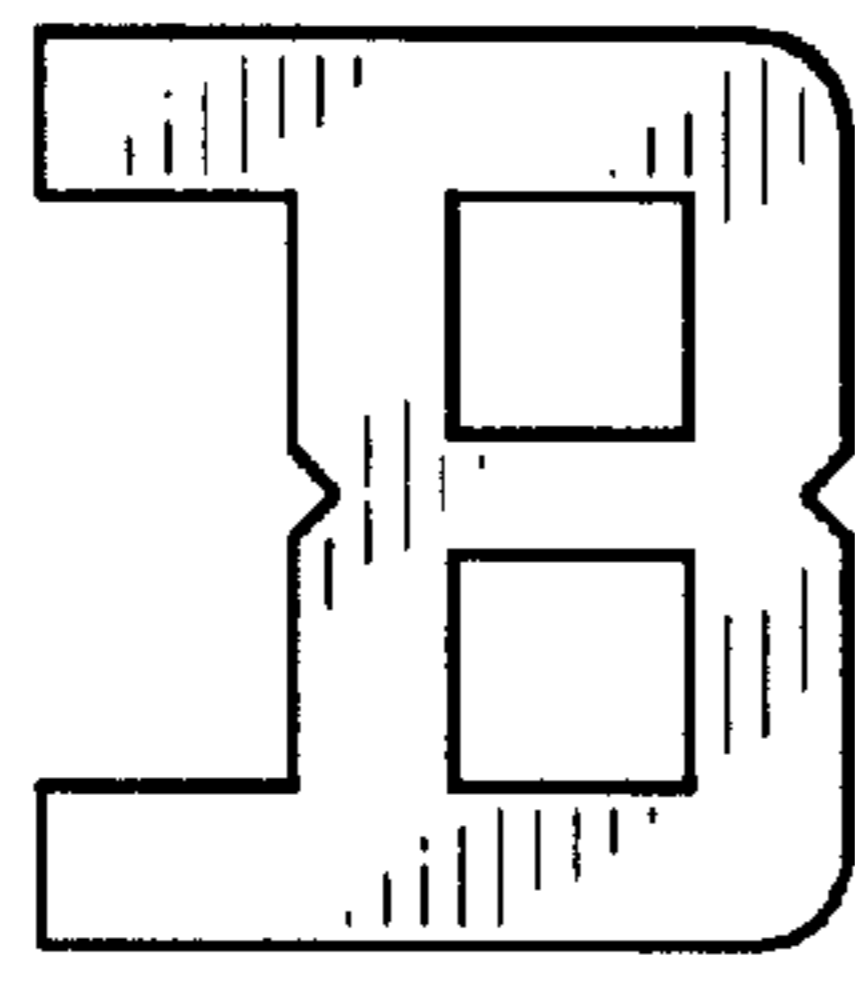


FIG-5

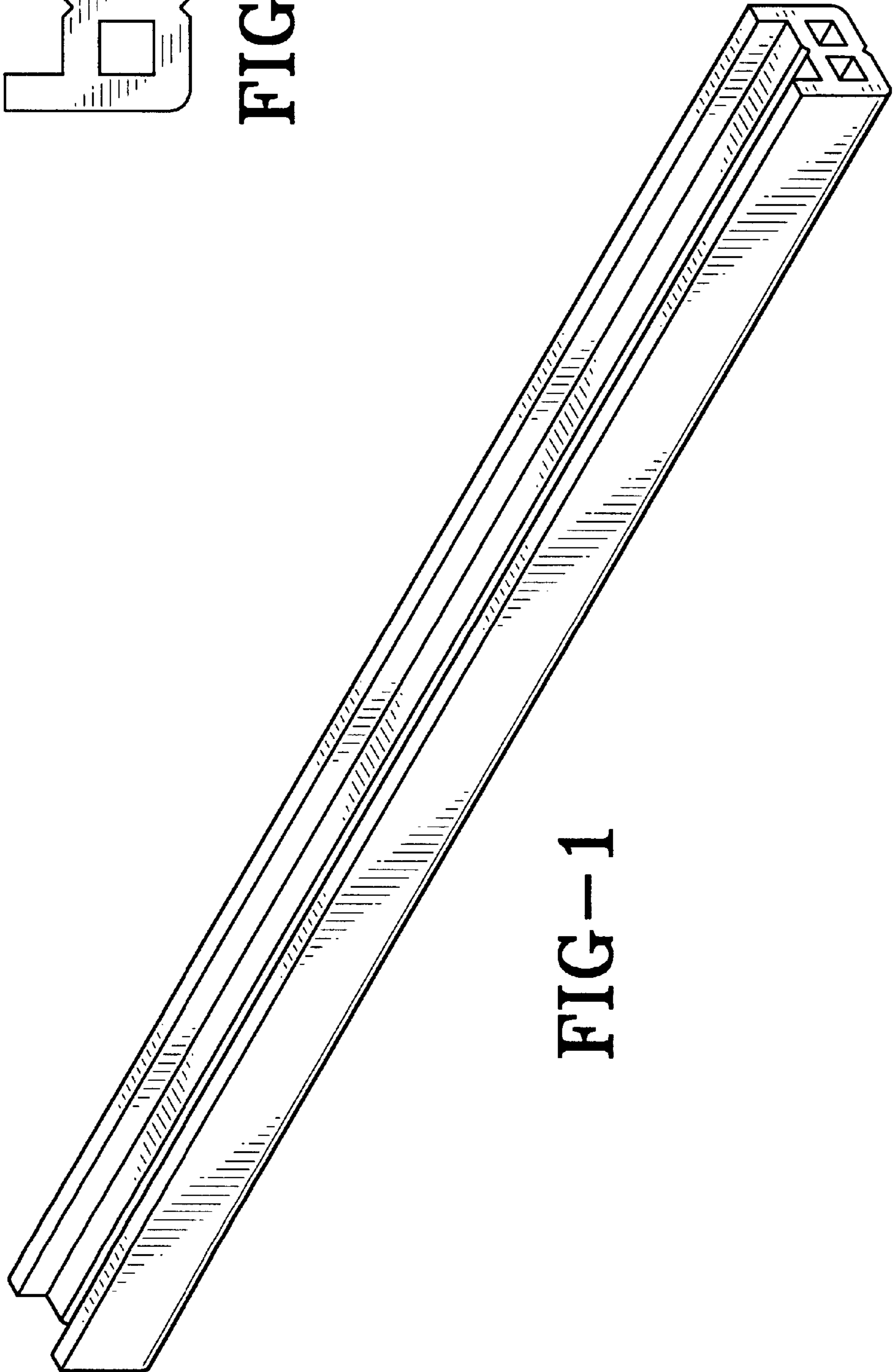


FIG-1

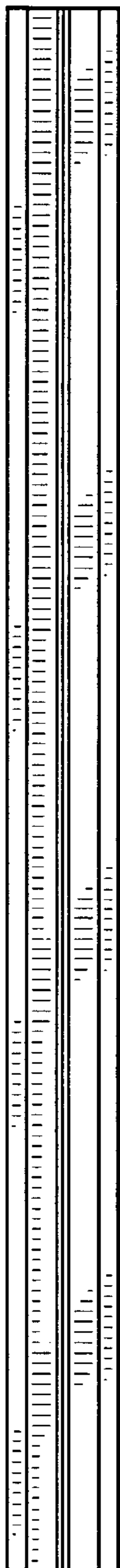


FIG-2

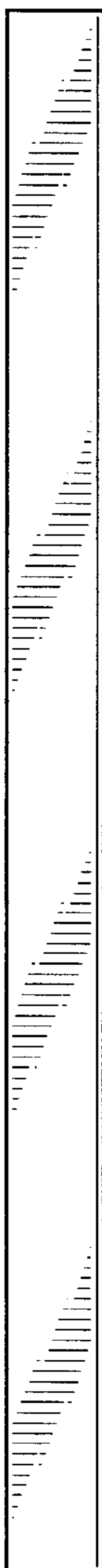


FIG-3

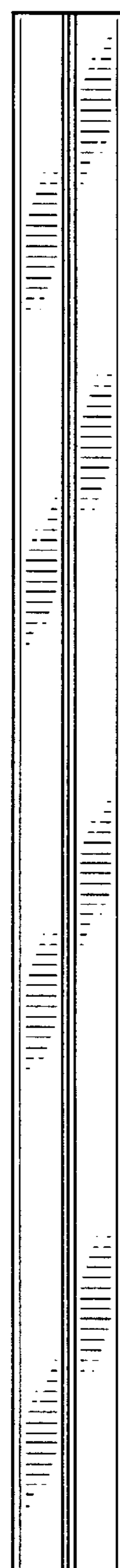


FIG-4