



US00D457046S

(12) **United States Design Patent**
Boyle et al.

(10) **Patent No.:** **US D457,046 S**

(45) **Date of Patent:** **** May 14, 2002**

(54) **ROTARY TOOL HOLDER**

(75) Inventors: **David C. Boyle**, Severna Park;
Timothy T. McKenzie, Baltimore, both
of MD (US)

(73) Assignee: **Black & Decker Inc.**, Newark, DE
(US)

(**) Term: **14 Years**

(21) Appl. No.: **29/142,854**

(22) Filed: **Jun. 4, 2001**

Related U.S. Application Data

(62) Division of application No. 29/120,103, filed on Mar. 10,
2000, now Pat. No. Des. 449,504.

(51) **LOC (7) Cl.** **08-05**

(52) **U.S. Cl.** **D8/70**

(58) **Field of Search** D8/70; D15/140;
409/234, 131, 141; 408/239 R, 240, 238;
279/49

(56) **References Cited**

U.S. PATENT DOCUMENTS

- 632,560 A * 9/1899 Furbish 279/82
- 2,806,706 A * 9/1957 Fitch 200/83 P
- 3,583,715 A * 6/1971 Jahrl 279/75
- 4,146,240 A * 3/1979 Nielsen 279/19.5
- 4,629,375 A * 12/1986 Lieser 279/75
- 4,692,073 A * 9/1987 Martindell 279/75
- 4,710,079 A * 12/1987 Smith et al. 279/133
- 4,991,859 A * 2/1991 Rohm 279/60
- 5,062,749 A * 11/1991 Sheets 279/103

- 5,462,293 A * 10/1995 Samelius et al. 279/129
- 5,470,180 A * 11/1995 Jore 279/14
- D415,180 S * 10/1999 Rosanwo D15/140
- D429,262 S * 8/2000 Streich D15/140
- 6,155,576 A * 12/2000 Yorde 279/46.3
- 6,186,712 B1 * 2/2001 Senzaki 279/125

* cited by examiner

Primary Examiner—Philip S. Hyder

(74) *Attorney, Agent, or Firm*—Harness, Dickey & Pierce,
P.L.C.

(57) **CLAIM**

The ornamental design for a rotary tool holder, as shown and
described.

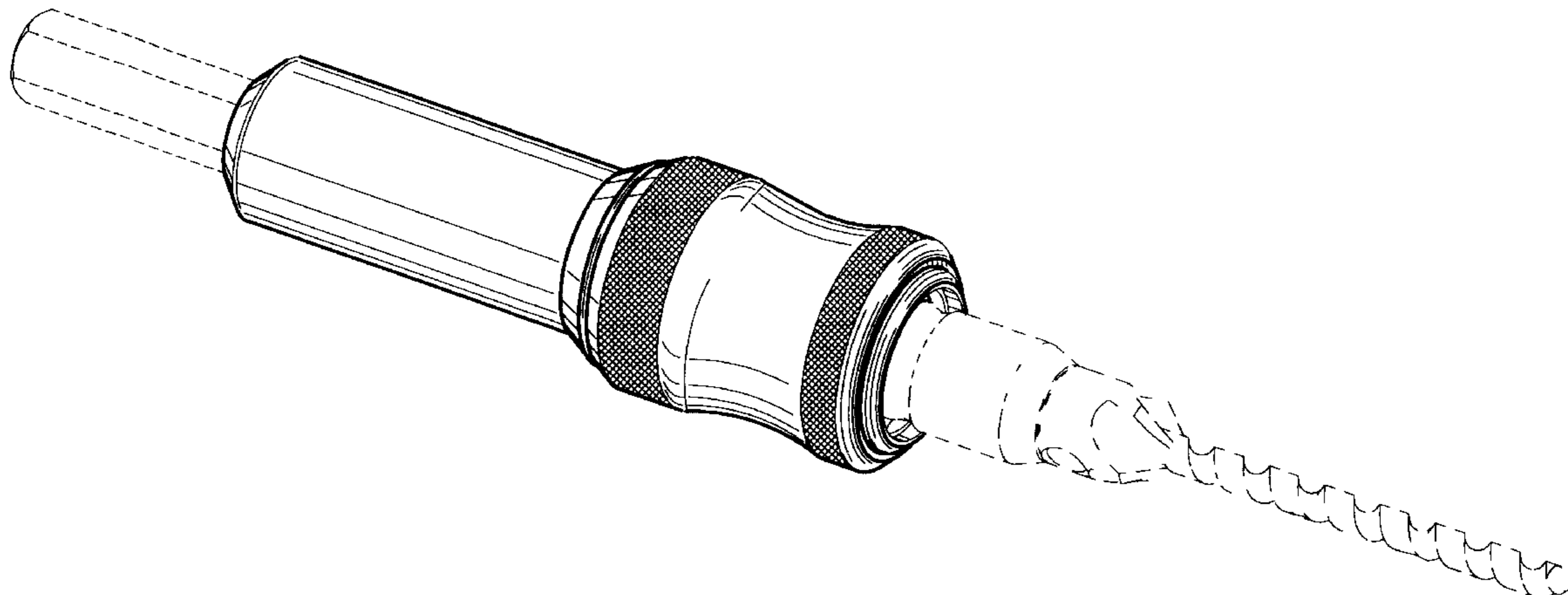
DESCRIPTION

FIG. 1 is a front perspective view of a rotary tool holder with
a bit and the drive shank shown in shadow;
FIG. 2 is a front perspective view of the rotary tool holder;
FIG. 3 is a right side view of the rotary tool holder with the
left side view being a mirror image thereof;
FIG. 4 is a front view thereof;
FIG. 5 is a rear view thereof; and,
FIG. 6 is a side view of a second embodiment of the rotary
tool holder.

The broken line showing of the tool bit and the drive shank
are for illustrative purposes only and form no part of the
claimed design.

The second embodiment of the rotary tool holder shown in
FIG. 6 is identical to the first embodiment of the rotary tool
holder shown in FIGS. 1–5 in all respects except for the
elimination of the “knurling” as illustrated.

1 Claim, 3 Drawing Sheets



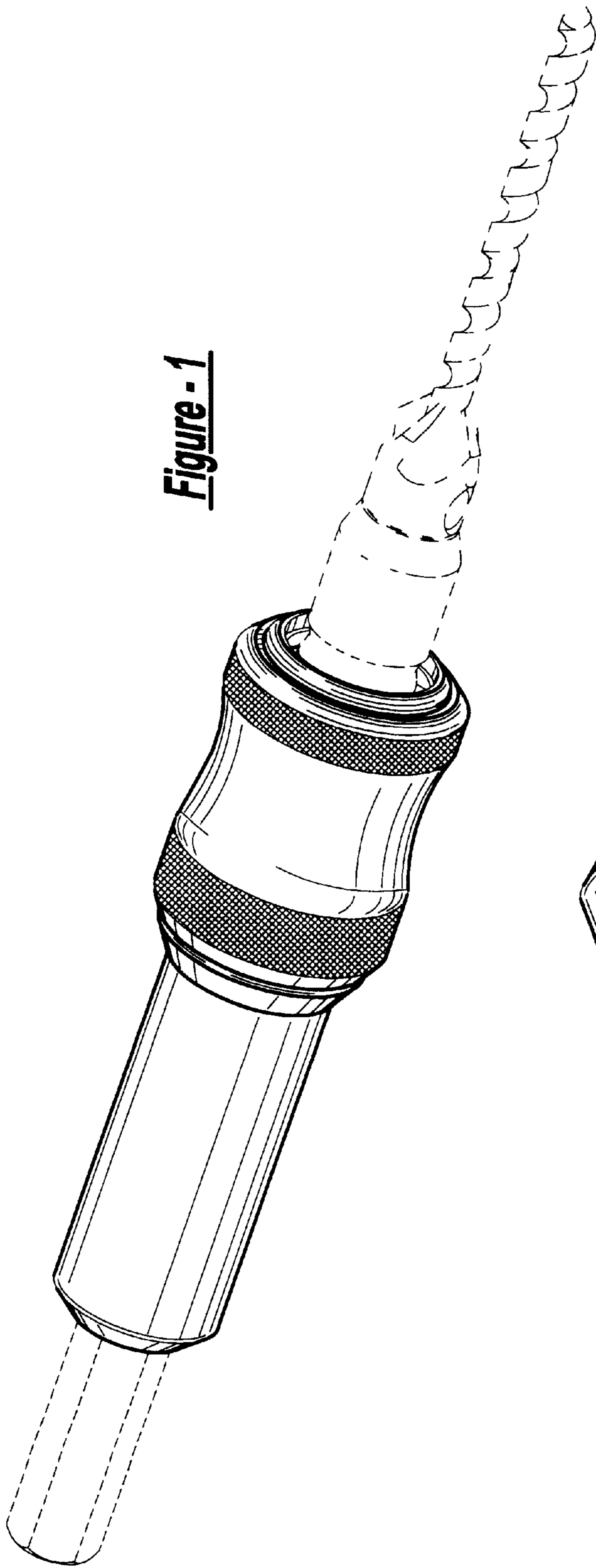


Figure - 1

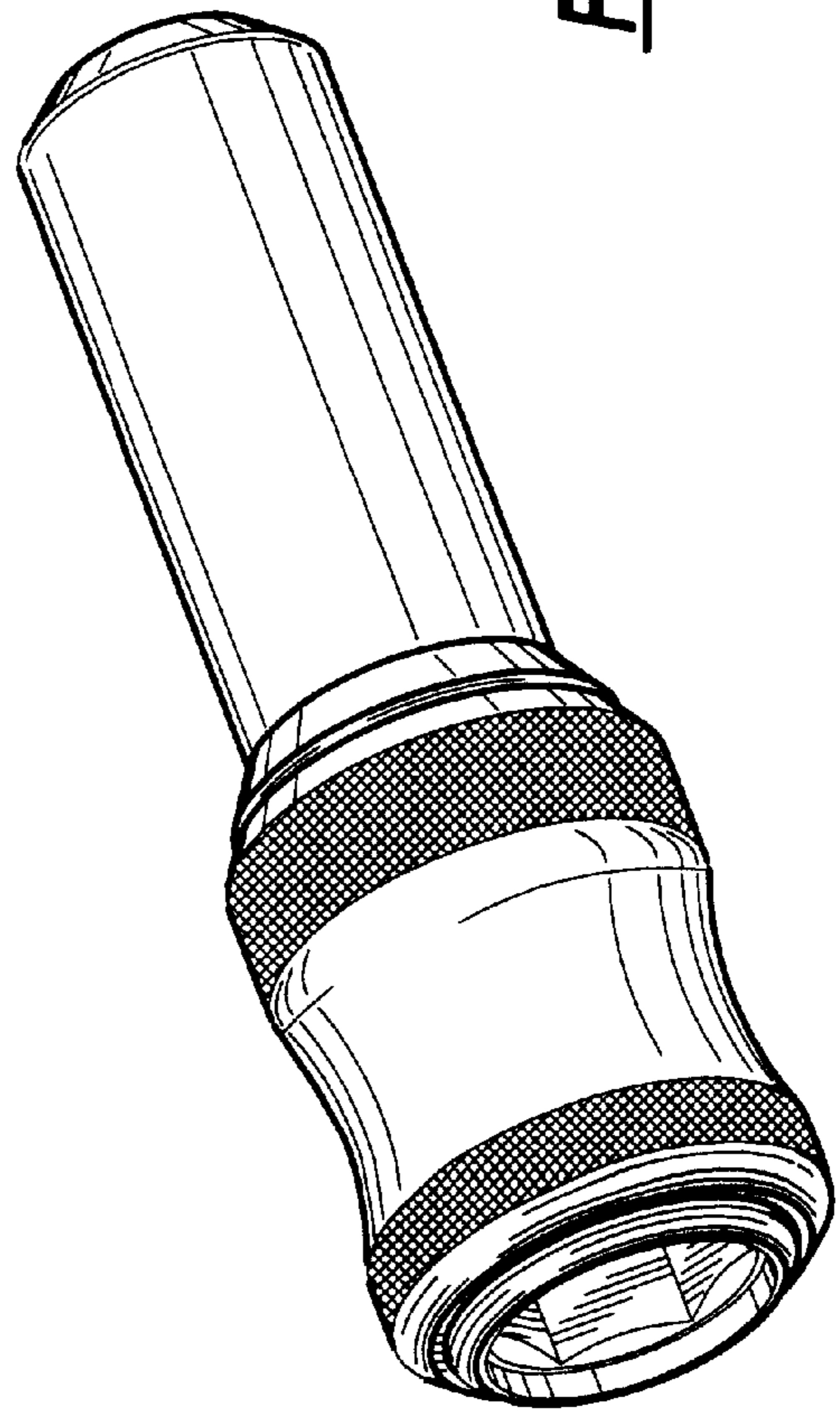


Figure - 2

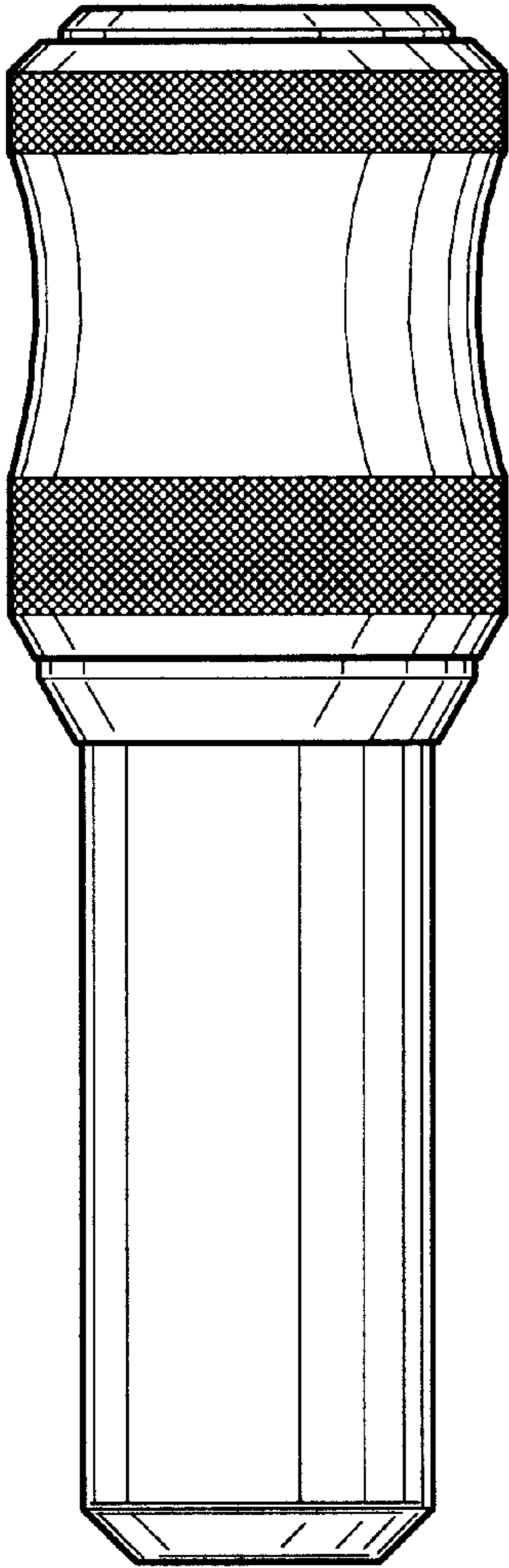


Figure - 3

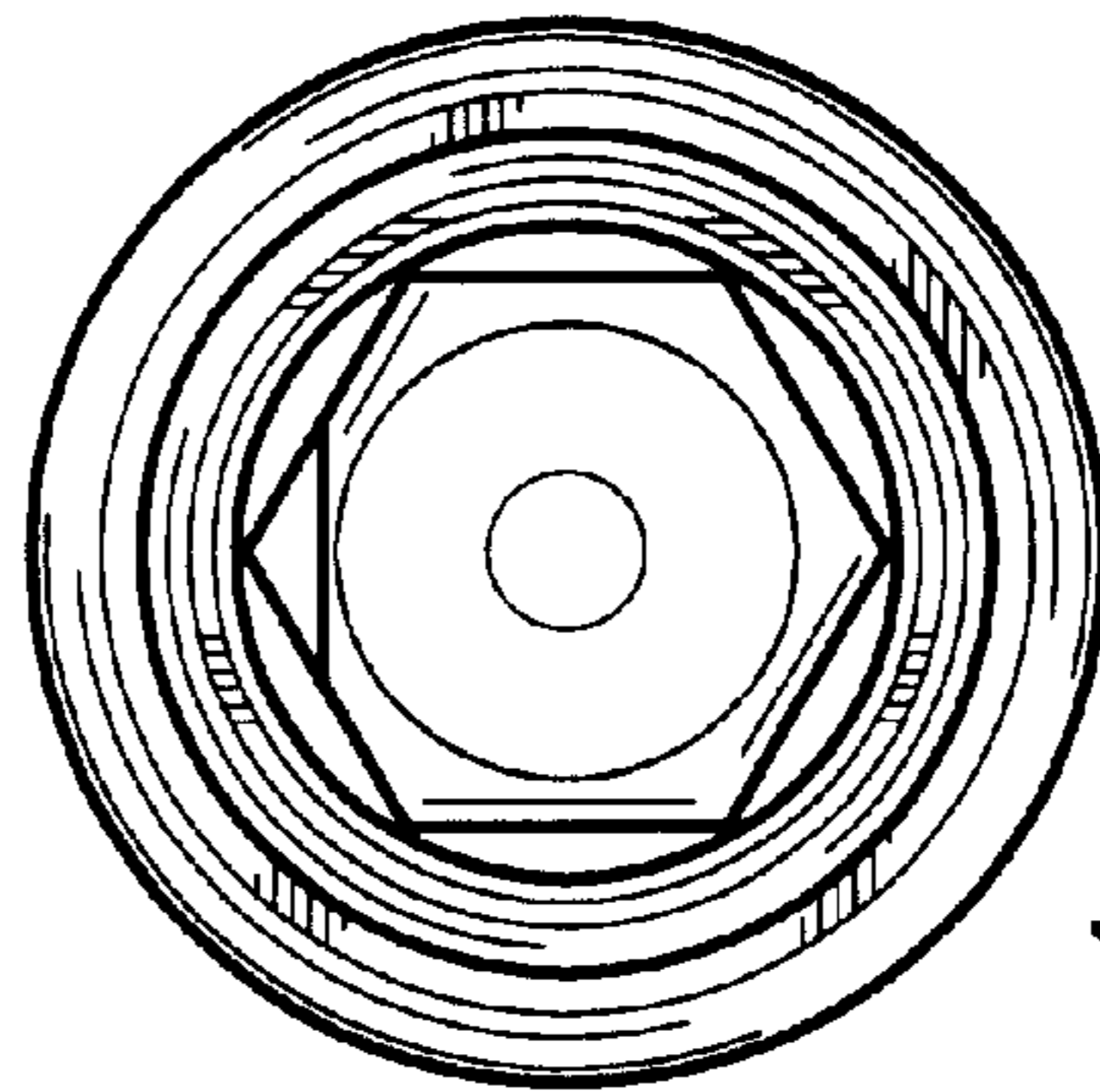


Figure - 4

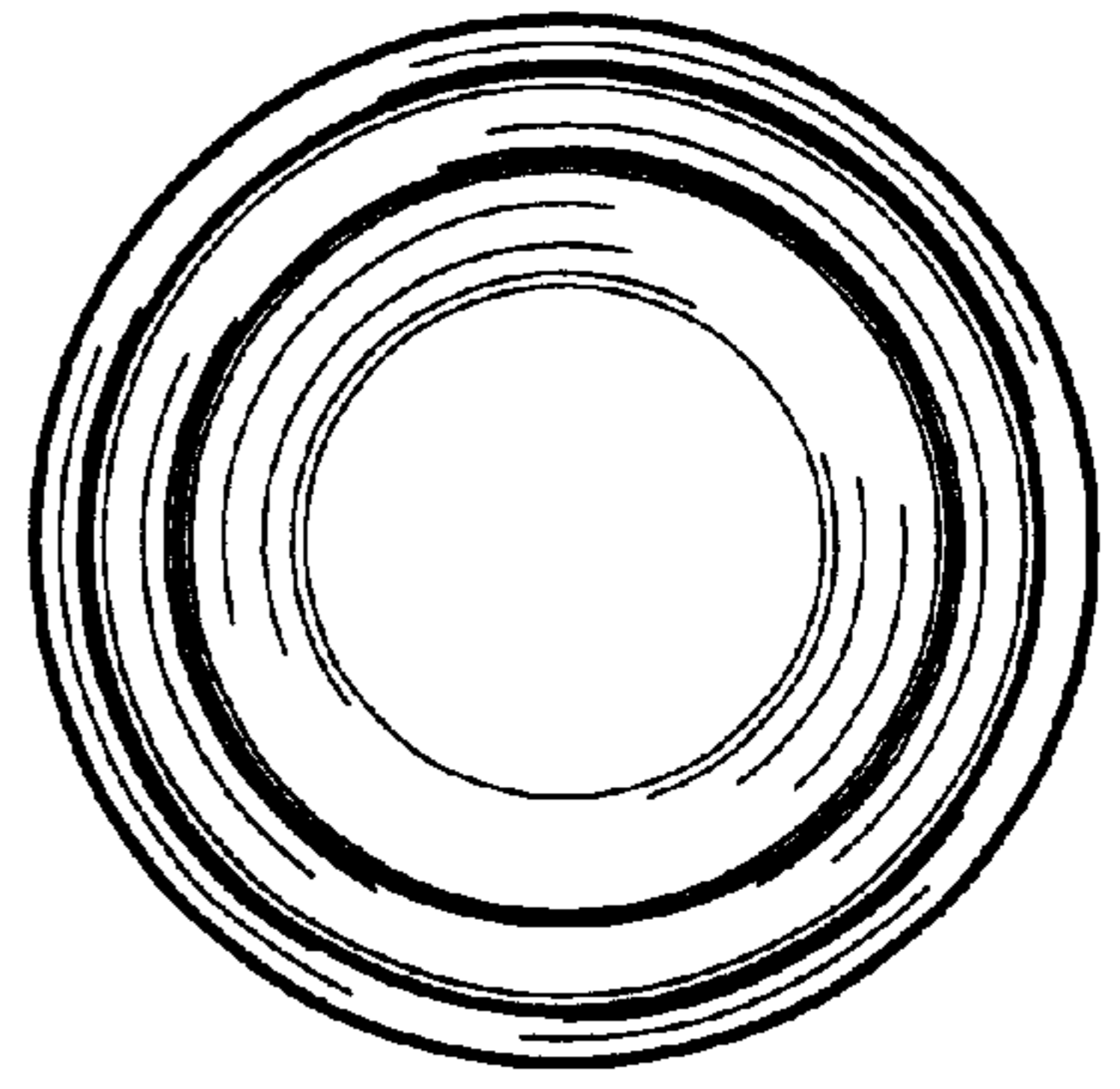


Figure - 5

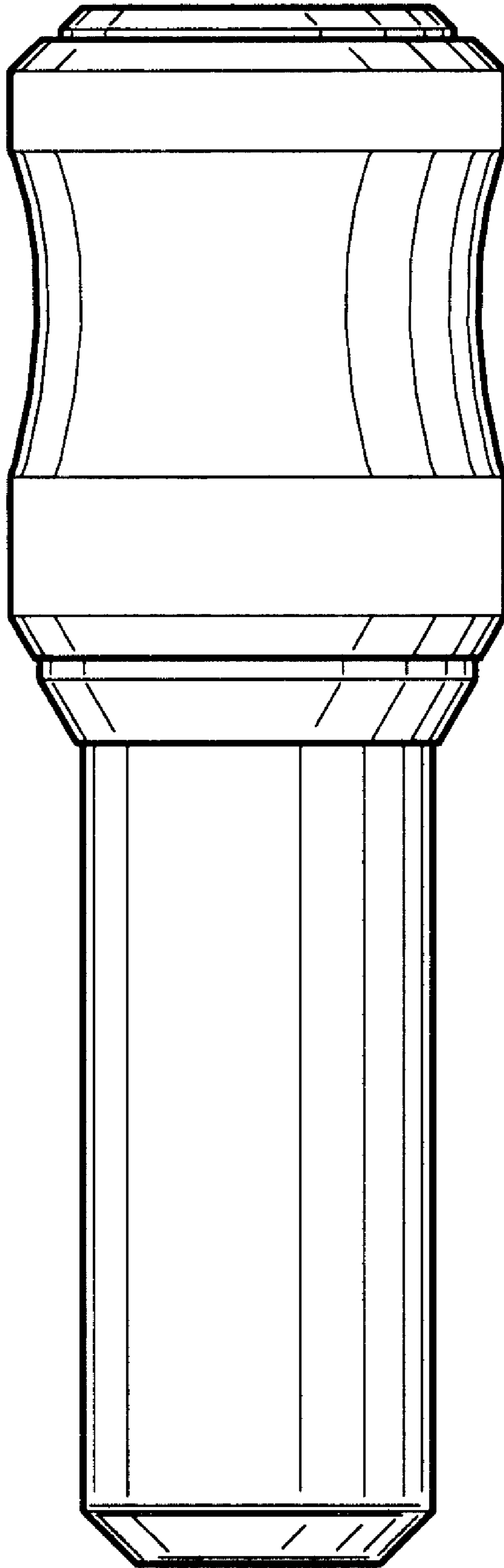


Figure - 6