



US00D457044S

(12) **United States Design Patent**
Cheng

(10) **Patent No.:** **US D457,044 S**

(45) **Date of Patent:** **** May 14, 2002**

(54) **HOT AIR BLOWER**

(76) Inventor: **Chuan-Hsin Cheng**, 5F,No.
637-1,Sec.5, Chung-Hsin Road,
San-Chung City, Taipei Hsien (TW)

(**) Term: **14 Years**

(21) Appl. No.: **29/141,151**

(22) Filed: **Apr. 30, 2001**

(51) **LOC (7) Cl.** **08-05**

(52) **U.S. Cl.** **D8/29.1**

(58) **Field of Search** D8/29.1, 29.2,
D8/30; 219/222, 225, 227; 392/383, 384,
385; D28/13

(56) **References Cited**

U.S. PATENT DOCUMENTS

4,629,864 A	*	12/1986	Wilson	392/385
D293,020 S	*	12/1987	Steinel et al.	D8/29.1
D296,070 S	*	6/1988	Cunningham	D8/29.1
D297,397 S	*	8/1988	Pagani	D8/29.1
D297,398 S	*	8/1988	Pagani	D8/29.1

D322,742 S	*	12/1991	Spratt	D8/29.1
D334,876 S	*	4/1993	Swetish	D8/29.1
D388,297 S	*	12/1997	Buttenbender	D8/29.1
D388,298 S	*	12/1997	Jerdee et al.	D8/29.1

* cited by examiner

Primary Examiner—Philip S. Hyder
(74) *Attorney, Agent, or Firm*—Pro-Techtor International
Services

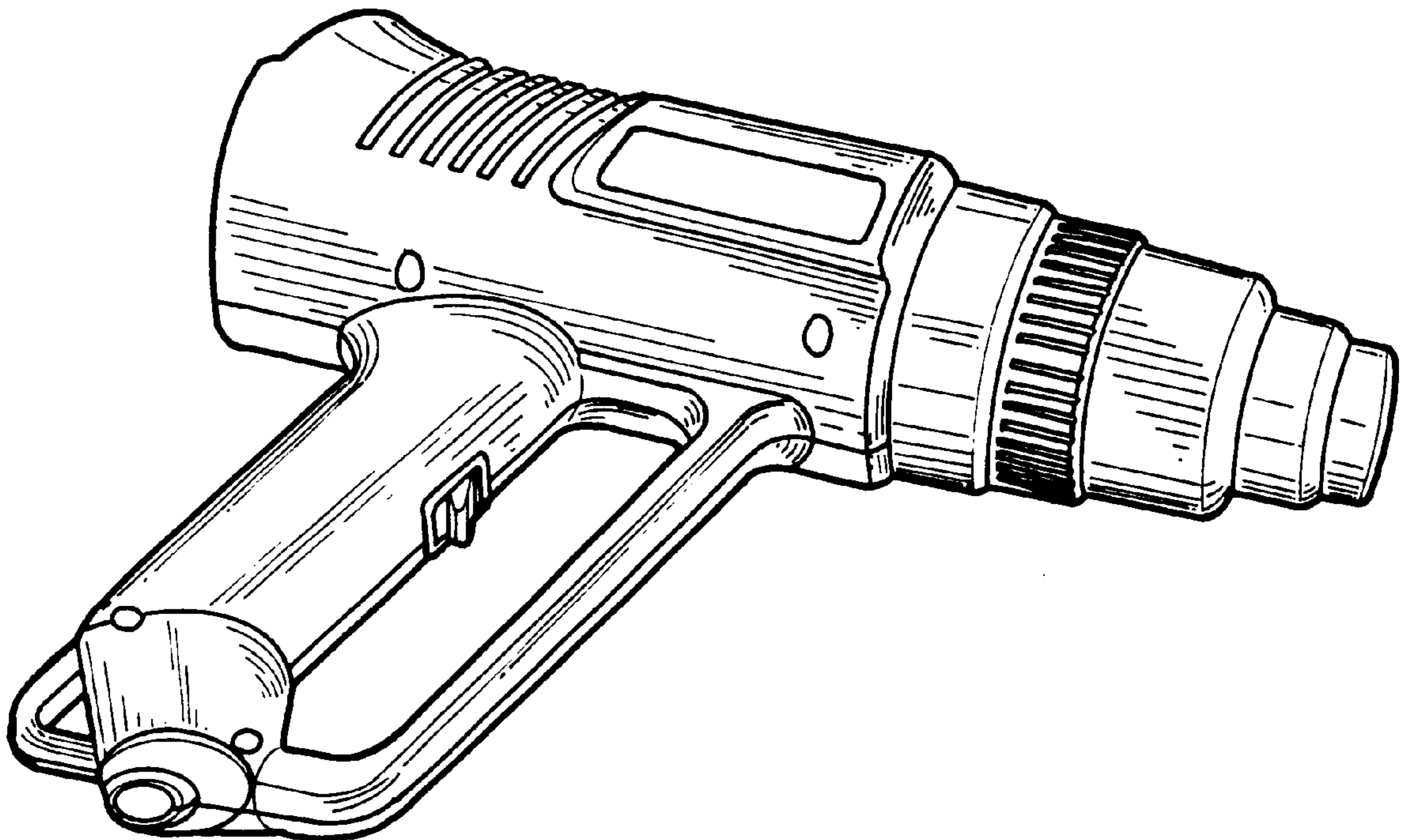
(57) **CLAIM**

The ornamental design for a hot air blower, as shown and described.

DESCRIPTION

FIG. 1. is the front elevational view thereof.
FIG. 2. is the rear elevational view thereof.
FIG. 3. is the left side elevational view thereof;
FIG. 4. is the right side elevational view thereof.
FIG. 5. is the top plan view thereof.
FIG. 6. is the bottom plan view thereof; and,
FIG. 7. is a perspective view of the hot air blower according to my new design.

1 Claim, 5 Drawing Sheets



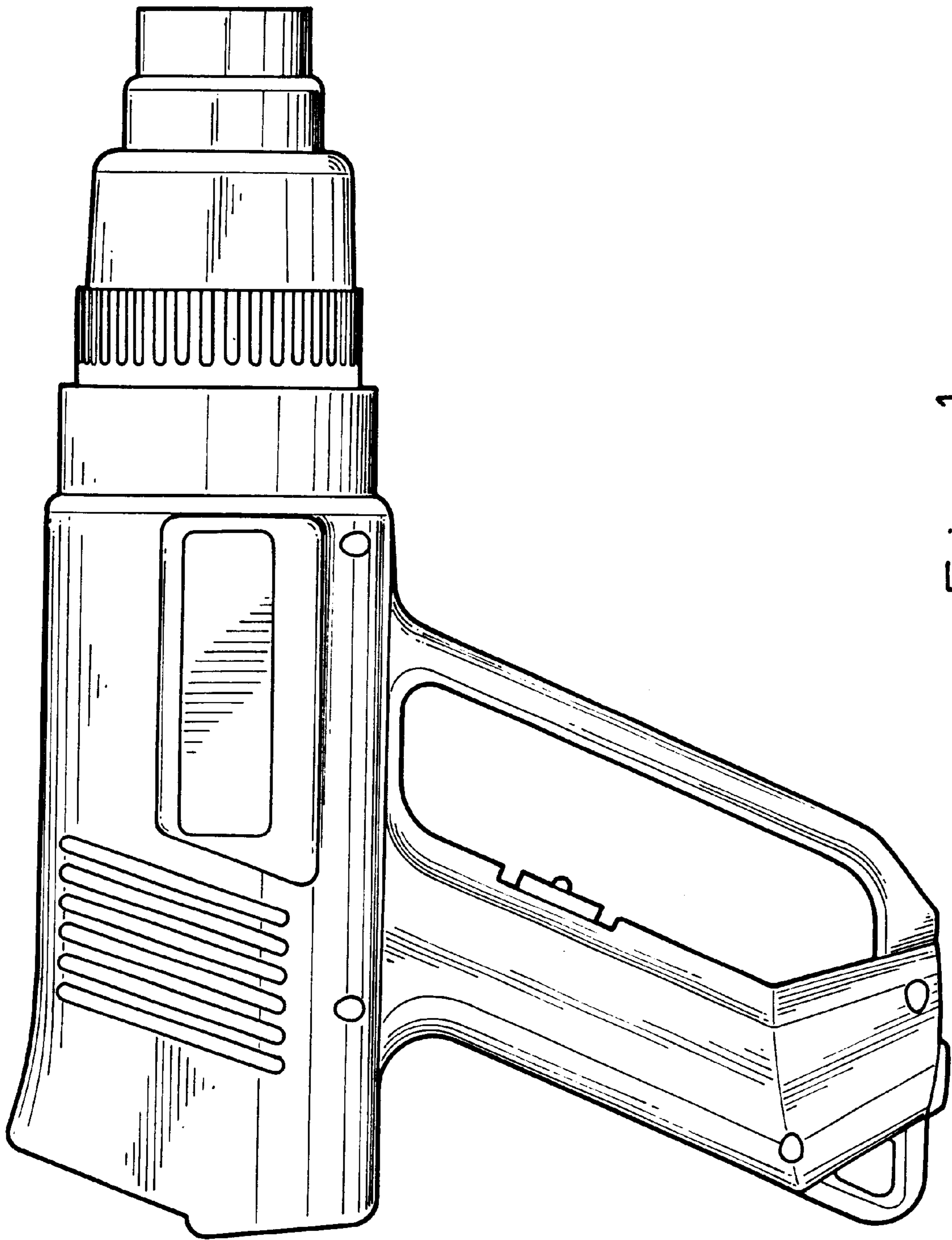


Fig. 1

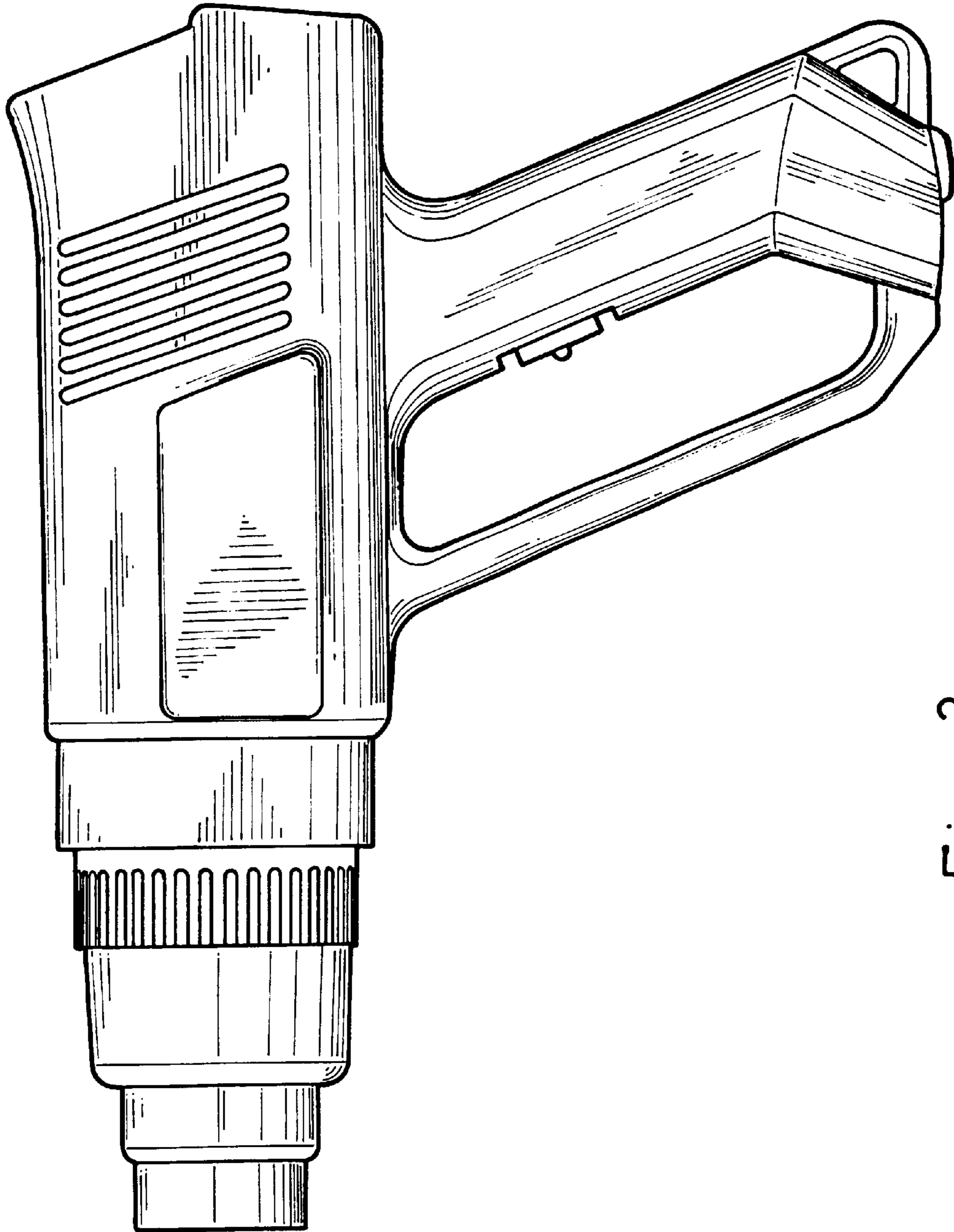


Fig. 2

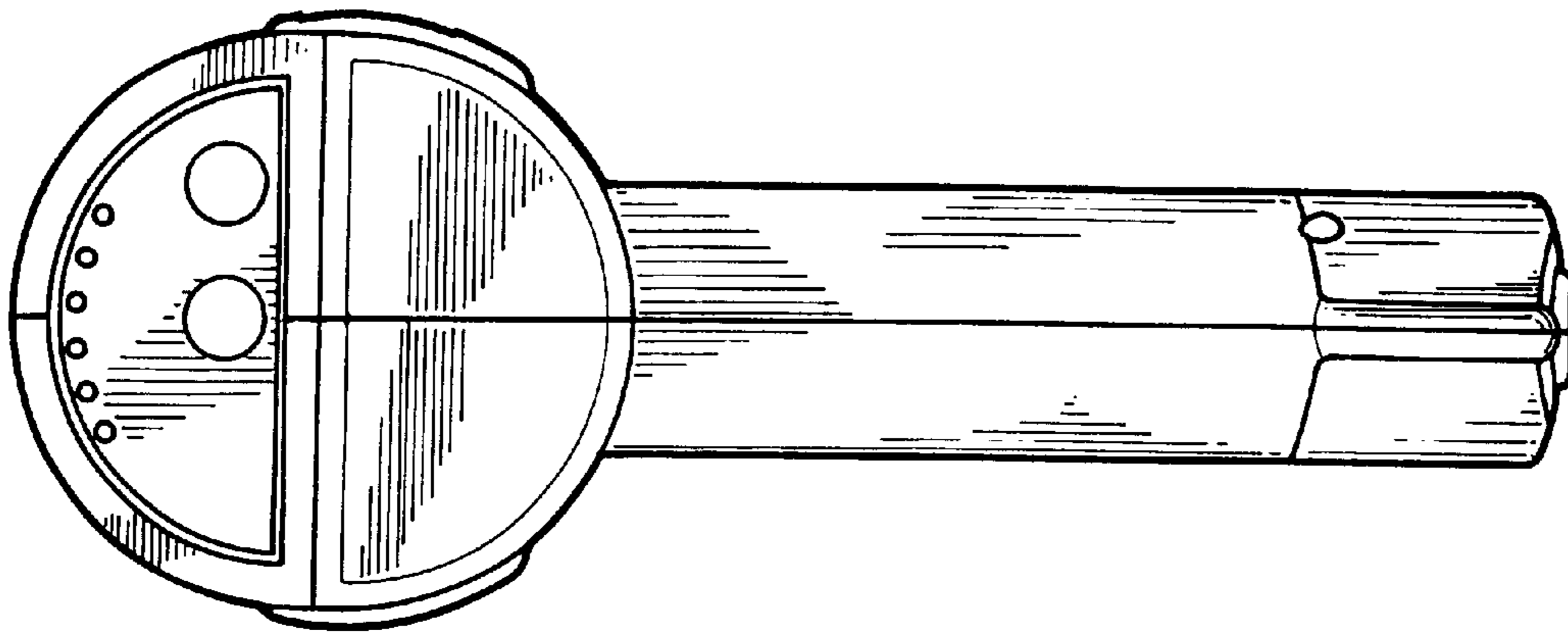


Fig. 3

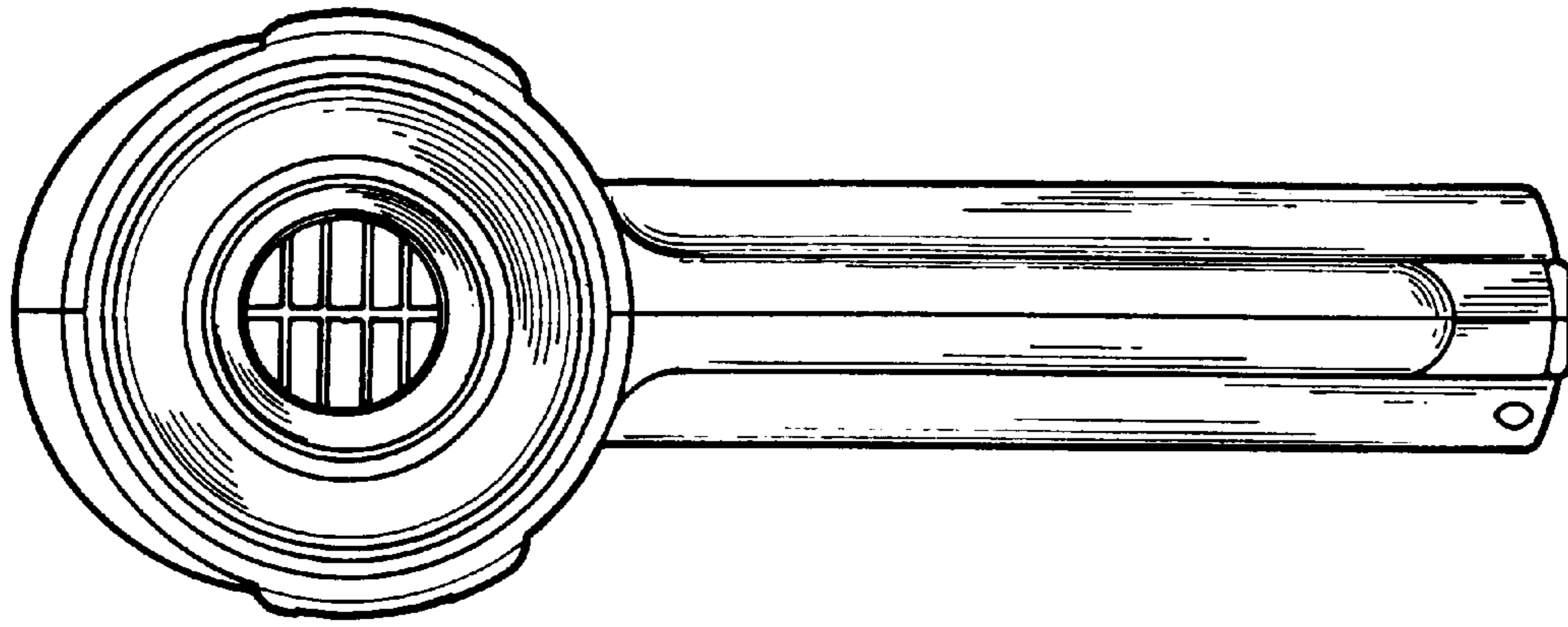


Fig. 4

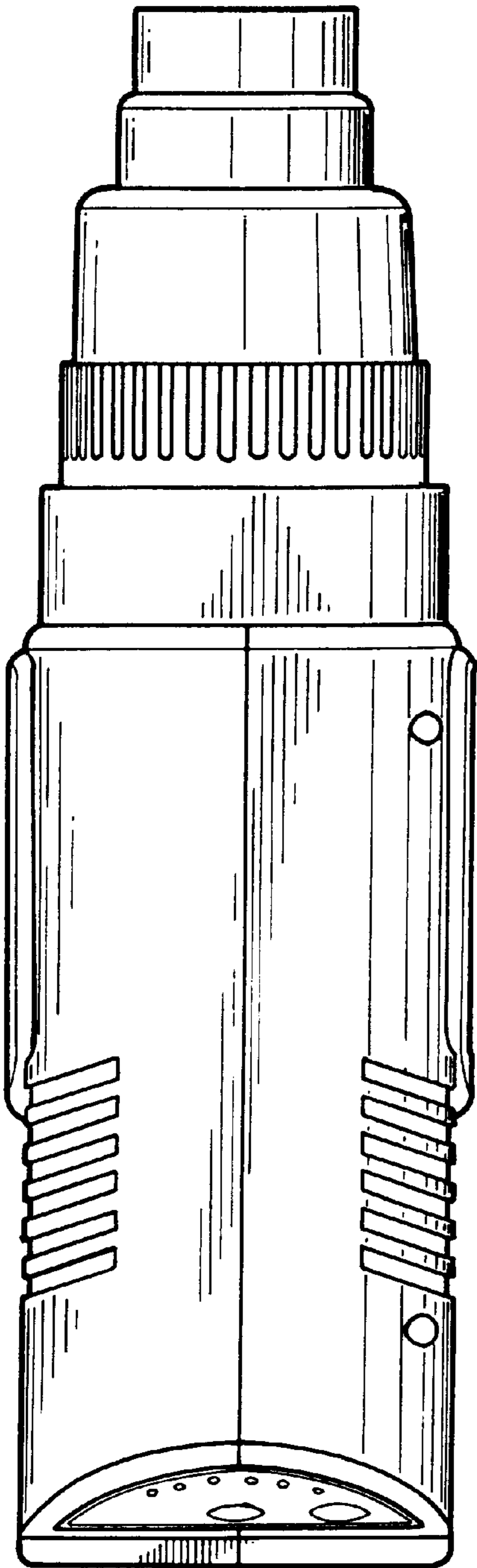


Fig. 5

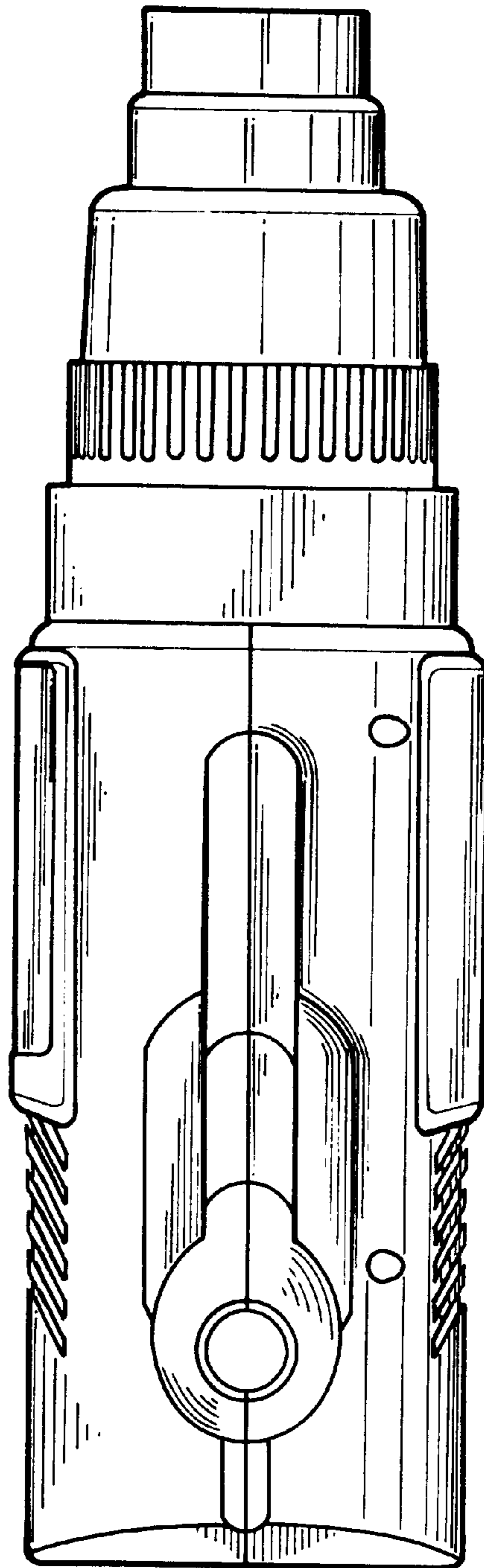


Fig. 6

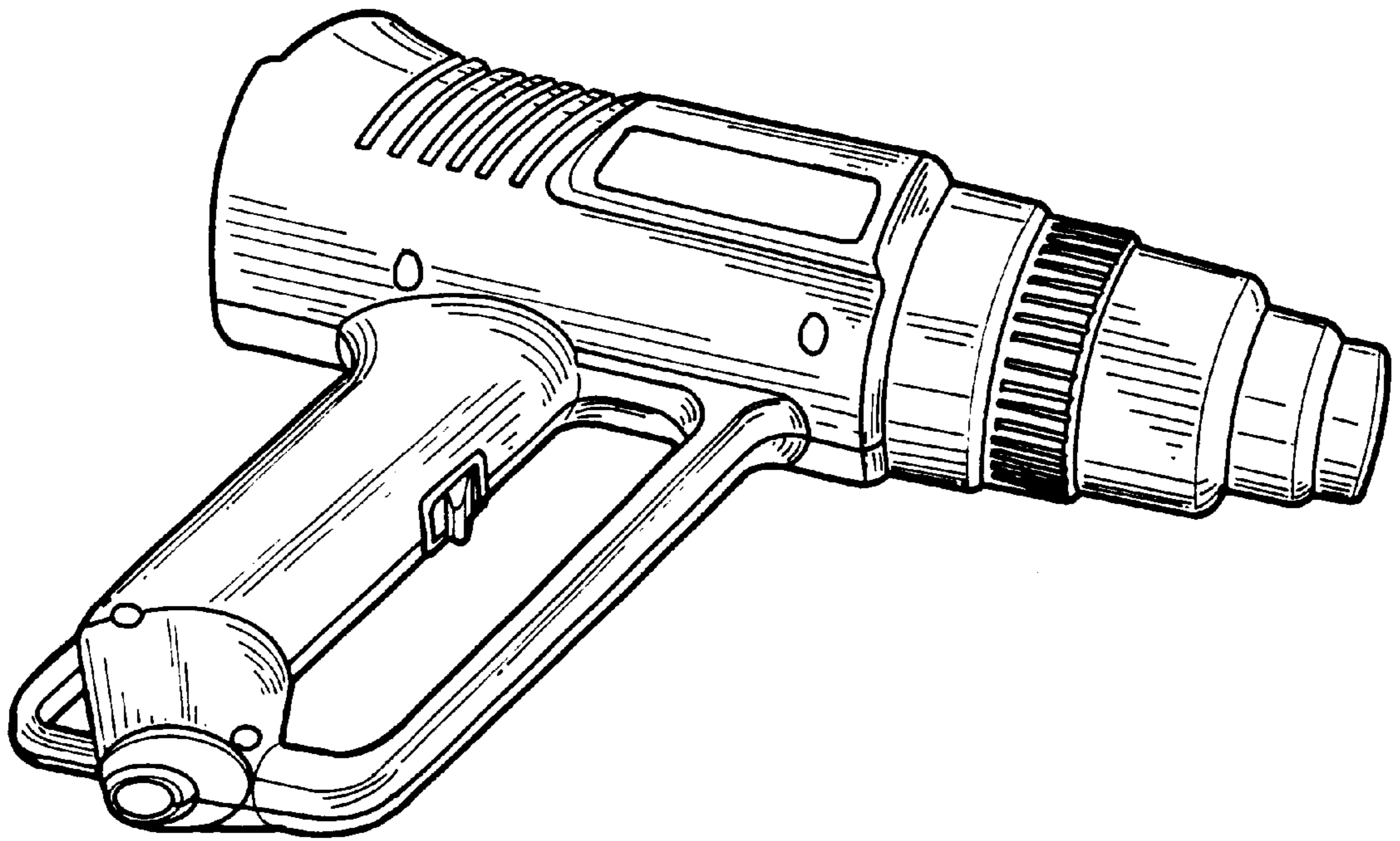


Fig. 7