



US00D457042S

(12) **United States Design Patent**  
**Jong**

(10) **Patent No.:** **US D457,042 S**

(45) **Date of Patent:** **\*\* May 14, 2002**

(54) **LAWN MOWER**

(75) **Inventor:** **Jung-Chang Jong, Chungli (TW)**

(73) **Assignee:** **Jenn Feng Industrial Co., Ltd.,  
Taoyuan (TW)**

(\*\*) **Term:** **14 Years**

(21) **Appl. No.:** **29/139,408**

(22) **Filed:** **Mar. 28, 2001**

(51) **LOC (7) Cl.** ..... **08-01**

(52) **U.S. Cl.** ..... **D8/8**

(58) **Field of Search** ..... D8/1, 8, 9; 30/276,  
30/DIG. 5; 172/13, 15, 16, 17

(56) **References Cited**

**U.S. PATENT DOCUMENTS**

5,615,970	A	*	4/1997	Reekie et al.	
D379,748	S	*	6/1997	Reekie et al.	
D380,129	S	*	6/1997	Meisner et al.	
5,771,582	A	*	6/1998	Tuggle	30/276
D398,817	S	*	9/1998	Meisner et al.	
D414,388	S	*	9/1999	Wright	
6,116,349	A	*	9/2000	Wilson	30/DIG. 5

D440,131	S	*	4/2001	Aglassinger et al.	D8/8
D446,699	S	*	8/2001	Marshall et al.	D8/8
D450,226	S	*	11/2001	Martin	D8/8

**OTHER PUBLICATIONS**

Black and Decker catalog 1990–1991; #82300 Bump Feed  
Yard Trimmer.\*

\* cited by examiner

*Primary Examiner*—Robin V. Taylor

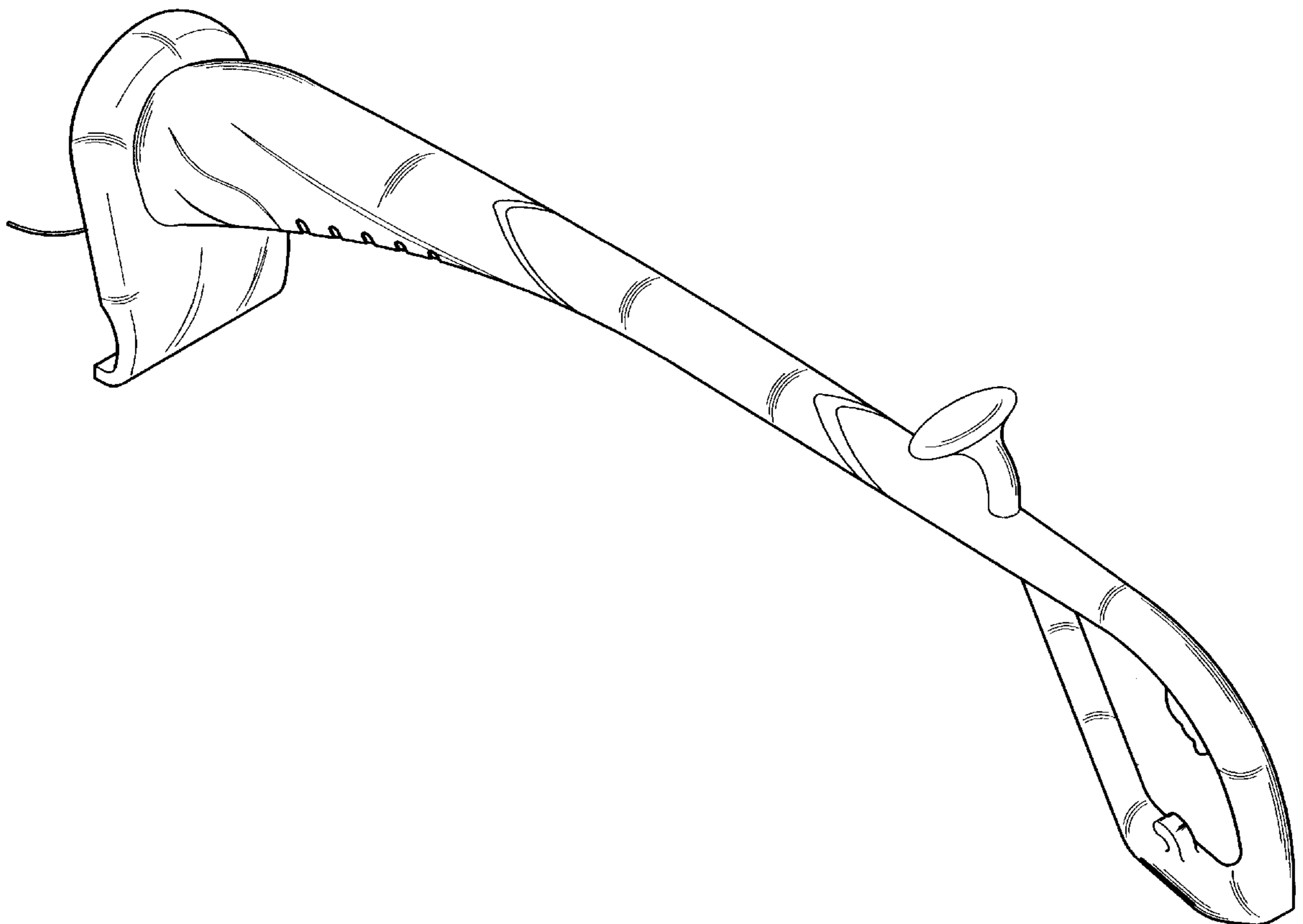
(57) **CLAIM**

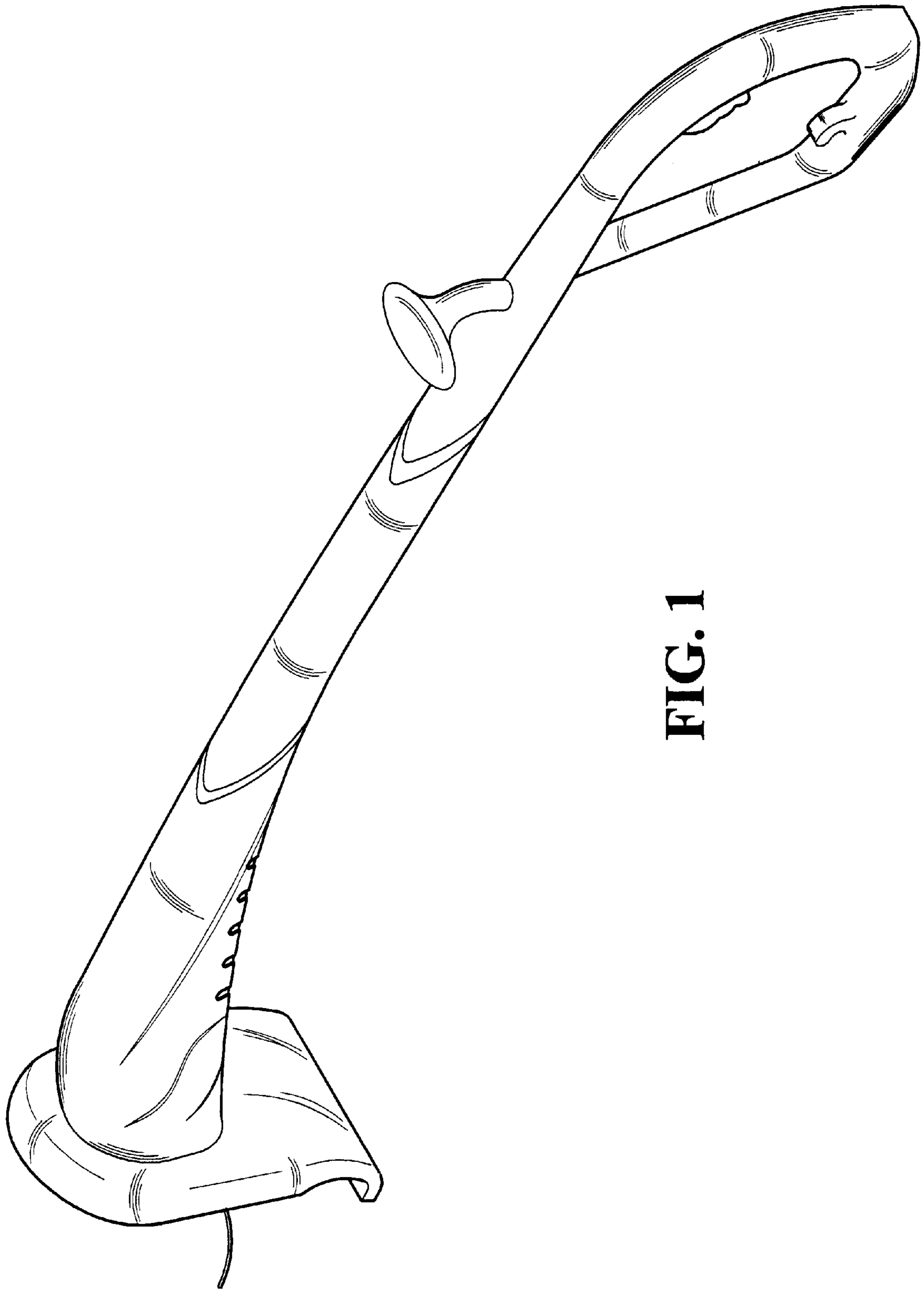
The ornamental design for lawn mower, as shown and  
described.

**DESCRIPTION**

FIG. 1 is a perspective view of lawn mower showing my  
new design;  
FIG. 2 is a front elevational view thereof;  
FIG. 3 is a rear elevational view thereof;  
FIG. 4 is a left side elevational view thereof;  
FIG. 5 is right side elevational view thereof;  
FIG. 6 is a top view thereof; and,  
FIG. 7 is a bottom view thereof.

**1 Claim, 7 Drawing Sheets**





**FIG. 1**

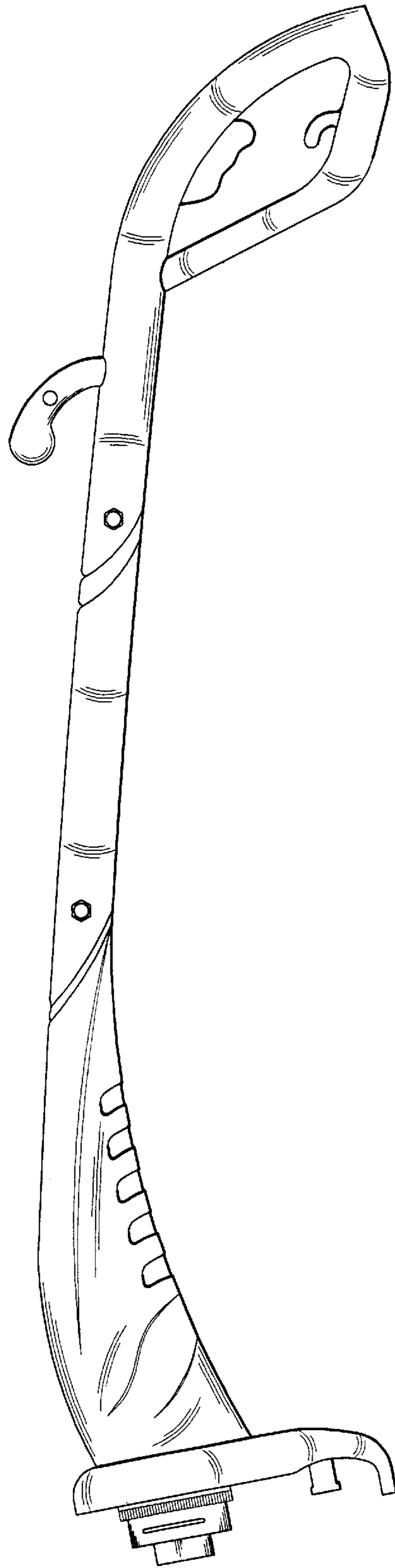


FIG. 2

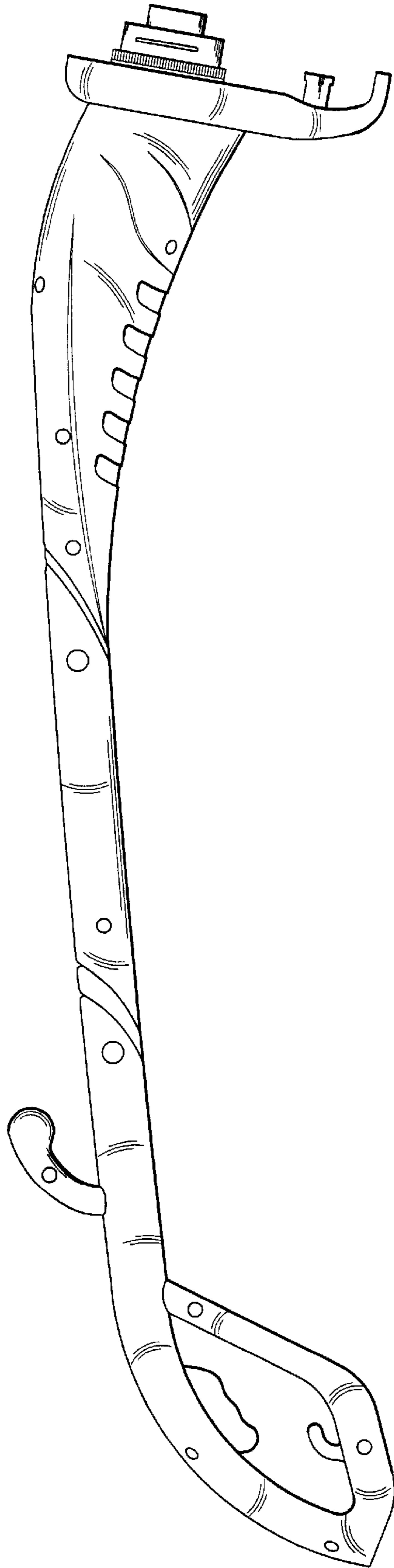
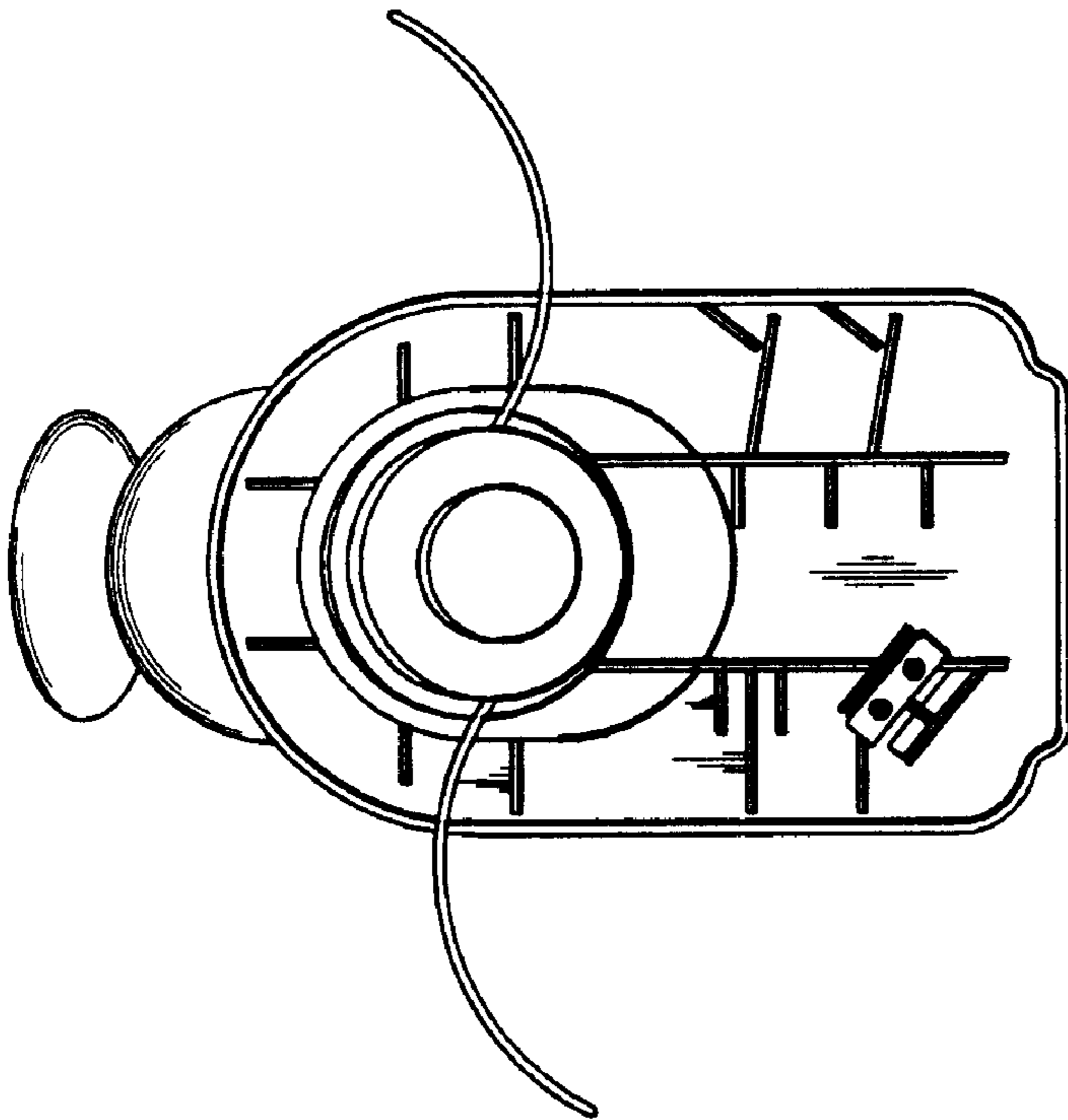
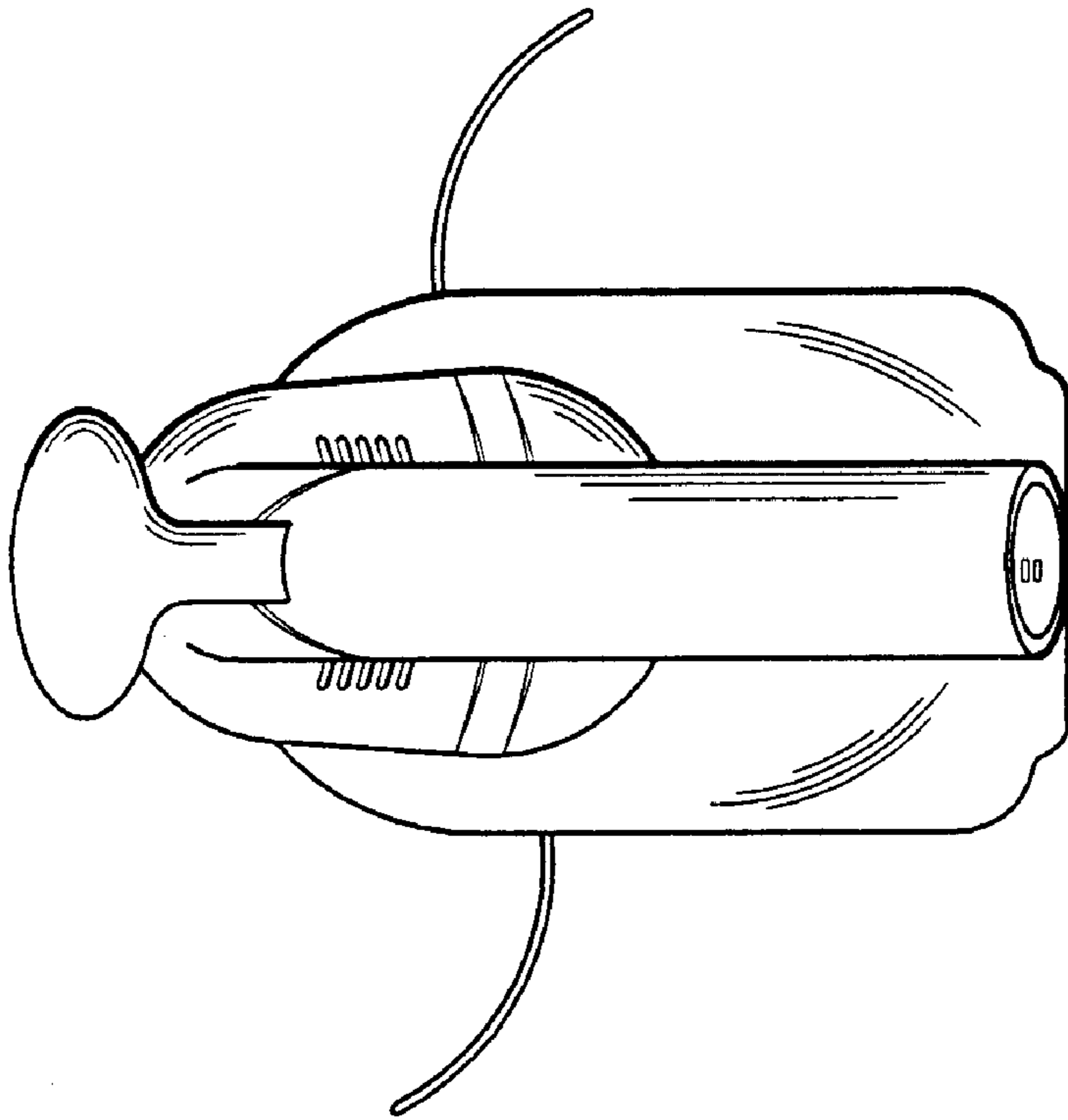


FIG. 3



**FIG. 4**



**FIG. 5**

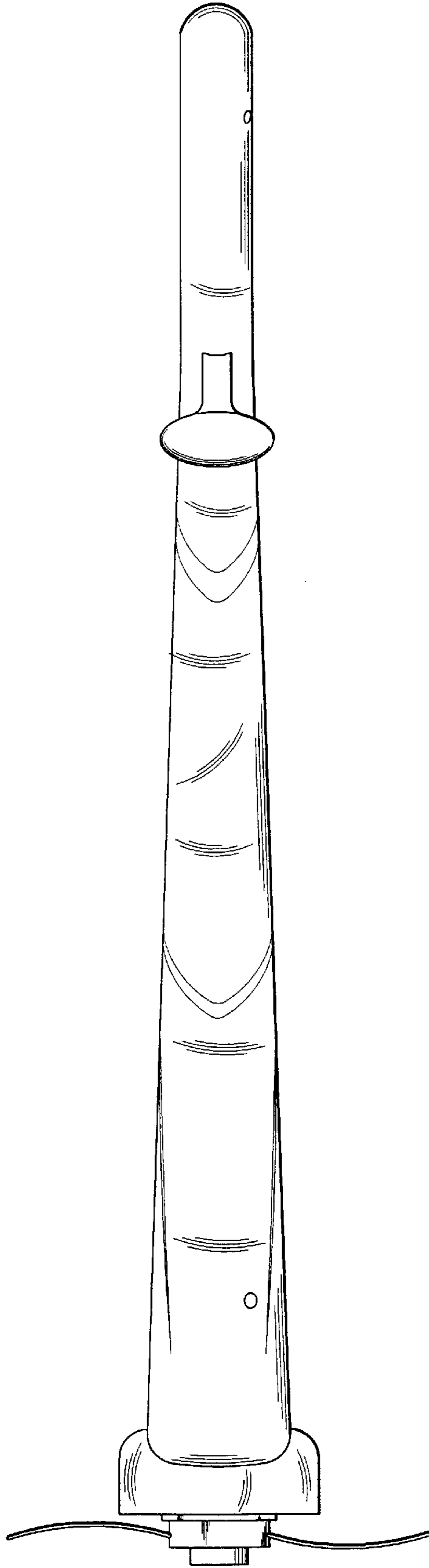


FIG. 6

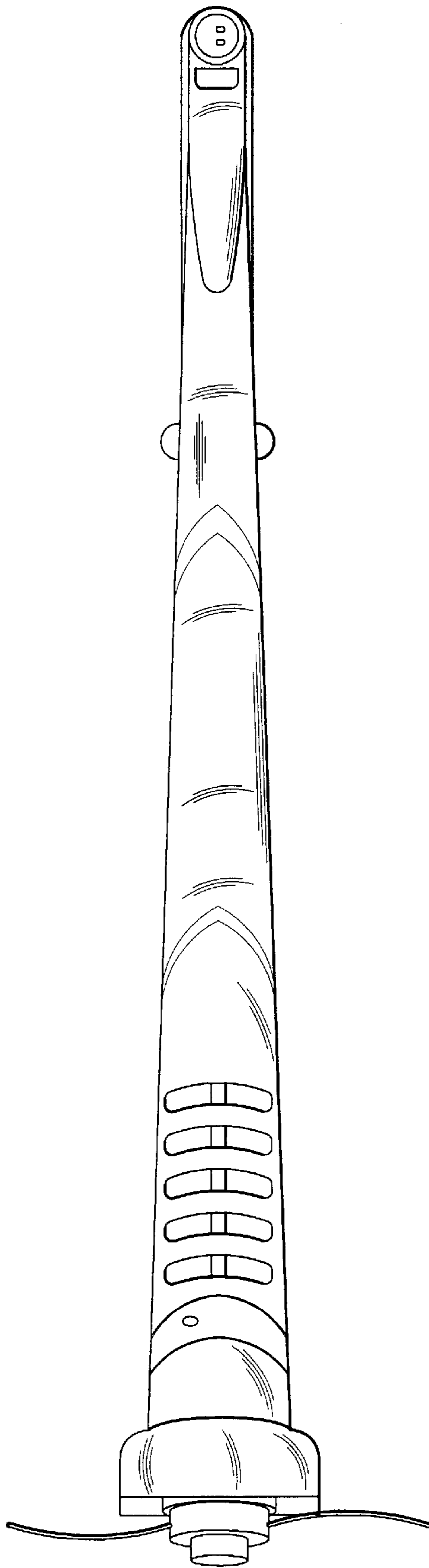


FIG. 7