



US00D457041S

(12) **United States Design Patent**
Chai

(10) **Patent No.:** **US D457,041 S**

(45) **Date of Patent:** **** May 14, 2002**

(54) **SHEARS**

(76) Inventor: **Peter Chai**, 1218 Devon Pl., Diamond Bar, CA (US) 91765

(**) Term: **14 Years**

(21) Appl. No.: **29/132,340**

(22) Filed: **Jan. 3, 2001**

(51) **LOC (7) Cl.** **08-01**

(52) **U.S. Cl.** **D8/5**

(58) **Field of Search** D8/1, 4, 5; 30/287, 30/252, 261, 262

(56) **References Cited**

U.S. PATENT DOCUMENTS

- D305,858 S * 2/1990 Ishida et al. D8/5
- D307,097 S * 4/1990 Jasperson D8/5
- D353,524 S * 12/1994 Her D8/5

- 5,426,857 A * 6/1995 Linden 30/262
- D433,888 S * 11/2000 Choi D8/5
- D439,117 S * 3/2001 Deville D8/5

* cited by examiner

Primary Examiner—Robin V. Taylor

(74) *Attorney, Agent, or Firm*—Clement Cheng

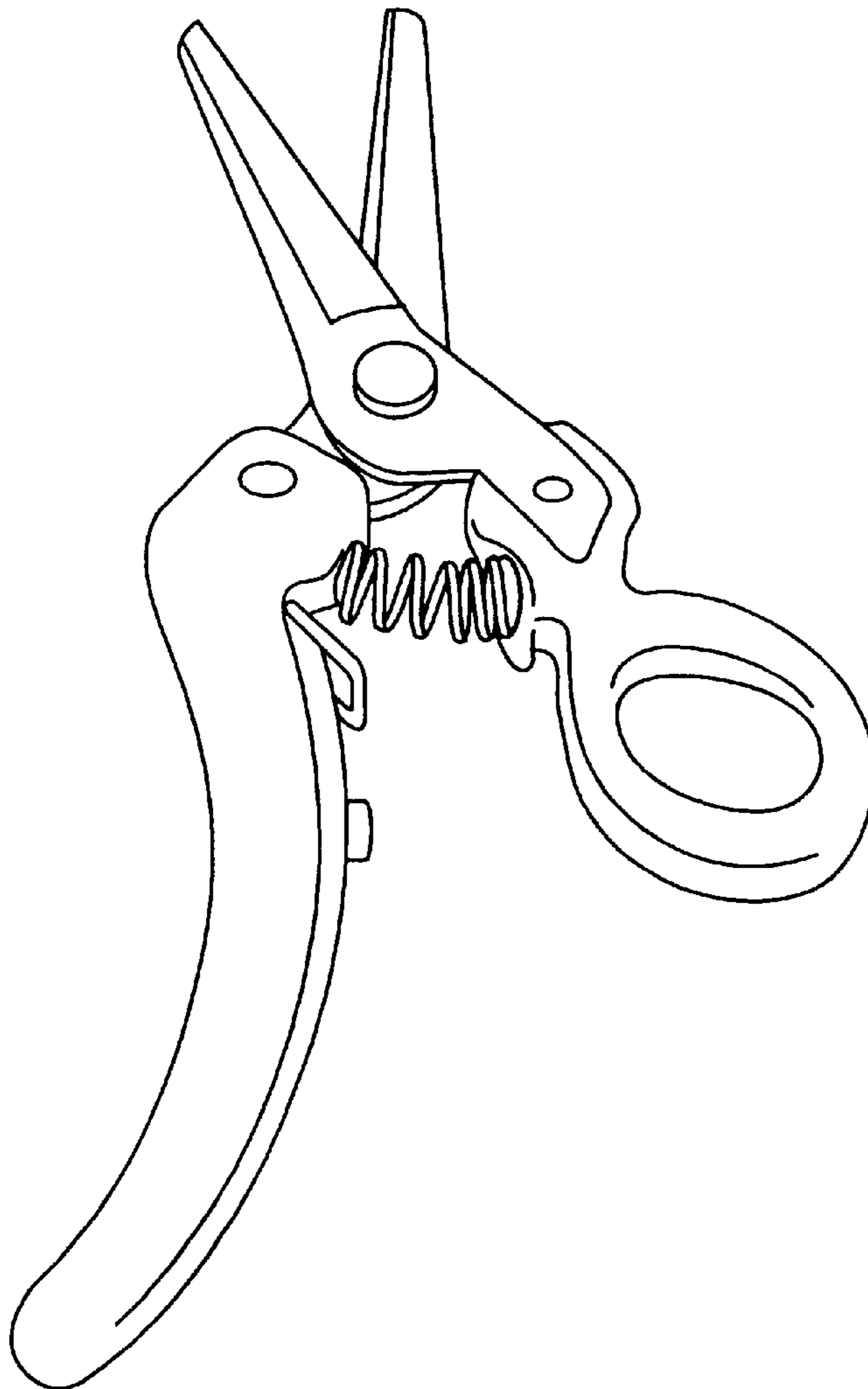
(57) **CLAIM**

The ornamental design for a shears, as shown and described.

DESCRIPTION

FIG. 1 is a front elevational view of the shears in its open configuration showing my new design;
 FIG. 2 is a perspective view;
 FIG. 3 is a front elevational view in closed configuration;
 FIG. 4 is a rear elevational view; and,
 FIG. 5 is a side elevational view.

1 Claim, 2 Drawing Sheets



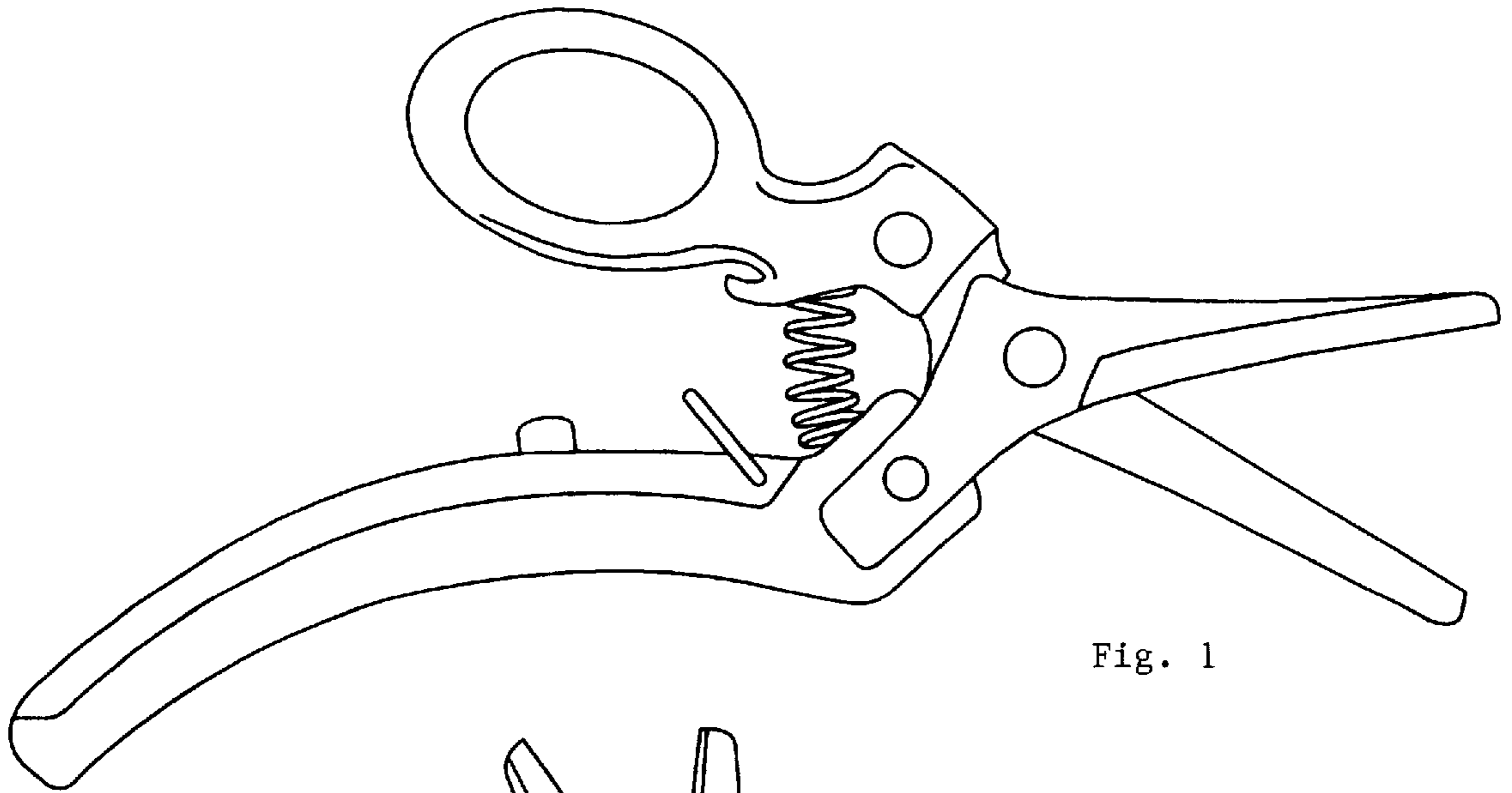


Fig. 1

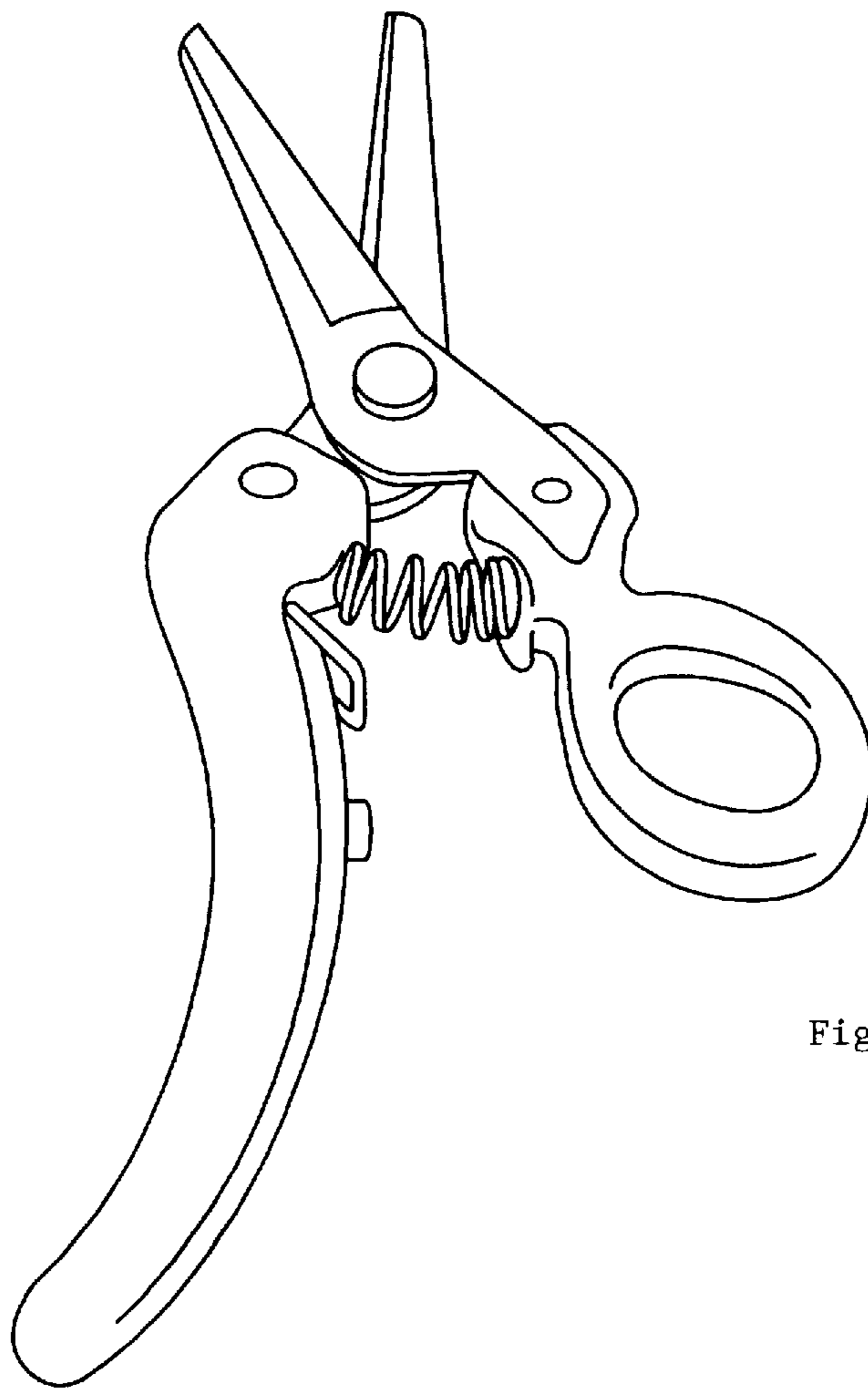


Fig. 2

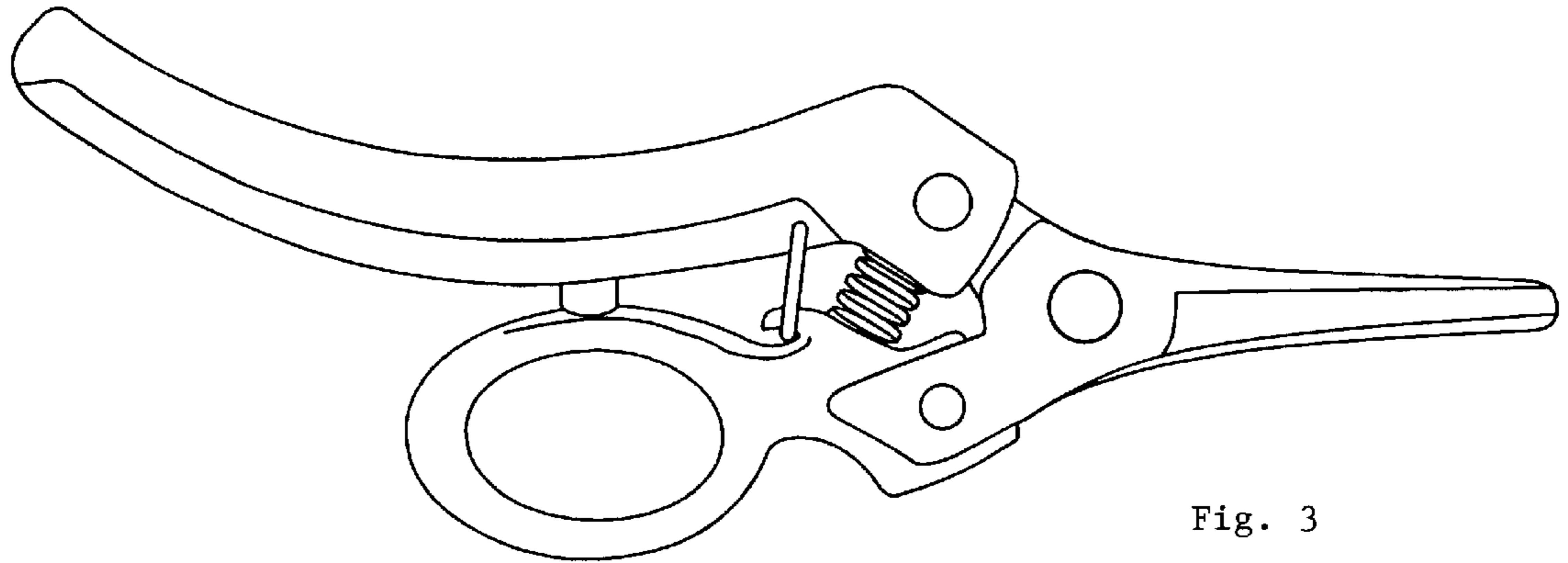


Fig. 3

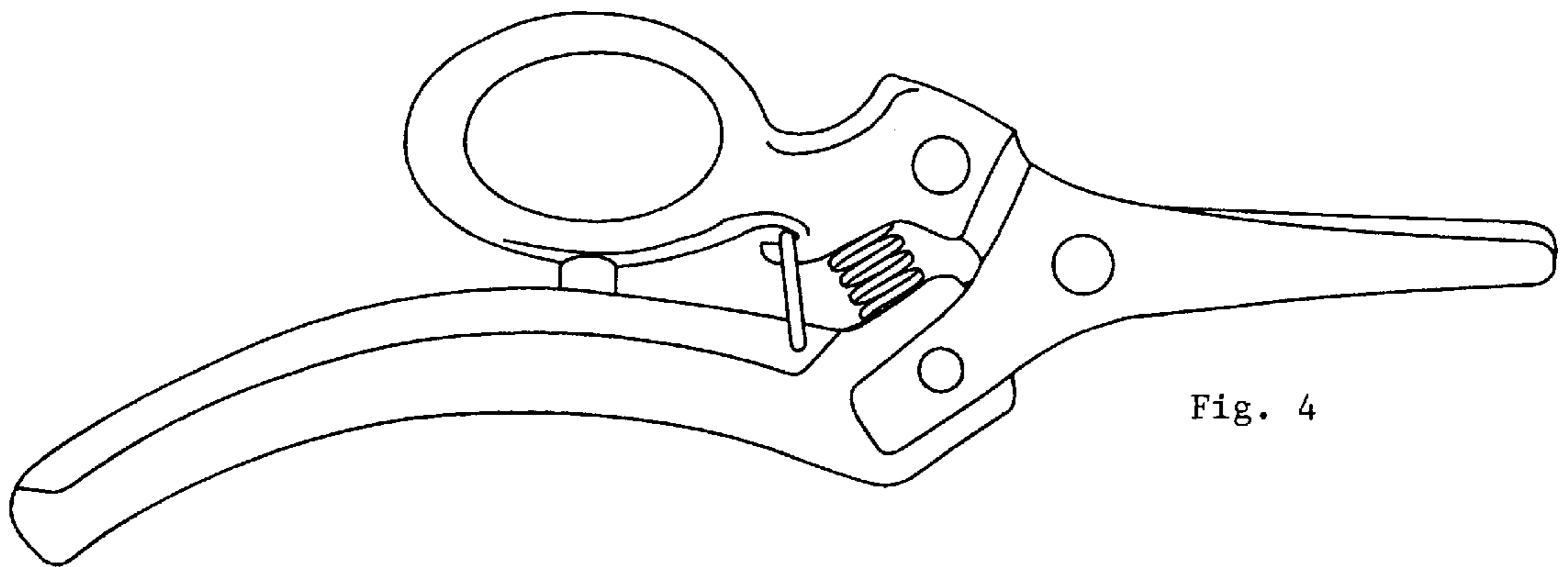


Fig. 4

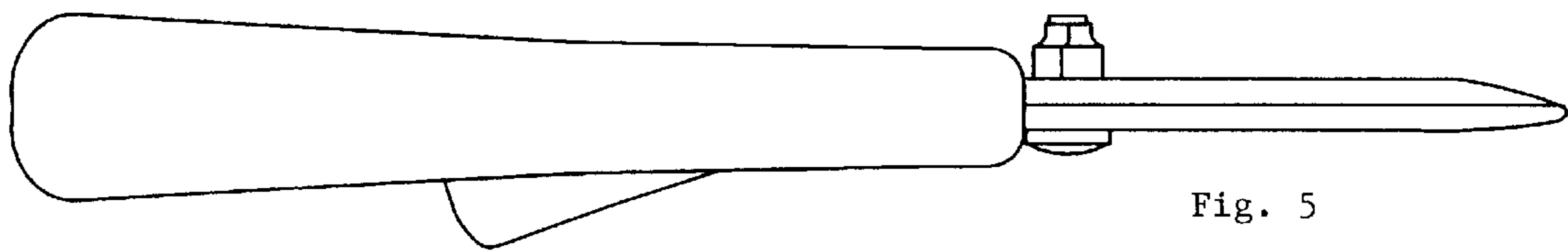


Fig. 5