



US00D457038S

(12) **United States Design Patent**
Umans et al.

(10) **Patent No.: US D457,038 S**

(45) **Date of Patent: ** May 14, 2002**

(54) **COOLER**

(75) Inventors: **Rick Umans**, Creskill, NJ (US); **Symon Chan**, Hong Kong (HK)

(73) Assignee: **Polyconcept USA, Inc.**, Stamford, CT (US)

(**) Term: **14 Years**

(21) Appl. No.: **29/133,392**

(22) Filed: **Nov. 29, 2000**

(51) **LOC (7) Cl.** **07-01**

(52) **U.S. Cl.** **D7/605**

(58) **Field of Search** D7/605-608; 62/457.1, 62/457.7, 371, 372; 220/592.2, 592.24-592.27, 915.1, 915.2; D3/201, 203, 205, 206, 273, 274, 276, 283, 291, 294

(56) **References Cited**

U.S. PATENT DOCUMENTS

- 5,064,088 A * 11/1991 Steffes 220/915.2
- D351,318 S * 10/1994 Wedi D7/605
- D367,404 S * 2/1996 Scheffer et al. D7/605

* cited by examiner

Primary Examiner—Terry A. Wallace

(74) *Attorney, Agent, or Firm*—Notaro & Michalos P.C.

(57) **CLAIM**

The ornamental design for a cooler, as shown and described in the above-identified application.

DESCRIPTION

FIG. 1 is a front elevational view of a cooler showing our new design therefor;

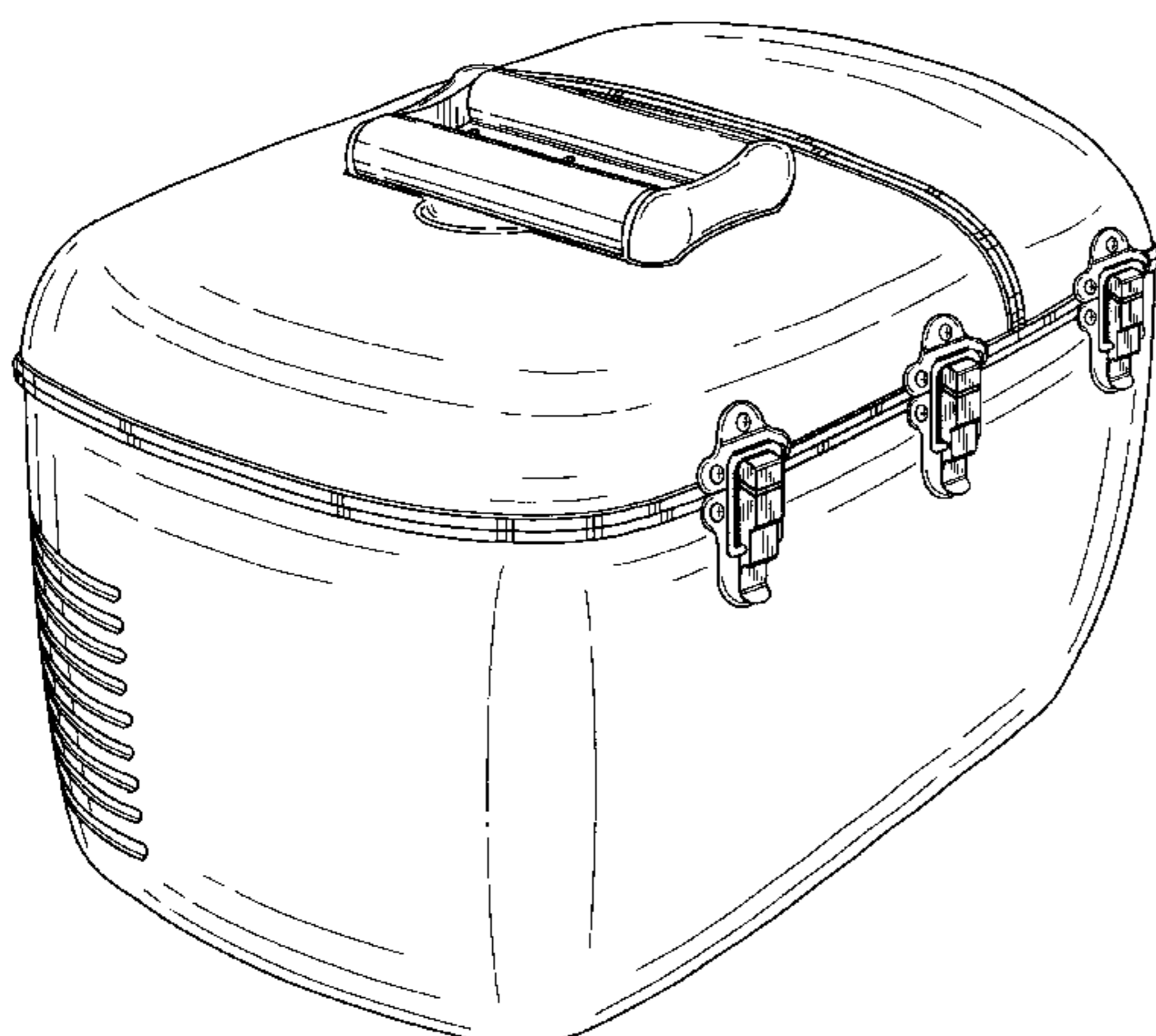


FIG. 2 is a top plan view thereof;

FIG. 3 is a left side elevational view thereof;

FIG. 4 is a right side elevational view thereof with a part shown in phantom-line as environment, forming no part of the design;

FIG. 5 is a rear elevational view thereof with a part shown in phantom-line as environment, forming no part of the design;

FIG. 6 is a front left top perspective view thereof;

FIG. 7 is a rear right top elevational view thereof with a part shown in phantom-line as environment, forming no part of the design;

FIG. 8 is a front right top perspective view thereof, with both top lids open and with parts shown in phantom-line as environment, forming no part of the design;

FIG. 9 is a rear elevational view thereof, with both top lids open and with a part shown in phantom-line as environment, forming no part of the design;

FIG. 10 is a top plan view thereof, with both top lids open and with parts shown in phantom-line as environment, forming no part of the design;

FIG. 11 is a front elevational view thereof, with both top lids open and with parts shown in phantom-line as environment, forming no part of the design;

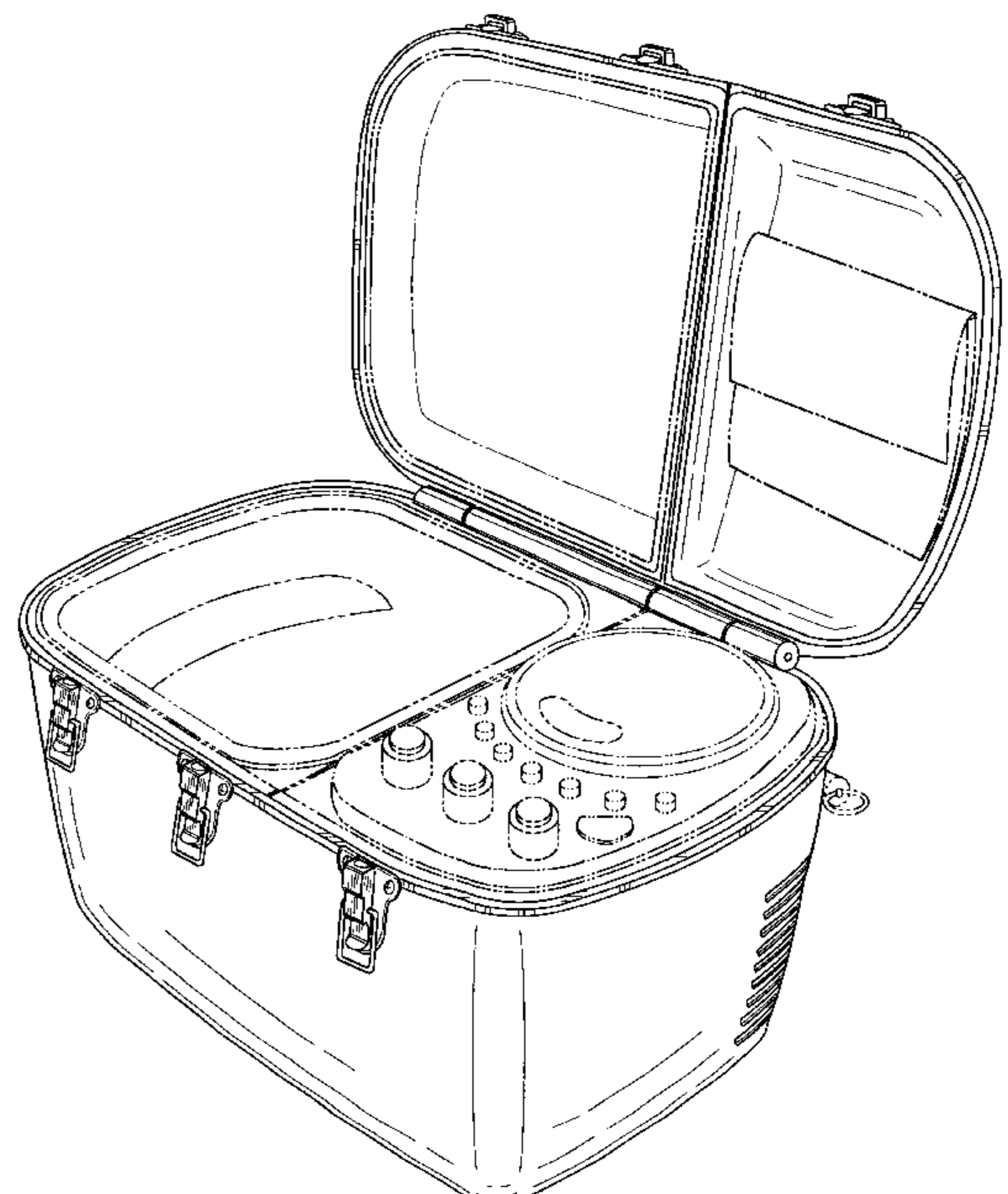
FIG. 12 is a left side elevational view thereof, with both top lids open and with parts shown in phantom-line as environment, forming no part of the design;

FIG. 13 is a right side elevational view thereof, with both top lids open and with parts shown in phantom-line as environment, forming no part of the design;

FIG. 14 is a view similar to FIG. 7, but with both top lids open and with parts shown in phantom-line as environment, forming no part of the design; and,

FIG. 15 is a rear left top perspective view thereof, with both lids closed and with a part shown in phantom-line as environment, forming no part of the design.

1 Claim, 15 Drawing Sheets



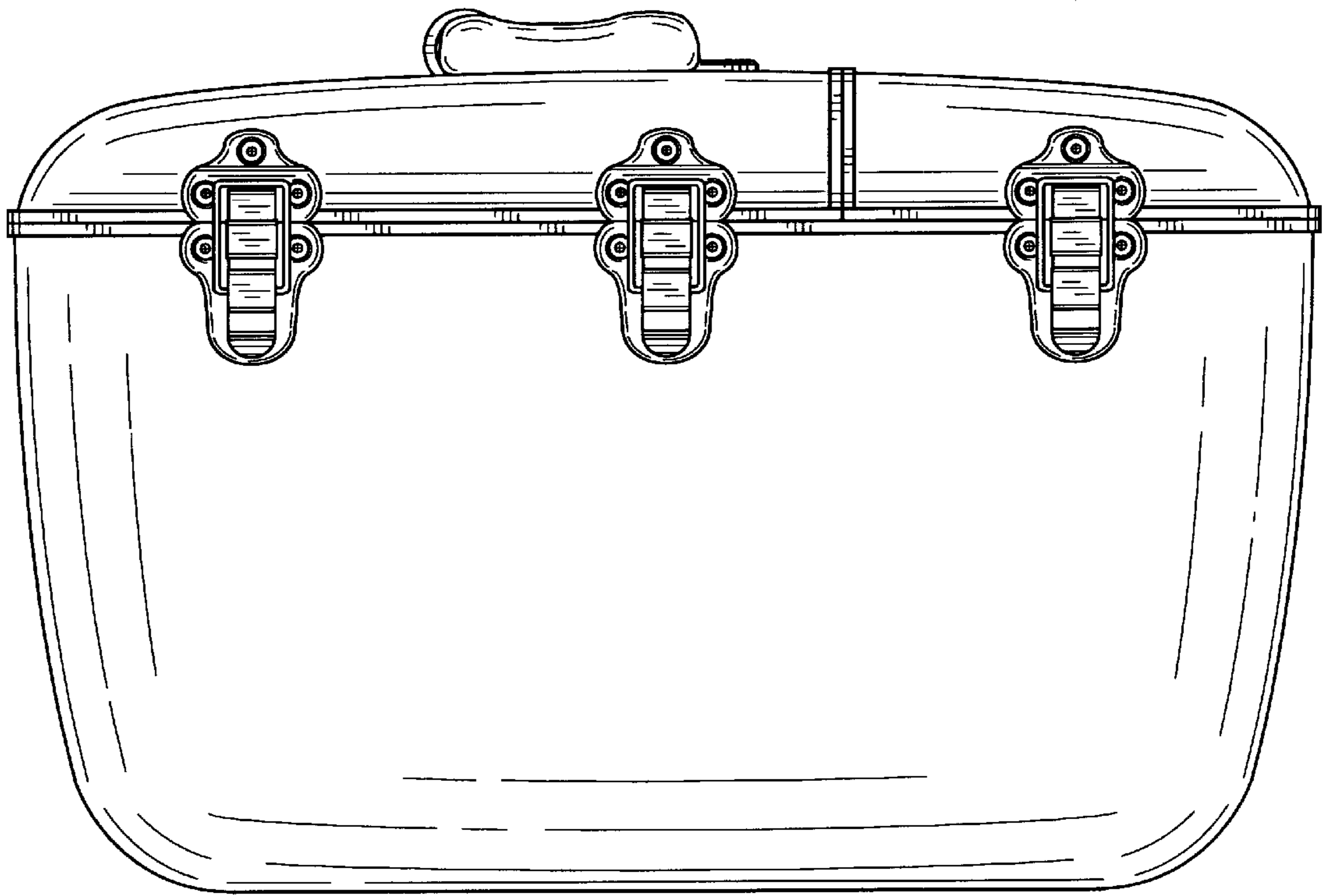


FIG. 1

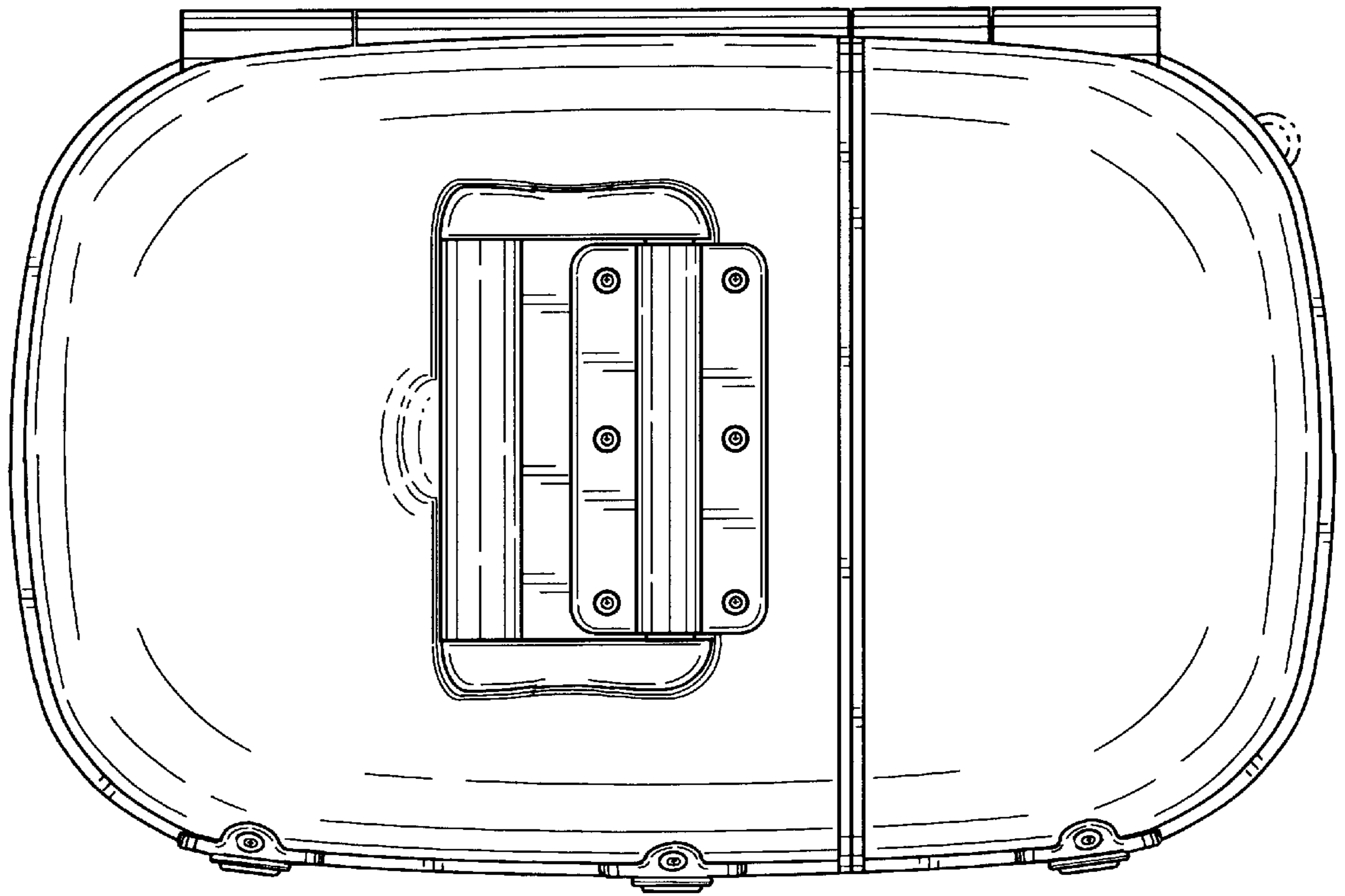


FIG. 2

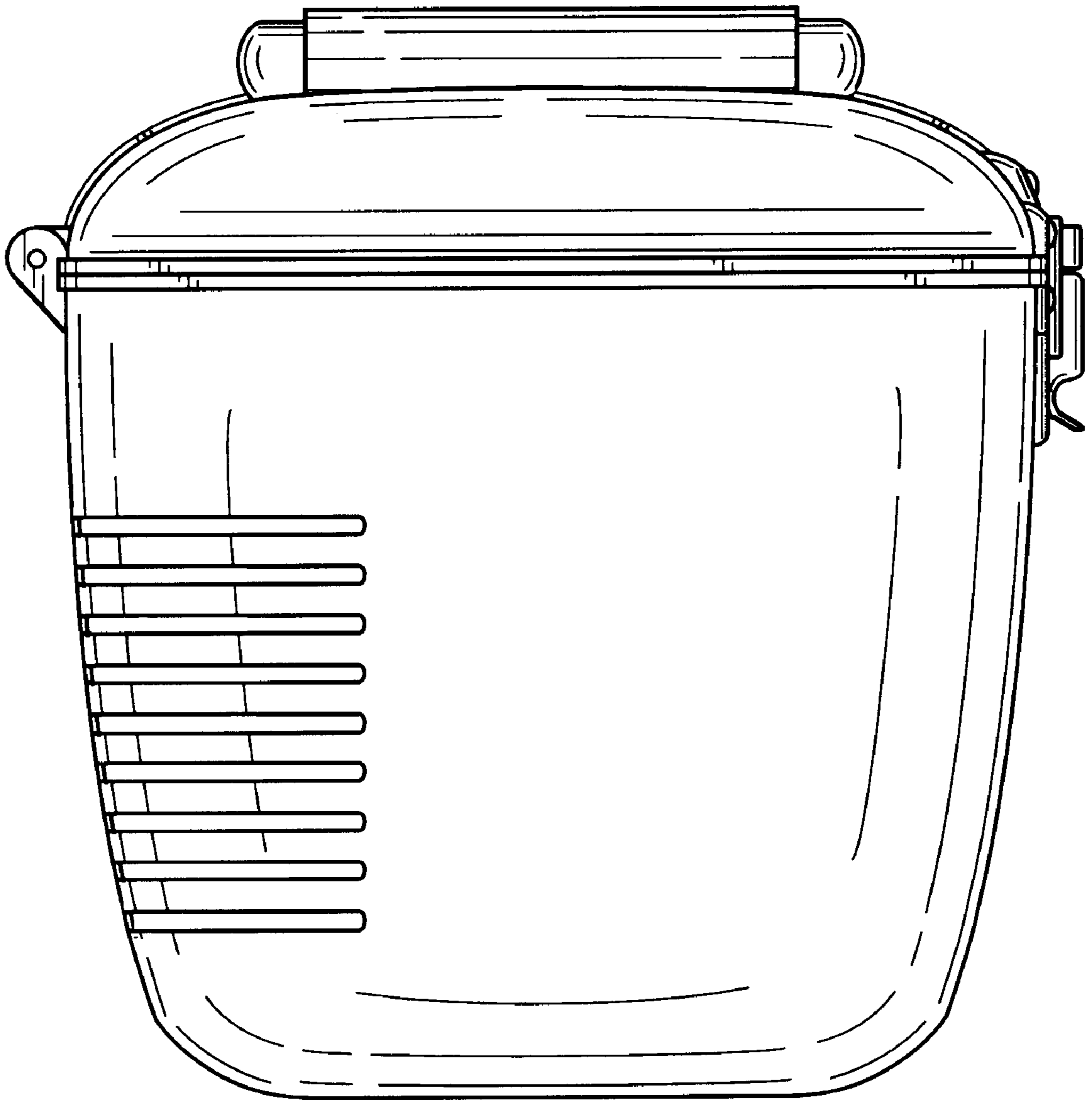


FIG. 3

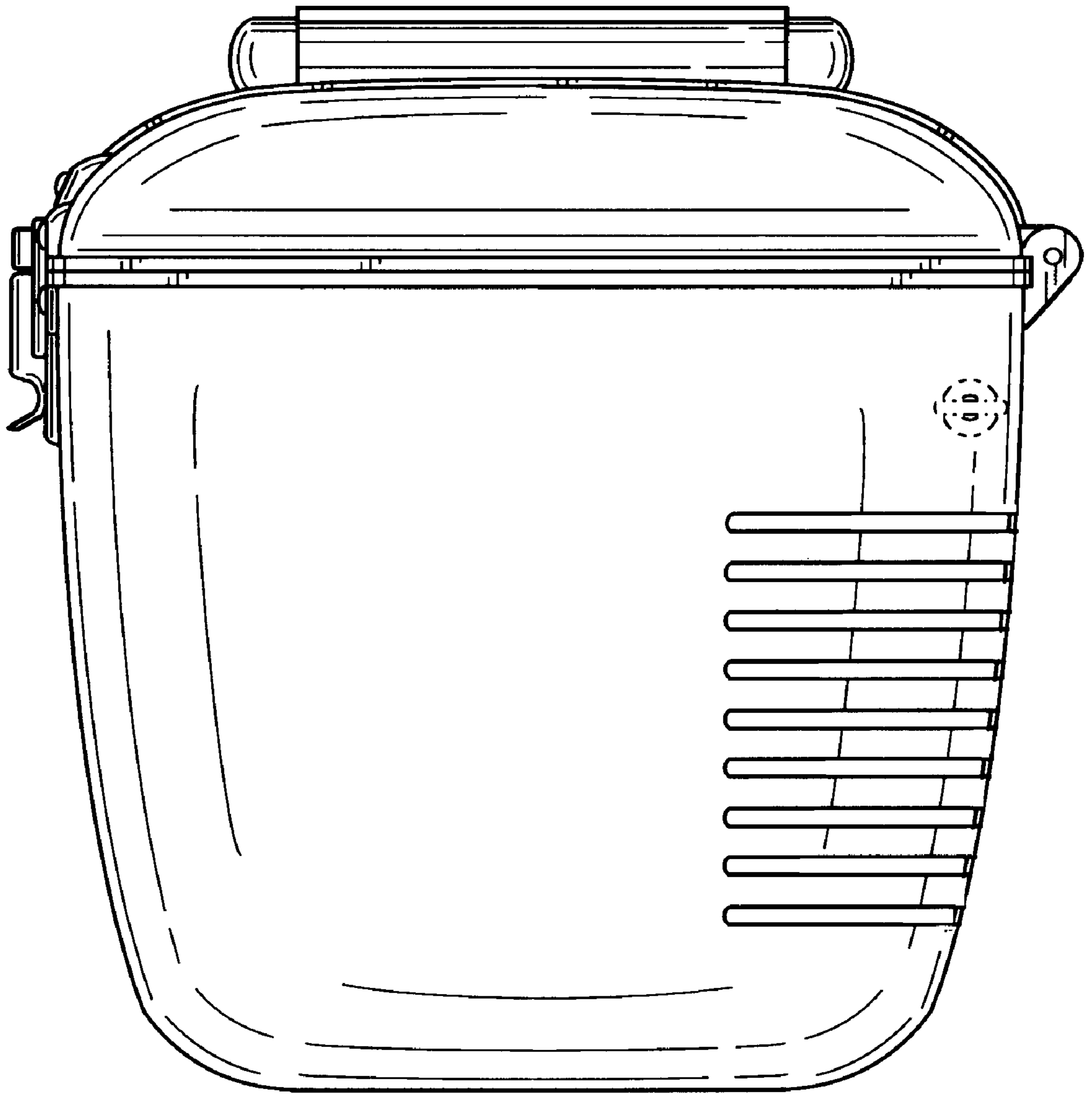


FIG. 4

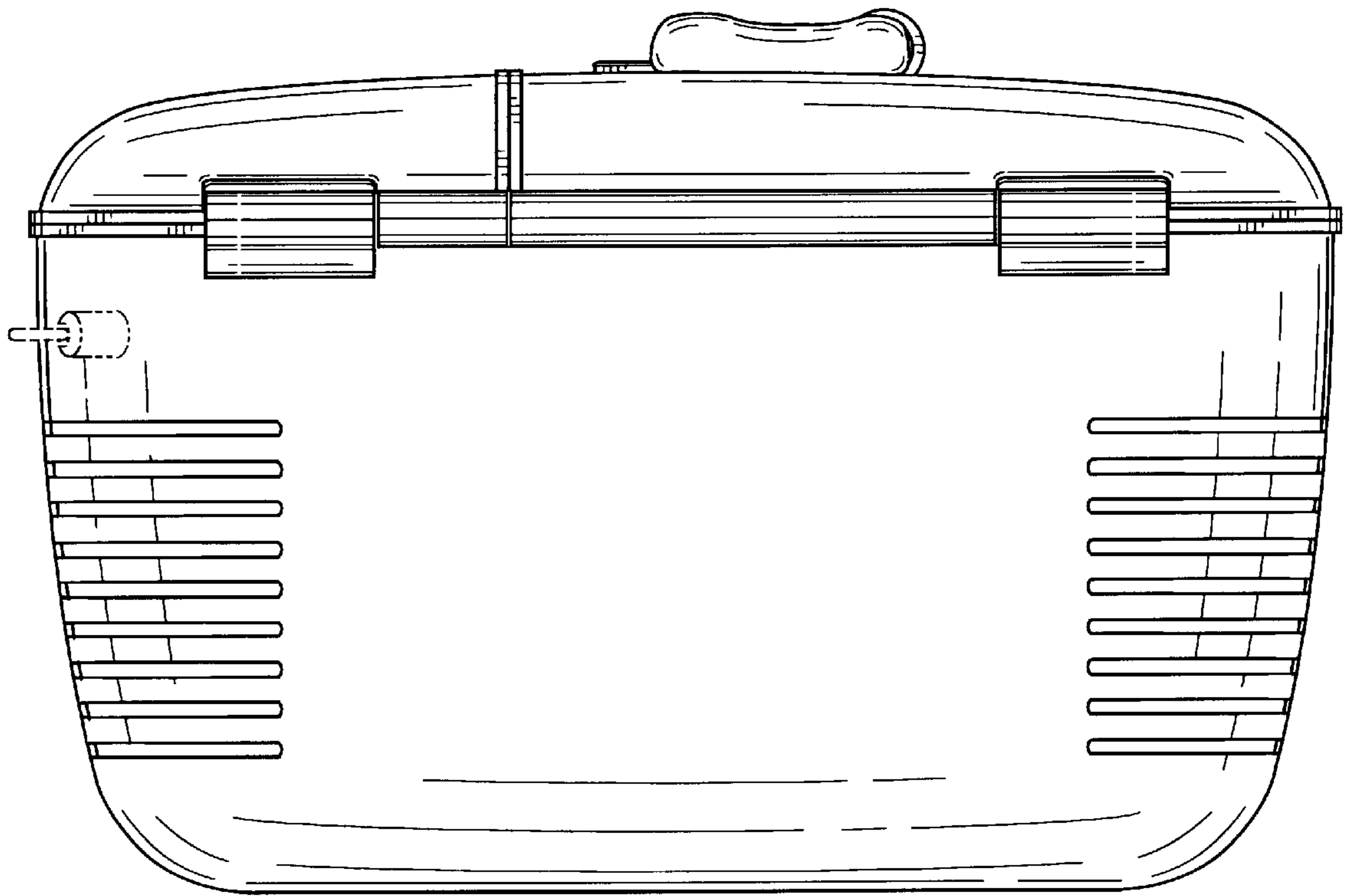


FIG. 5

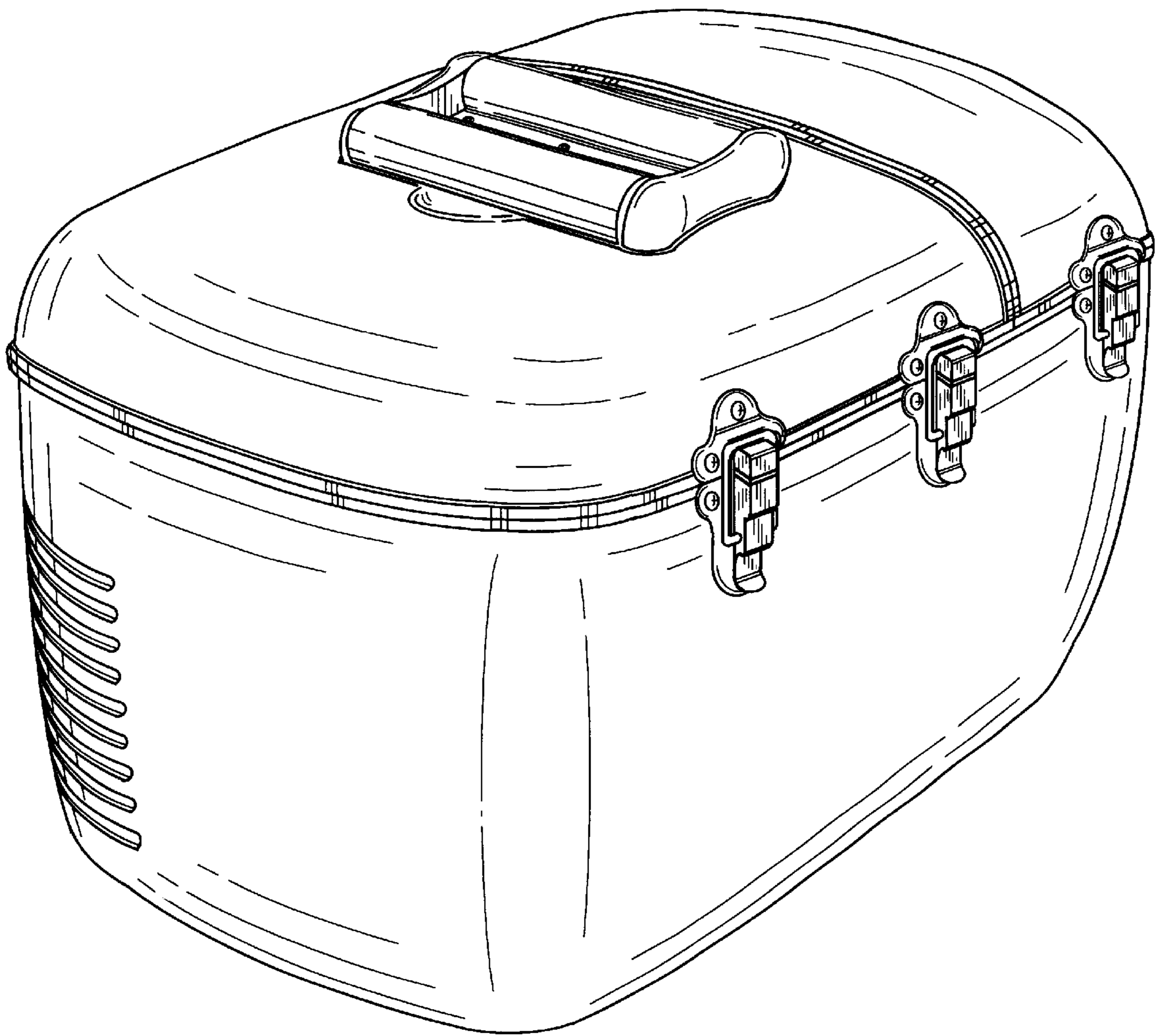


FIG. 6

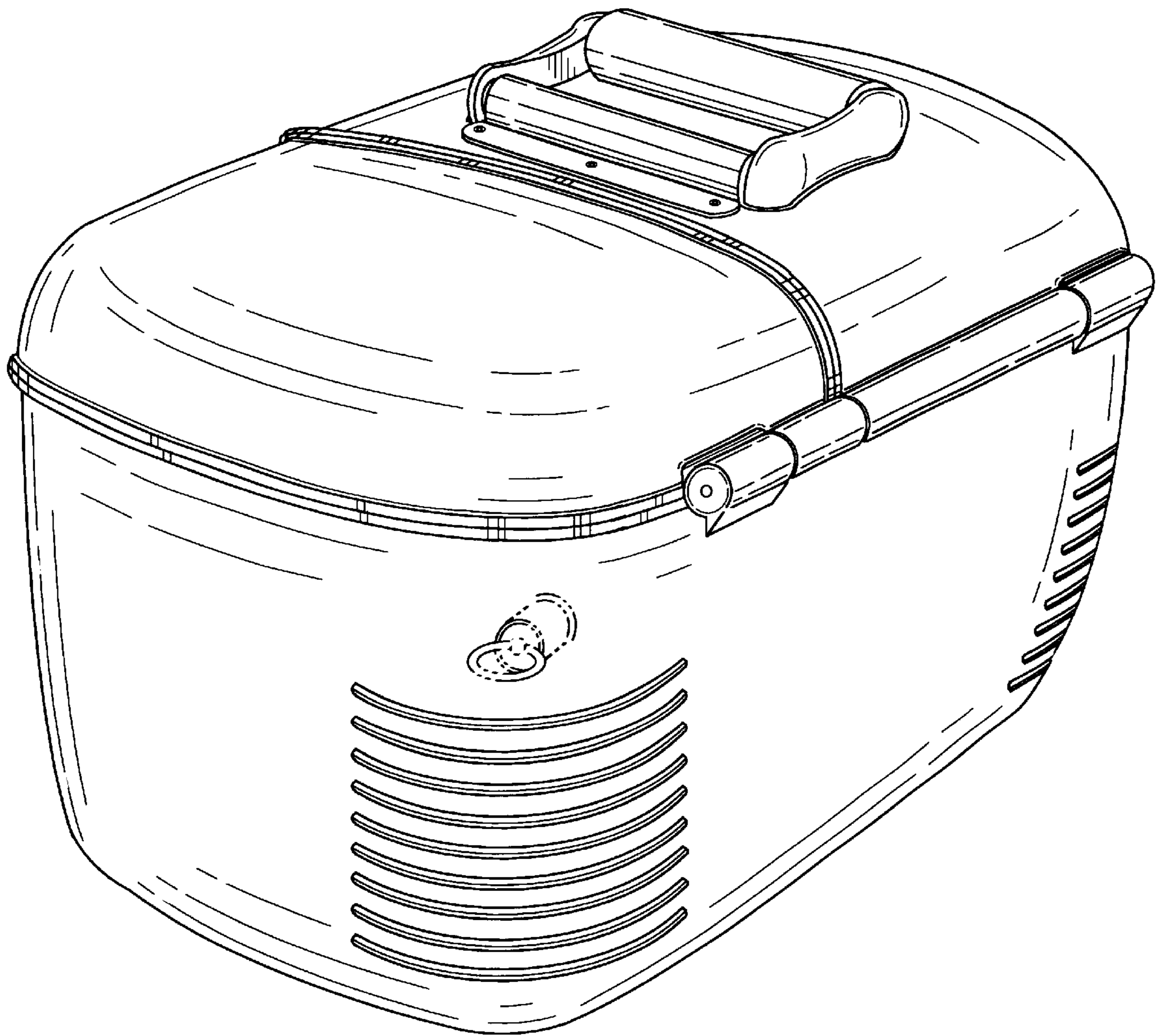


FIG. 7

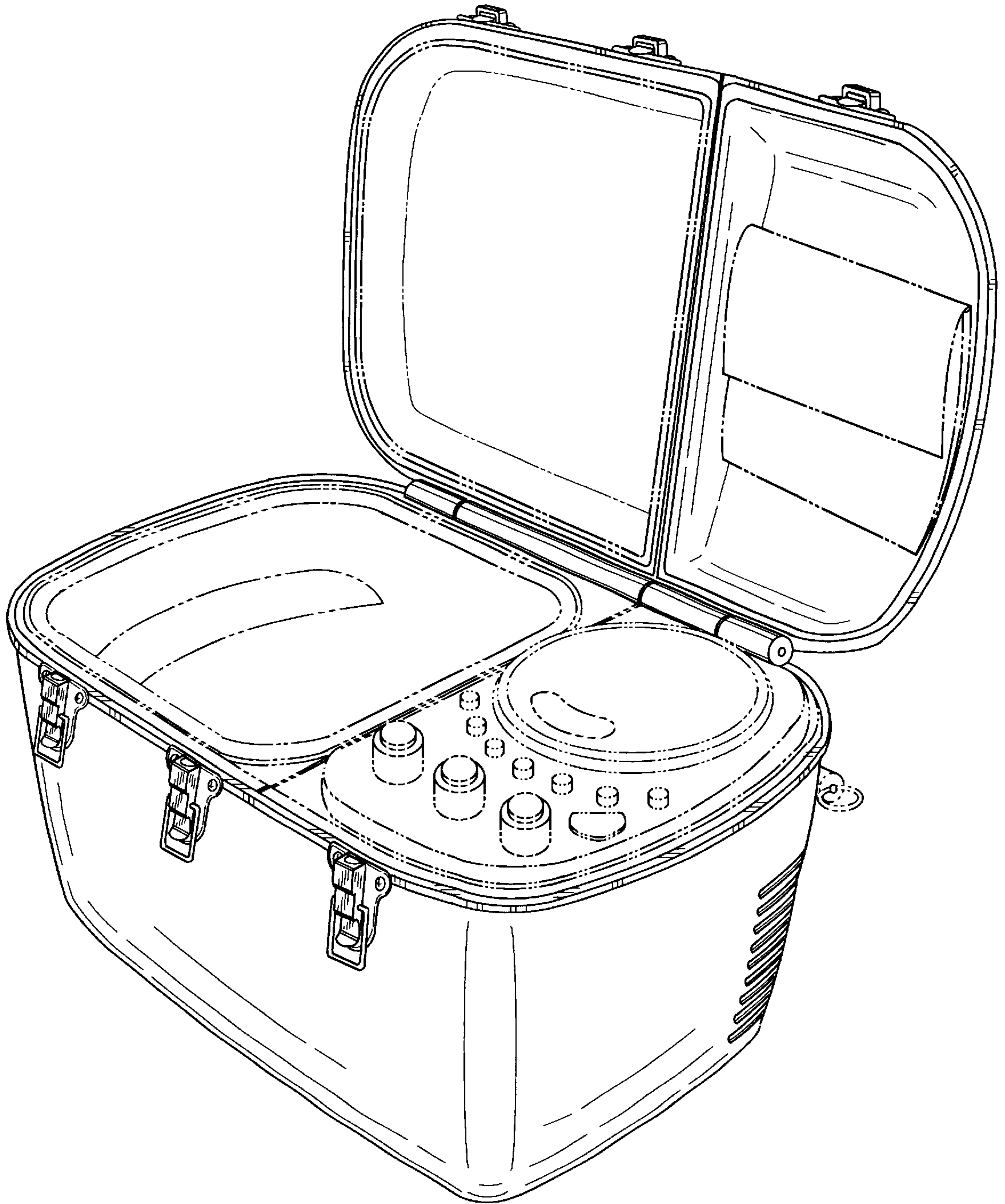


FIG. 8

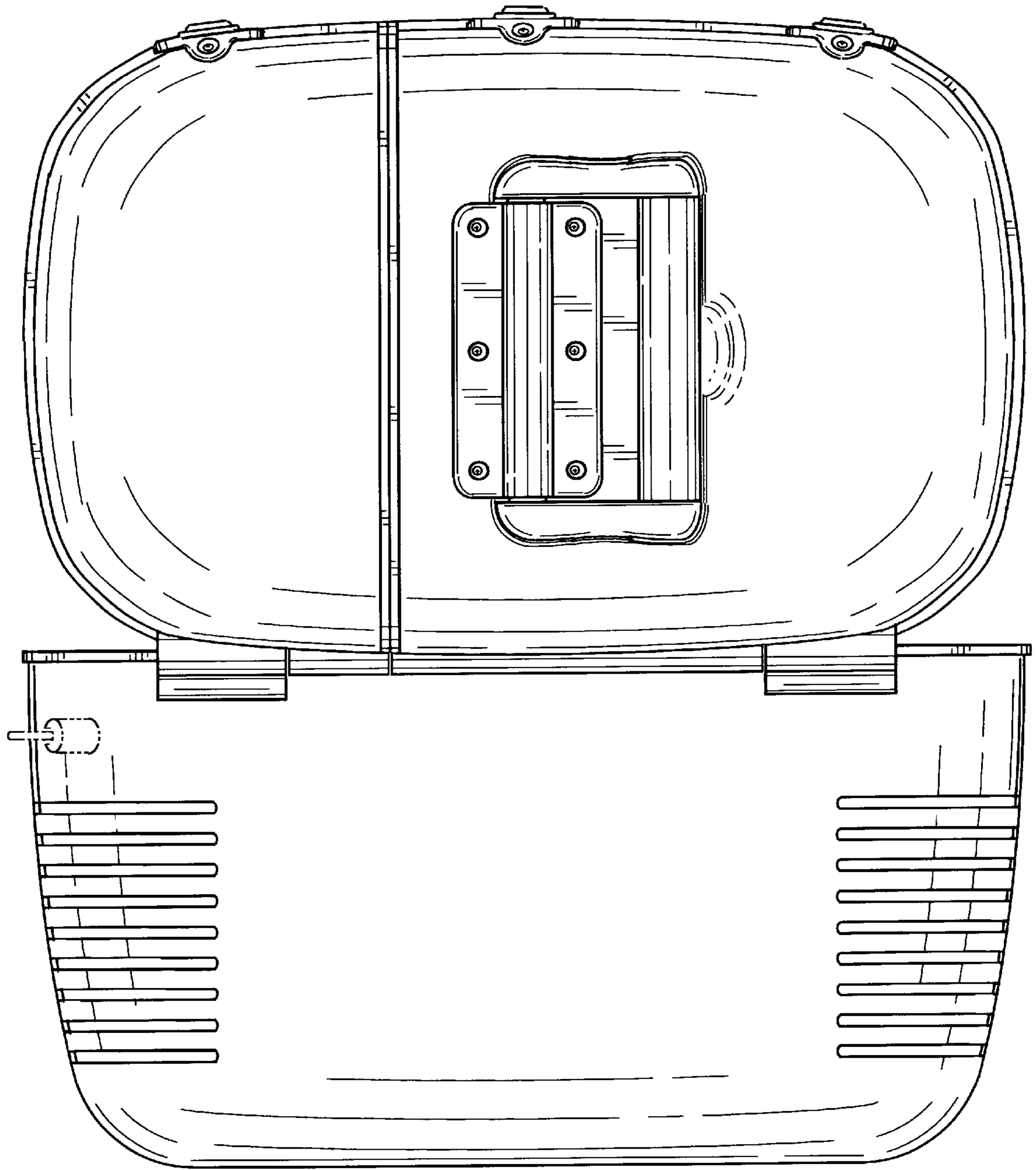


FIG. 9

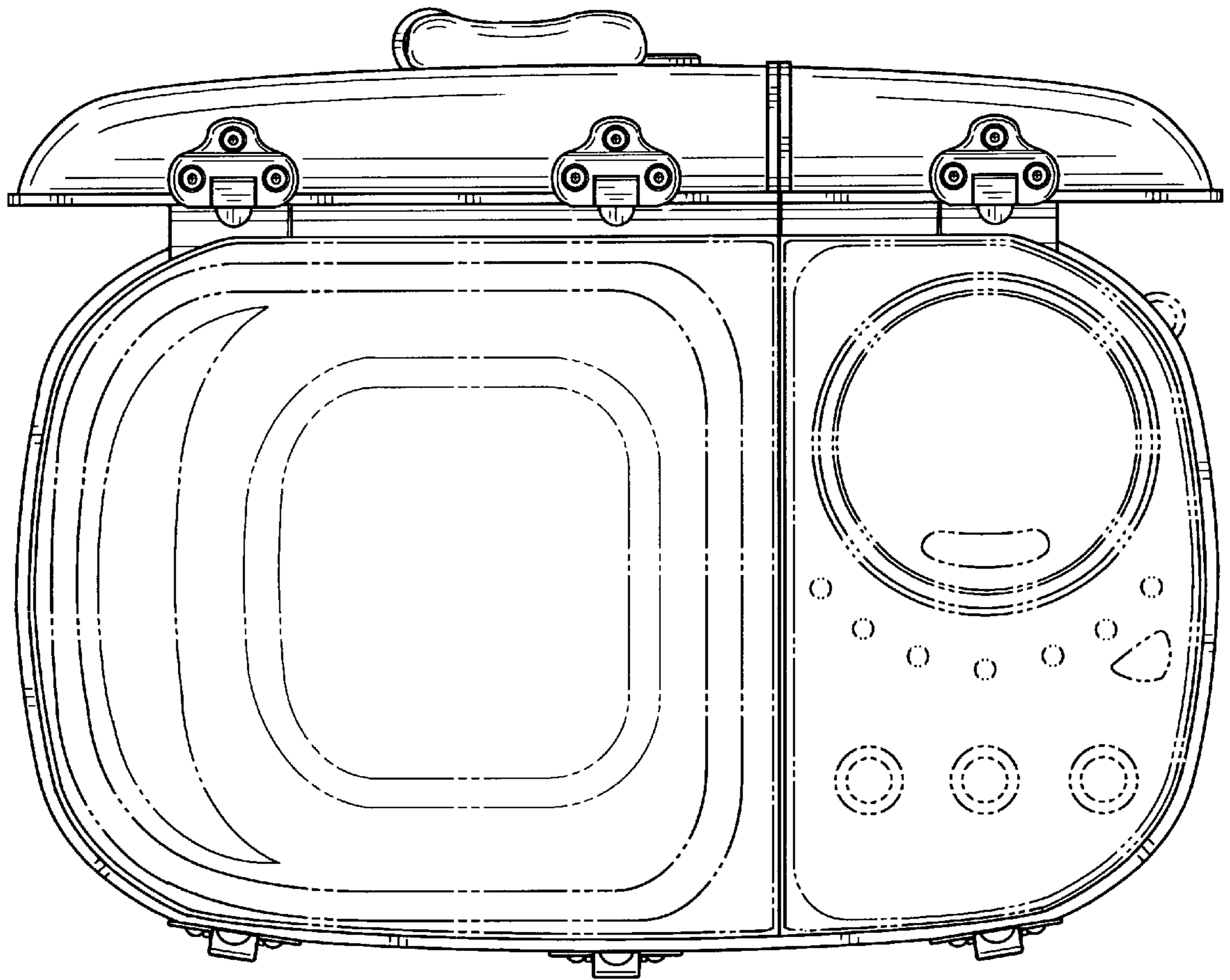


FIG. 10

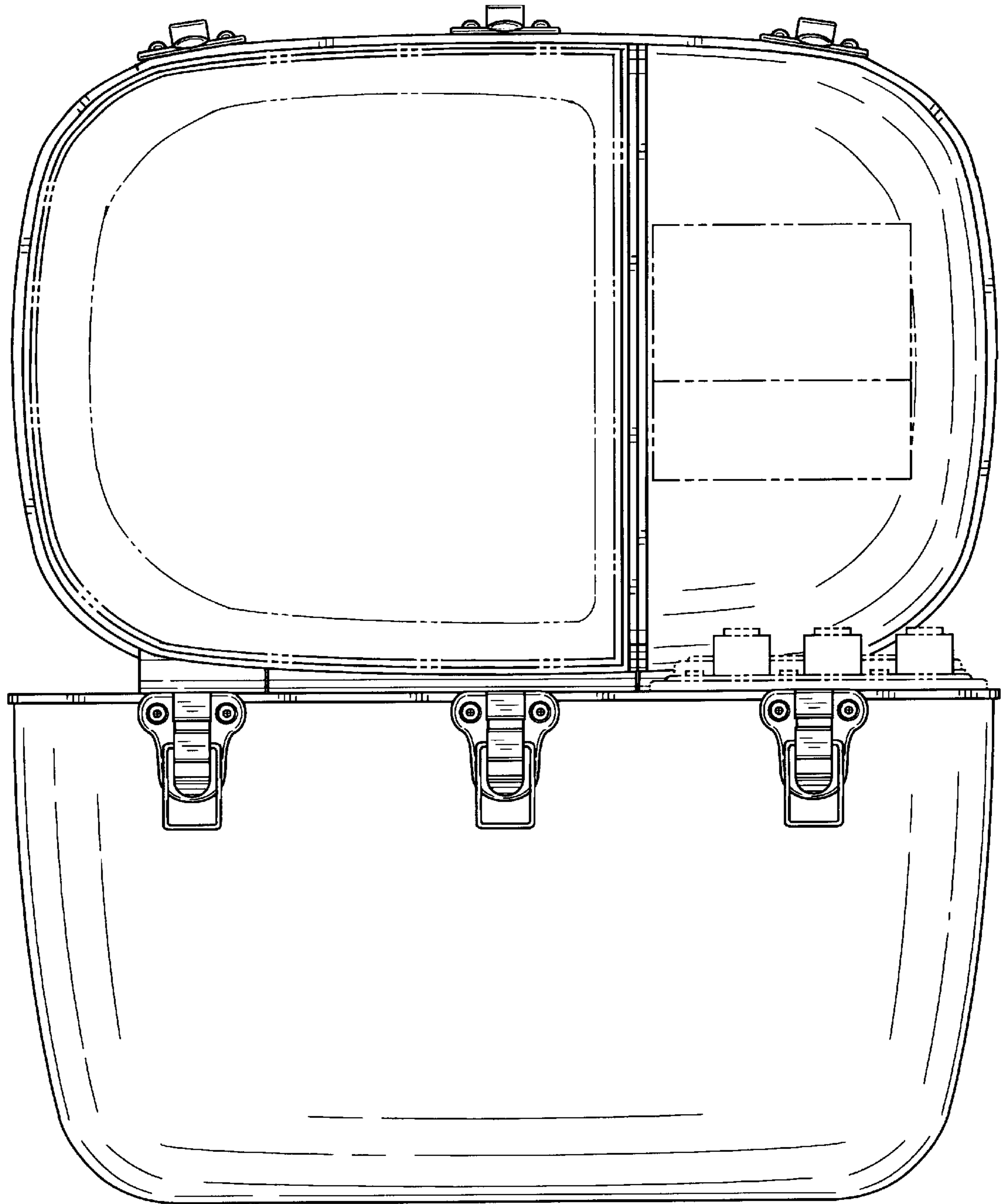


FIG. 11

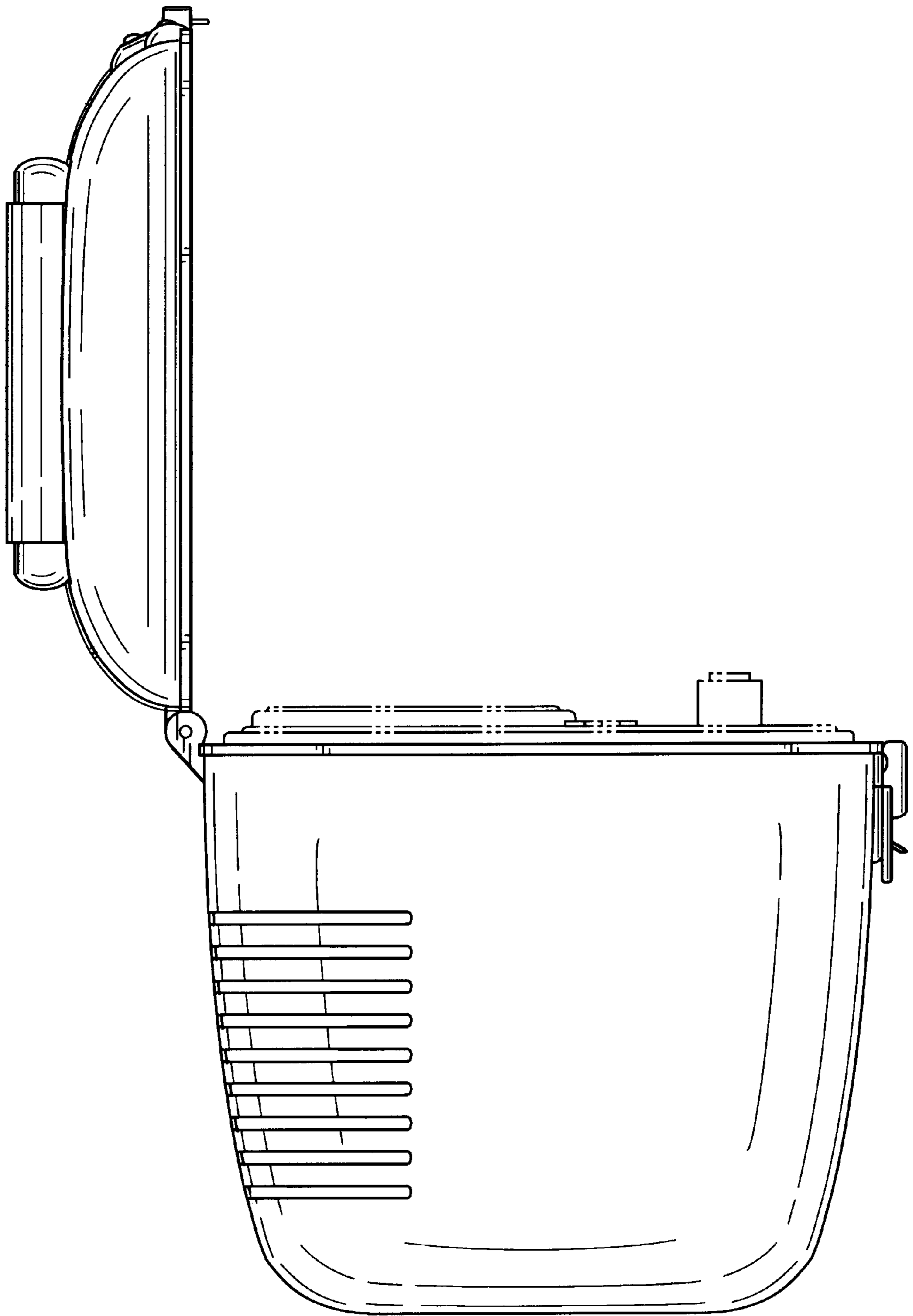


FIG. 12

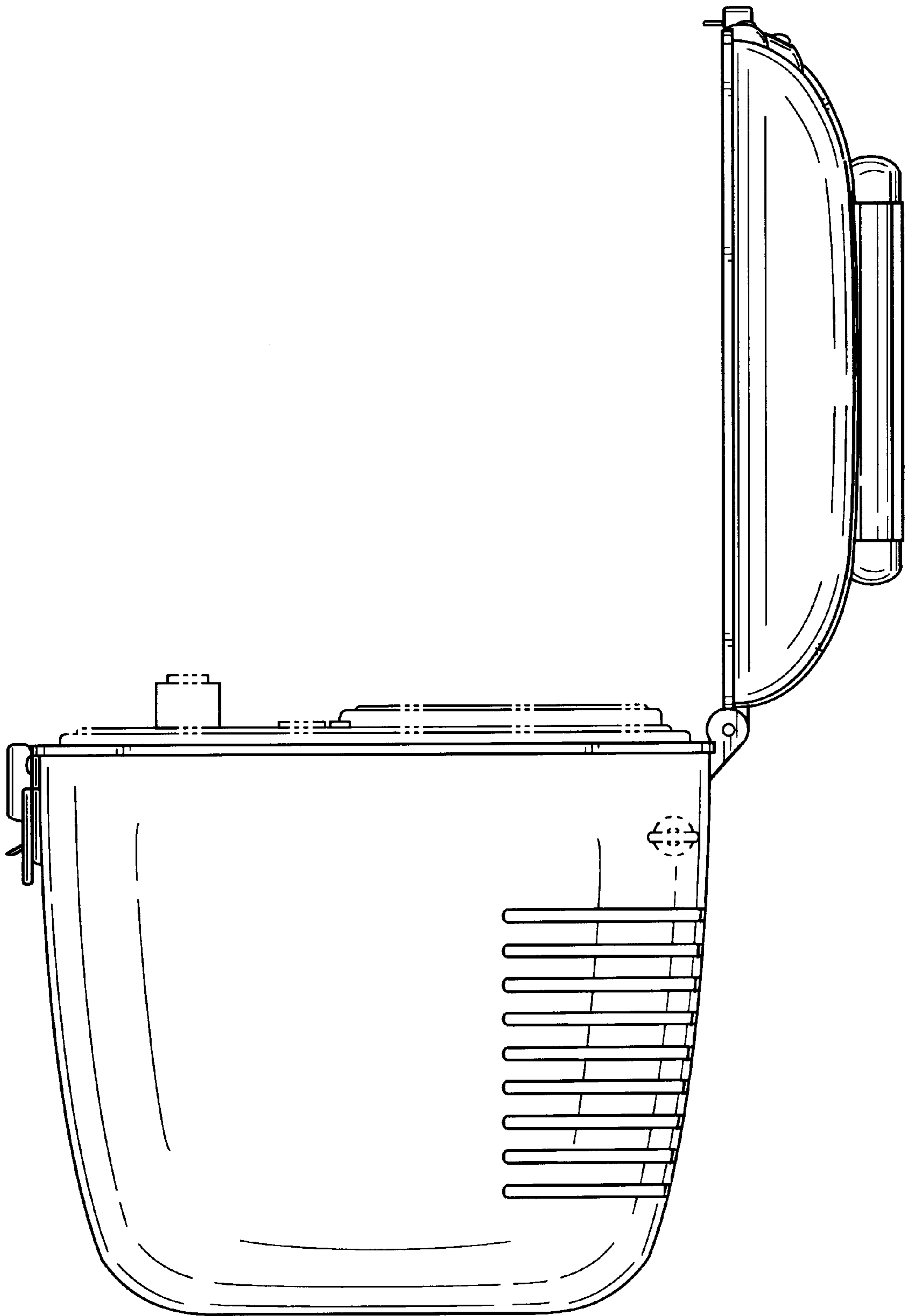


FIG. 13

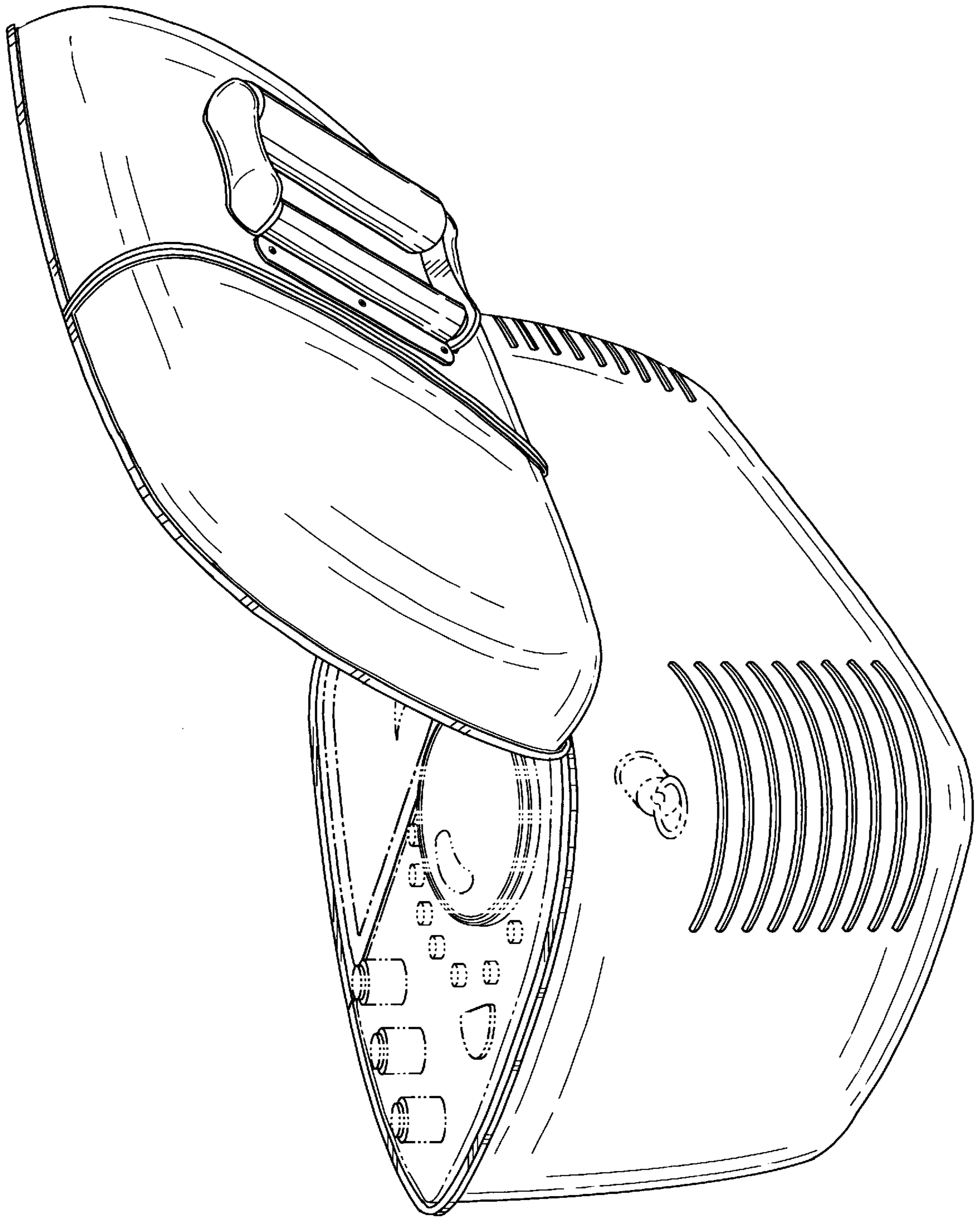


FIG. 14

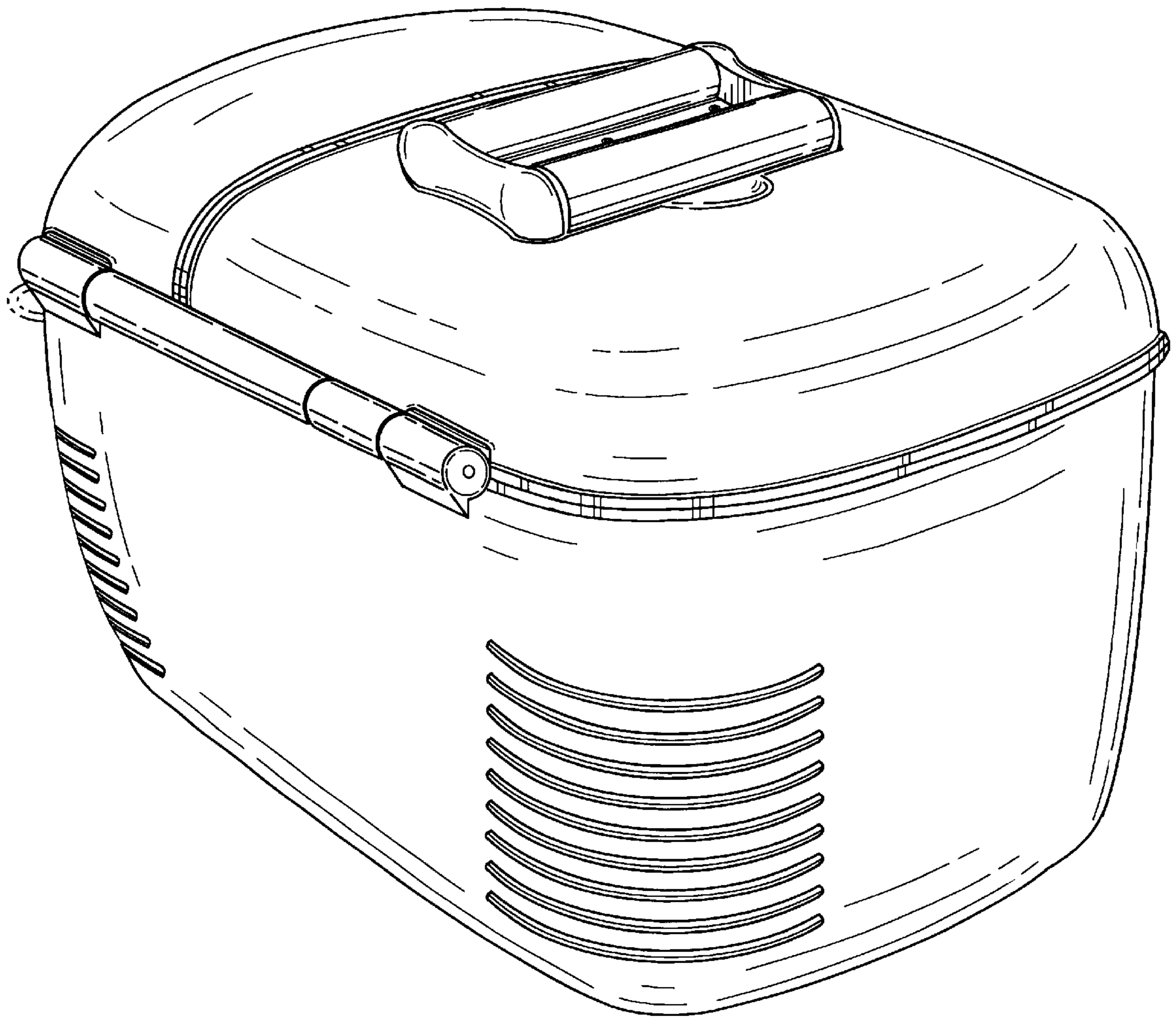


FIG. 15