



US00D457032S

(12) **United States Design Patent**
Copeland

(10) **Patent No.:** **US D457,032 S**

(45) **Date of Patent:** **** May 14, 2002**

(54) **HANDLE FOR A CUP**

(75) Inventor: **Bruce William Copeland**, Stone Mountain, GA (US)

(73) Assignee: **Williams Industries, Inc.**, Shelbyville, IN (US)

(**) Term: **14 Years**

(21) Appl. No.: **29/148,344**

(22) Filed: **Sep. 18, 2001**

(51) **LOC (7) Cl.** **07-01**

(52) **U.S. Cl.** **D7/394**

(58) **Field of Search** D7/394, 393, 536, D7/622, 396.2; D8/DIG. 9, DIG. 1, 316, 317, 107; 225/592, 17, 729, 630, 715, 713, 737; 248/309.3; 294/27.1, 64.1

(56) **References Cited**

U.S. PATENT DOCUMENTS

- 1,975,241 A * 10/1934 Werber et al. 220/592.17
- D101,958 S * 11/1936 Kogan D7/536
- D154,588 S * 7/1949 Collins D7/622

- D216,731 S * 3/1970 Hing et al. D7/536
- D392,160 S * 3/1998 Schmidt D7/622
- D433,277 S * 11/2000 Copeland D7/394

* cited by examiner

Primary Examiner—M. N. Pandozzi

(74) *Attorney, Agent, or Firm*—Barnes & Thornburg

(57) **CLAIM**

The ornamental design for a handle for a cup, as shown and described.

DESCRIPTION

FIG. 1 is a perspective view of a handle for a cup in accordance with my design with a cup which forms the environment of the handle for a cup and forms no part of the claimed design, the cup or portions thereof being shown in broken lines for illustrative purposes only;

FIG. 2 is a front view thereof;

FIG. 3 is a rear view thereof;

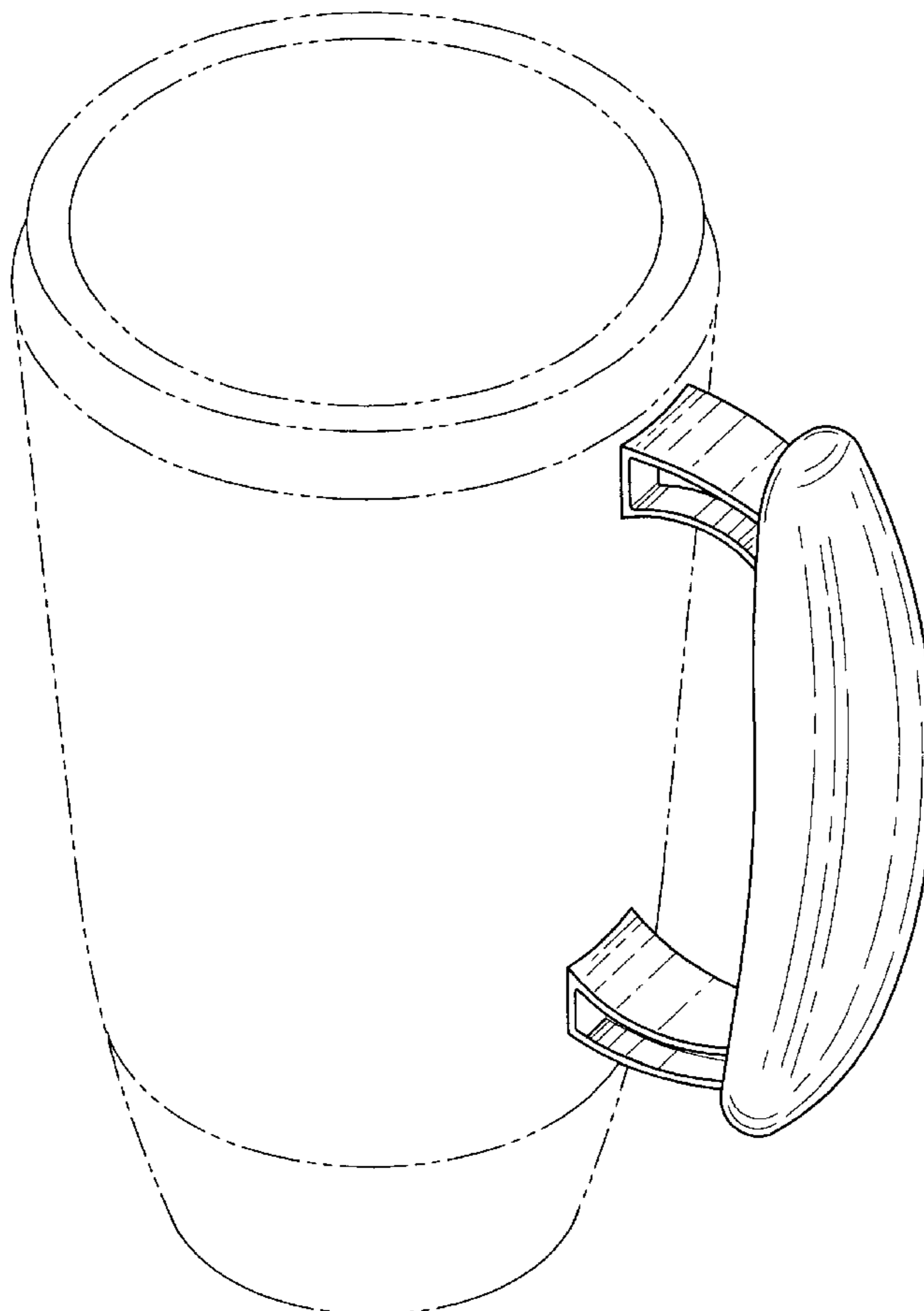
FIG. 4 is a left view thereof;

FIG. 5 is a right view thereof;

FIG. 6 is a top view thereof; and,

FIG. 7 is a bottom view thereof.

1 Claim, 7 Drawing Sheets



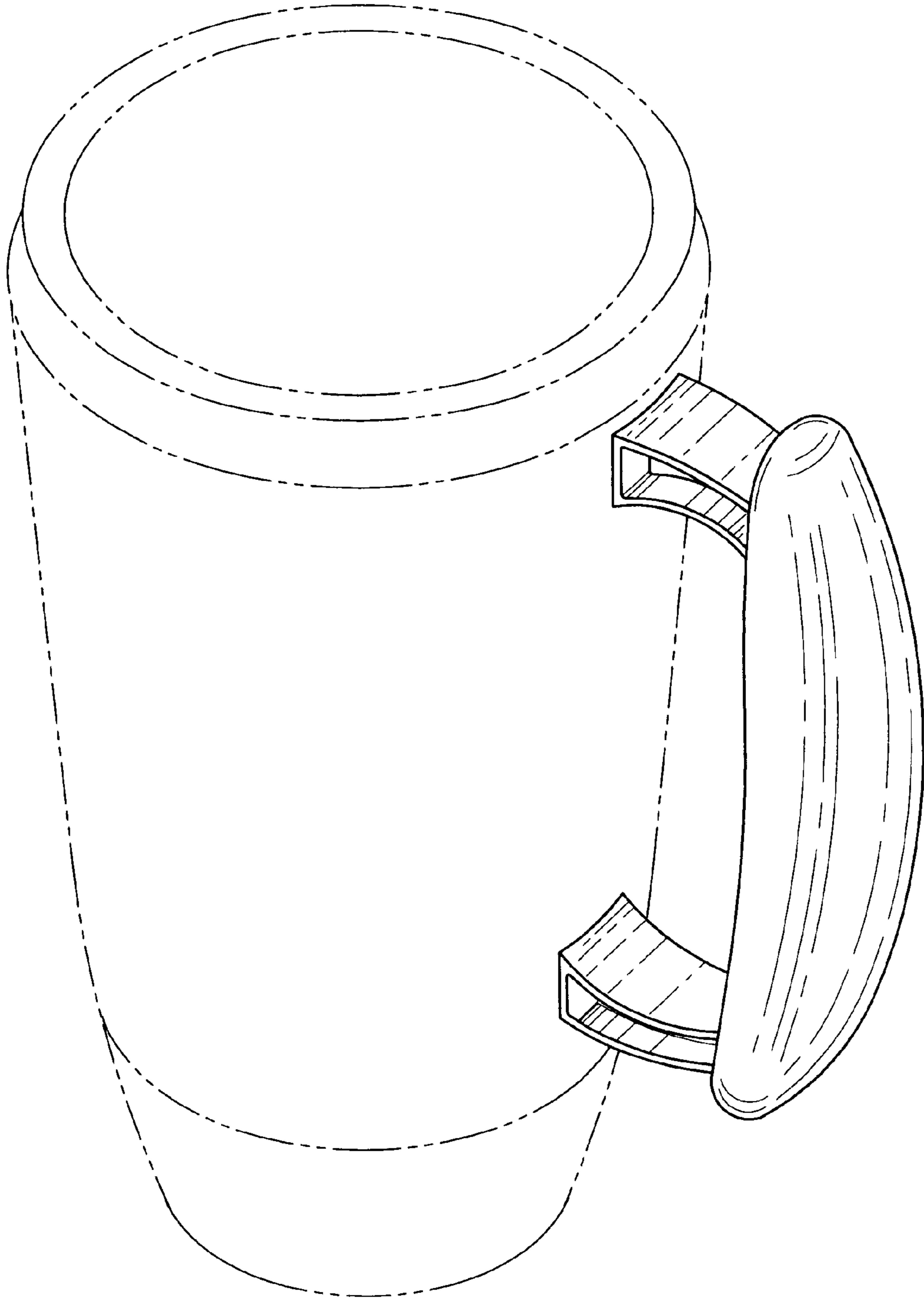


Fig. 1

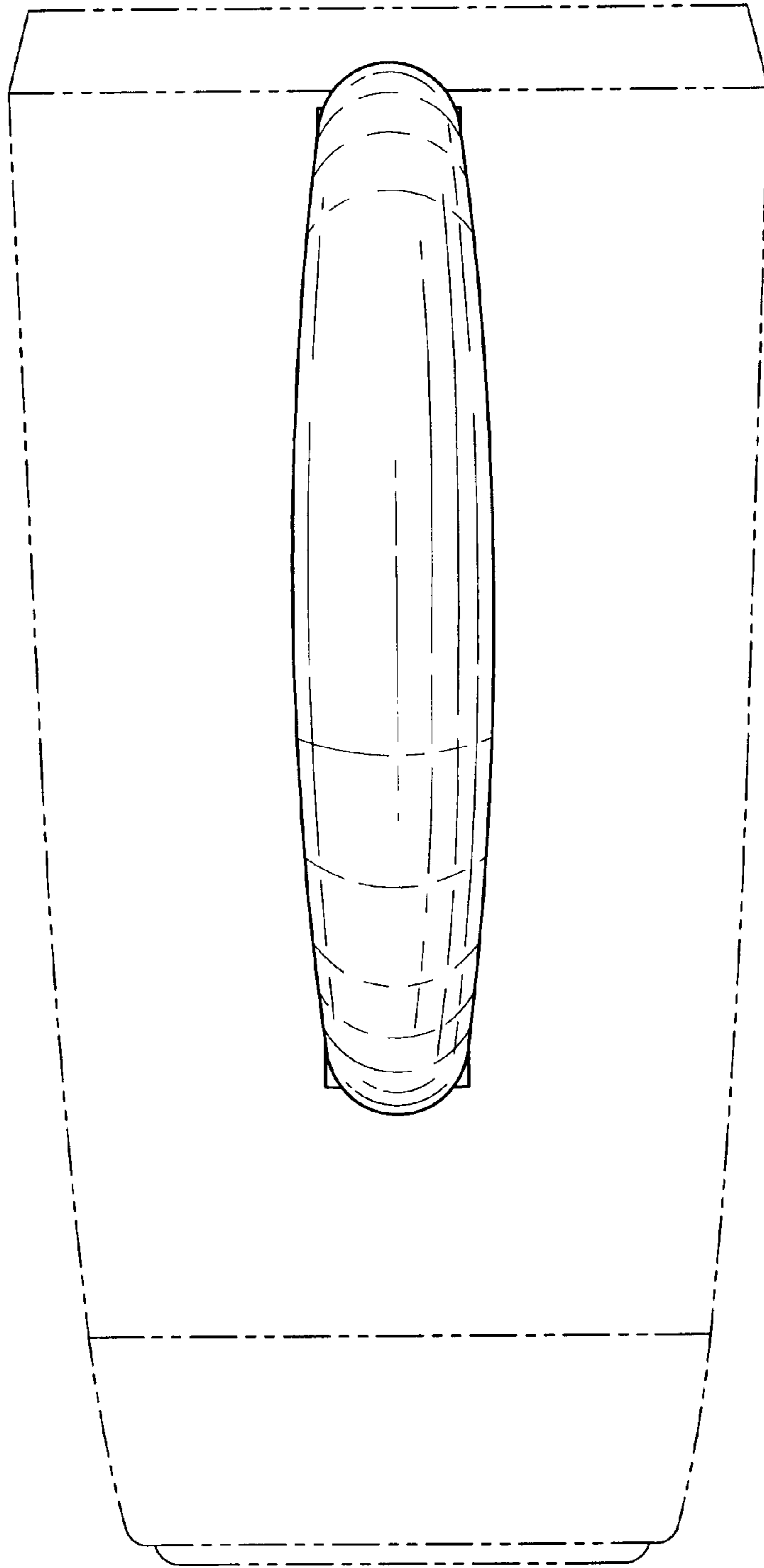


Fig. 2

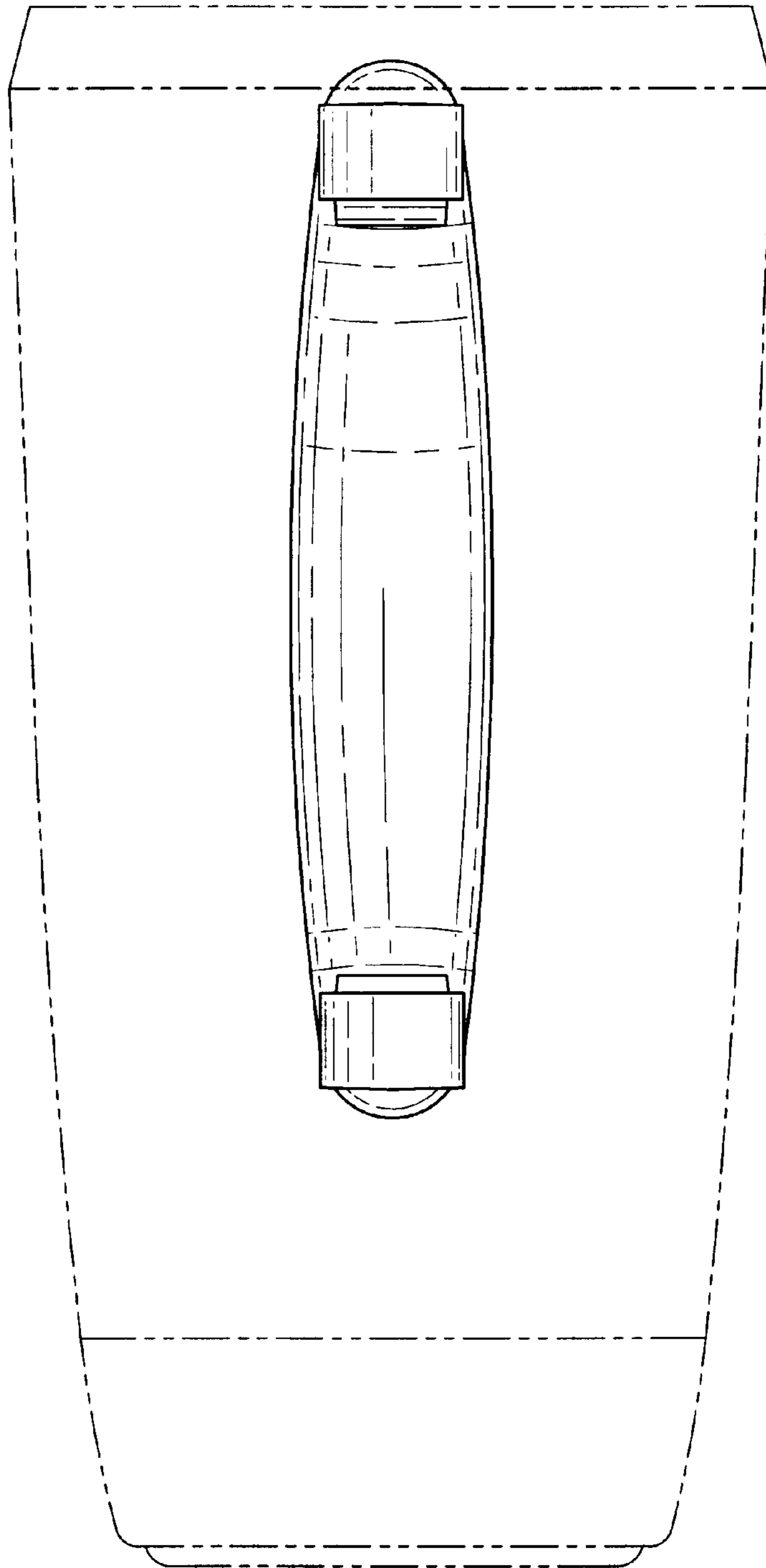


Fig. 3

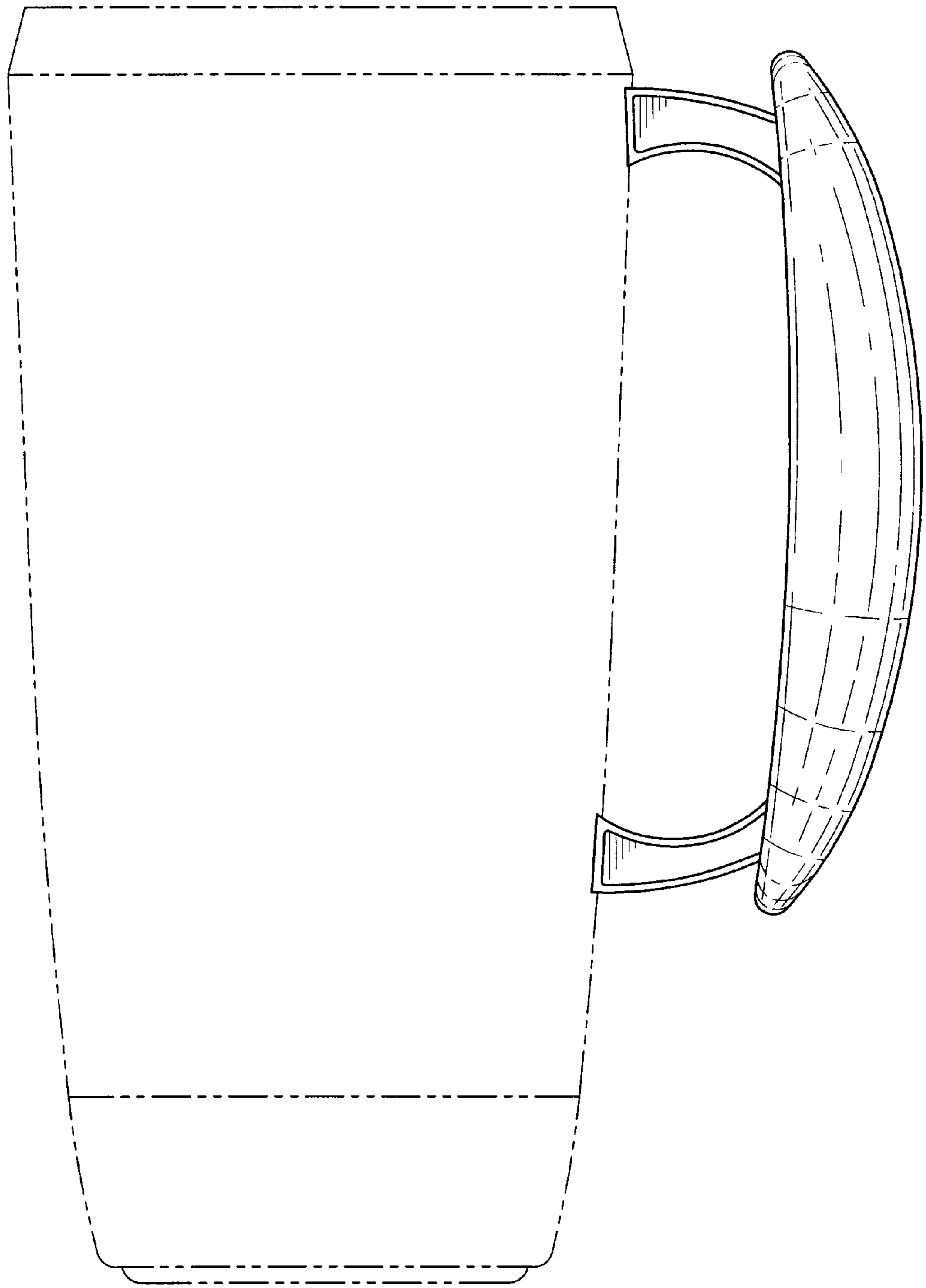


Fig. 4

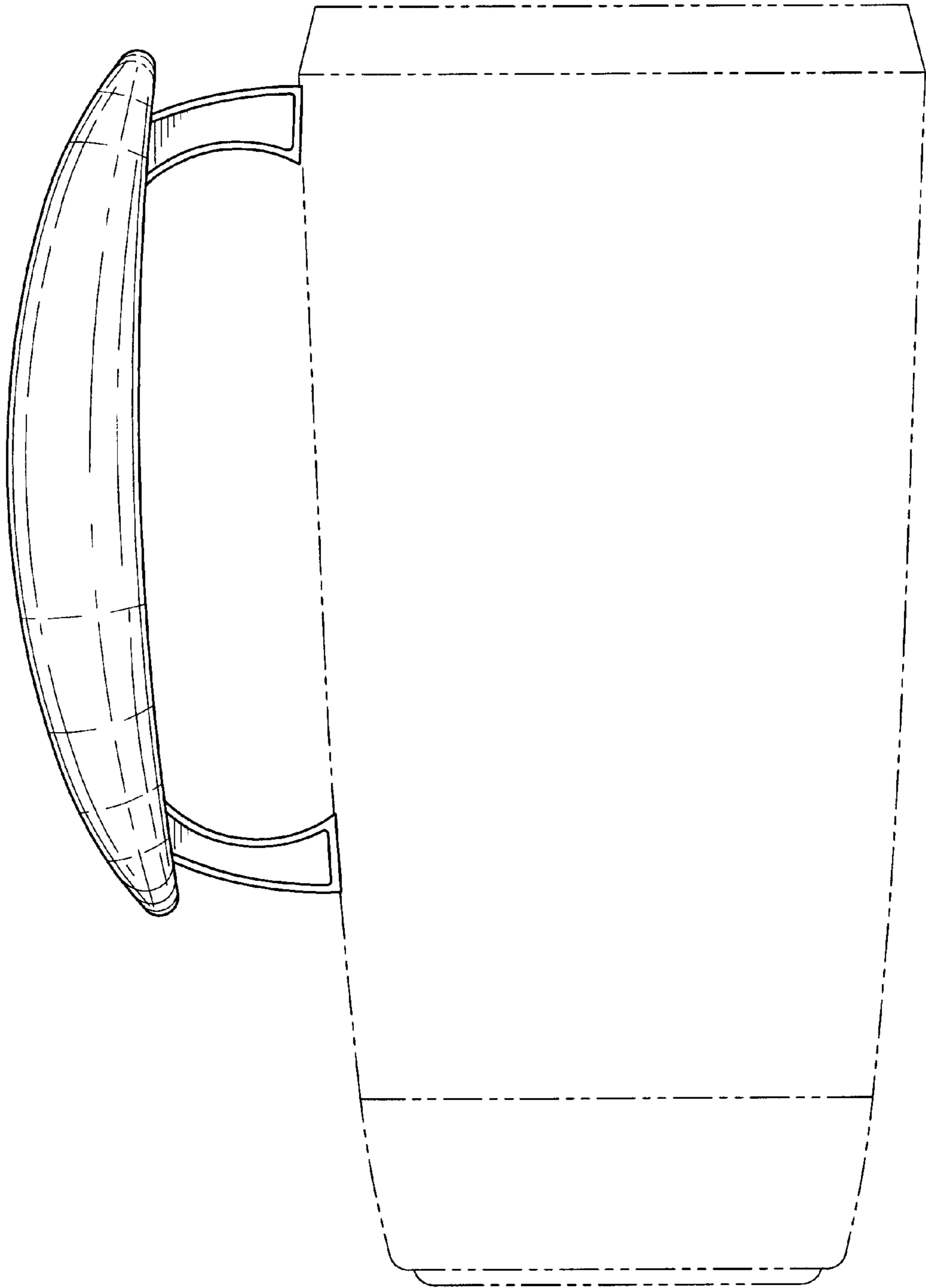


Fig. 5

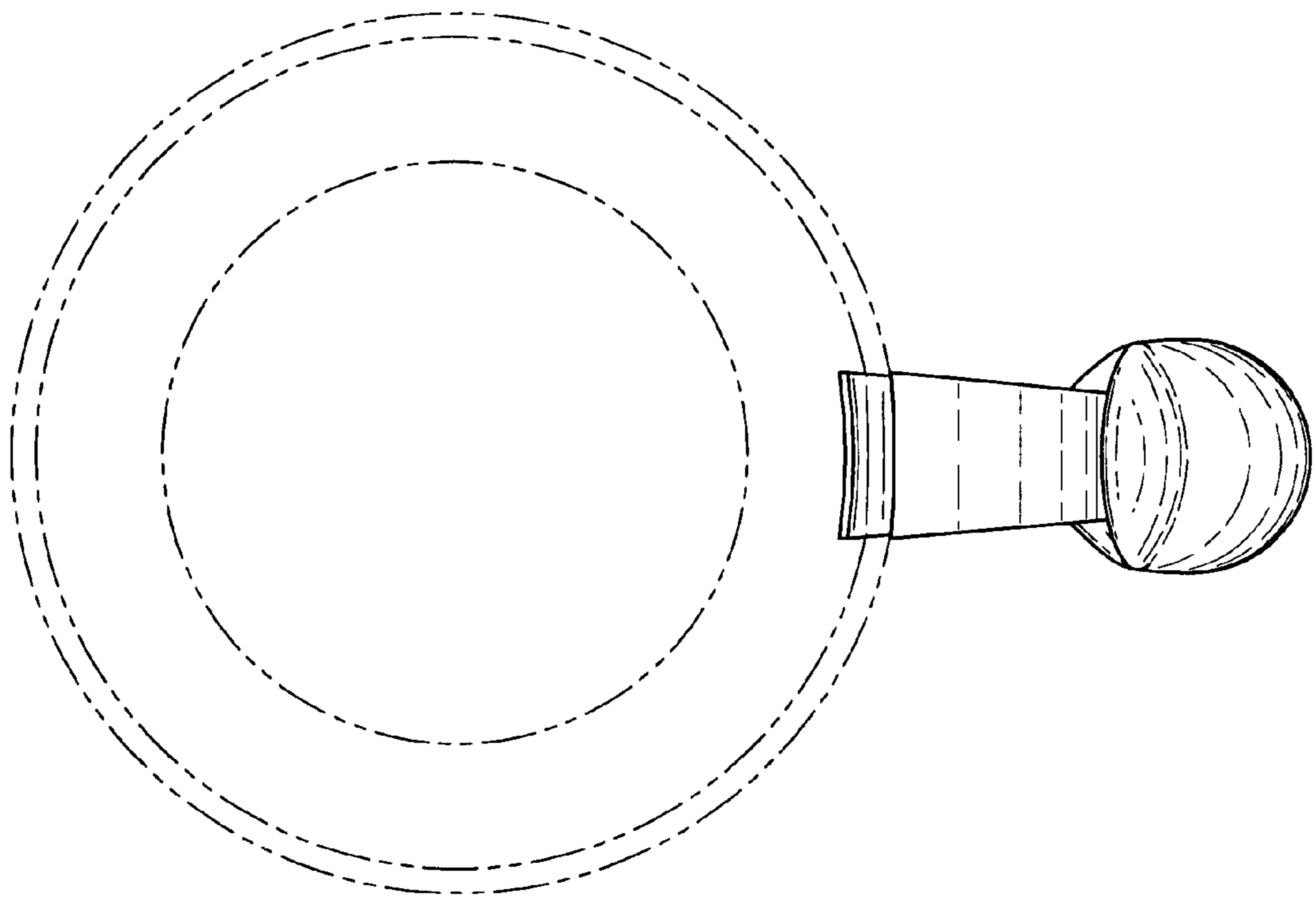


Fig. 6

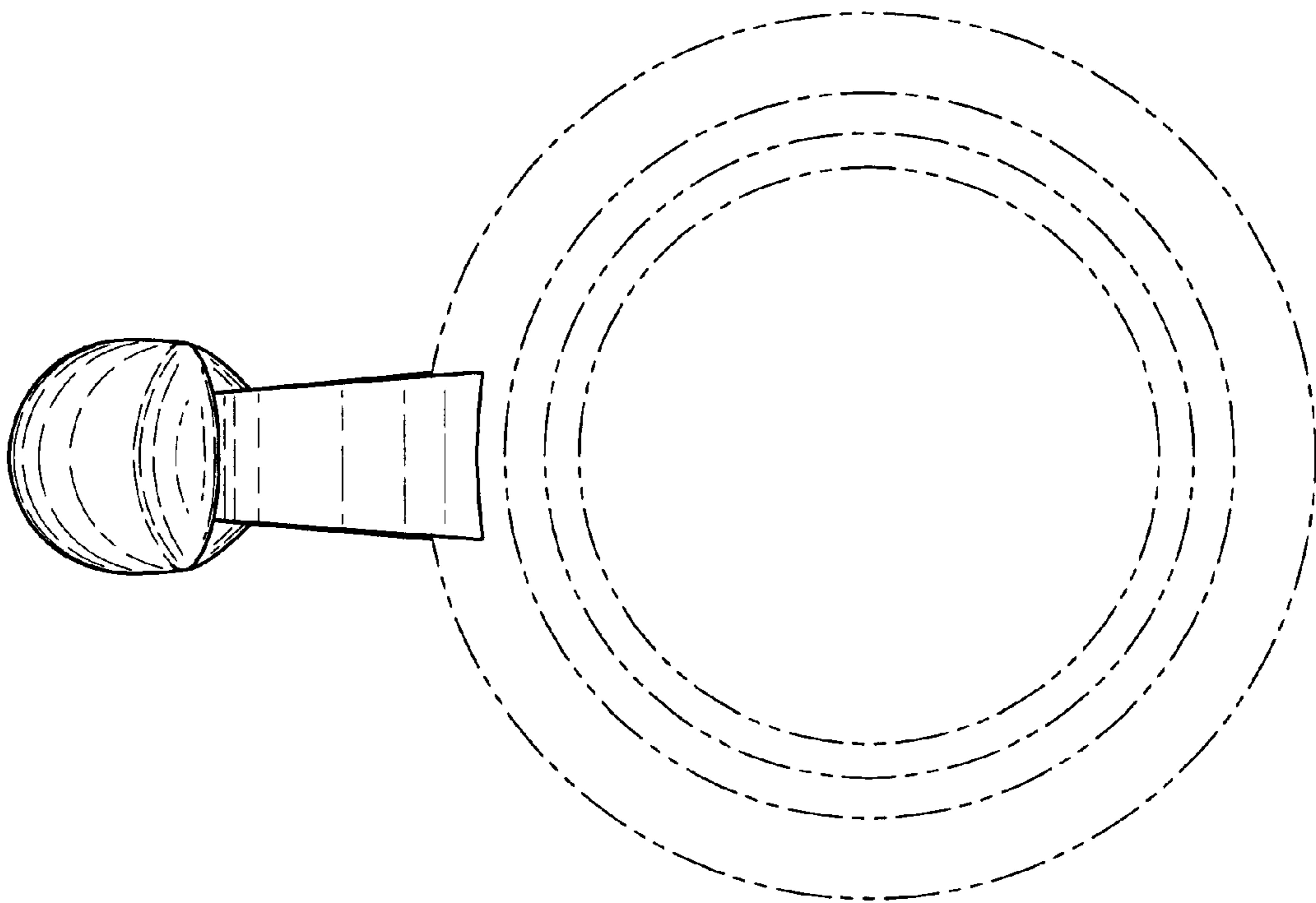


Fig. 7