



US00D457030S

(12) **United States Design Patent**  
**DeMars**

(10) **Patent No.:**

**US D457,030 S**

(45) **Date of Patent:**

**\*\* May 14, 2002**

(54) **LARGE SIZED PORTABLE COOKING APPARATUS**

(76) Inventor: **Robert A. DeMars**, 23221 Ladrillo Ave., Woodland Hills, CA (US) 91367-4134

(\*\*) Term: **14 Years**

(21) Appl. No.: **29/138,174**

(22) Filed: **Mar. 9, 2001**

(51) **LOC (7) Cl.** ..... **07-02**

(52) **U.S. Cl.** ..... **D7/332**

(58) **Field of Search** ..... D7/332, 334, 335, D7/336, 337, 402, 409; 126/25 R, 25 A, 25 AA, 41 R, 29-30, 9 R, 9 B, 4, 6, 506, 519; D23/343, 348, 350, 317, 332, 334-336, 338-339; 99/443, 450, 421 R; 248/156

(56) **References Cited**

**U.S. PATENT DOCUMENTS**

- D284,929 S \* 8/1986 Schlosser et al. .... D7/332
- D385,146 S \* 10/1997 Fielding et al. .... D7/332

- D385,147 S \* 10/1997 Fielding et al. .... D7/332
- D414,980 S \* 10/1999 Pai ..... D7/337
- D420,546 S \* 2/2000 Pai ..... D7/332
- D427,840 S \* 7/2000 Pai ..... D7/332
- D435,998 S \* 1/2001 Mak ..... D7/332
- D444,023 S \* 6/2001 Pai ..... D7/337

\* cited by examiner

*Primary Examiner*—Ruth McInroy

(74) *Attorney, Agent, or Firm*—Jack C. Munro

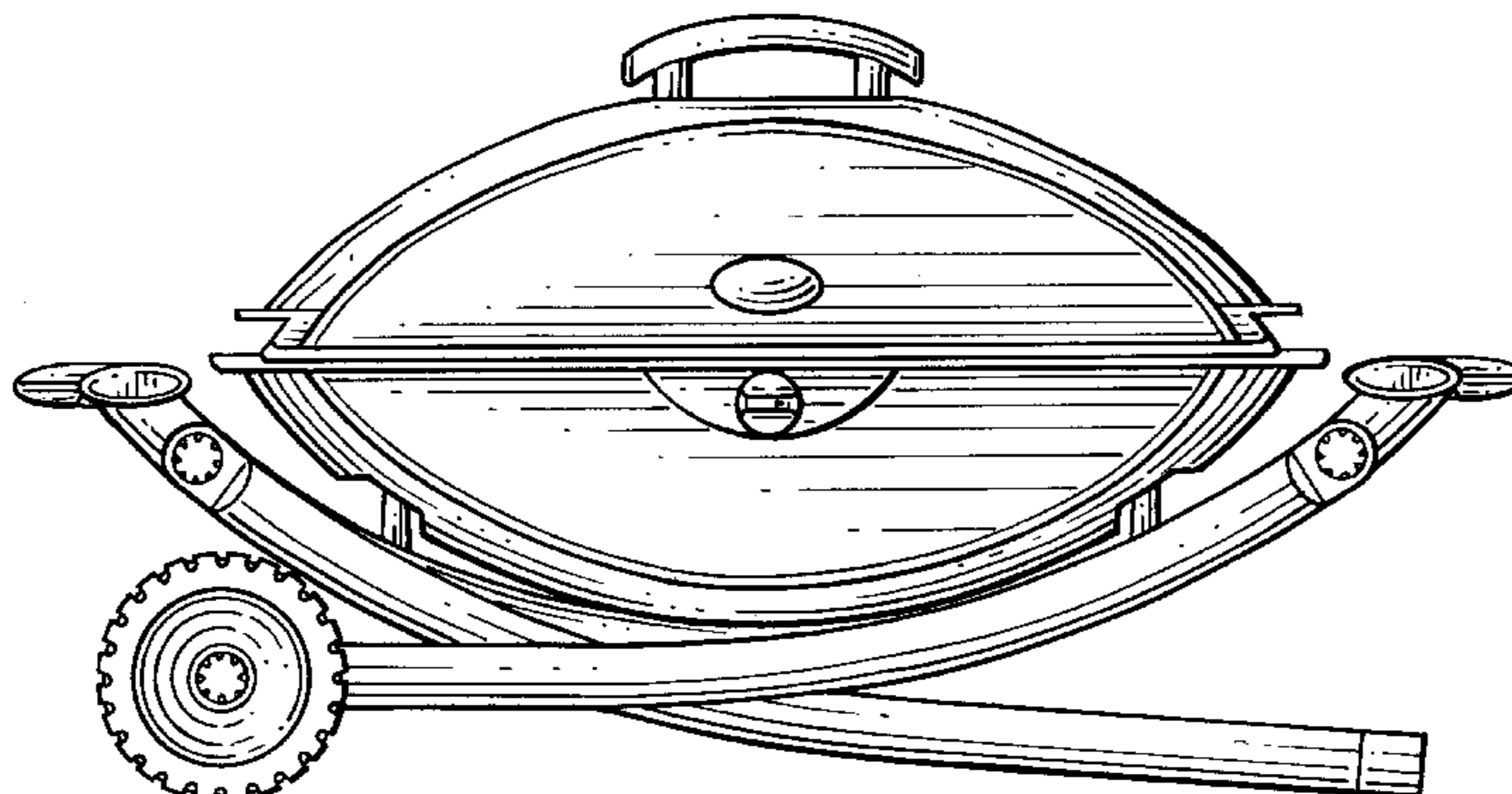
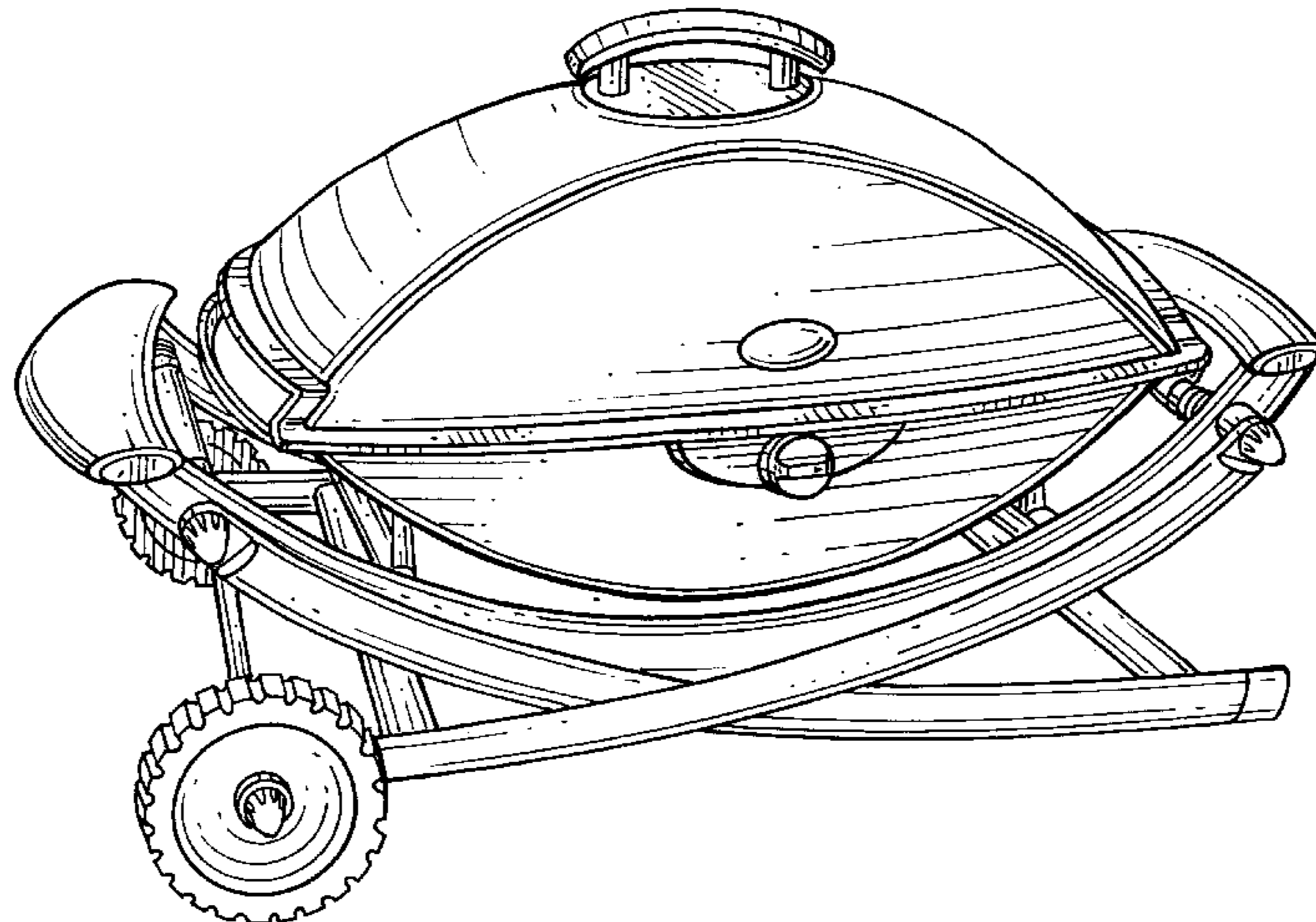
(57) **CLAIM**

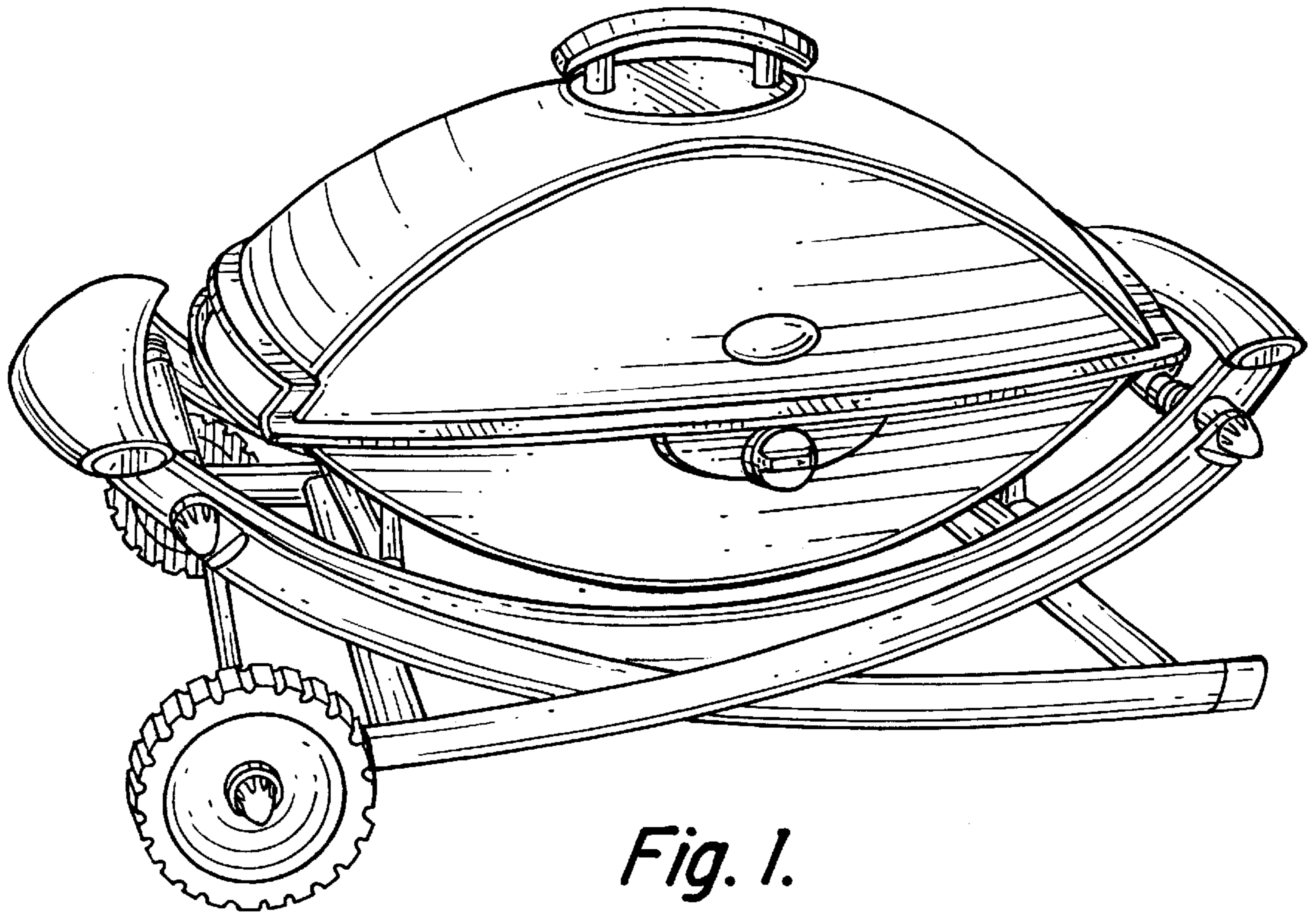
The ornamental design for a large sized portable cooking apparatus, as shown.

**DESCRIPTION**

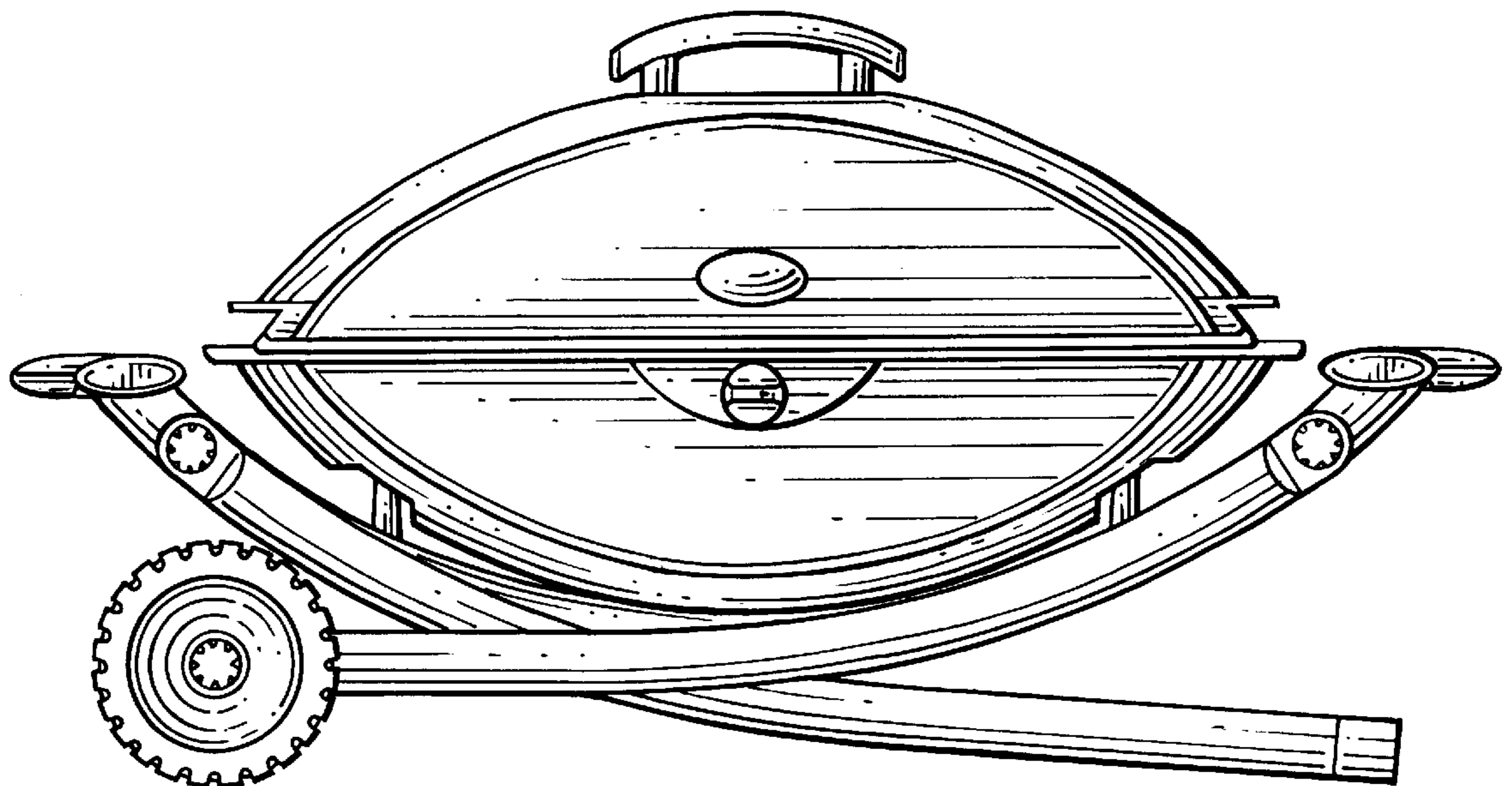
FIG. 1 is a front perspective view of a large sized portable cooking apparatus showing my new design; FIG. 2 is a front elevational view thereof; FIG. 3 is a left side elevational view thereof; FIG. 4 is a rear elevational view thereof; FIG. 5 is a right side elevational view thereof; and, FIG. 6 is a top plan view thereof.

**1 Claim, 3 Drawing Sheets**

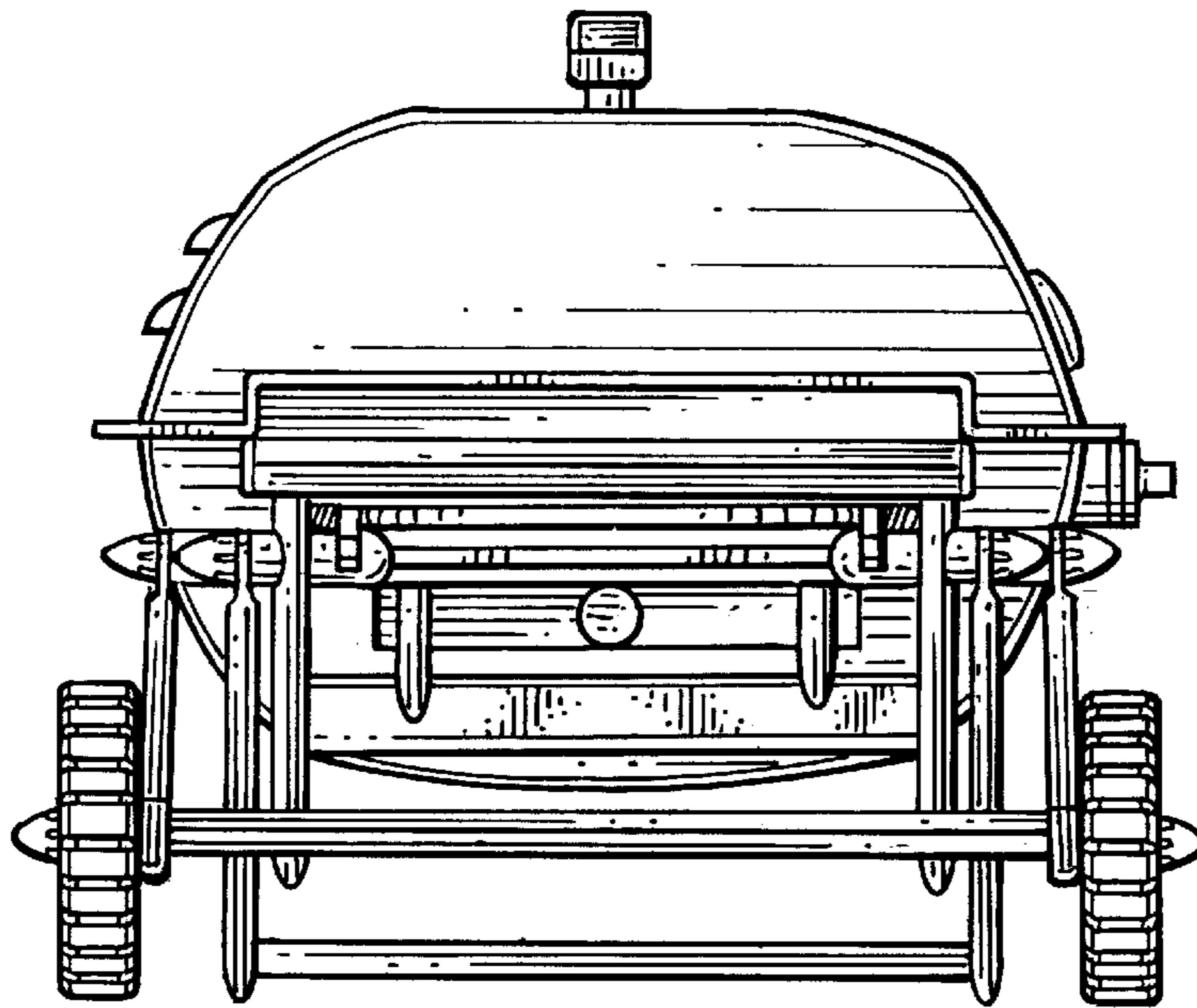




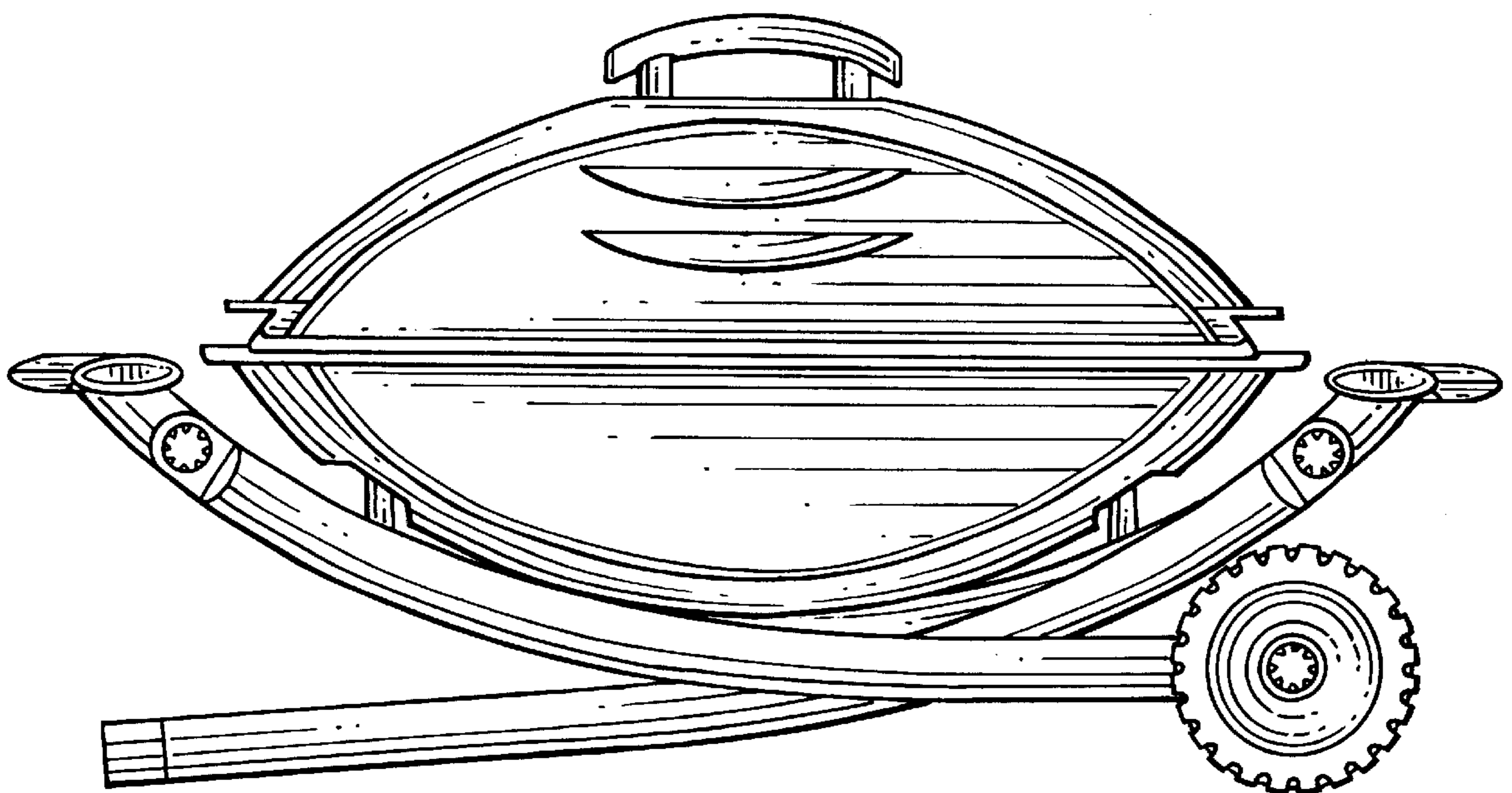
*Fig. 1.*



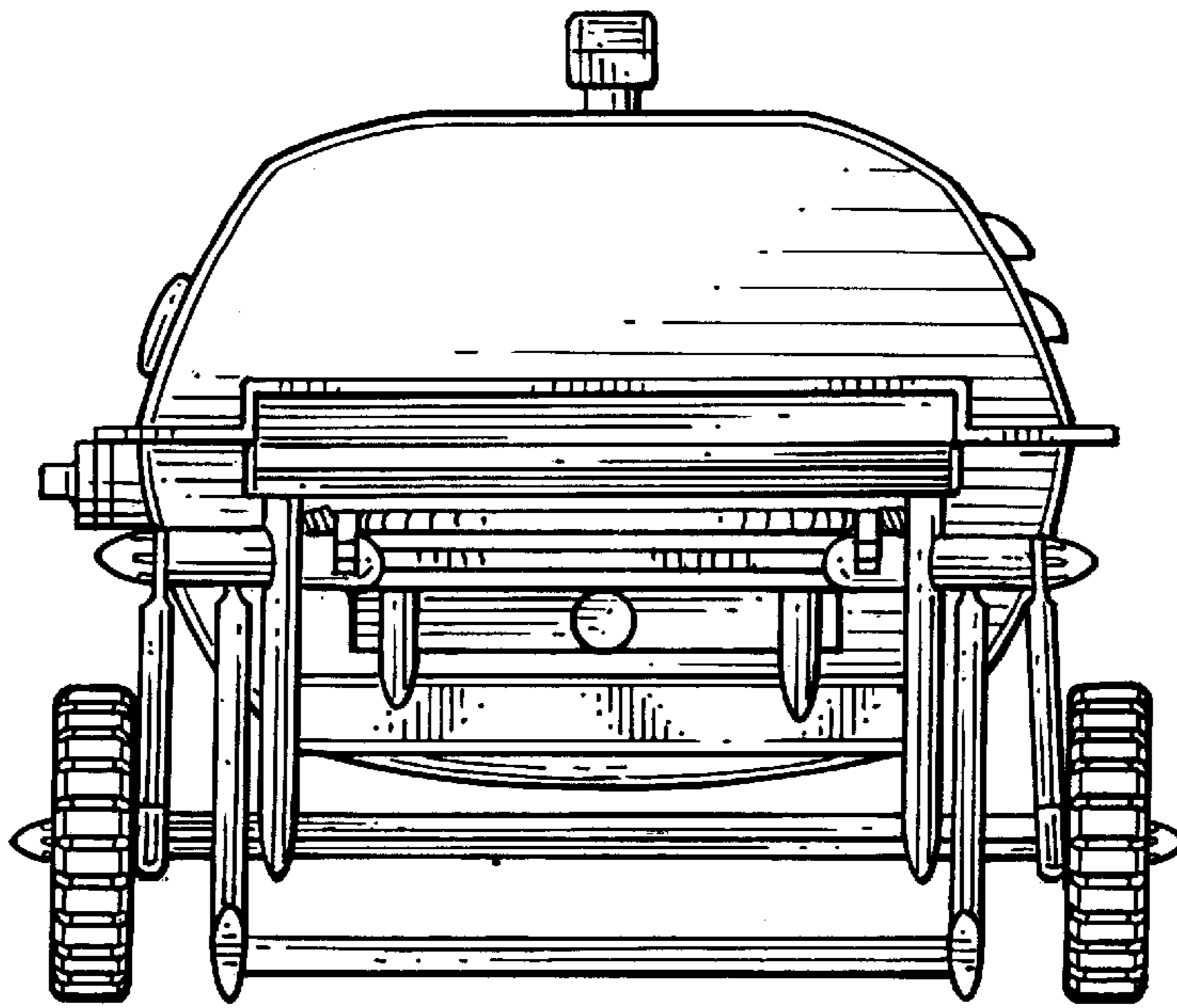
*Fig. 2.*



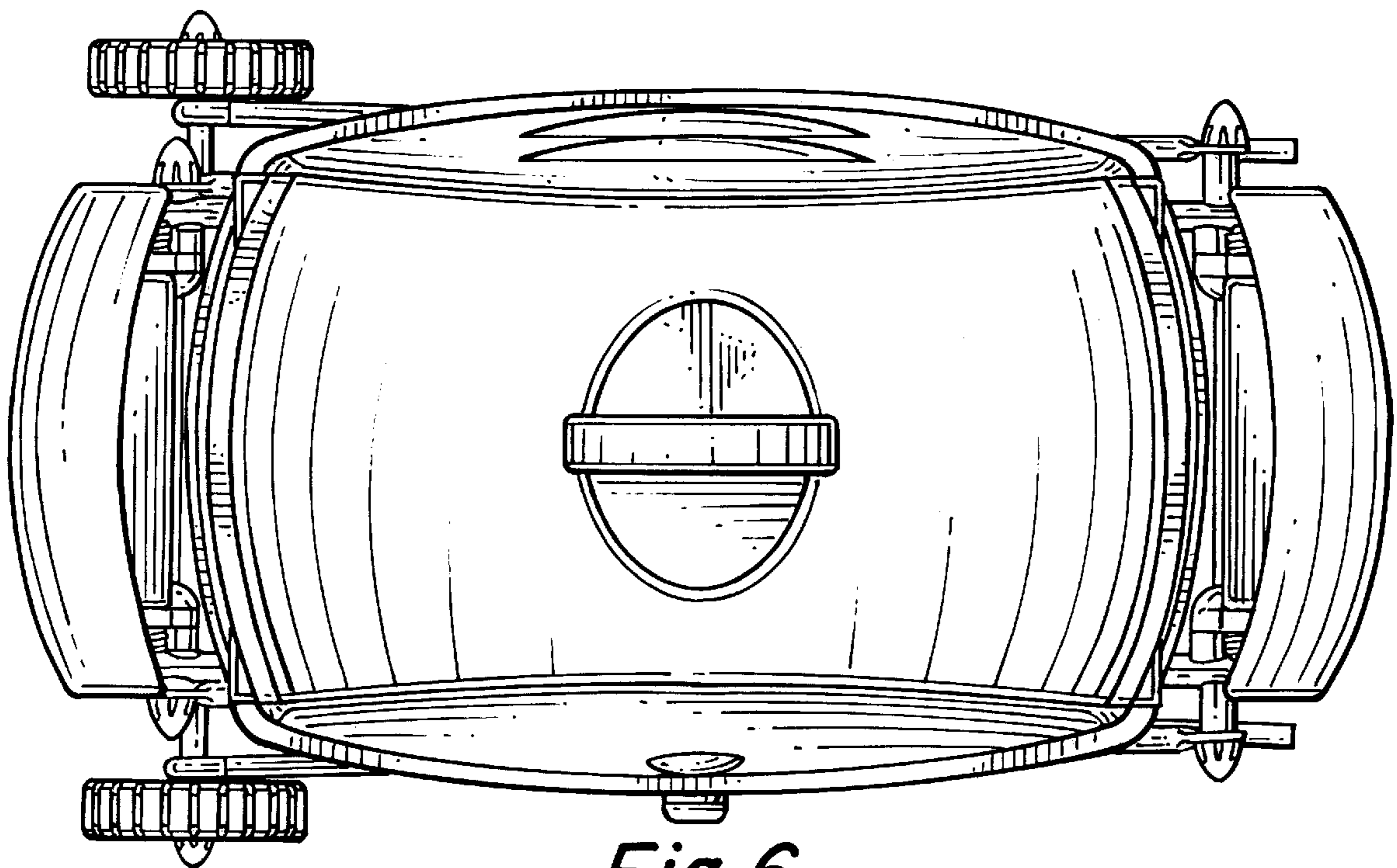
*Fig. 3.*



*Fig. 4.*



*Fig. 5.*



*Fig. 6.*