



US00D457029S

(12) **United States Design Patent**
Wickizer

(10) **Patent No.: US D457,029 S**

(45) **Date of Patent: ** May 14, 2002**

(54) **PORTABLE GRILL**

(76) Inventor: **Mark D. Wickizer**, 1547 Quince Rd.,
Walkerton, IN (US) 46574

(**) Term: **14 Years**

(21) Appl. No.: **29/129,093**

(22) Filed: **Sep. 7, 2000**

(51) **LOC (7) Cl. 07-02**

(52) **U.S. Cl. D7/332**

(58) **Field of Search** D7/332, 334, 335,
D7/336, 337, 402, 409; 126/25 R, 25 A,
25 AA, 41 R, 29-30, 9 R, 9 B, 4, 6, 506,
519; D23/343, 348, 350, 317, 332, 334-336,
338-339; 99/443, 450, 421 R; 248/156

(56) **References Cited**

U.S. PATENT DOCUMENTS

D186,487 S * 10/1959 Brooks D7/336
D191,186 S * 8/1961 Maki D7/336
4,979,490 A * 12/1990 Nudo et al. 126/30

D342,184 S * 12/1993 Sanchez D7/335
D369,939 S * 5/1996 Gibbs D7/335
D396,379 S * 7/1998 Stoetzel D7/335
5,819,718 A * 10/1998 Leiser 126/30

* cited by examiner

Primary Examiner—Ruth McInroy

(74) *Attorney, Agent, or Firm*—Leo H. McCormick, Jr.

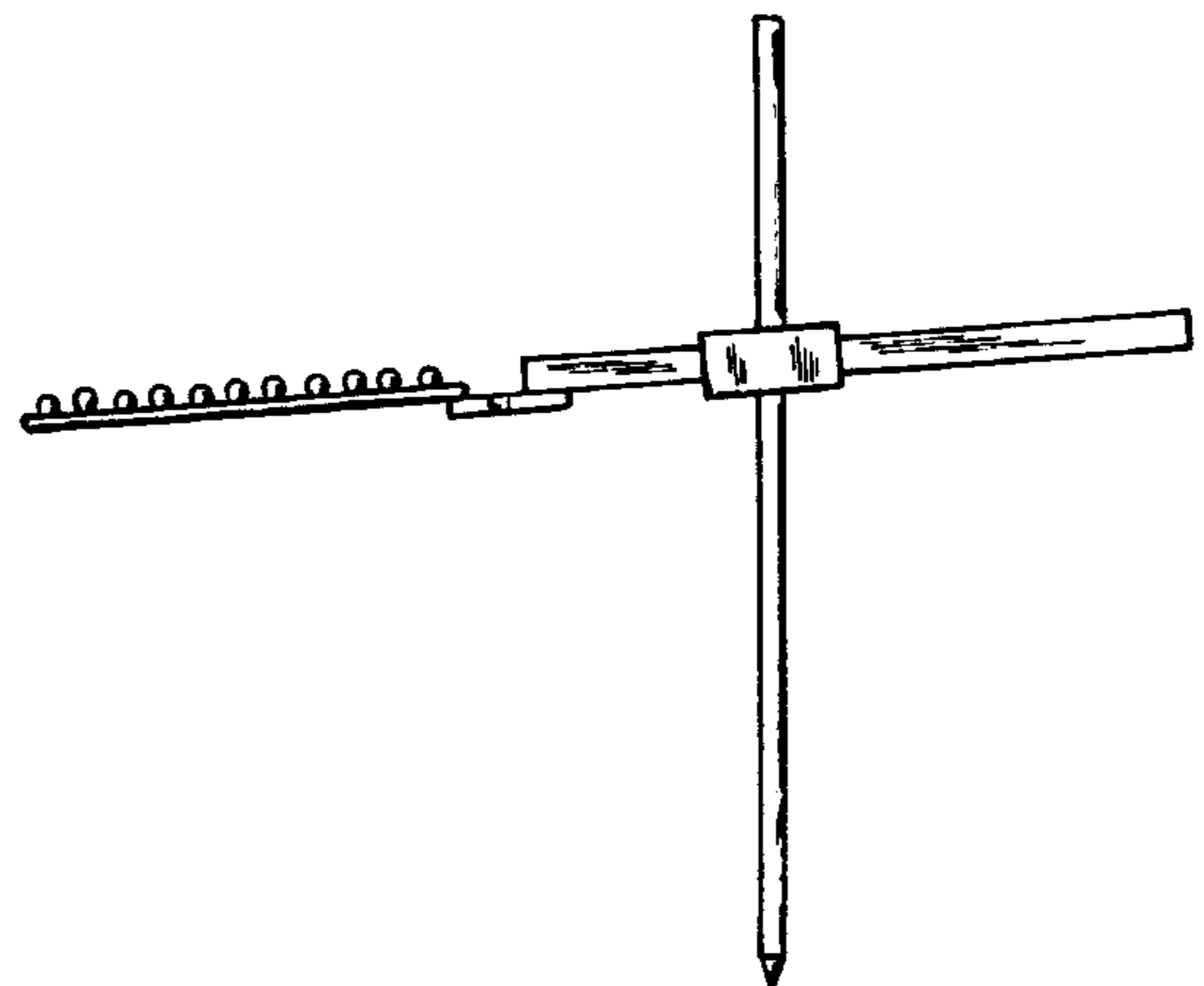
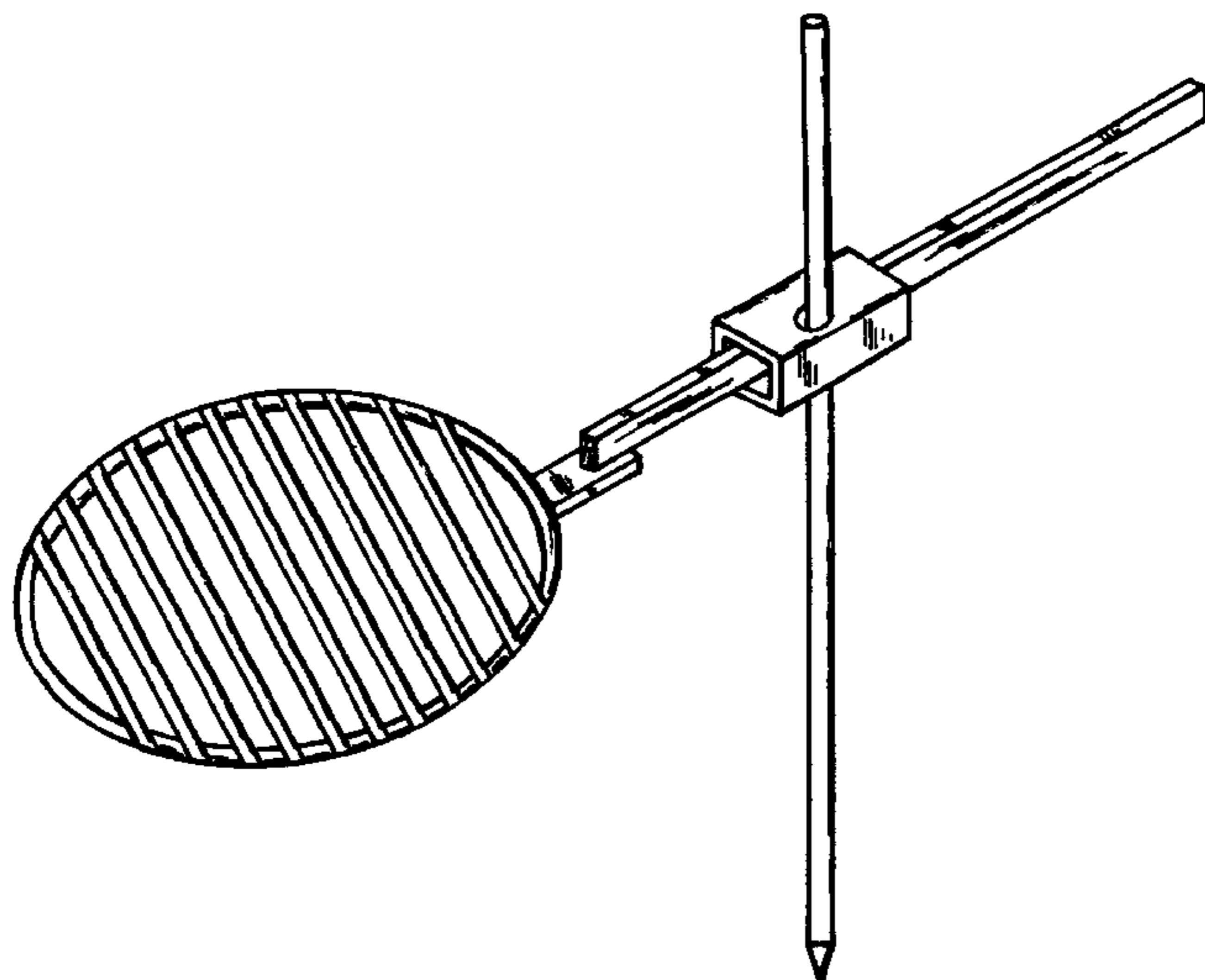
(57) **CLAIM**

The ornamental design for a portable grill, as shown and described.

DESCRIPTION

FIG. 1 is a perspective view of a portable grill showing my new design;
FIG. 2 is a top plan view thereof;
FIG. 3 is a right side elevation view thereof;
FIG. 4 is rear elevation view thereof;
FIG. 5 is a left side elevation view thereof;
FIG. 6 is a bottom plan view thereof; and,
FIG. 7 is a front elevation view thereof.

1 Claim, 2 Drawing Sheets



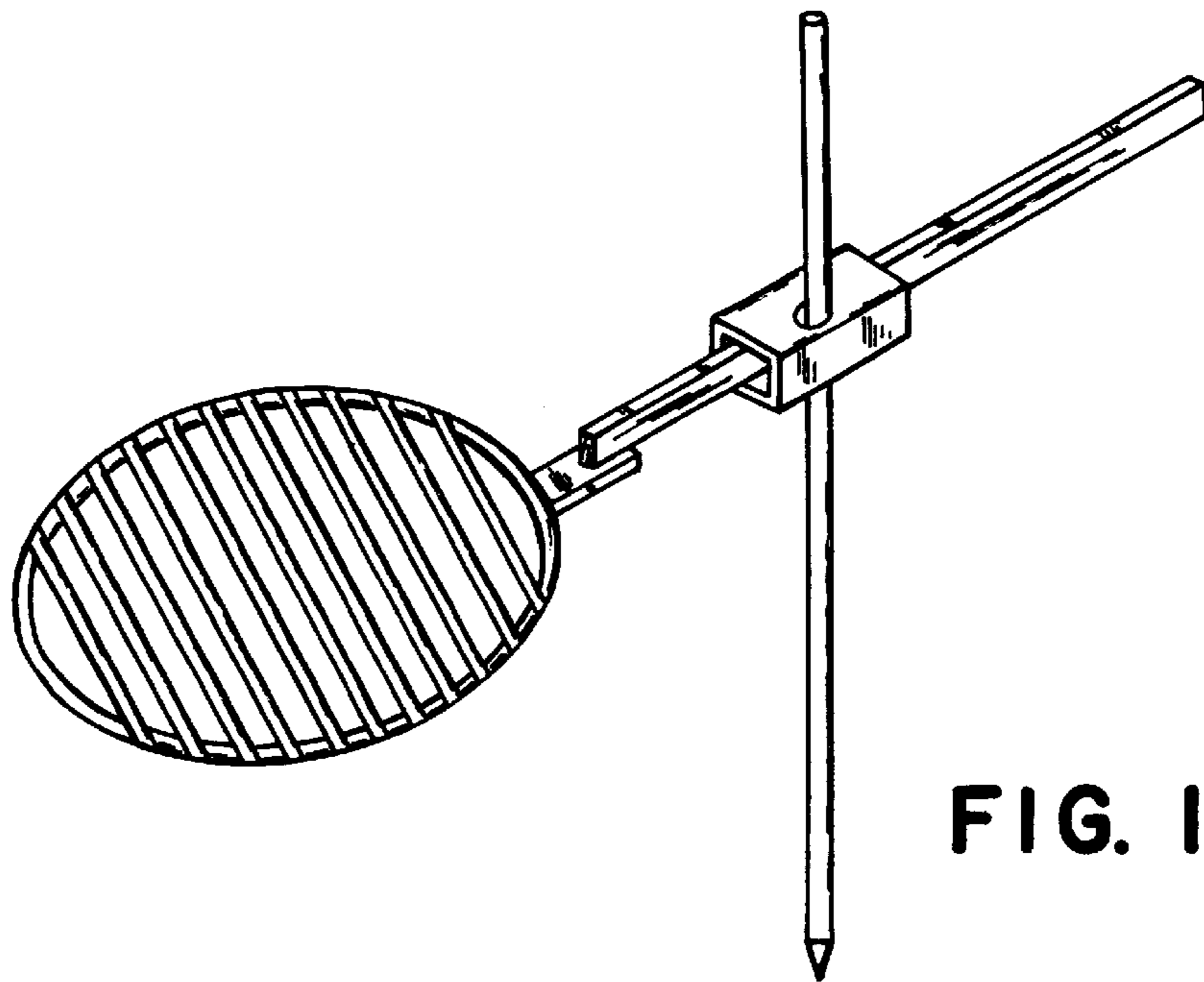


FIG. 1

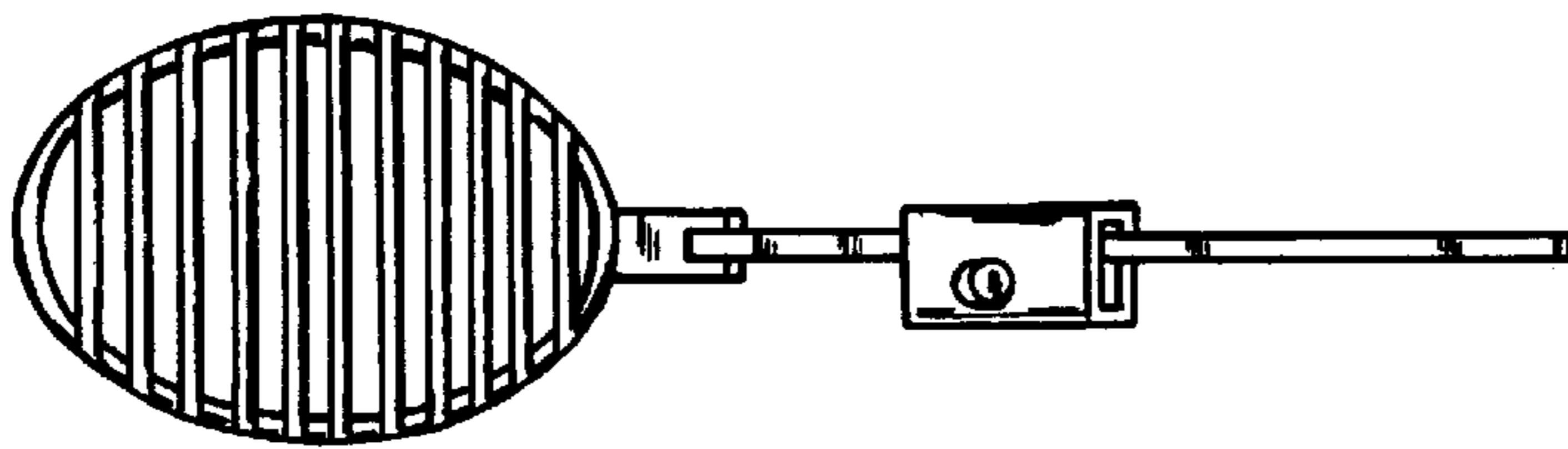


FIG. 2

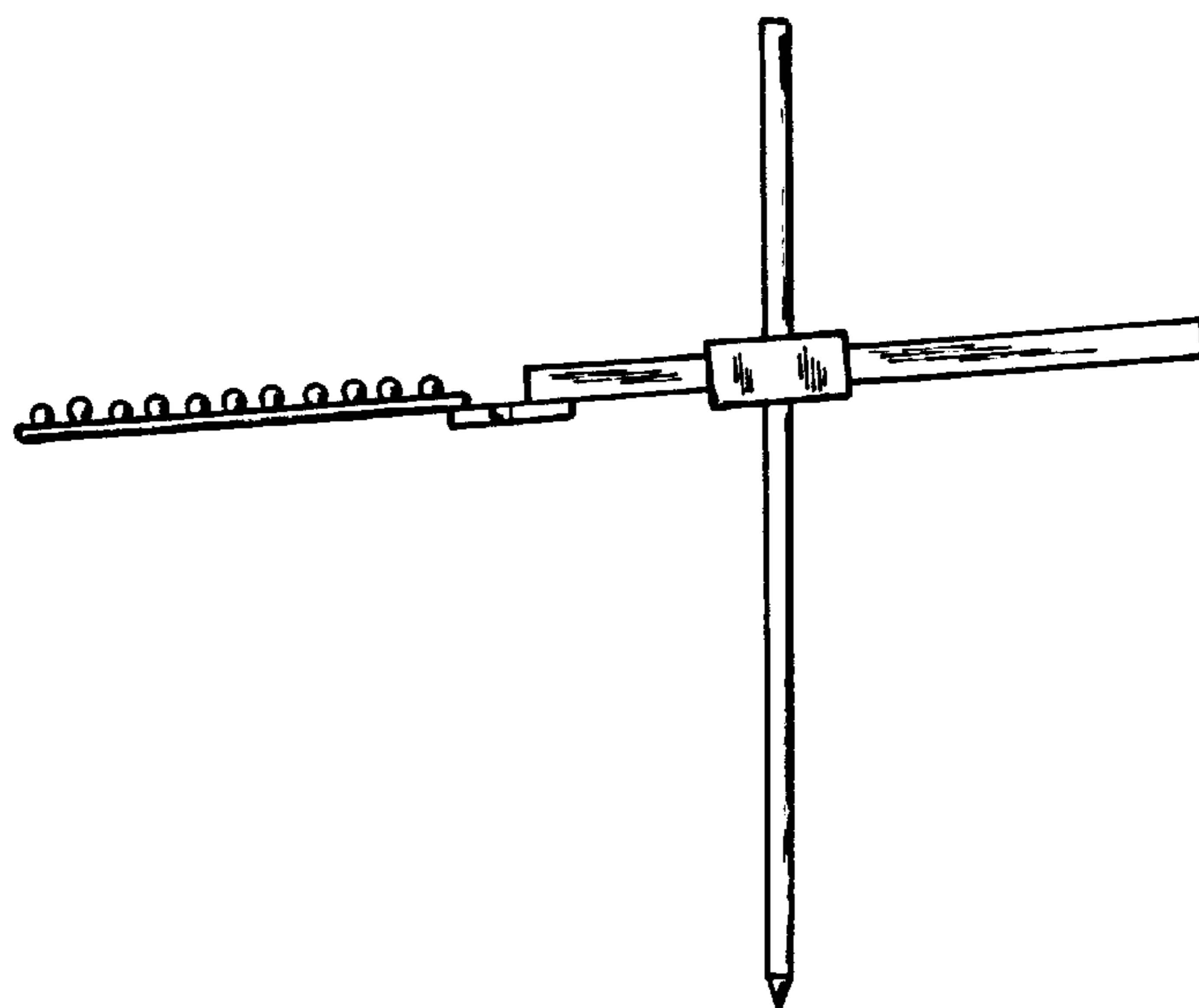


FIG. 3

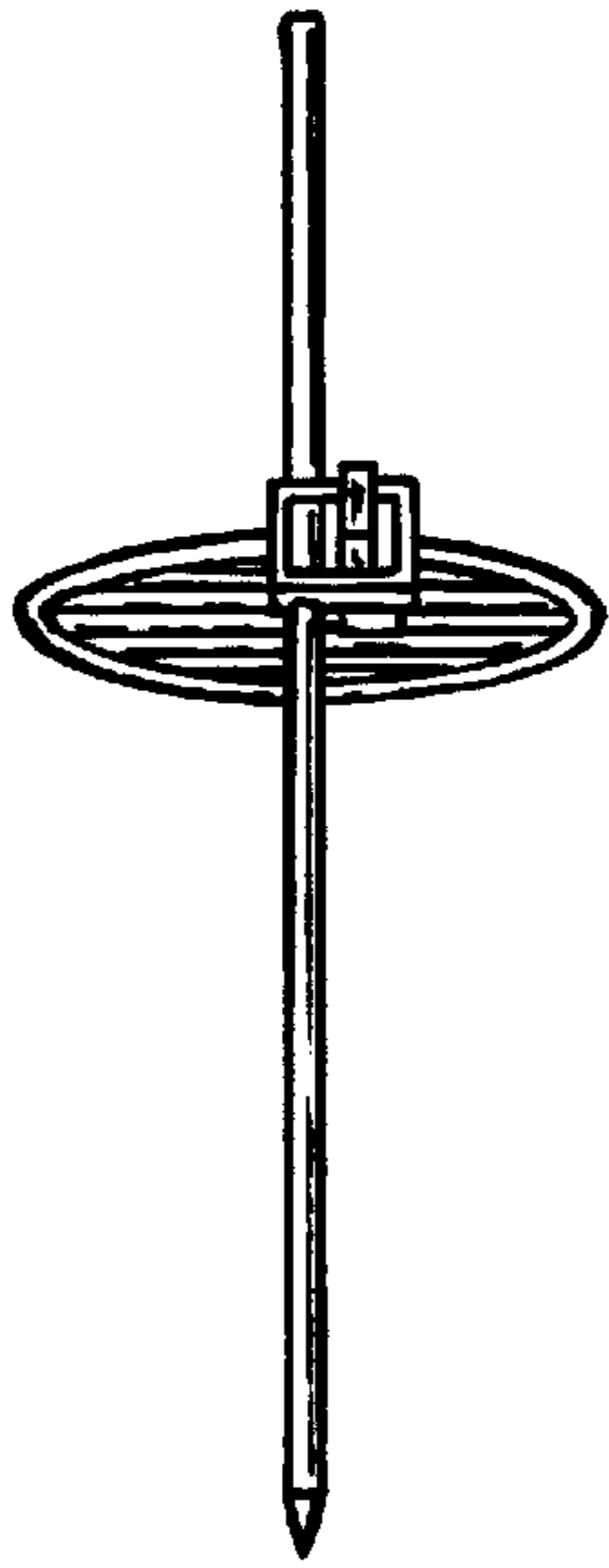


FIG. 4

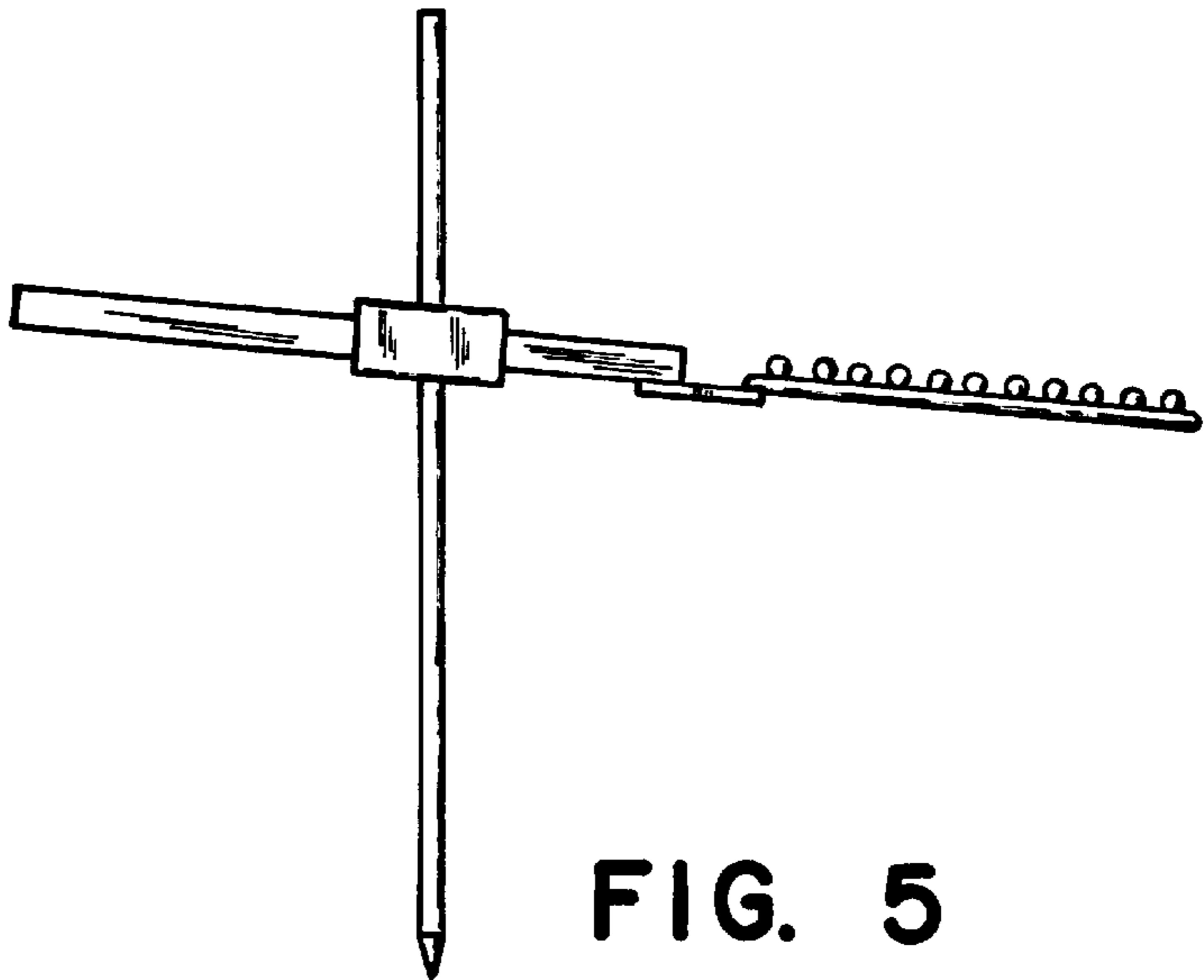


FIG. 5

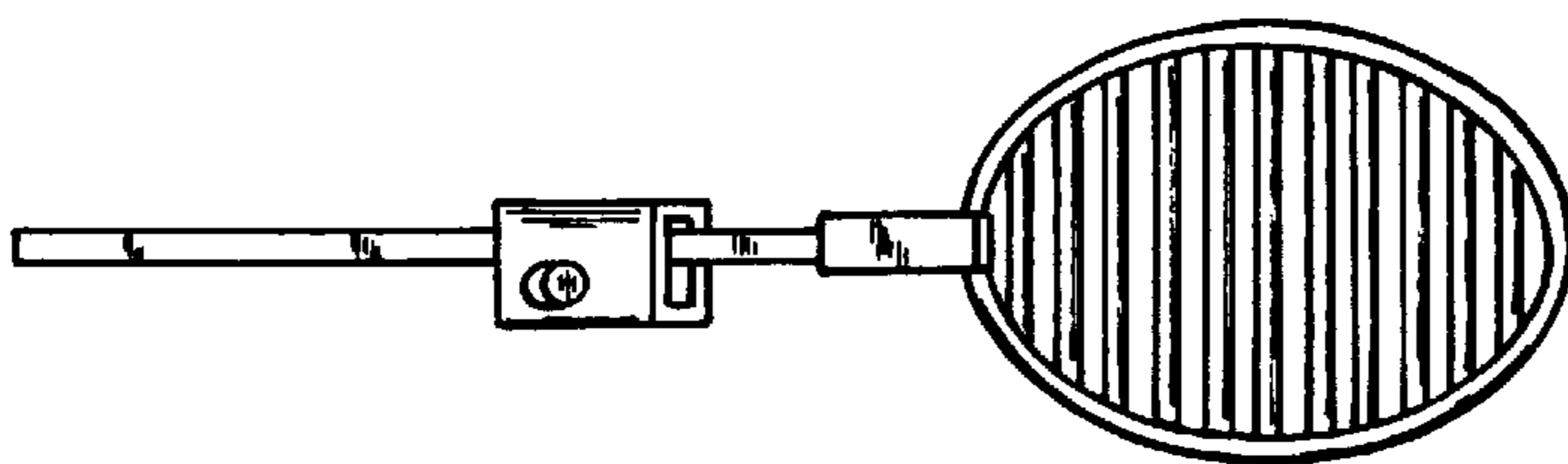


FIG. 6

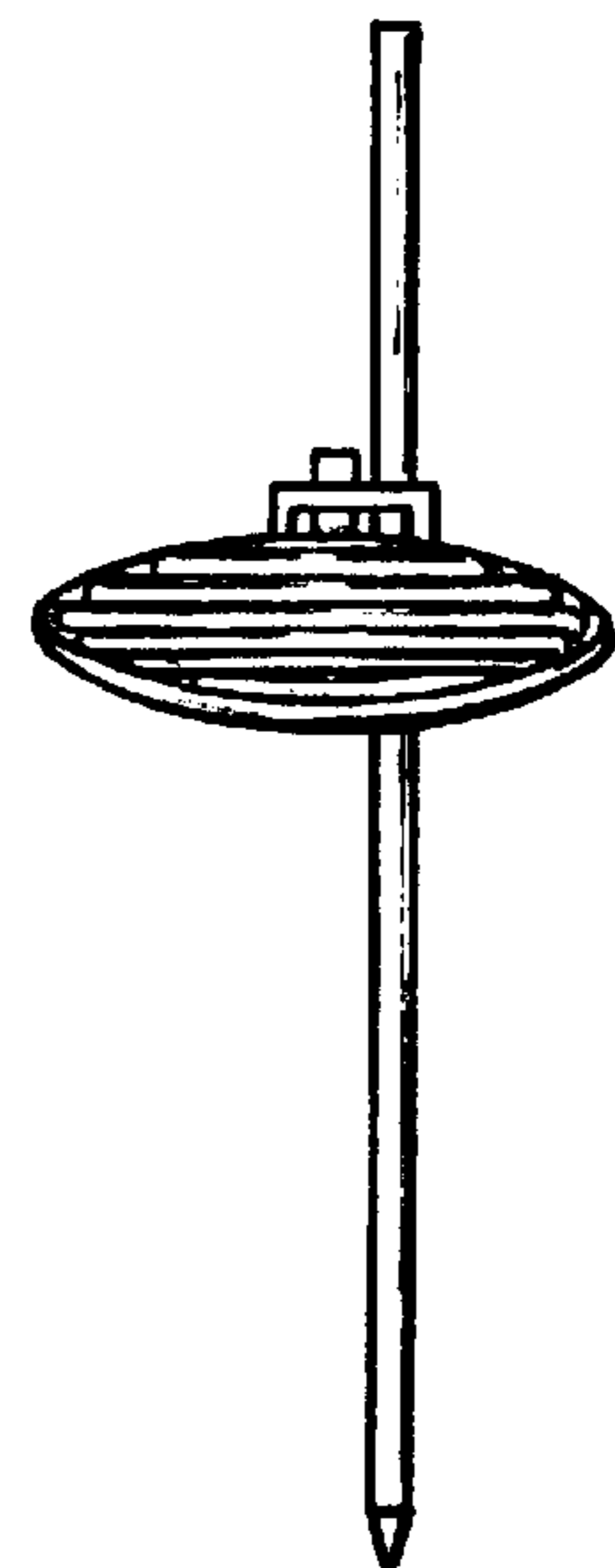


FIG. 7