



US00D457027S

(12) **United States Design Patent**  
**Müller et al.**

(10) **Patent No.:** **US D457,027 S**

(45) **Date of Patent:** **\*\* May 14, 2002**

(54) **SHELF SYSTEM**

(75) Inventors: **Karl H. Müller; David M. Gresham,**  
both of Grand Rapids, MI (US)

(73) Assignee: **Steelcase Development Corporation,**  
Caledonia, MI (US)

(\*\*) Term: **14 Years**

(21) Appl. No.: **29/133,291**

(22) Filed: **Nov. 28, 2000**

(51) **LOC (7) Cl.** ..... **06-04**

(52) **U.S. Cl.** ..... **D6/574; D6/569; D6/570**

(58) **Field of Search** ..... **D6/553, 555, 567,**  
**D6/569, 570, 574; 211/13.1, 30, 32, 34,**  
**35, 86.01, 87.01, 88.01, 90.01, 126.1, 134;**  
**312/245**

(56) **References Cited**

**U.S. PATENT DOCUMENTS**

D225,803 S	*	1/1973	Moore	.....	D6/571
D295,007 S	*	4/1988	Hardy et al.	.....	D6/555
D314,486 S	*	2/1991	Day	.....	D6/574 X
D395,185 S	*	6/1998	Neufeld et al.	.....	D6/555
D441,241 S	*	5/2001	Harris	.....	D6/574 X

\* cited by examiner

*Primary Examiner*—Brian N. Vinson

(74) *Attorney, Agent, or Firm*—Price Heneveld Cooper  
DeWitt & Litton

(57) **CLAIM**

We claim the ornamental design for a shelf system, as shown  
and described.

**DESCRIPTION**

FIG. 1 is a perspective view of first shelf system showing our  
design;

FIG. 2 is a front view of FIG. 1;

FIG. 3 is a top view of FIG. 1, the bottom view being a  
mirror image thereof;

FIG. 4 is a side view of FIG. 1, the opposite side view being  
a mirror image thereof; and

FIG. 5 is a bottom view thereof.

FIG. 6 is a perspective view of a second shelf system  
showing our design;

FIG. 7 is a front view of FIG. 6;

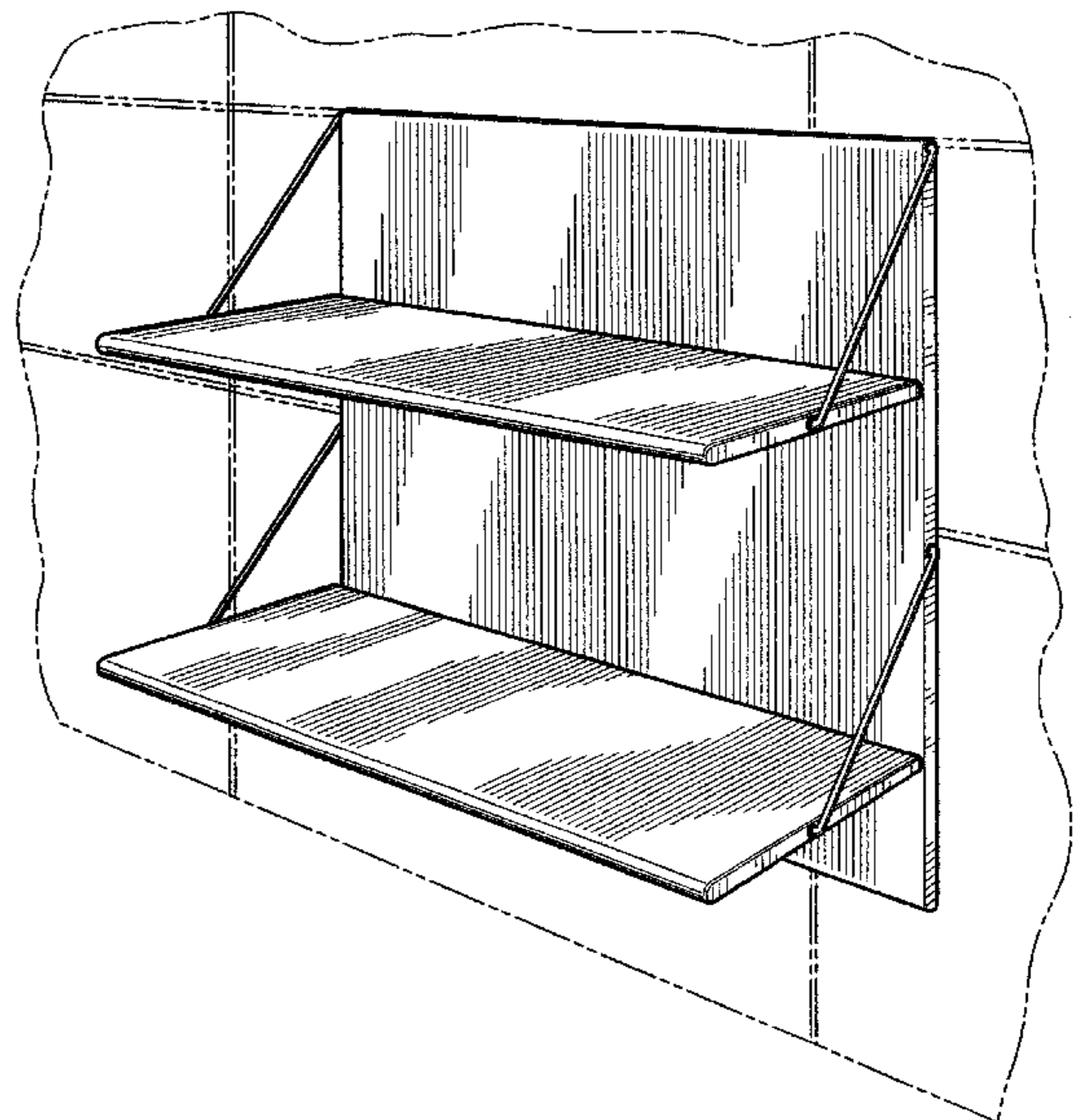
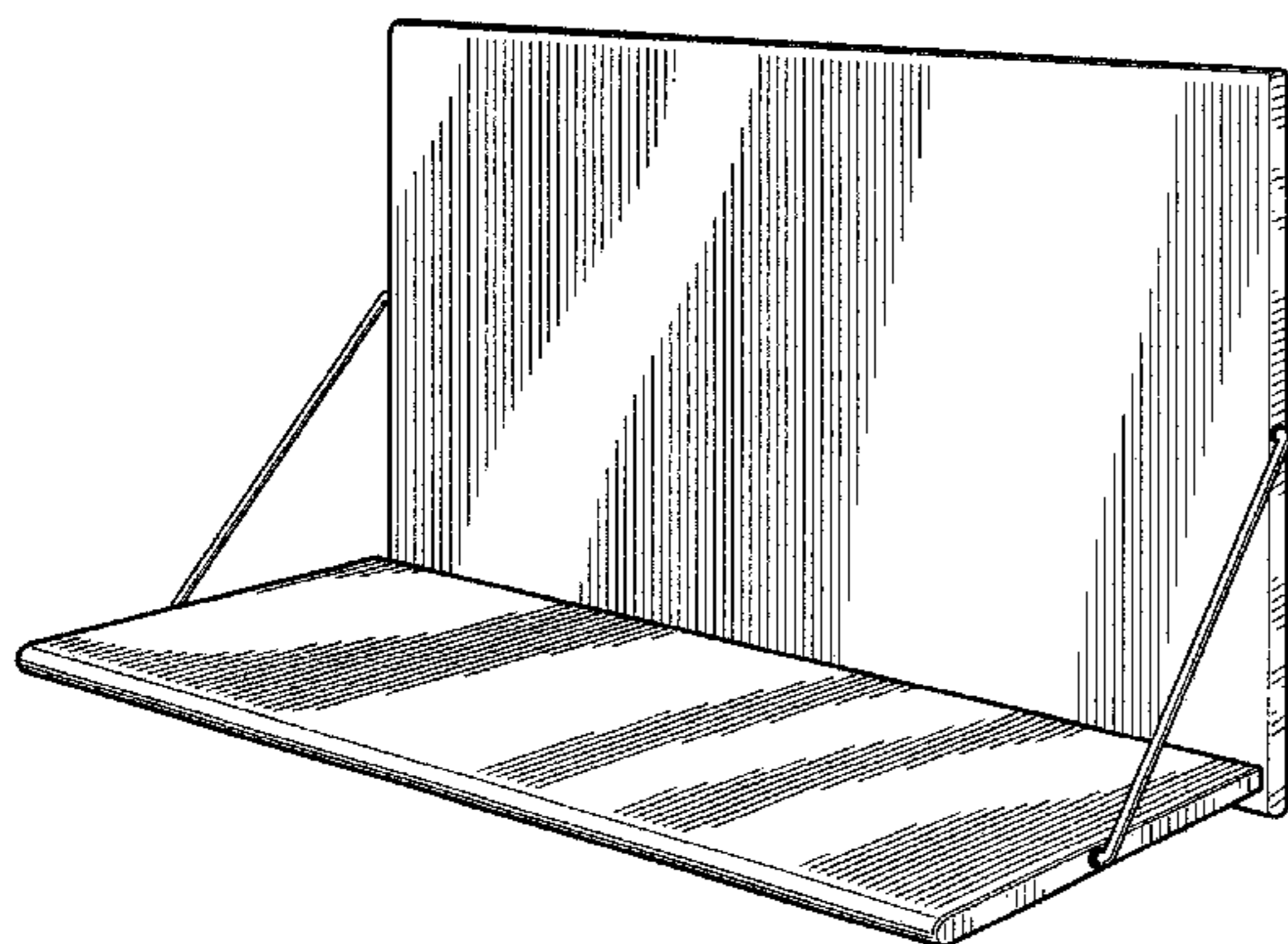
FIG. 8 is a top view of FIG. 6, the bottom view being a  
mirror image of the top view;

FIG. 9 is a side view of FIG. 6, the opposite side view being  
a mirror image thereof; and,

FIG. 10 is a bottom view thereof.

The phantom lines in the FIG. 6 are to show the environment  
and do not form a part of the present invention.

**1 Claim, 4 Drawing Sheets**



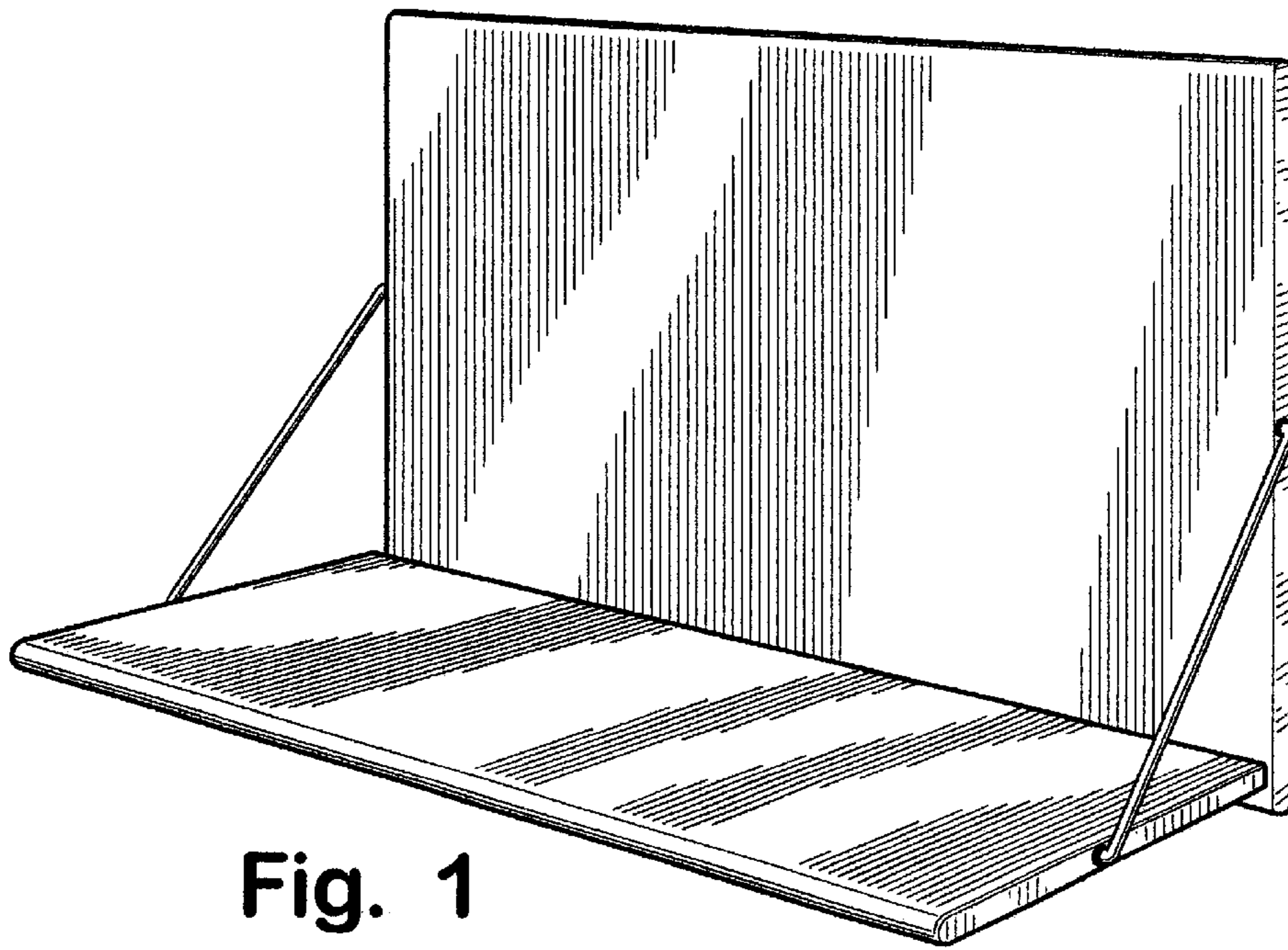


Fig. 1

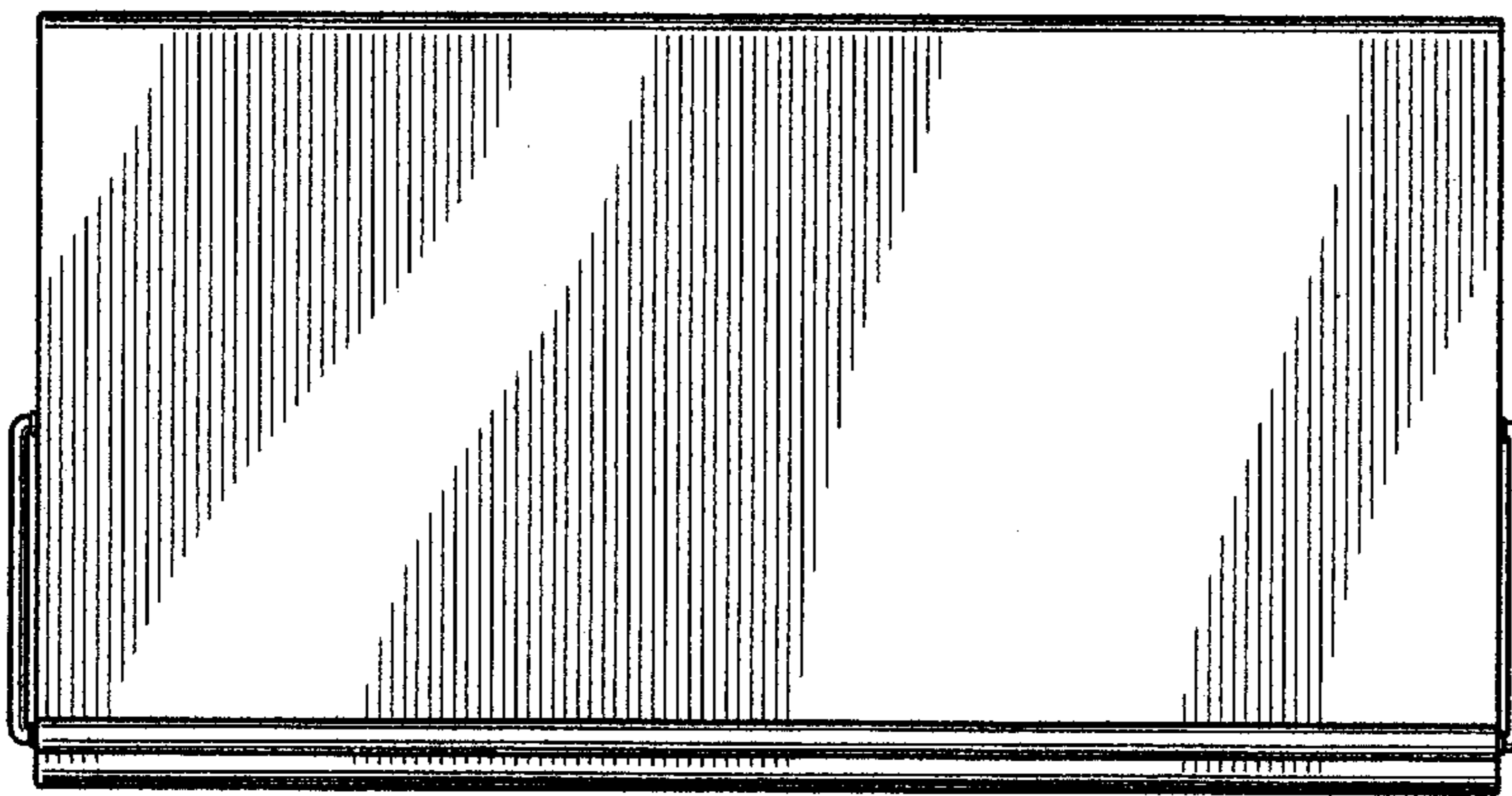


Fig. 2

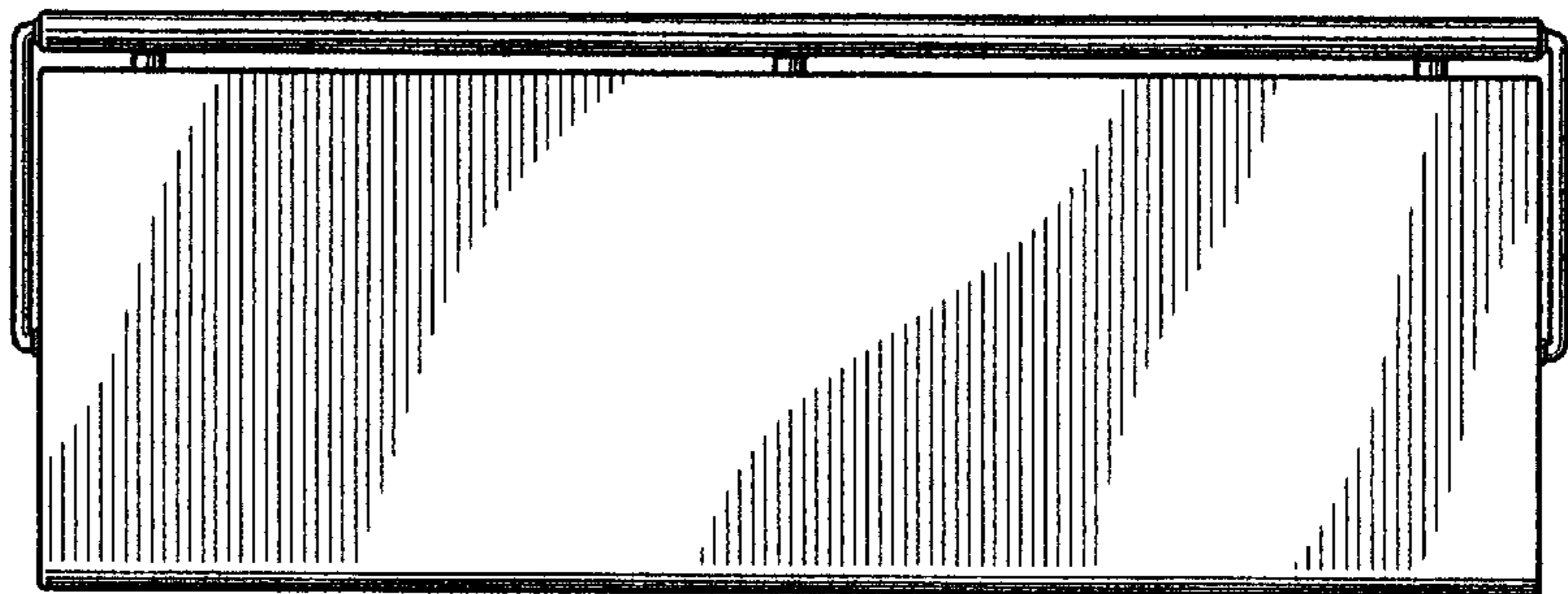
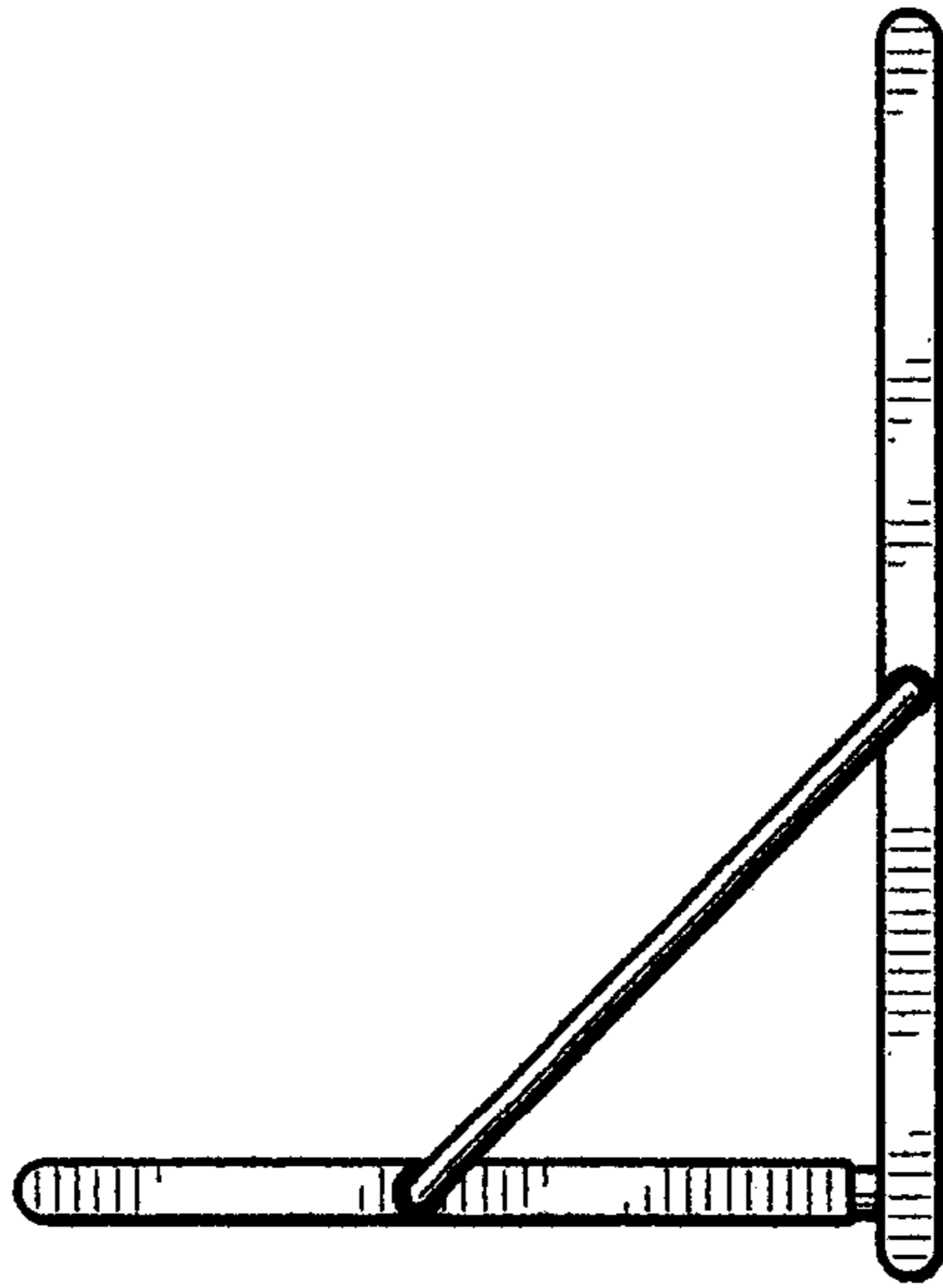
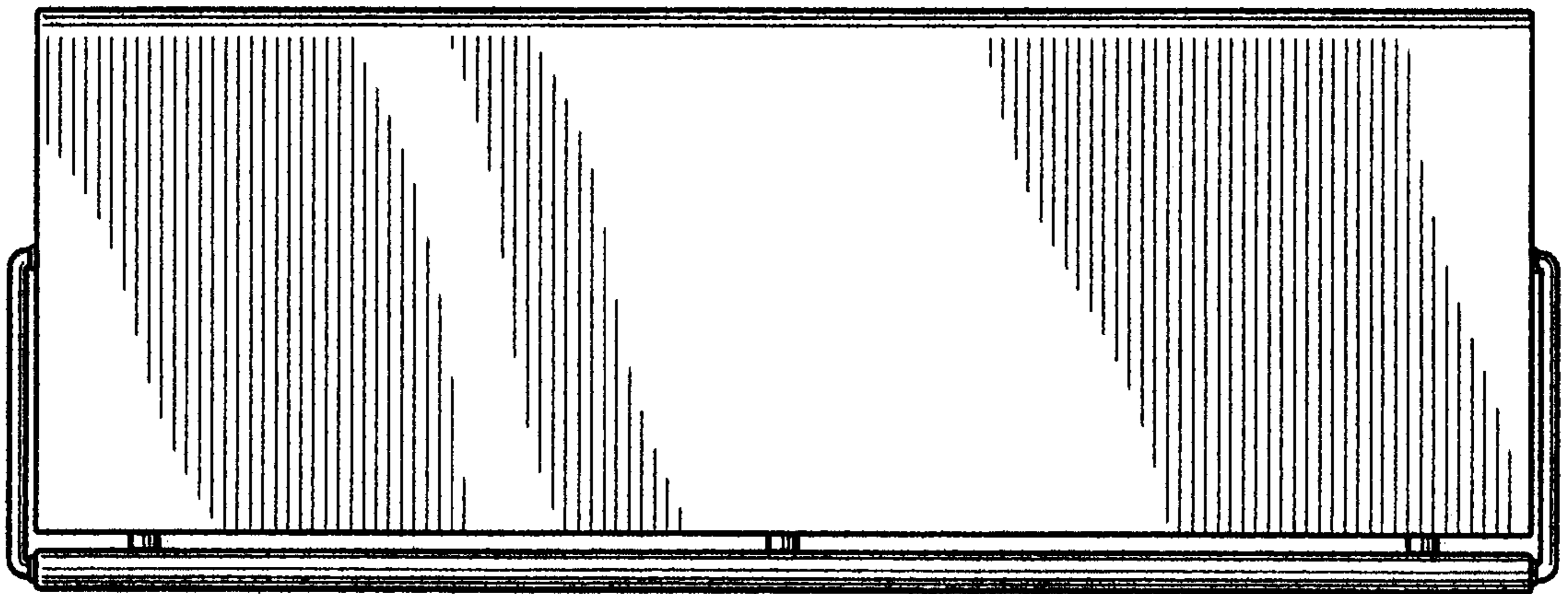


Fig. 3



**Fig. 4**



**Fig. 5**

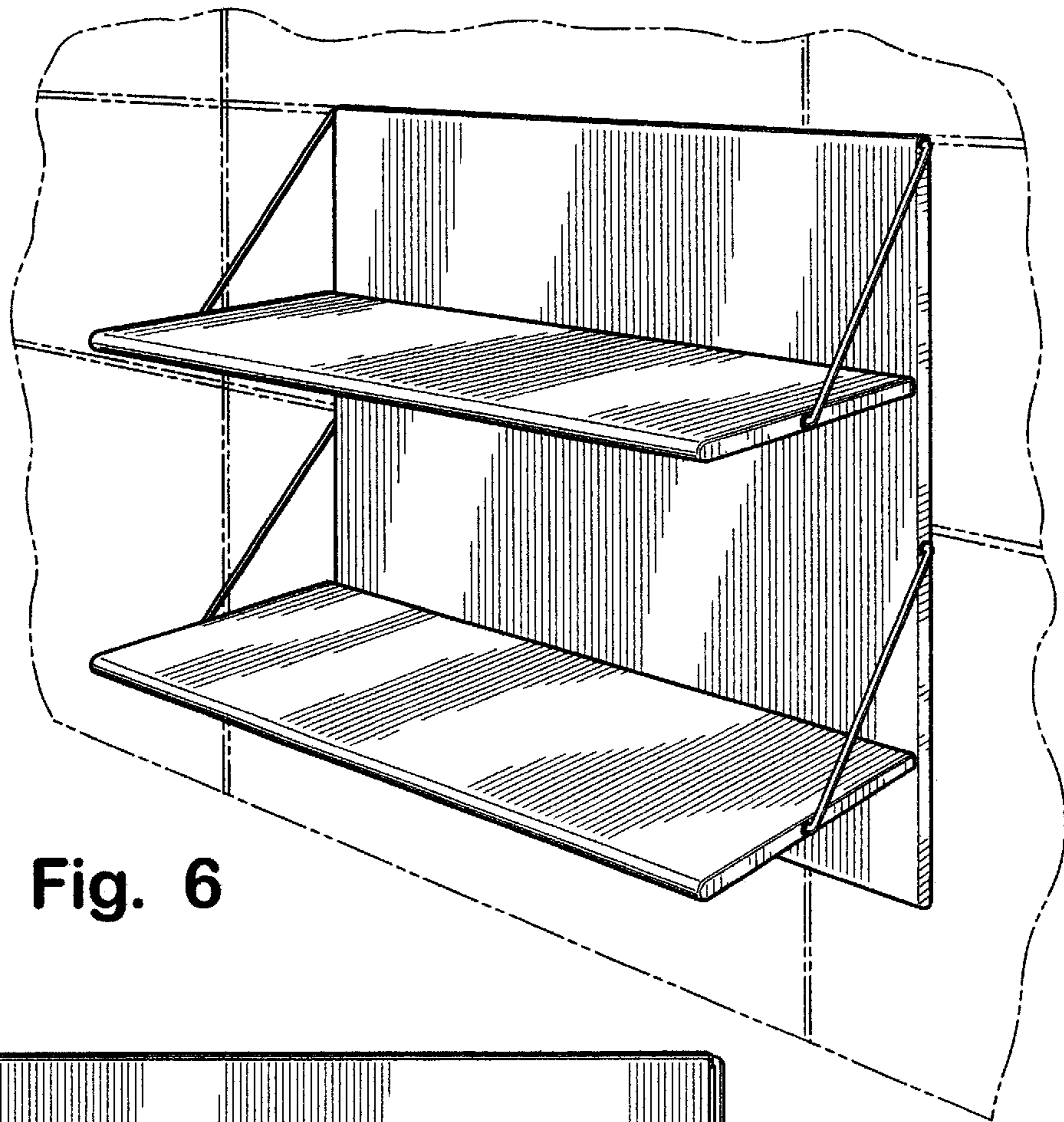


Fig. 6

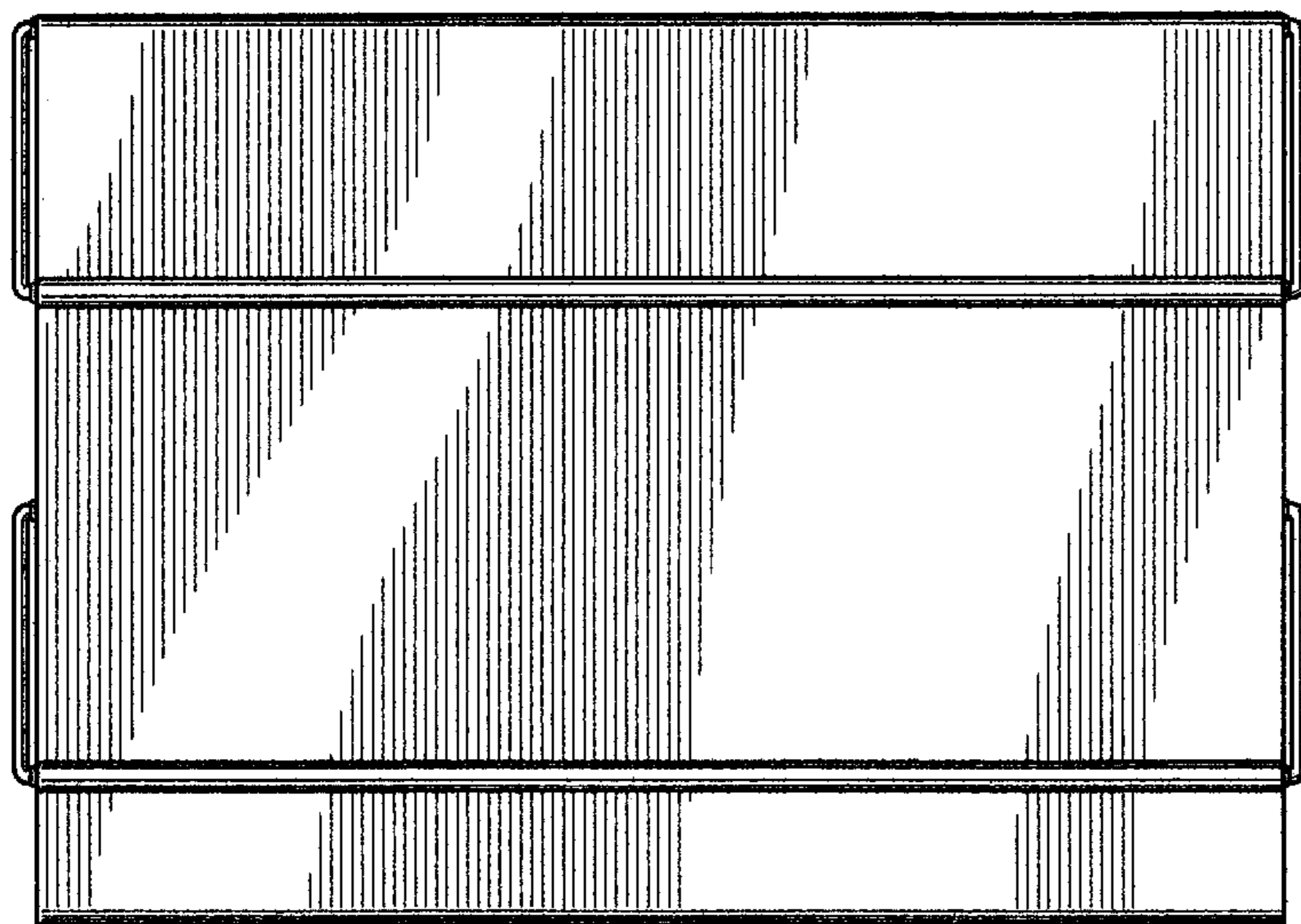


Fig. 7

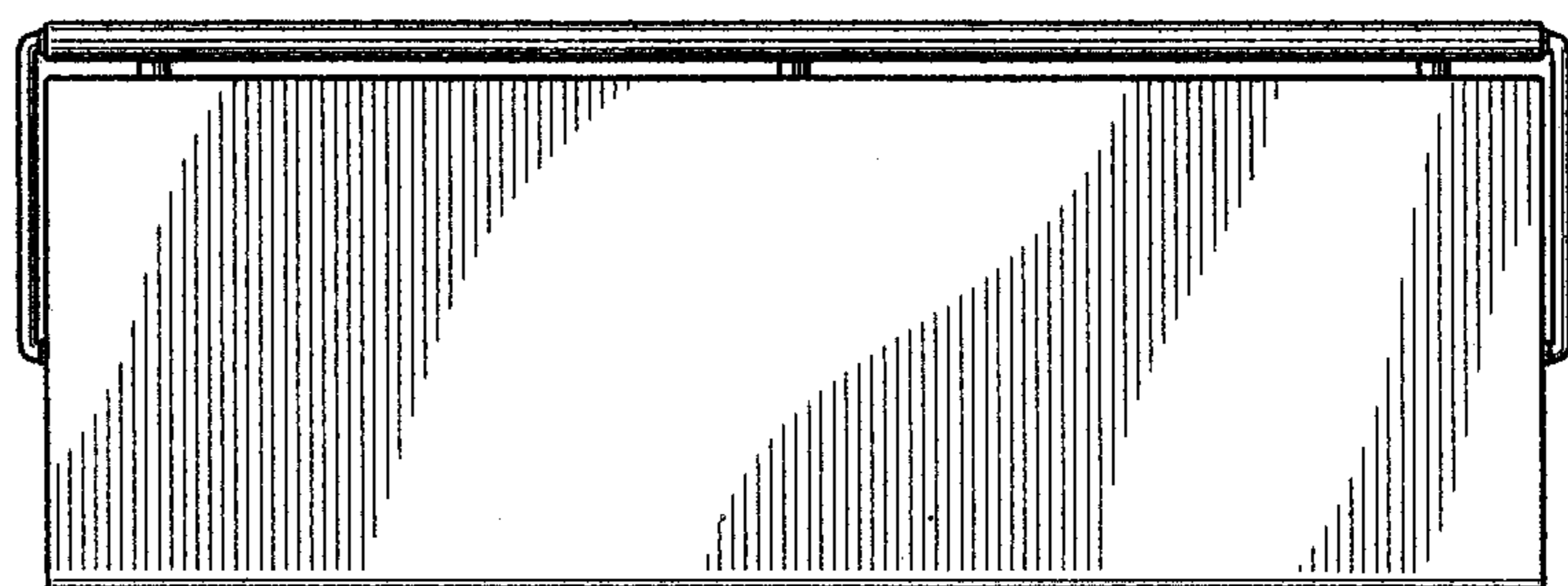
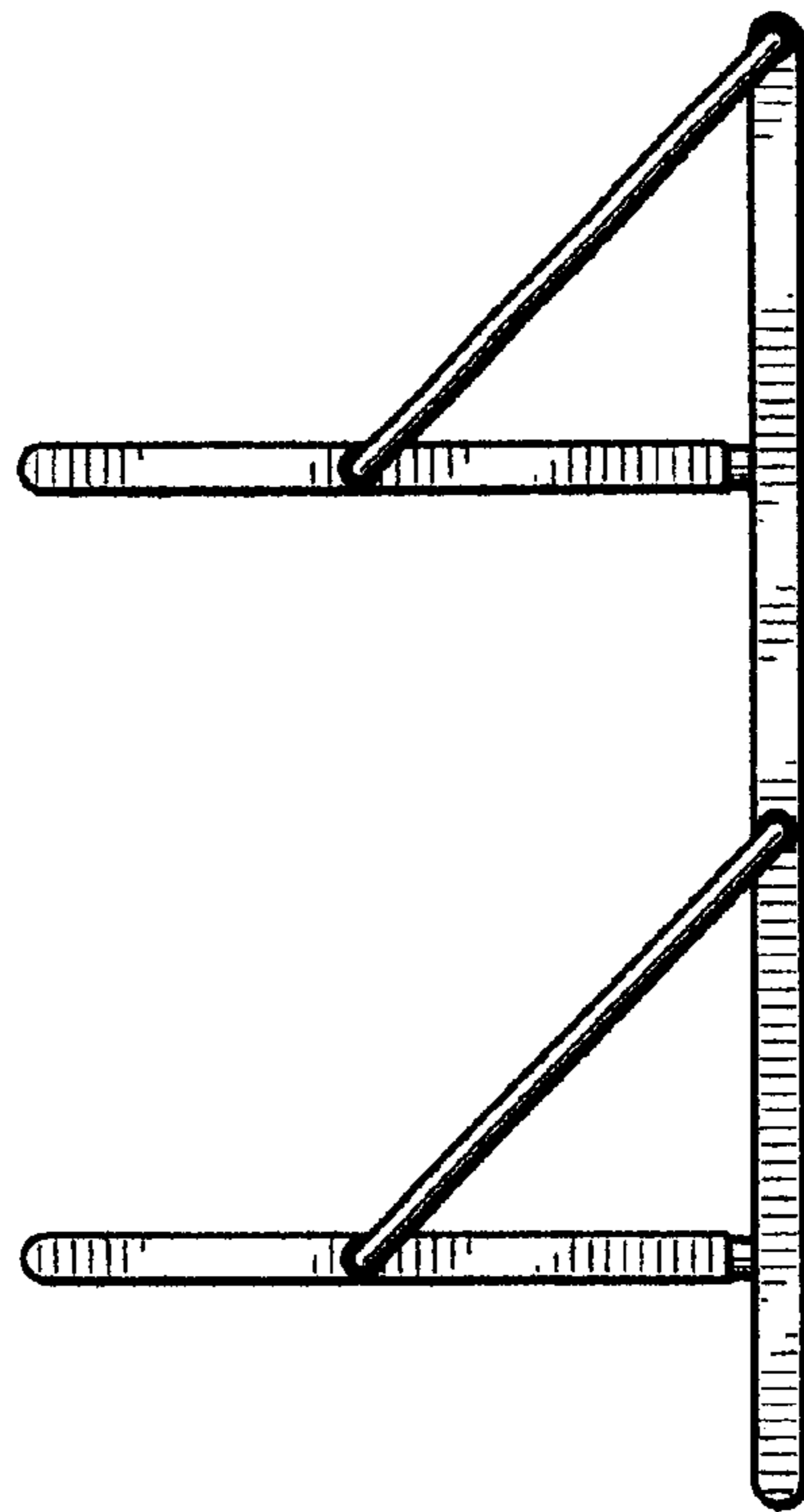
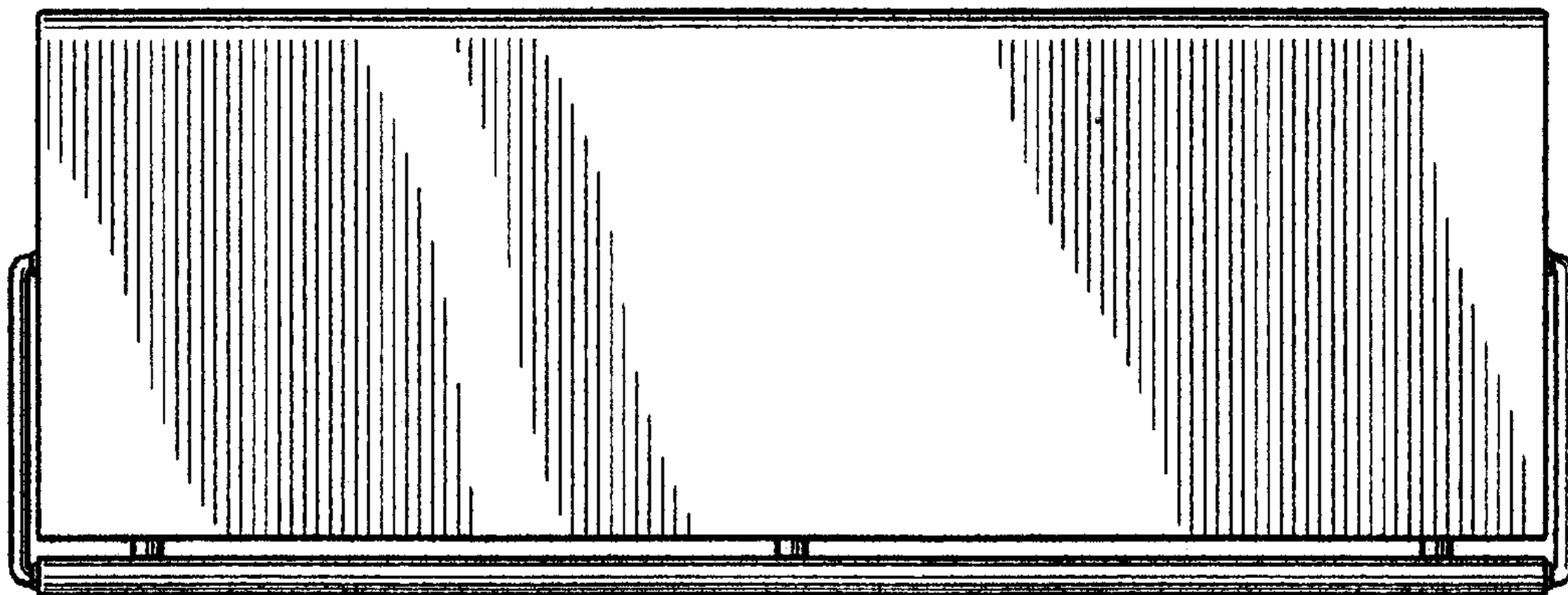


Fig. 8



**Fig. 9**



**Fig. 10**