



US00D457025S

(12) **United States Design Patent**
Davy

(10) **Patent No.: US D457,025 S**

(45) **Date of Patent: ** *May 14, 2002**

(54) **BURP CLOTH STAND AND DISPLAY**

4,993,557 A * 2/1991 Davis 211/49.1

* cited by examiner

(76) Inventor: **Brian Davy**, 4107 Ashworth St.,
Lakewood, CA (US) 90712

Primary Examiner—Brian N. Vinson
(74) *Attorney, Agent, or Firm*—Marcia Devon

(*) Notice: This patent is subject to a terminal disclaimer.

(57) **CLAIM**

(**) Term: **14 Years**

The ornamental design for a burp cloth stand and display, as shown and described.

(21) Appl. No.: **29/099,311**

DESCRIPTION

(22) Filed: **Jan. 19, 1999**

FIG. 1 is a top, front, and right side perspective view of a burp cloth stand and display showing my new design, the broken-line disclosure being for illustrative purposes only and forming no part of the claimed design;

(51) **LOC (7) Cl. 20-02**

(52) **U.S. Cl. D6/515**

FIG. 2 is a reduced front elevational view thereof;

(58) **Field of Search D6/512-518; 211/13.1, 211/16, 49.1, 50**

FIG. 3 is a reduced rear elevational view thereof;

FIG. 4 is a reduced top plan view thereof;

FIG. 5 is a reduced bottom plan view thereof;

FIG. 6 is a reduced right side elevational view thereof; and,

FIG. 7 is a reduced left side elevational view thereof.

(56) **References Cited**

U.S. PATENT DOCUMENTS

4,448,312 A * 5/1984 Schuman 211/13.1 X

1 Claim, 2 Drawing Sheets

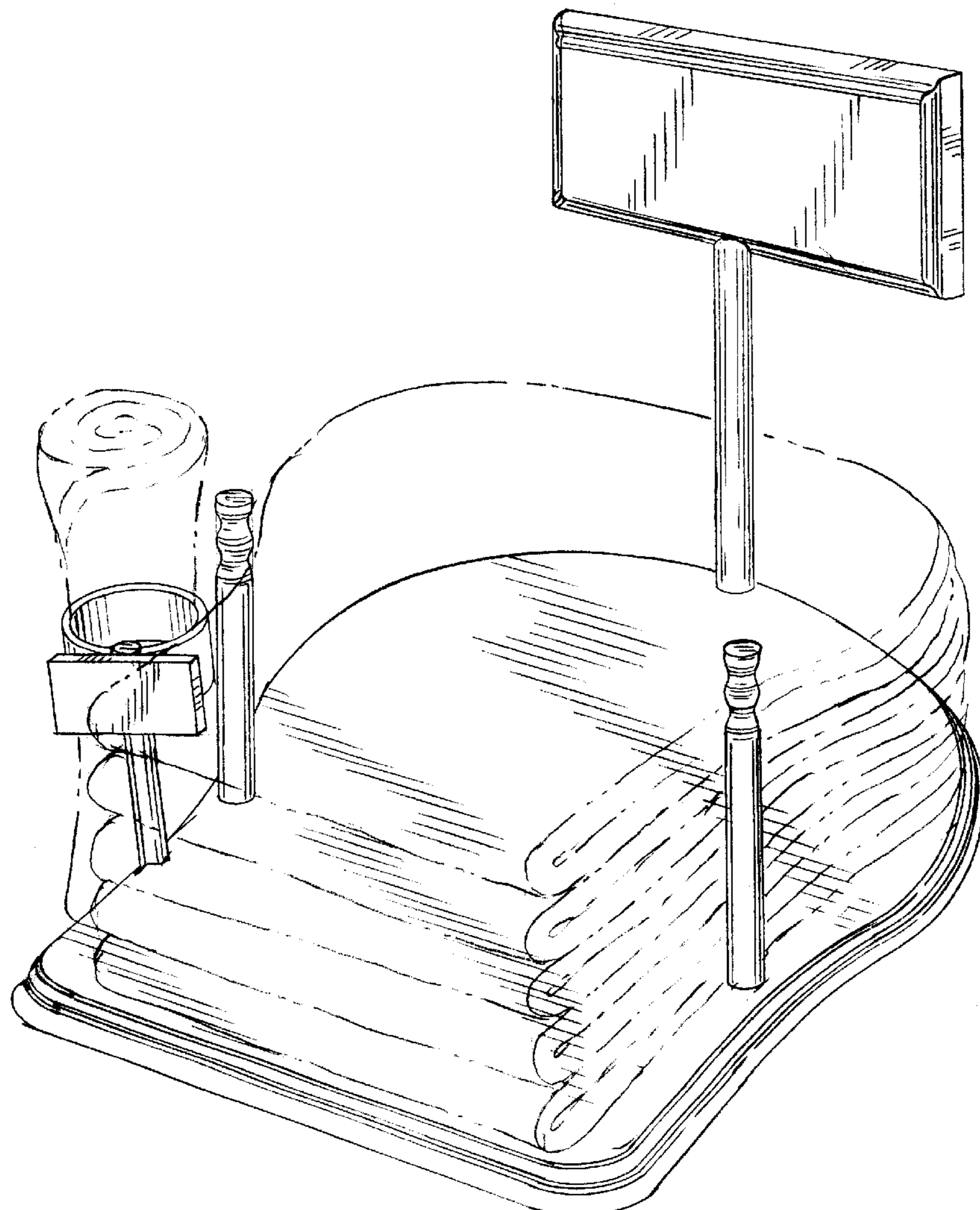


FIG. 1

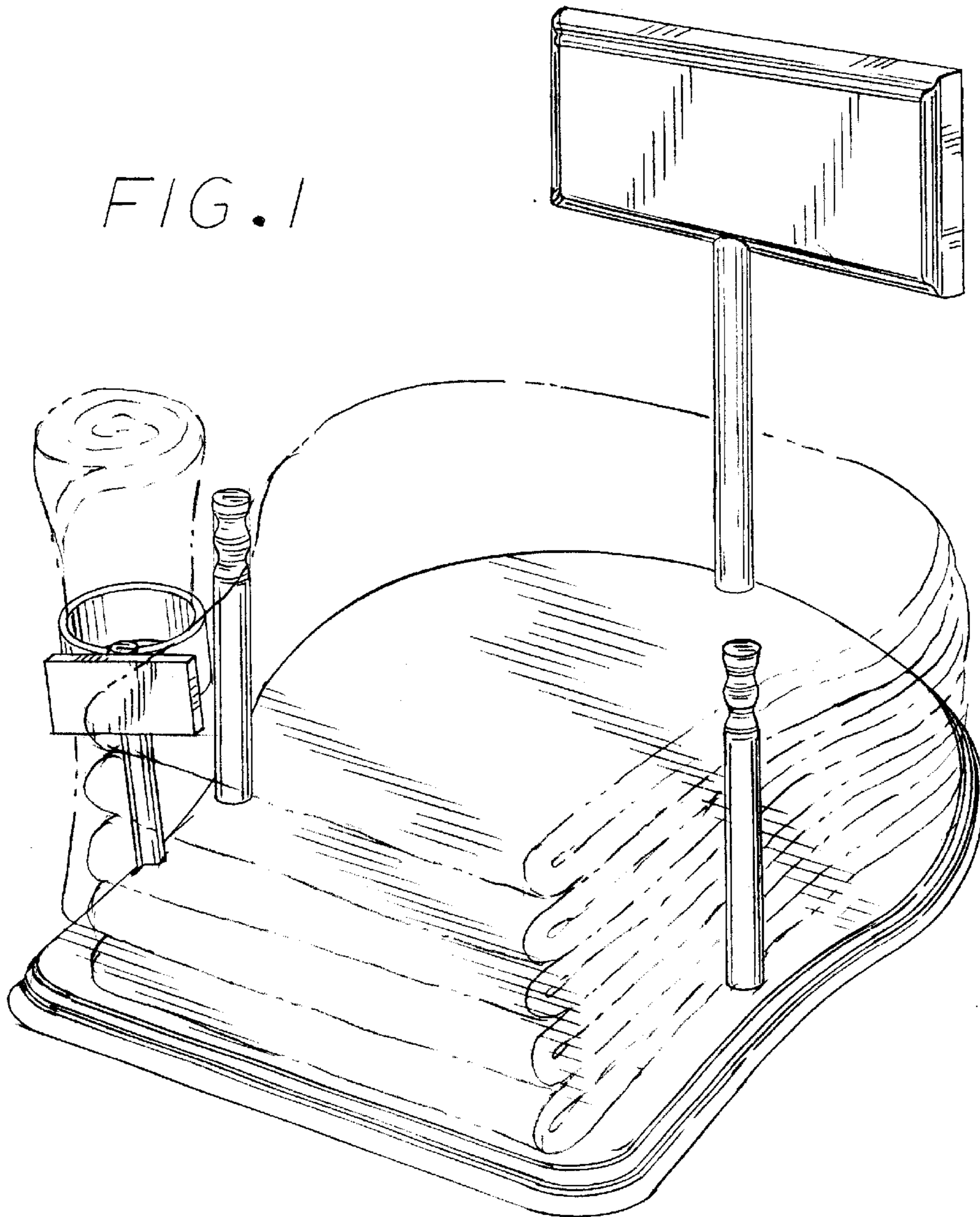


FIG. 2

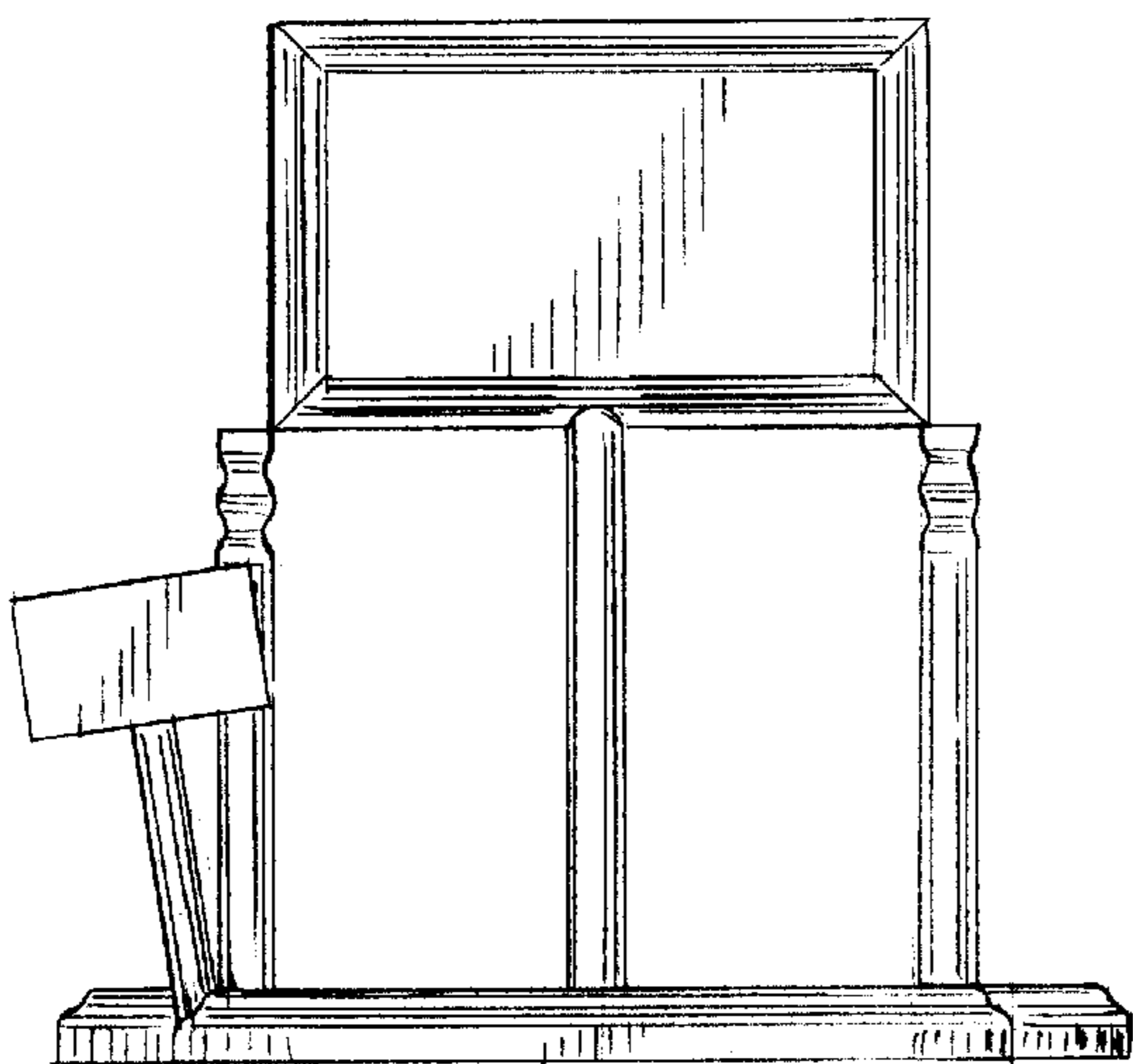


FIG. 3

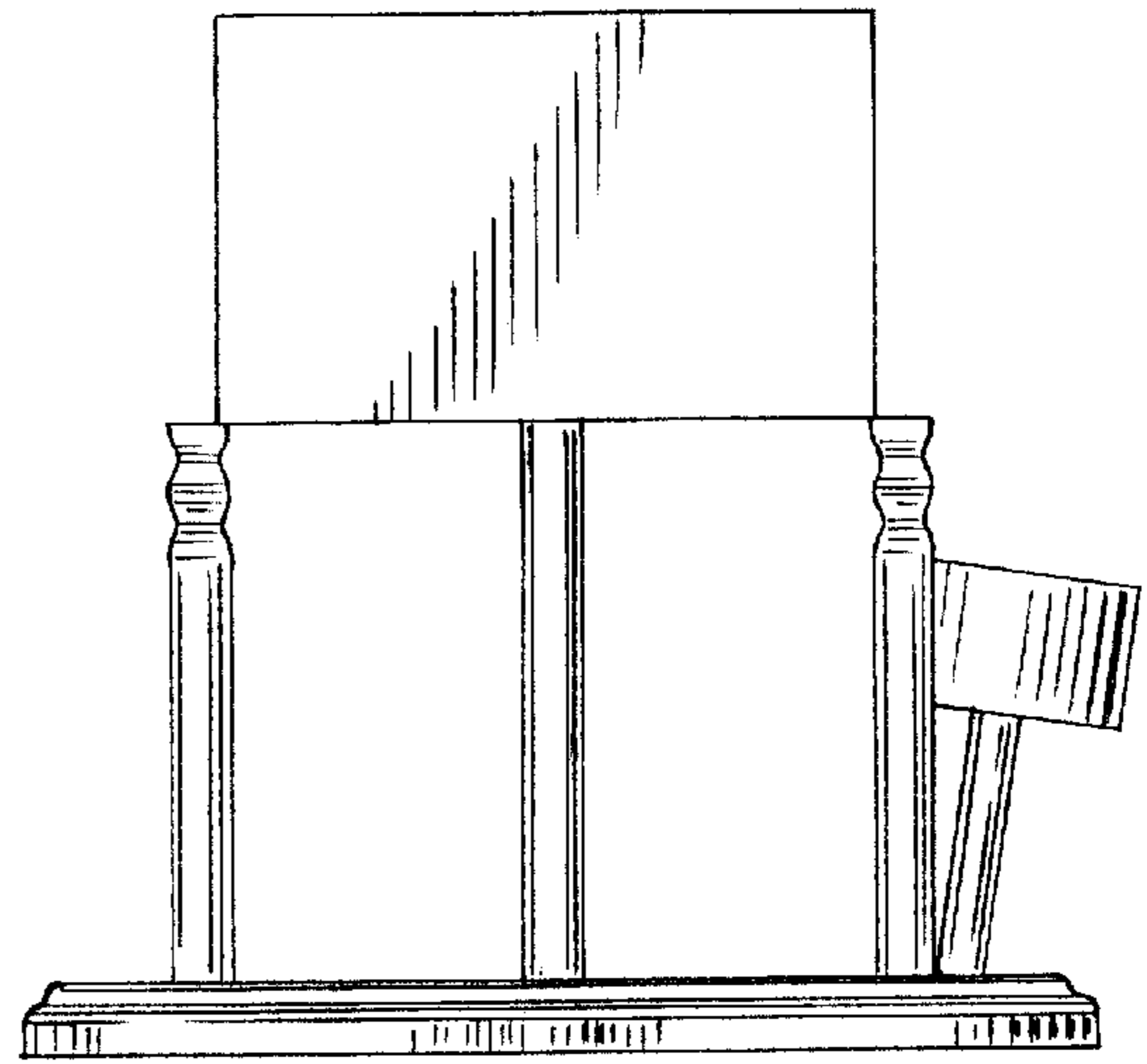


FIG. 4

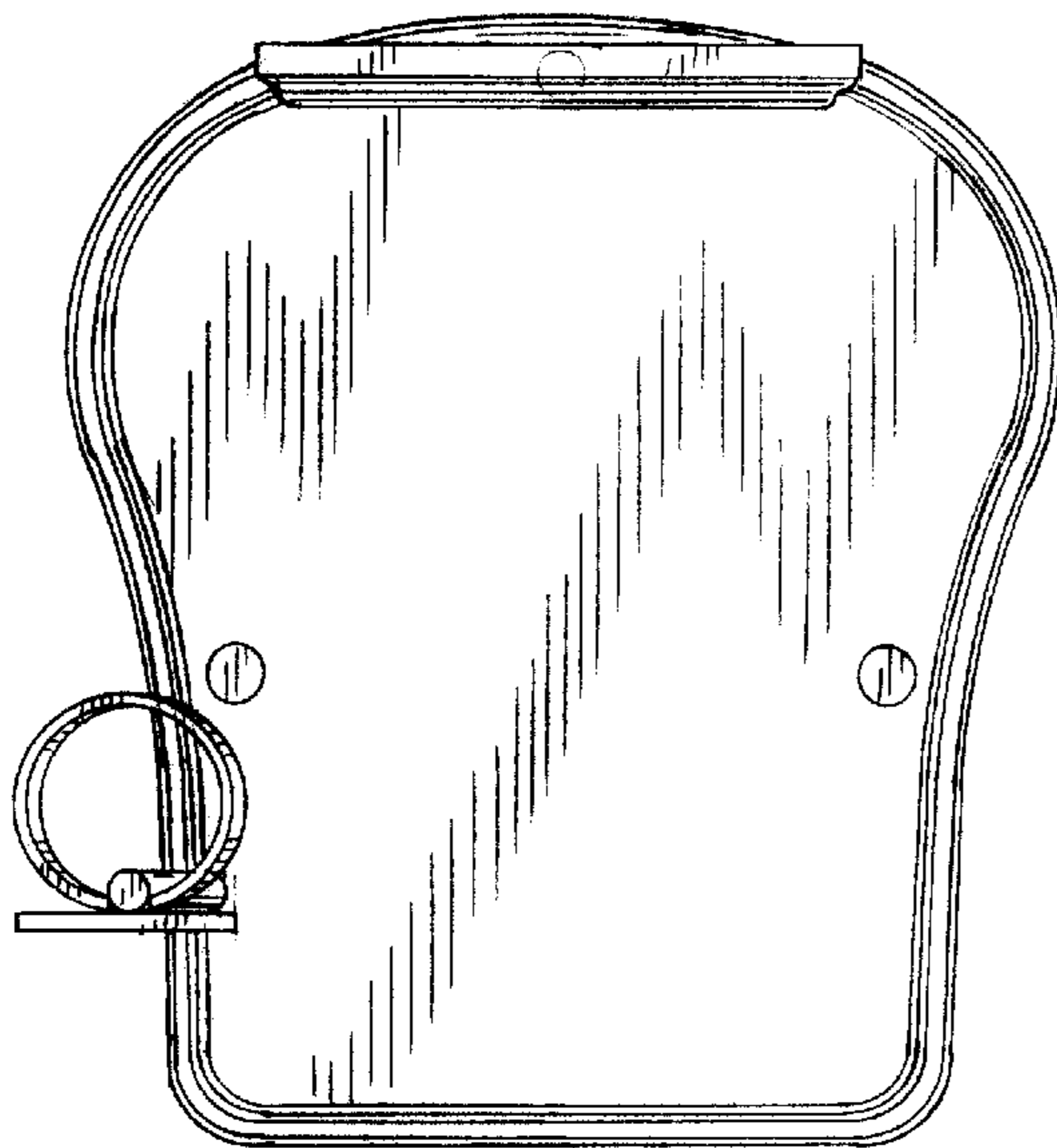


FIG. 5

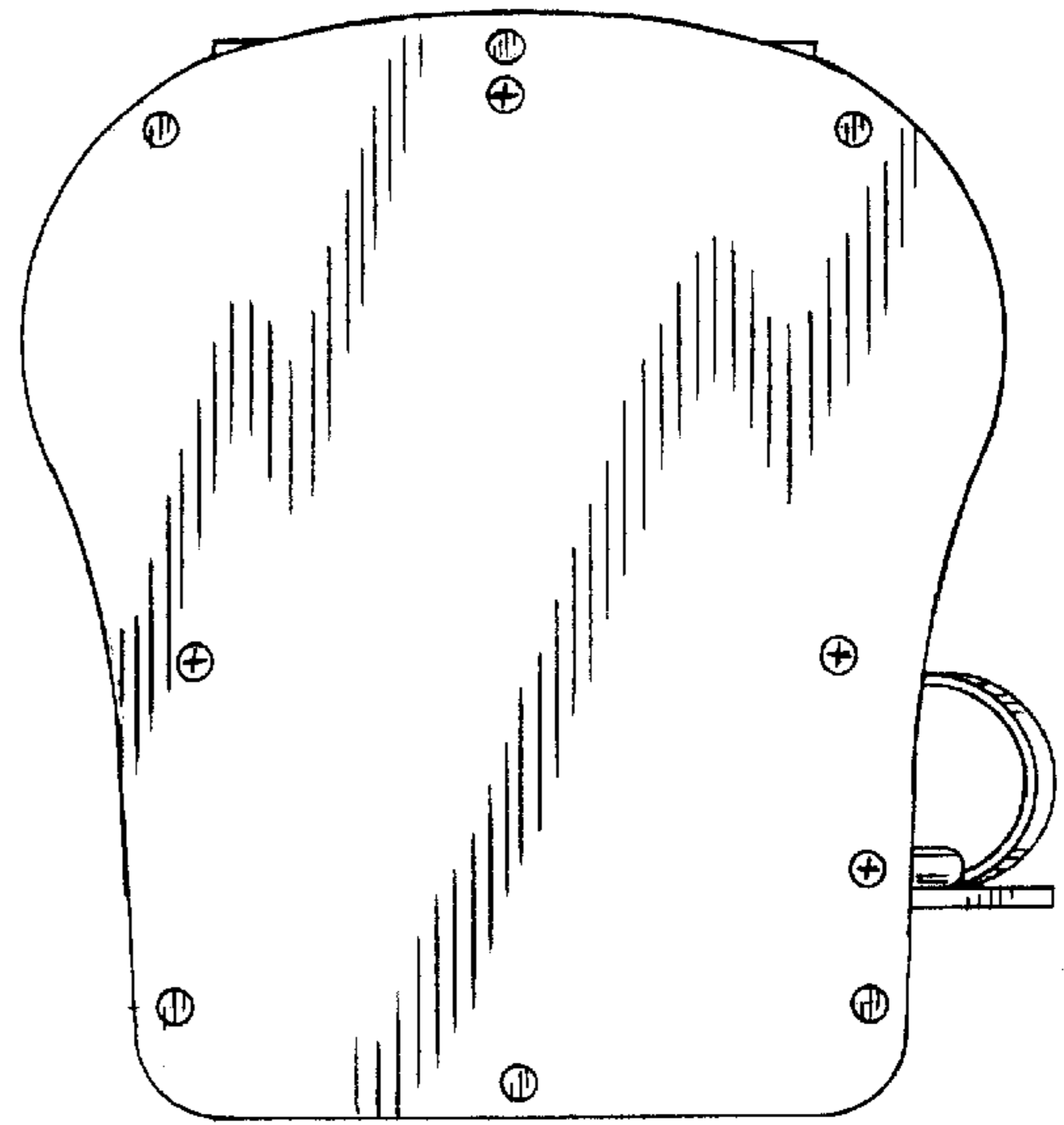


FIG. 6

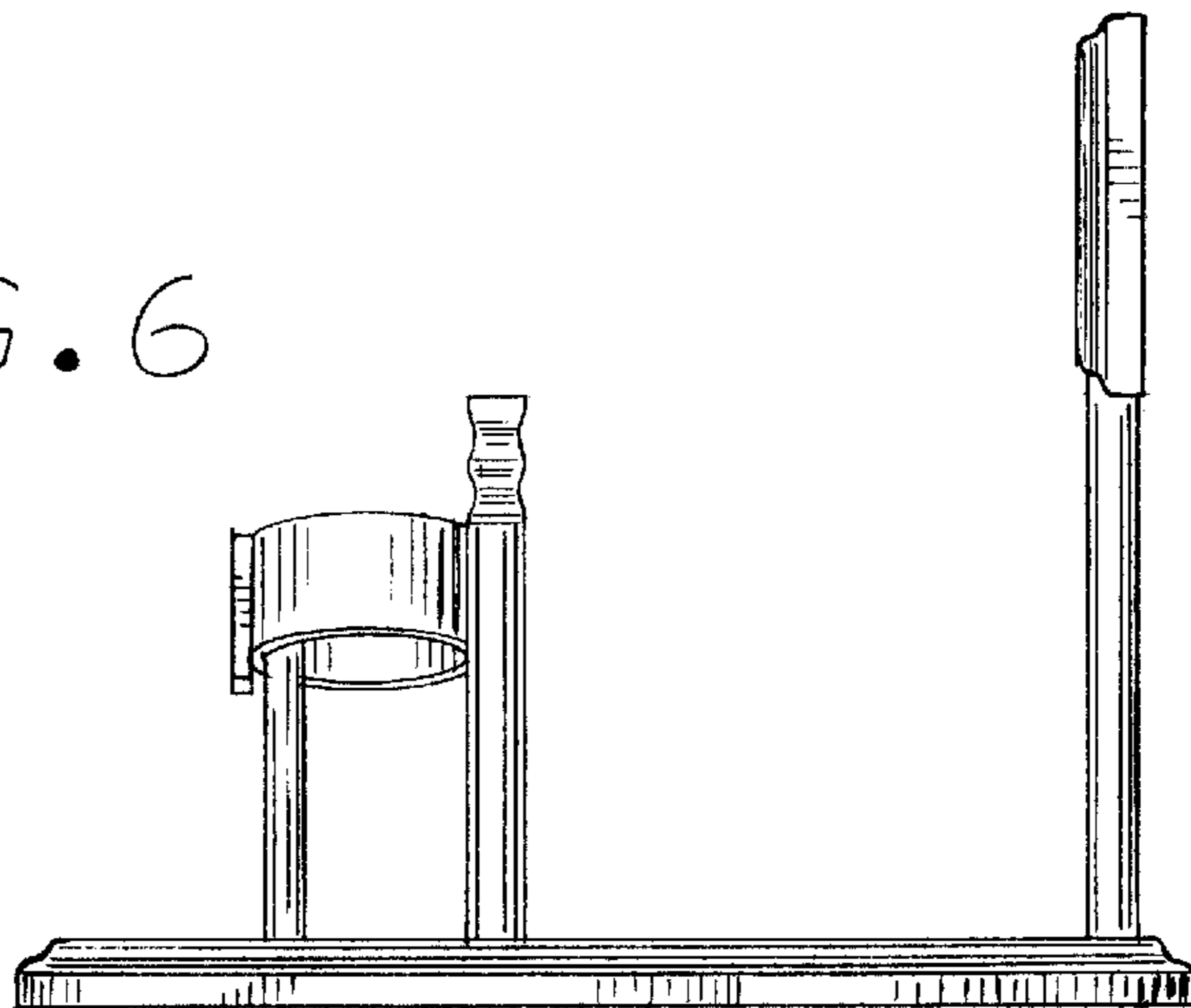


FIG. 7

