



US00D457024S

(12) **United States Design Patent**
Gratiot

(10) **Patent No.:** **US D457,024 S**

(45) **Date of Patent:** **** May 14, 2002**

(54) **SHELF FOR A DISPLAY CASE FOR WATCHES**

(75) **Inventor:** **Daniel Gratiot, Bern (CH)**

(73) **Assignee:** **Swatch AG, Bienne (CH)**

(**) **Term:** **14 Years**

(21) **Appl. No.:** **29/140,550**

(22) **Filed:** **Apr. 20, 2001**

(30) **Foreign Application Priority Data**

Oct. 20, 2000 (XH) DM/053 732

(51) **LOC (7) Cl.** **06-06**

(52) **U.S. Cl.** **D6/511**

(58) **Field of Search** D6/396, 449, 457,
D6/461, 436, 466-468, 471, 473, 477-479,
510, 511; 108/59, 91, 92; 211/13.1, 85.2,
85.26, 134, 153

(56) **References Cited**

U.S. PATENT DOCUMENTS

D282,127 S * 1/1986 Weiller D6/476

D318,766 S * 8/1991 Chow D6/407

5,775,521 A * 7/1998 Tisbo 211/11

D413,745 S * 9/1999 Bidwell et al. D6/510

D415,908 S * 11/1999 Miranda D6/473

* cited by examiner

Primary Examiner—Cathron C. Brooks

(74) *Attorney, Agent, or Firm*—Collen Law Associates, PC;
Robert M. McDermott, Esq.

(57) **CLAIM**

The ornamental design for shelf for a display case for watches, as shown and described.

DESCRIPTION

FIG. 1 is a front view of my new and ornamental design for display cases for watches;

FIG. 2 is a rear view thereof;

FIG. 3 is a right side view thereof;

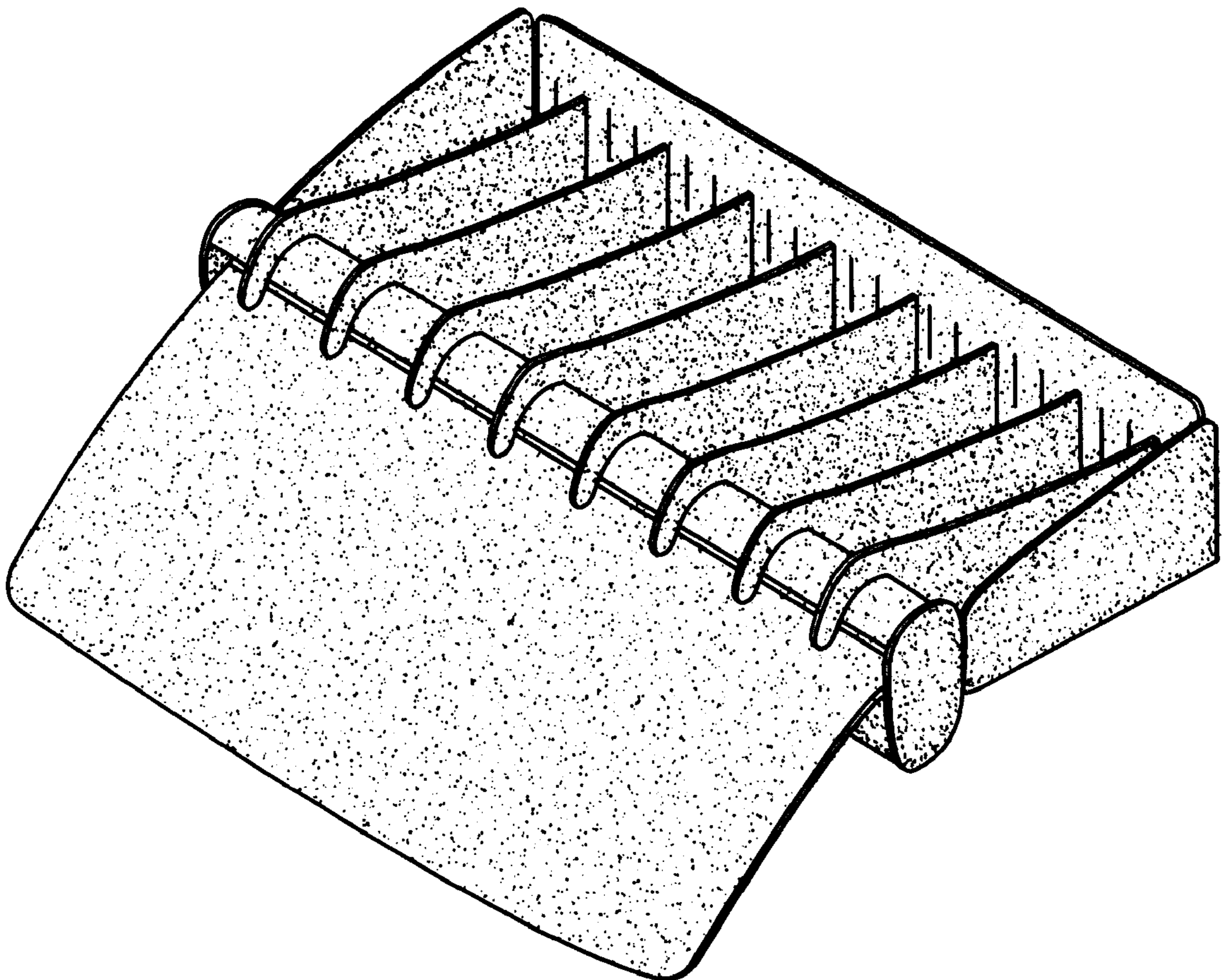
FIG. 4 is a left side view thereof;

FIG. 5 is a top view thereof;

FIG. 6 is a bottom view thereof; and,

FIG. 7 is a perspective view thereof.

1 Claim, 4 Drawing Sheets



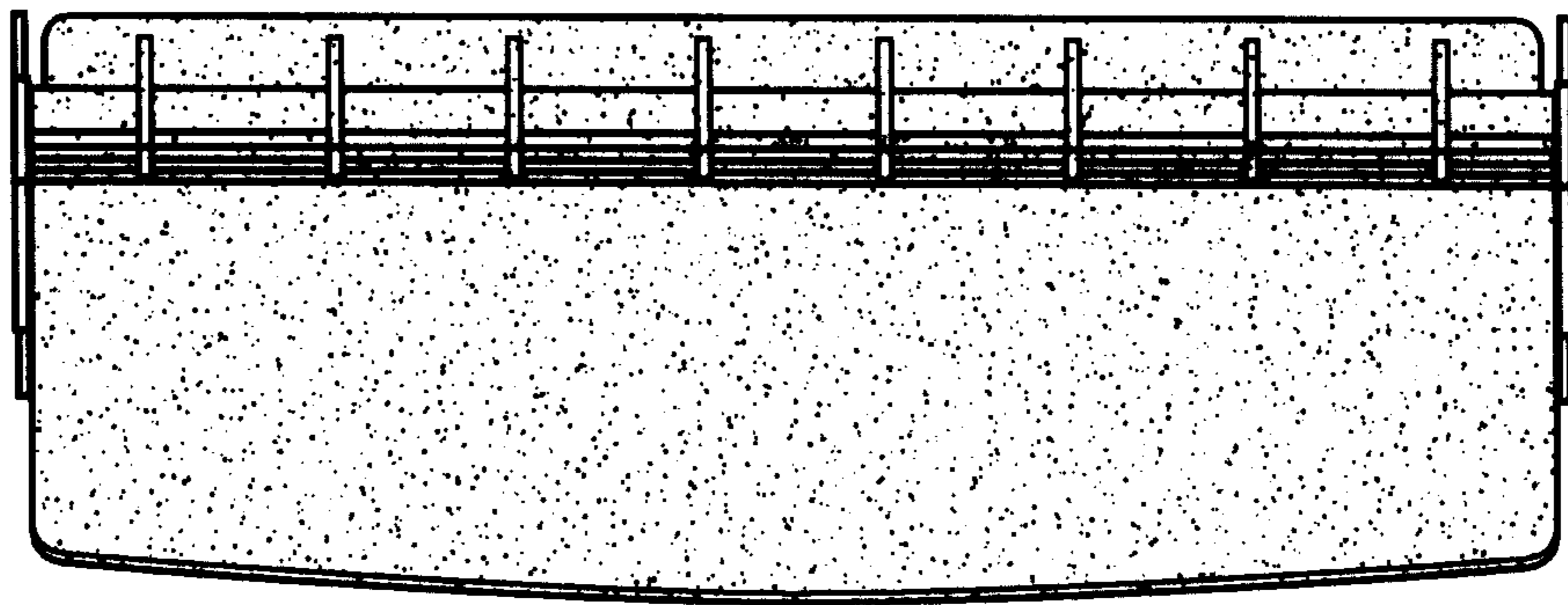


Fig. 1

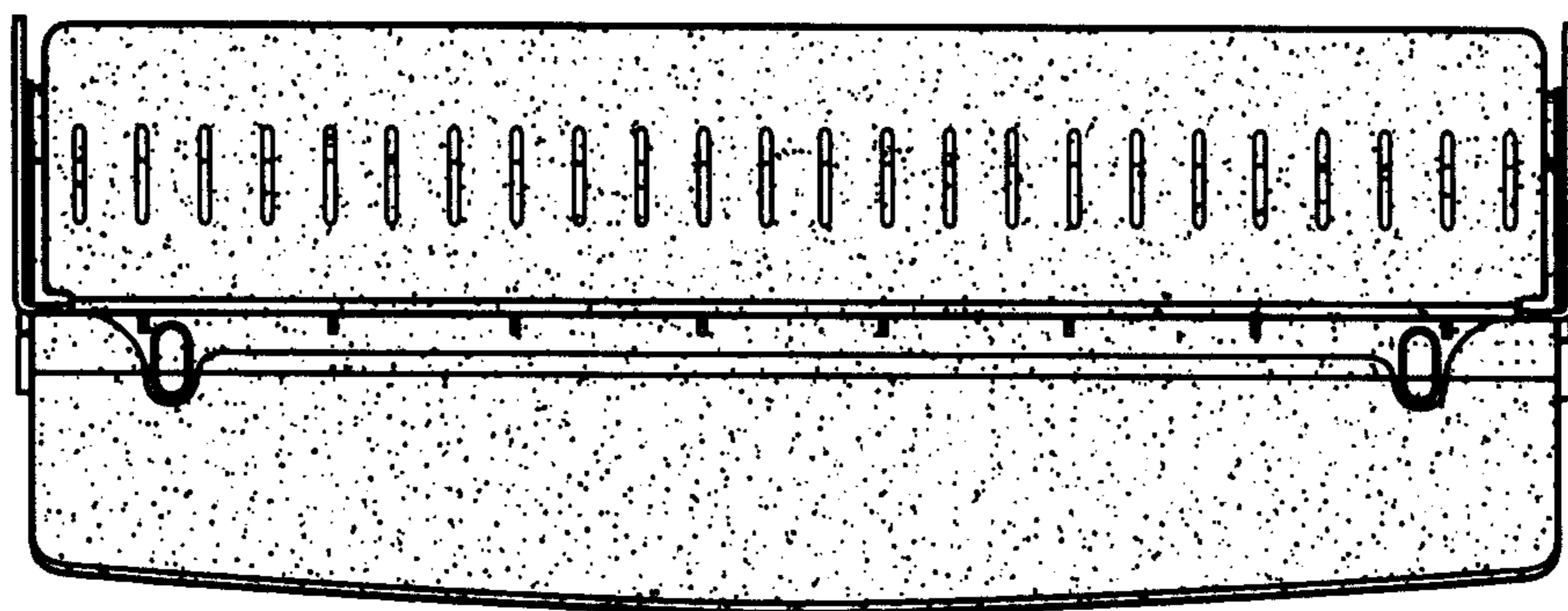


Fig. 2

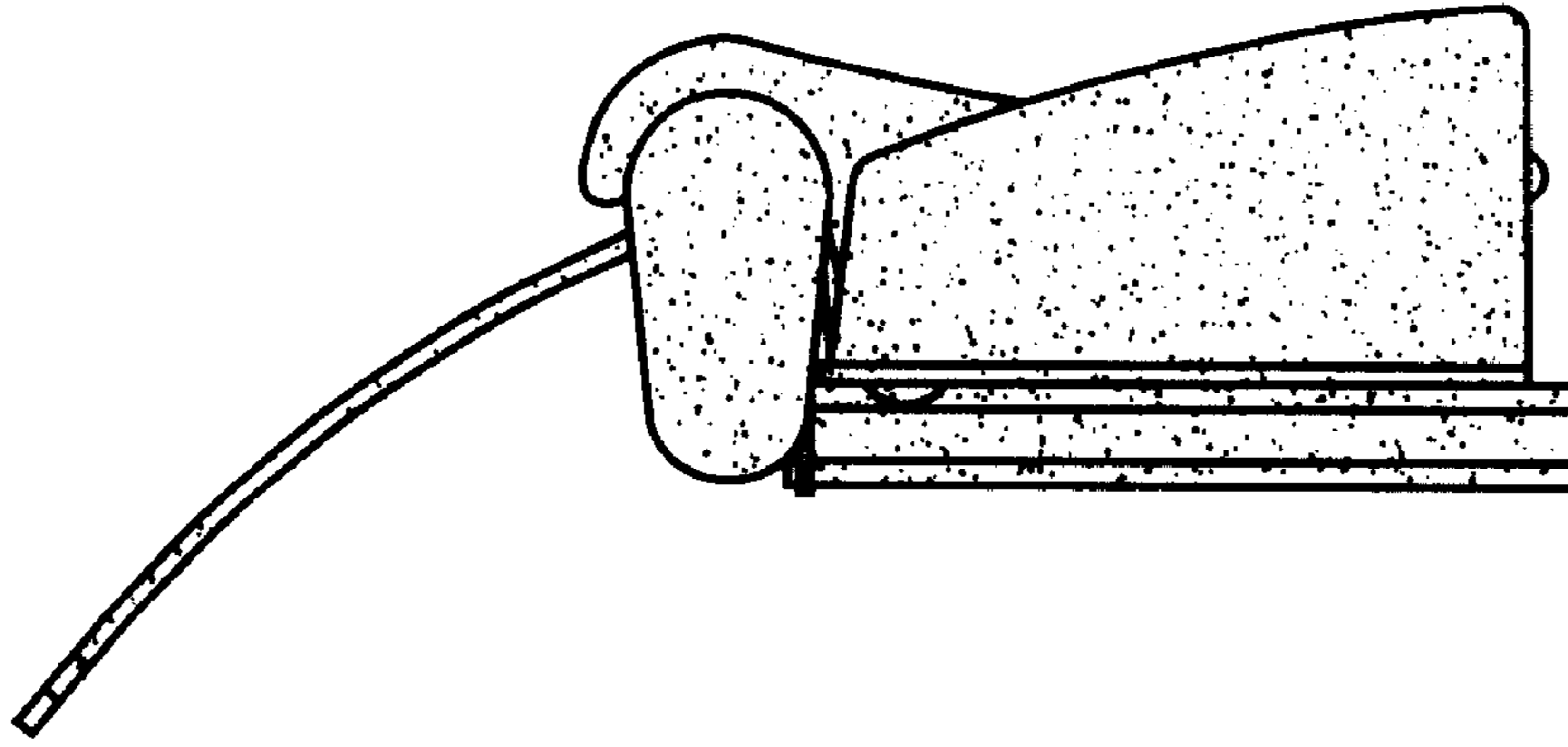


Fig. 3

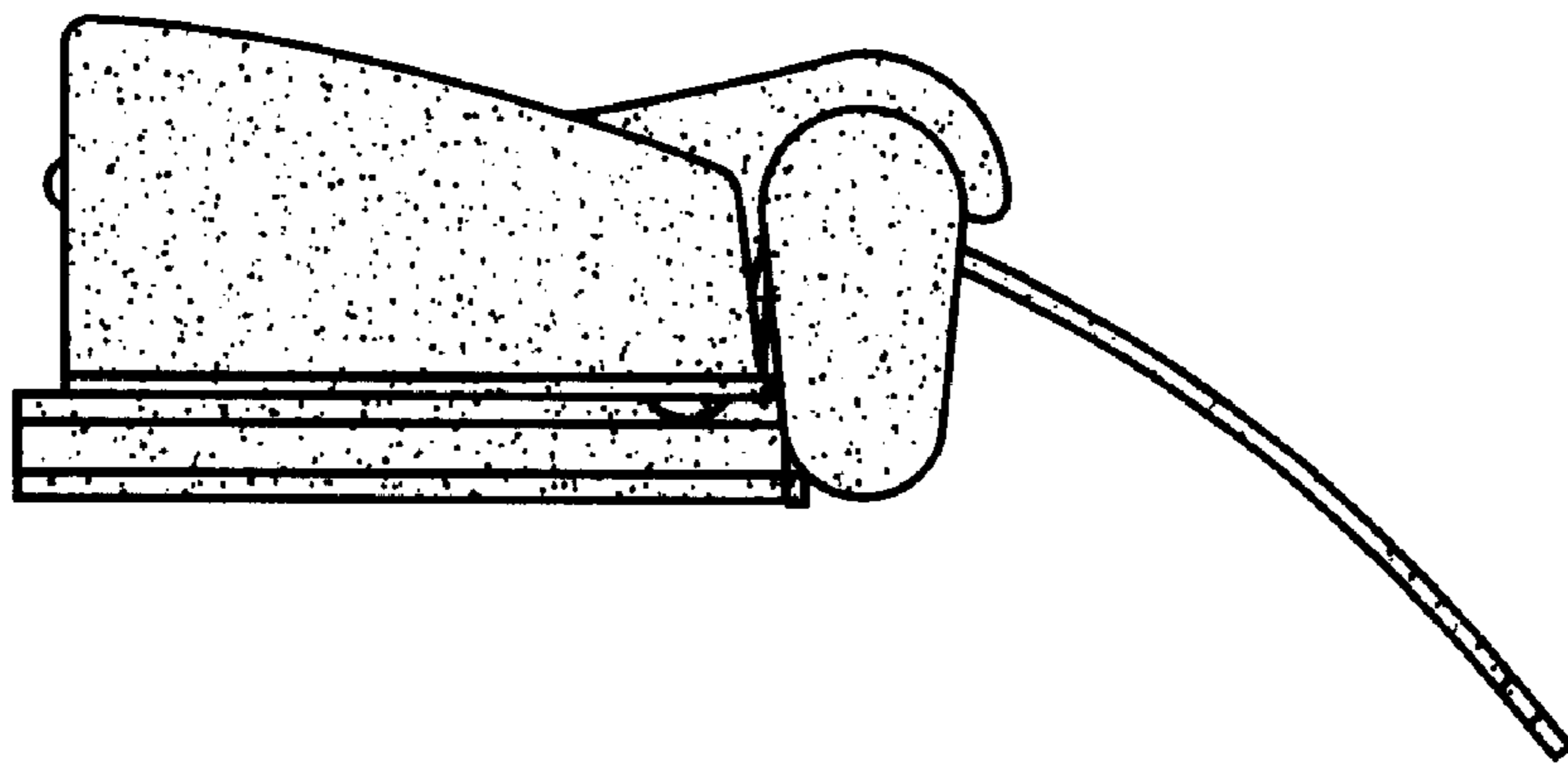


Fig. 4

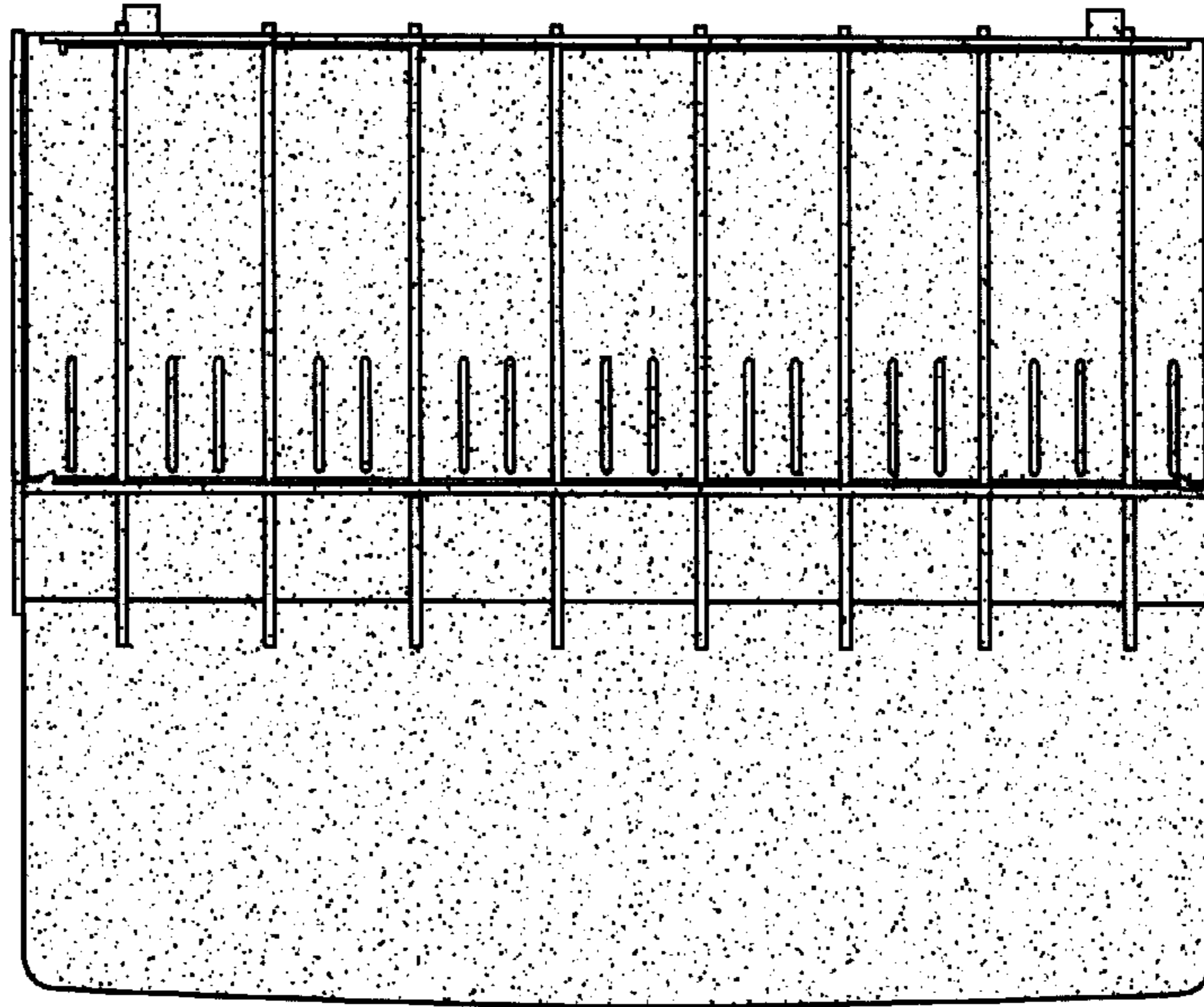


Fig. 5

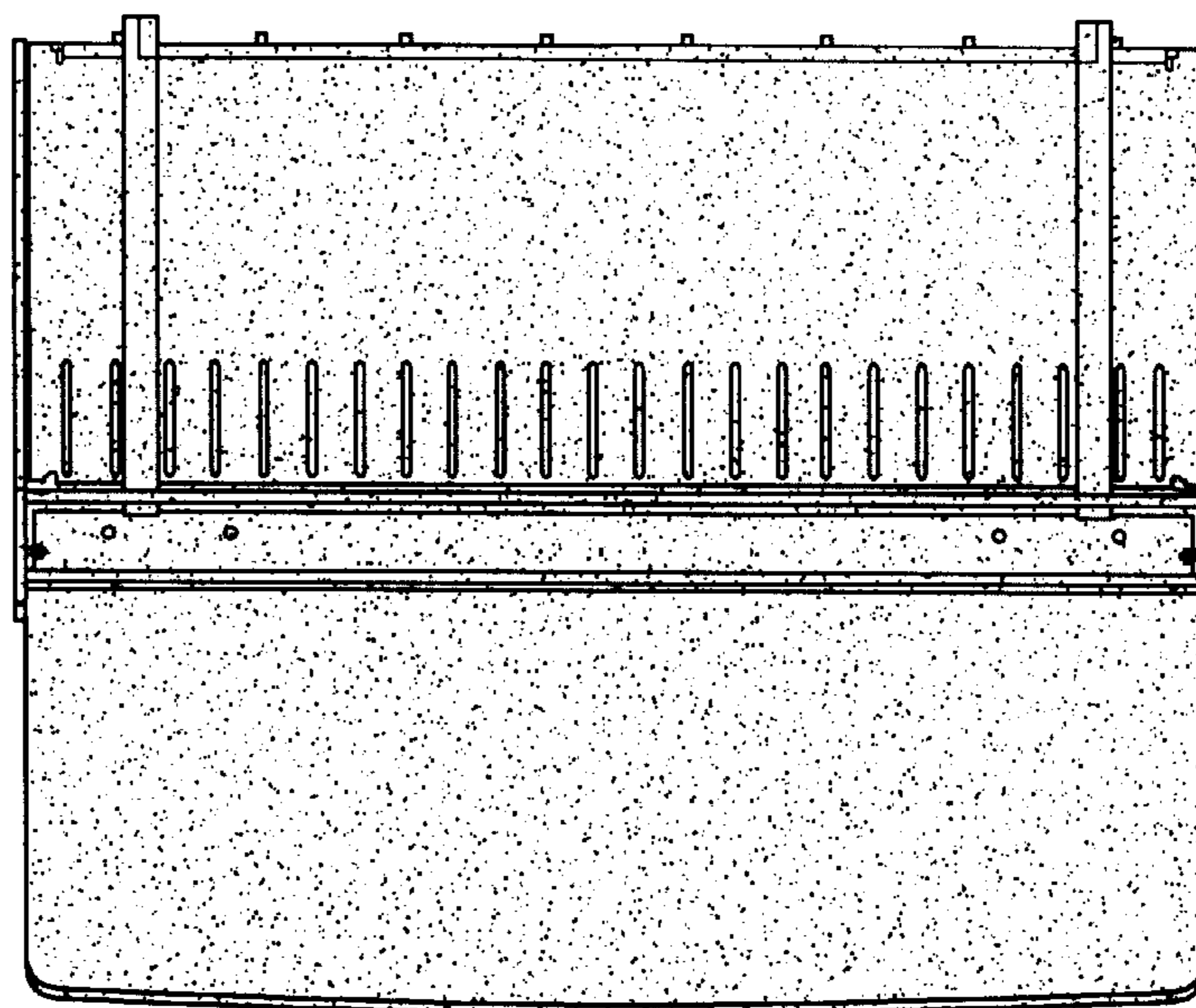


Fig. 6

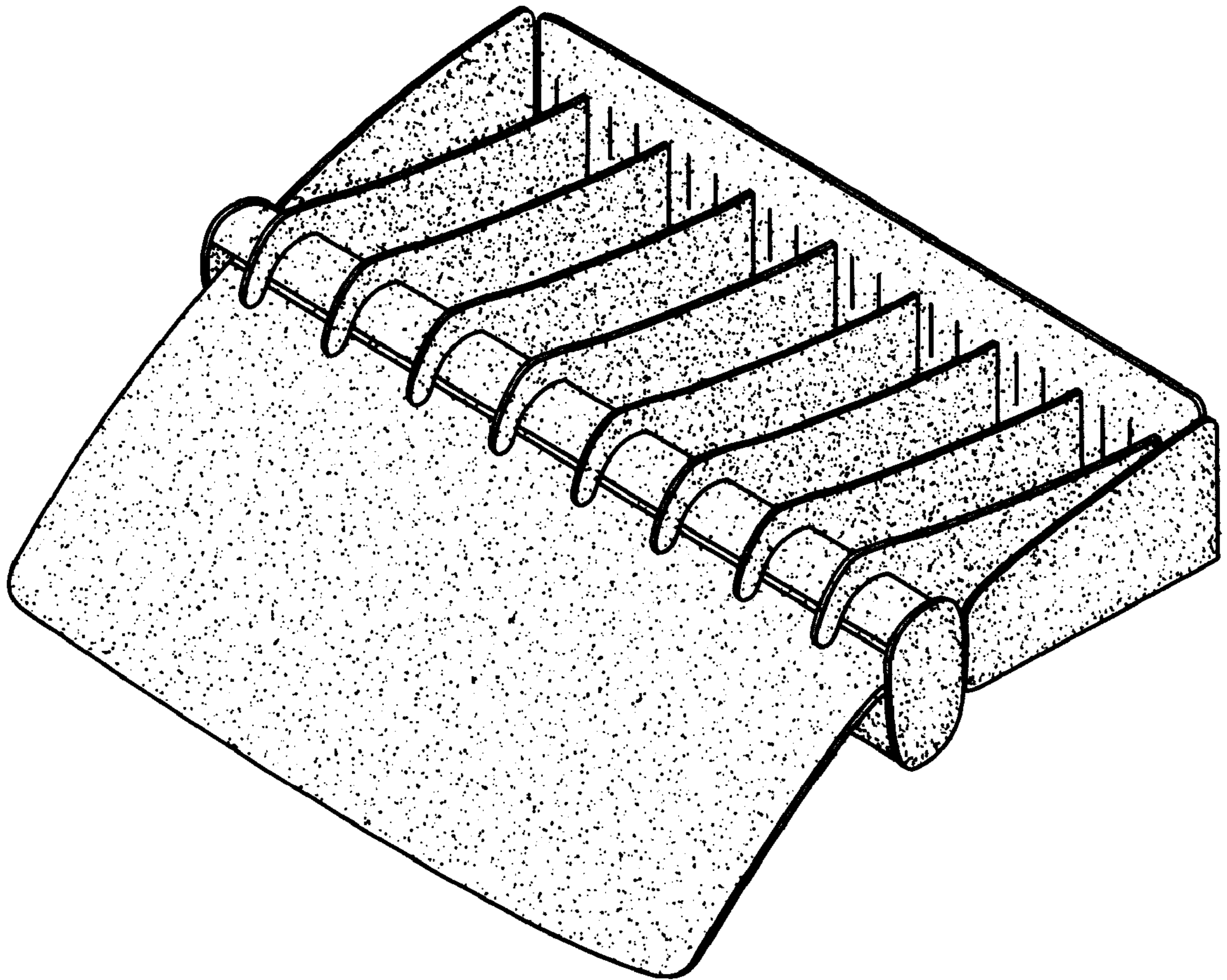


Fig. 7