



US00D457023S

(12) **United States Design Patent**
Ball et al.

(10) **Patent No.:** **US D457,023 S**

(45) **Date of Patent:** **** May 14, 2002**

(54) **CHAIR COMPONENT**

(75) Inventors: **Douglas C. Ball**, Senneville; **Leon Goldick**, Beaconsville; **Alain Deslauriers**, Ile Laval; **Jeff G. Sokalski**, Montreal, all of (CA)

(73) Assignee: **Steelcase Development Corporation**, Caledonia, MI (US)

(**) Term: **14 Years**

(21) Appl. No.: **29/145,098**

(22) Filed: **Jul. 16, 2001**

- D390,712 S 2/1998 Koepke et al.
- D404,229 S 1/1999 Dammermann et al.
- 5,871,258 A 2/1999 Battey et al.
- D407,911 S 4/1999 Brauning
- D410,342 S 6/1999 Dammermann et al.
- D411,928 S 7/1999 Ritch et al.
- D414,349 S 9/1999 Jenkins et al.
- D417,792 S 12/1999 Hansen et al.
- D417,793 S 12/1999 Ritch et al.
- D418,685 S 1/2000 Kaczmarek
- D422,802 S 4/2000 Deacon
- D436,259 S 1/2001 Nagamitsu
- D436,768 S 1/2001 Jenkins et al.
- D437,497 S 2/2001 Brauning
- D437,701 S 2/2001 Bellini et al.

* cited by examiner

Related U.S. Application Data

(62) Division of application No. 29/124,287, filed on May 25, 2000.

(51) **LOC (7) Cl.** **06-06**

(52) **U.S. Cl.** **D6/502; D6/366**

(58) **Field of Search** D6/334, 364, 365, D6/366, 367, 370, 374, 380, 500, 501, 502; 297/411.2, 452.63

Primary Examiner—Gary D. Watson

(74) *Attorney, Agent, or Firm*—Price Heneveld Cooper DeWitt & Litton

(57) **CLAIM**

The ornamental design for a chair component, as shown and described.

DESCRIPTION

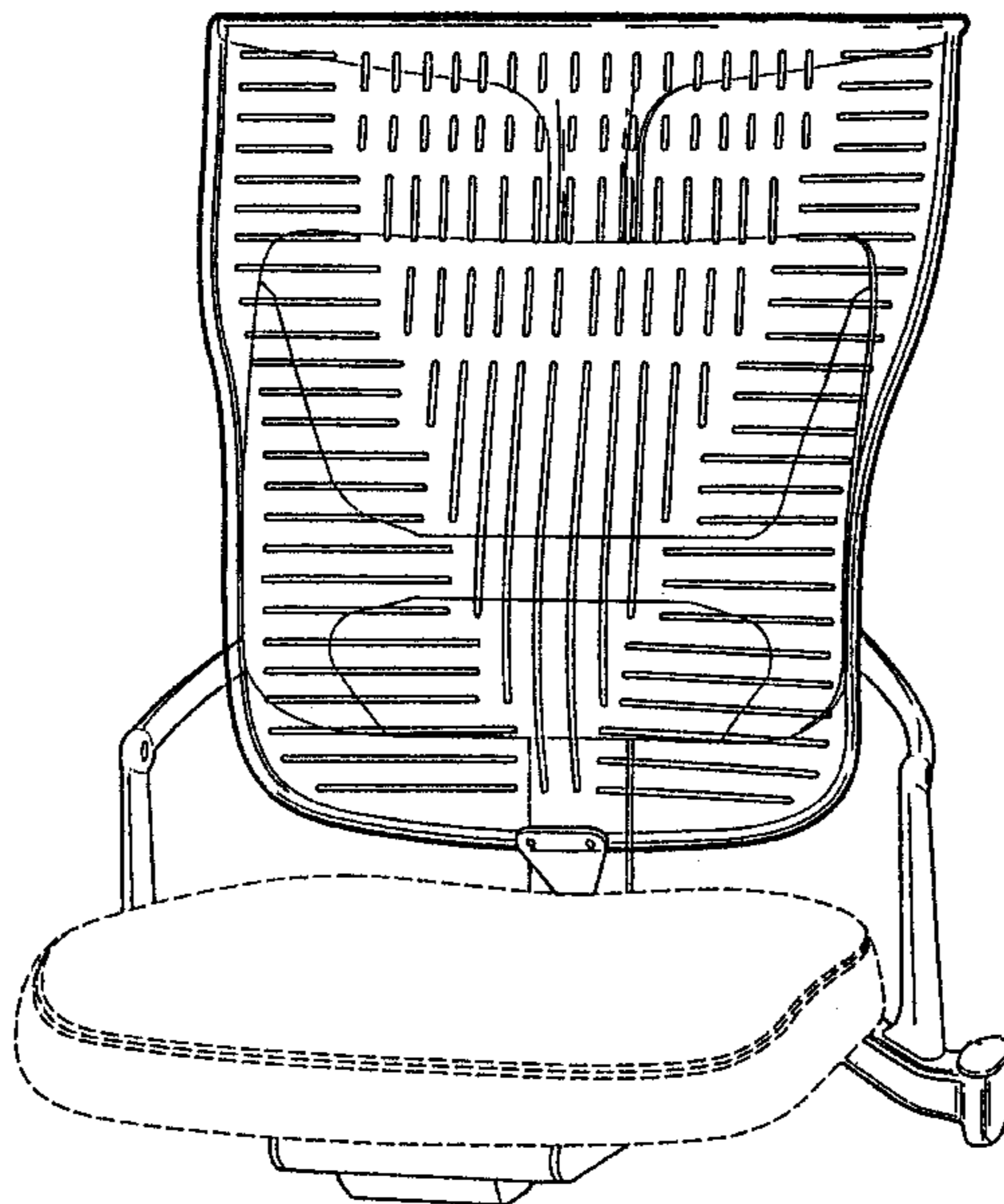
FIG. 1 is a perspective view of chair component embodying the present invention;
FIG. 2 is a front view of FIG. 1;
FIG. 3 is a right side view of FIG. 1, the left side being a mirror image of the right side;
FIG. 4 is a top view of FIG. 1; and,
FIG. 5 is a rear view of FIG. 1.
The dashed lines in FIGS. 1–5 show the environment, but are not intended to and do not form a part of the claimed invention.

(56) **References Cited**

U.S. PATENT DOCUMENTS

- D234,414 S 3/1975 Becquet
- D235,495 S * 6/1975 Laylon D6/374
- D273,728 S 5/1984 Cafiero
- 4,660,887 A 4/1987 Fleming et al.
- D327,781 S 7/1992 Citterio
- D360,316 S 7/1995 Hodge et al.
- D372,799 S 8/1996 Orians et al.
- 5,630,647 A 5/1997 Heidmann et al.
- D379,567 S 6/1997 Grivet
- D383,323 S 9/1997 Dammermann et al.

1 Claim, 2 Drawing Sheets



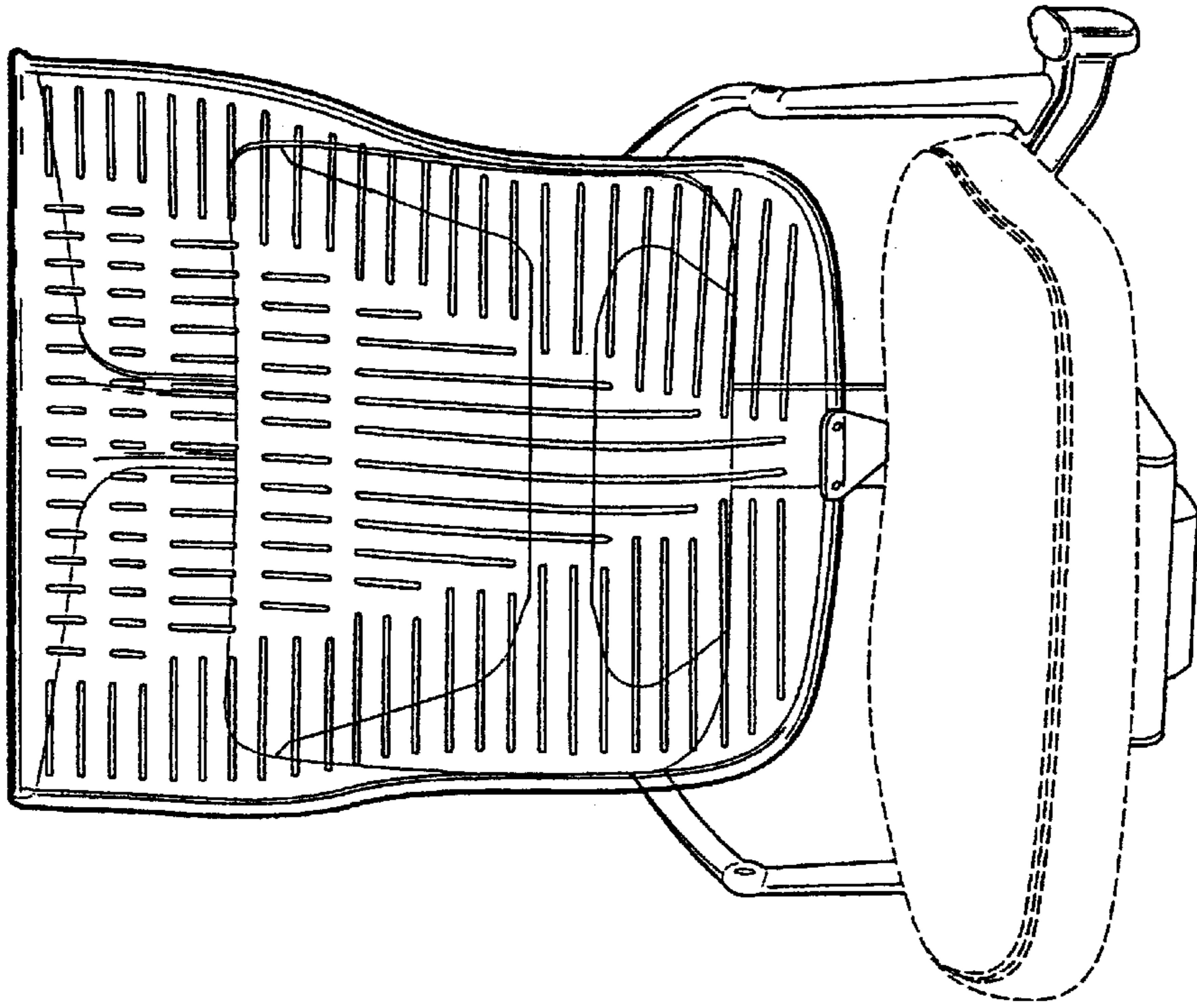


Fig. 1

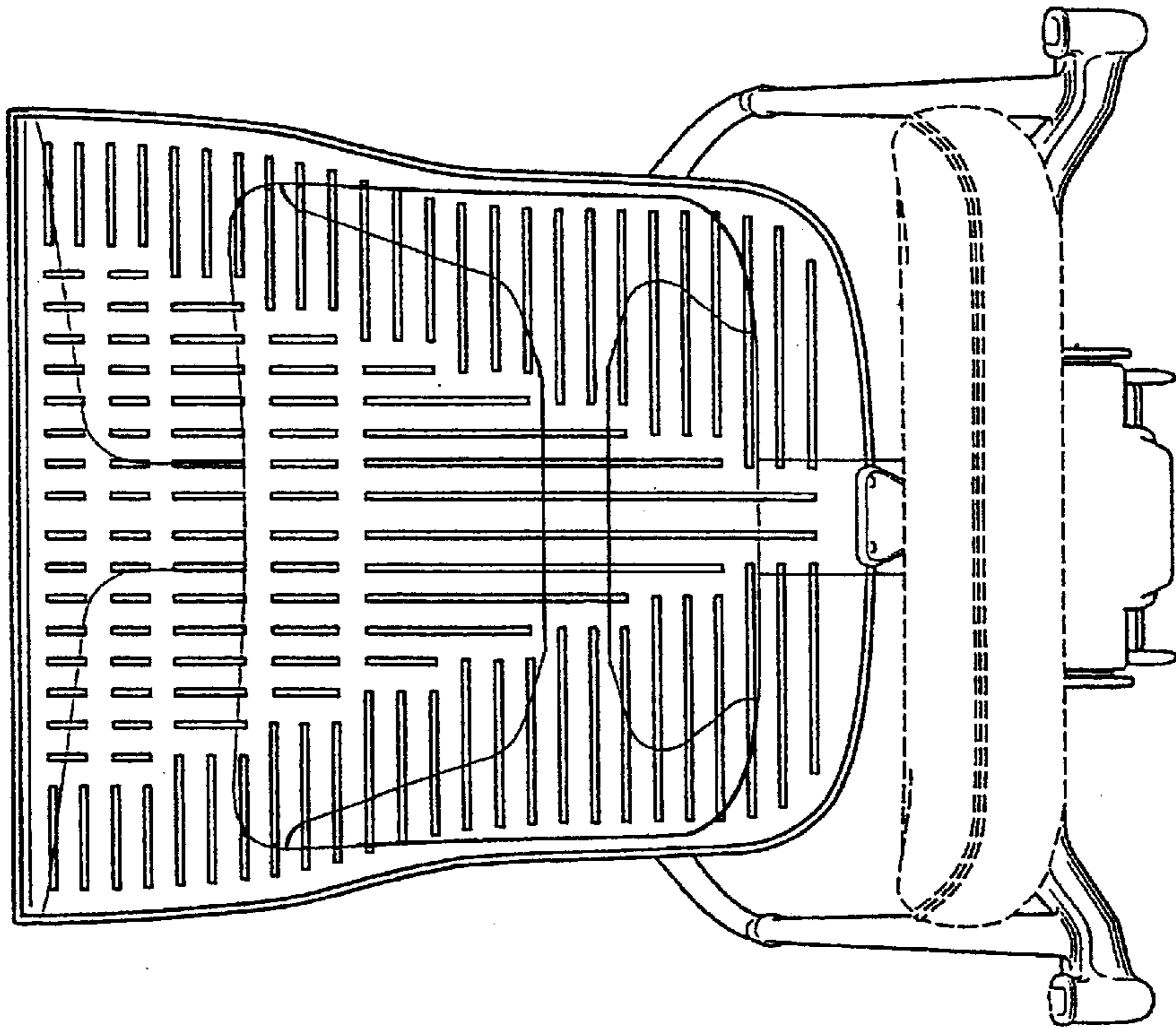


Fig. 2

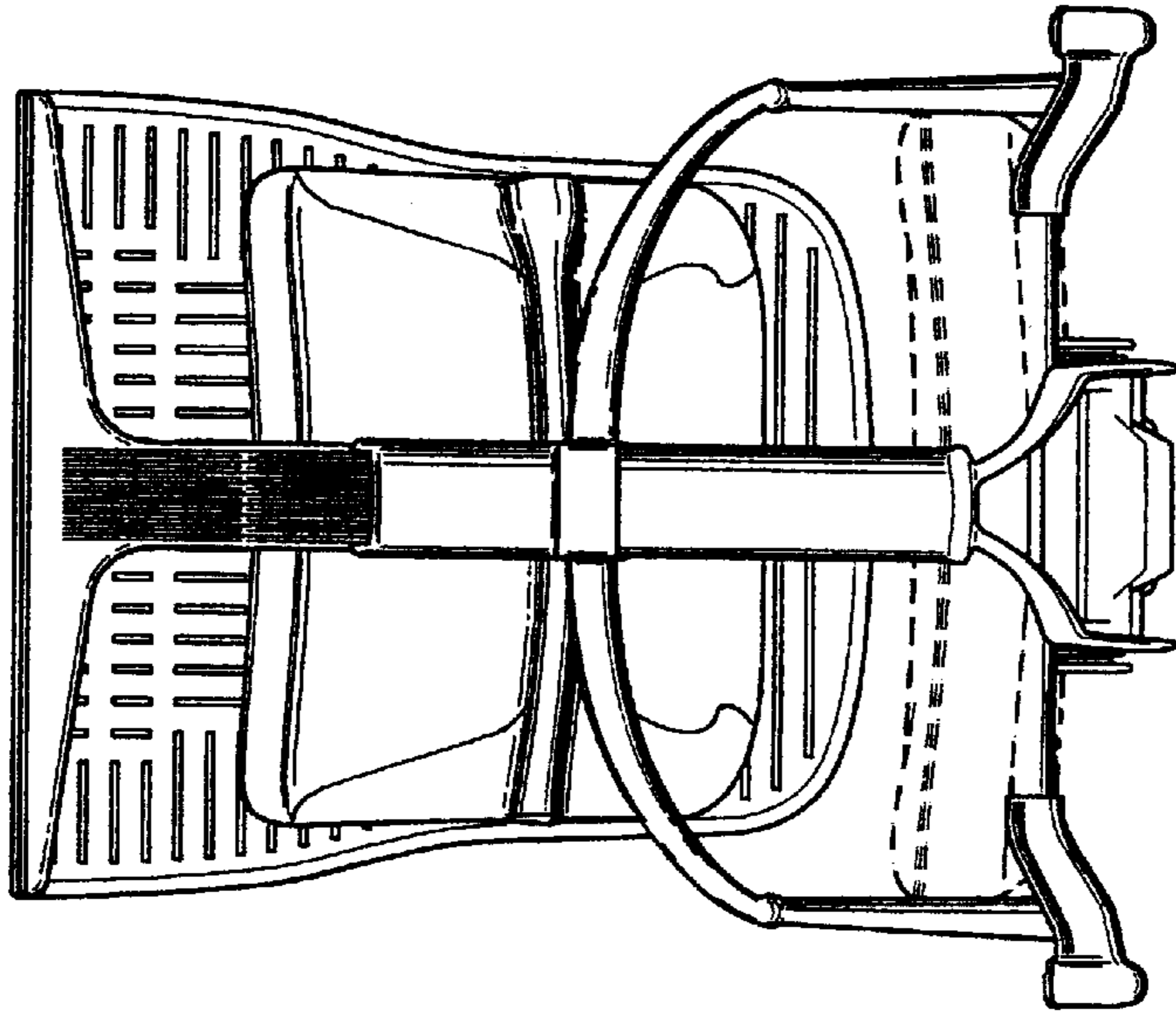


Fig. 5

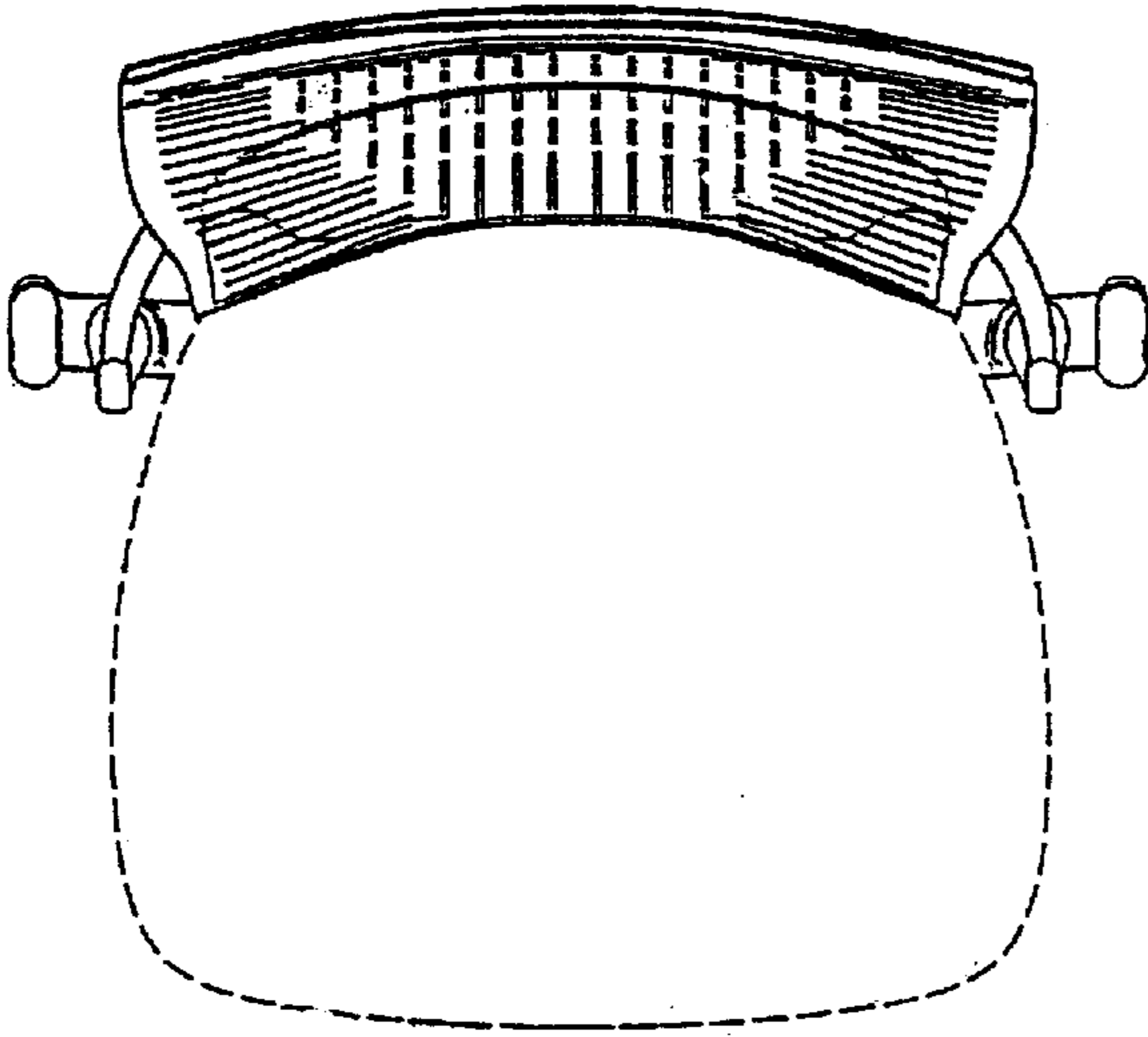


Fig. 4

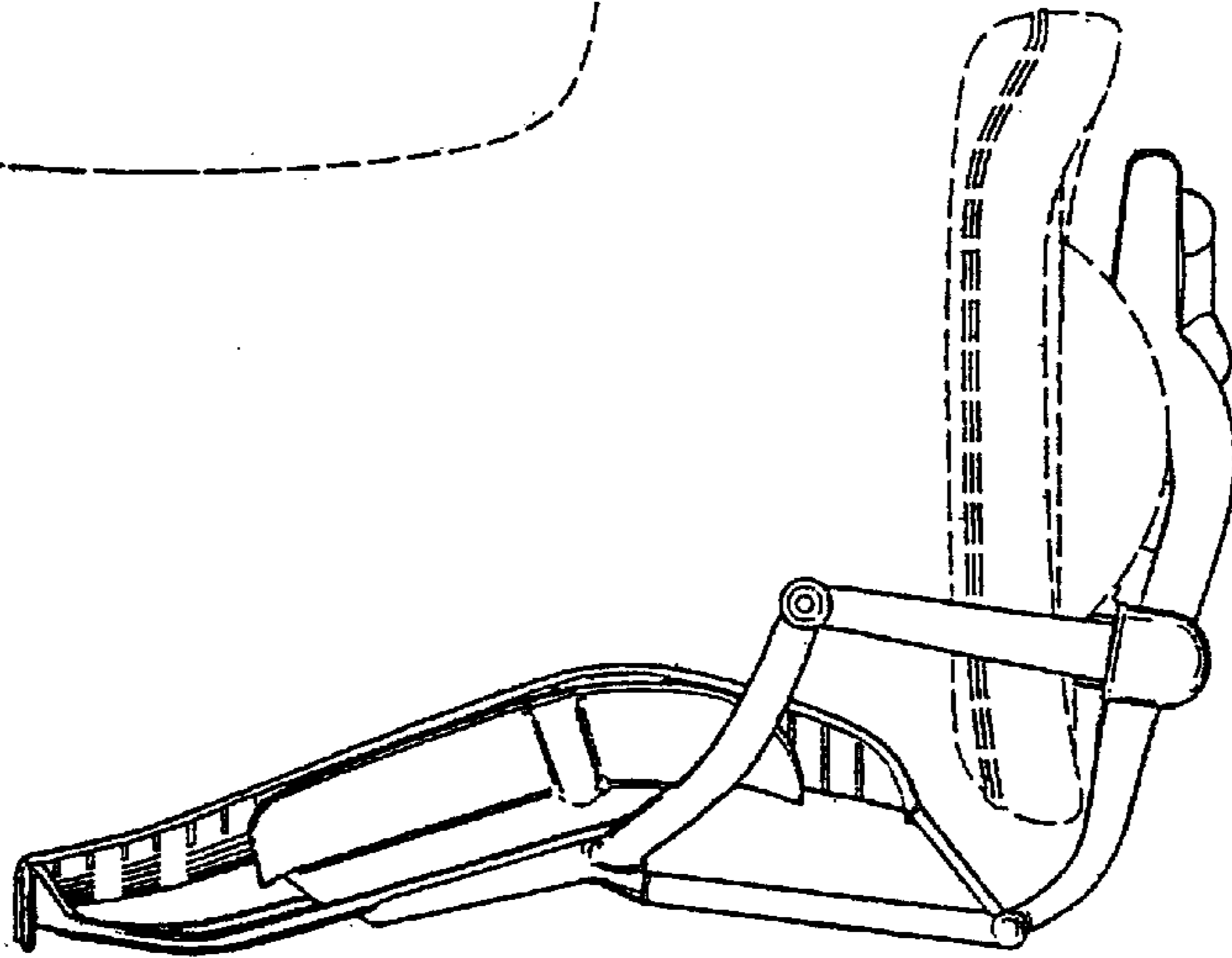


Fig. 3