



US00D457017S

(12) **United States Design Patent**
Müller

(10) **Patent No.:** **US D457,017 S**

(45) **Date of Patent:** **** May 14, 2002**

(54) **WORKSURFACE SCREEN**

6,250,019 B1 * 6/2001 Simons, Jr. et al. 52/239 X

(75) Inventor: **Karl H. Müller**, Grand Rapids, MI (US)

* cited by examiner

Primary Examiner—Cathron C. Brooks

(73) Assignee: **Steelcase Development Corporation**, Caledonia, MI (US)

(74) *Attorney, Agent, or Firm*—Price Heneveld Cooper DeWitt & Litton

(**) Term: **14 Years**

(57) **CLAIM**

(21) Appl. No.: **29/133,323**

I claim the ornamental design for a worksurface screen, as shown and described.

(22) Filed: **Nov. 28, 2000**

DESCRIPTION

(51) **LOC (7) Cl.** **06-06**

(52) **U.S. Cl.** **D6/492; D6/332; D6/509**

(58) **Field of Search** D6/332, 396, 414, D6/421, 426, 449, 491, 492, 397, 509; D25/58; 108/50, 50.11, 60, 61; 135/901; 160/135, 351; 211/180; 312/4-6, 194, 195, 265.1, 265.4

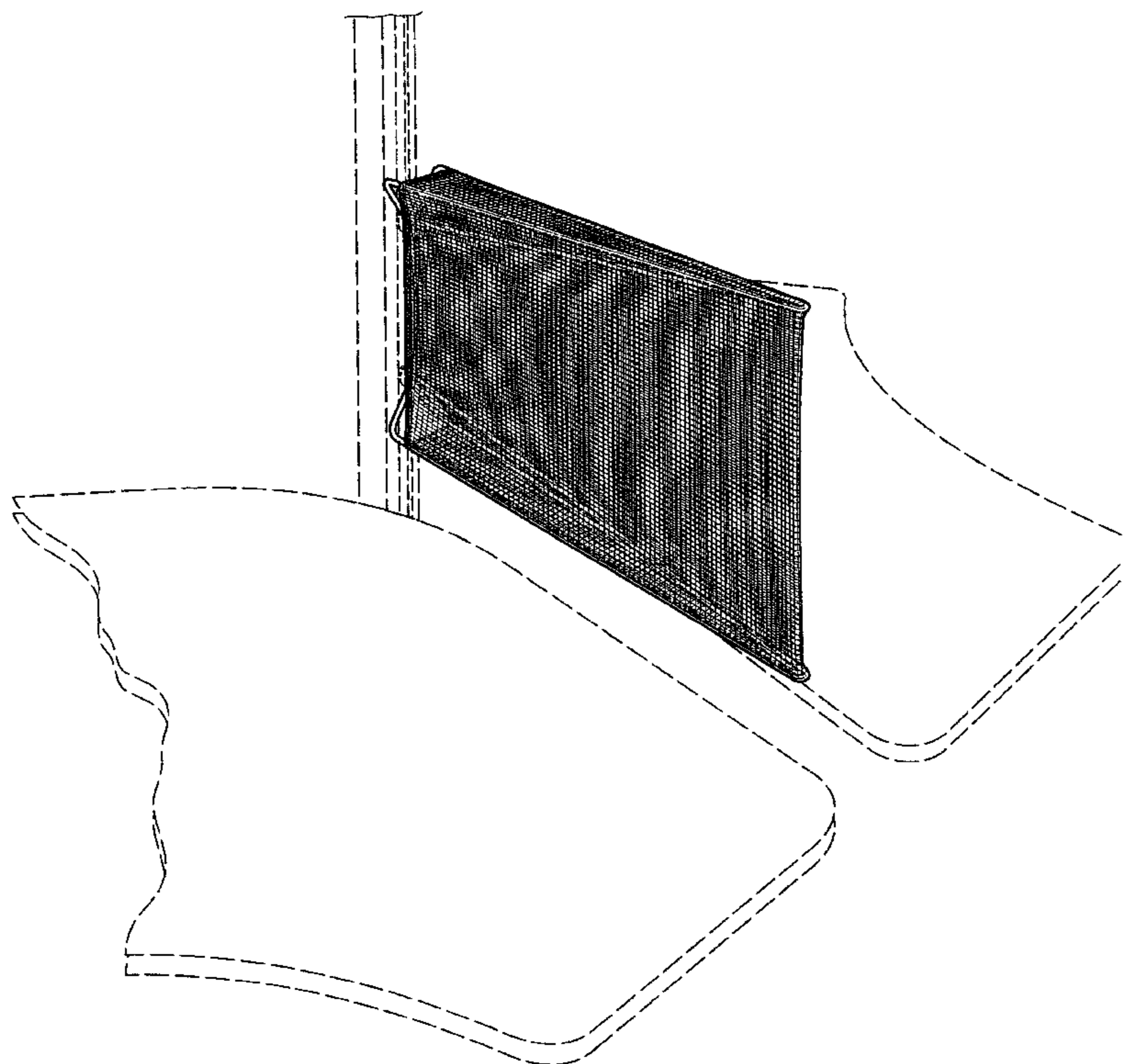
FIG. 1 is a perspective view of a first embodiment of a worksurface screen showing my design; FIG. 2 is a front view of a face of FIG. 1, the opposite side being a mirror image thereof; FIG. 3 is a top view of FIG. 1, the bottom view being a mirror image thereof; FIG. 4 is a rear end view of FIG. 1; and FIG. 5 is a front end view; of FIG. 1. FIG. 6 is a perspective view of a second embodiment of a worksurface screen showing my design; FIG. 7 is a front view of a face of FIG. 6, the opposite side being a mirror image thereof; FIG. 8 is a top view of FIG. 6, the bottom view being a mirror image thereof; FIG. 9 is a rear end view of FIG. 6; and, FIG. 10 is a front end view; of FIG. 6. The broken lines in FIGS. 1-10 are to show the environment and do not form a part of the claimed design.

(56) **References Cited**

U.S. PATENT DOCUMENTS

2,942,924 A	6/1960	Stangert	
3,464,372 A	9/1969	Fiterman et al.	
D359,161 S	6/1995	Byrne	
D363,597 S	10/1995	Byrne	
5,609,112 A	3/1997	Meyer et al.	
5,694,733 A	* 12/1997	Gallemore, II	40/218 X
D409,419 S	* 5/1999	Wilkinson	D6/486
D414,878 S	10/1999	Byrne	
5,971,171 A	10/1999	Thorp et al.	
6,076,474 A	* 6/2000	Grabowski et al.	108/50.02

1 Claim, 4 Drawing Sheets



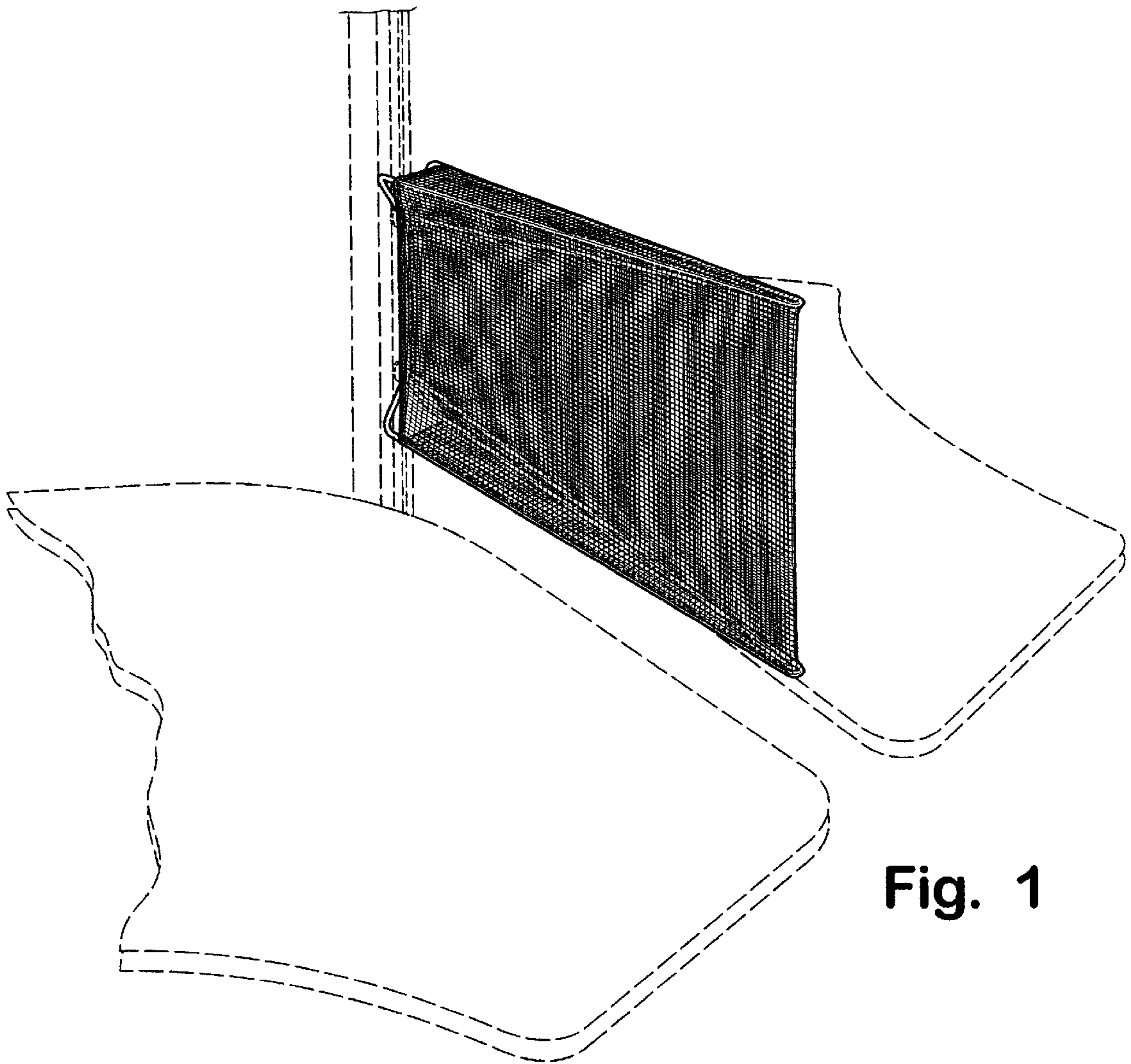


Fig. 1

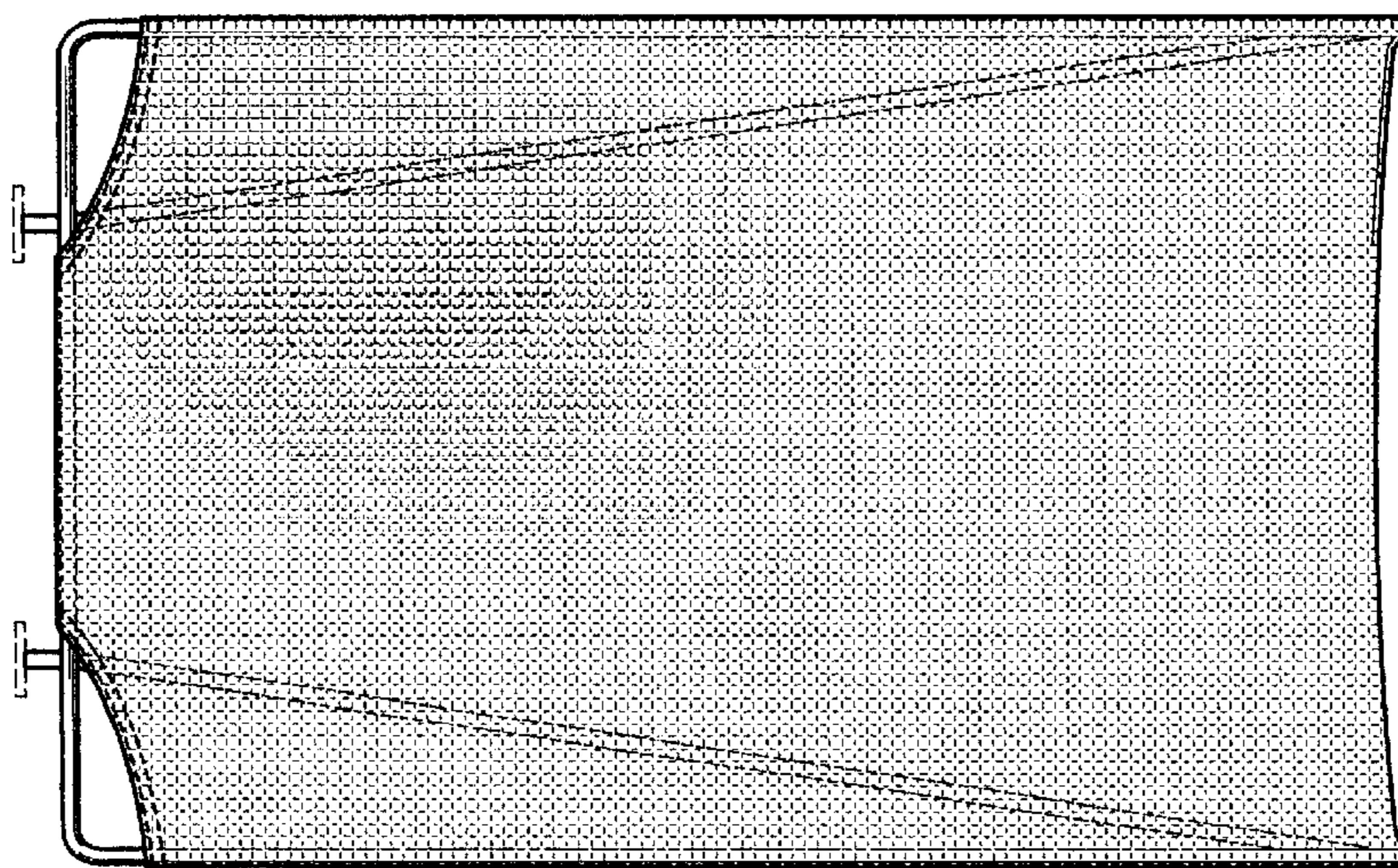


Fig. 2

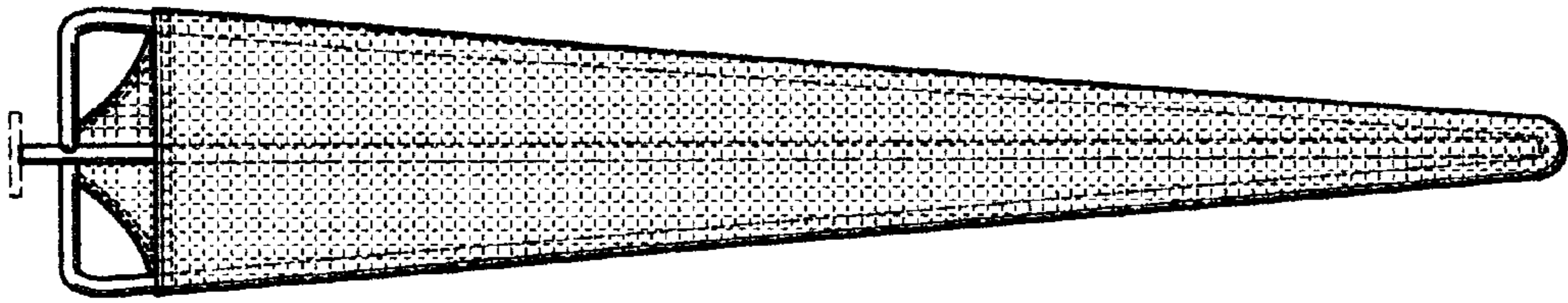


Fig. 3

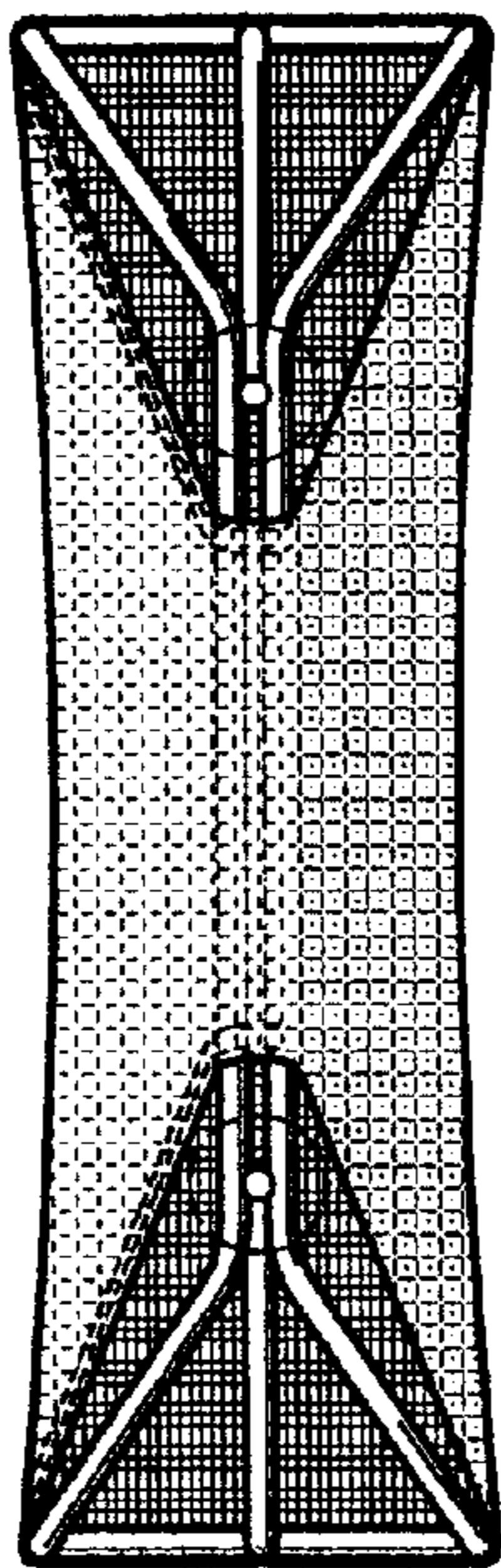


Fig. 4

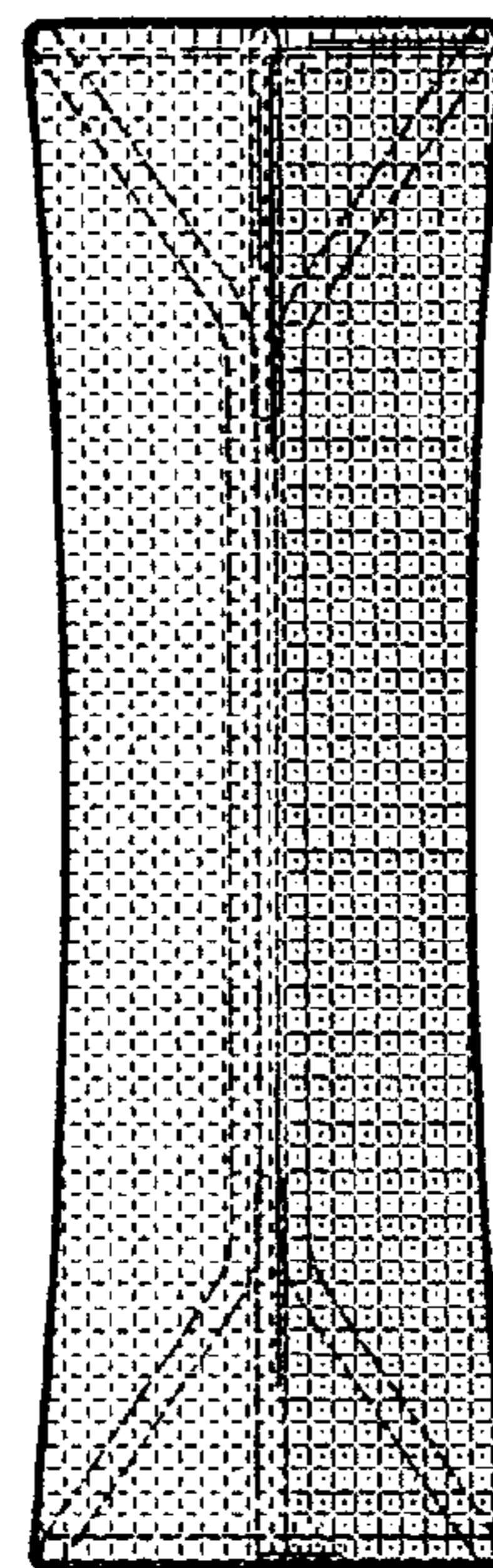


Fig. 5

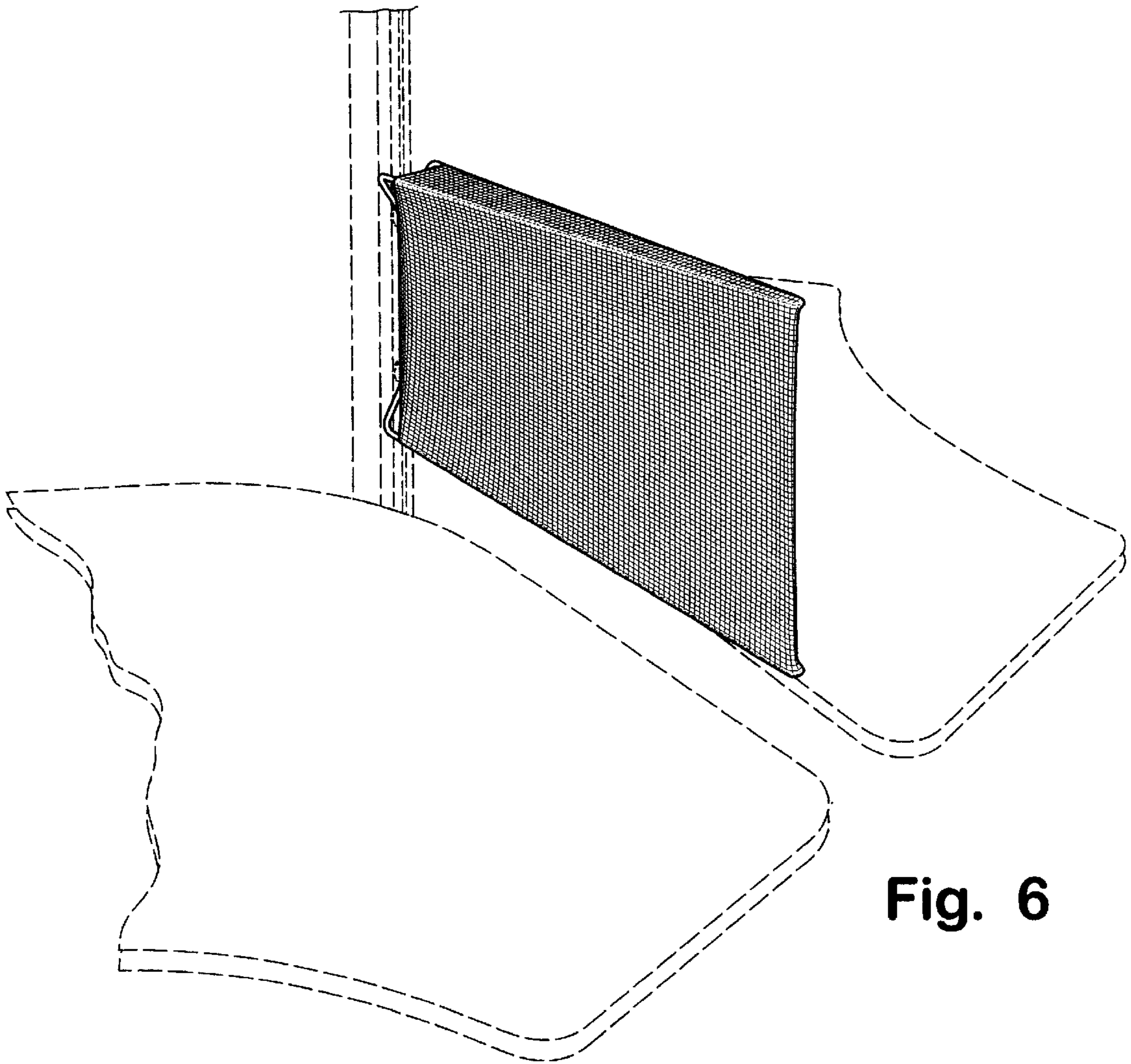


Fig. 6

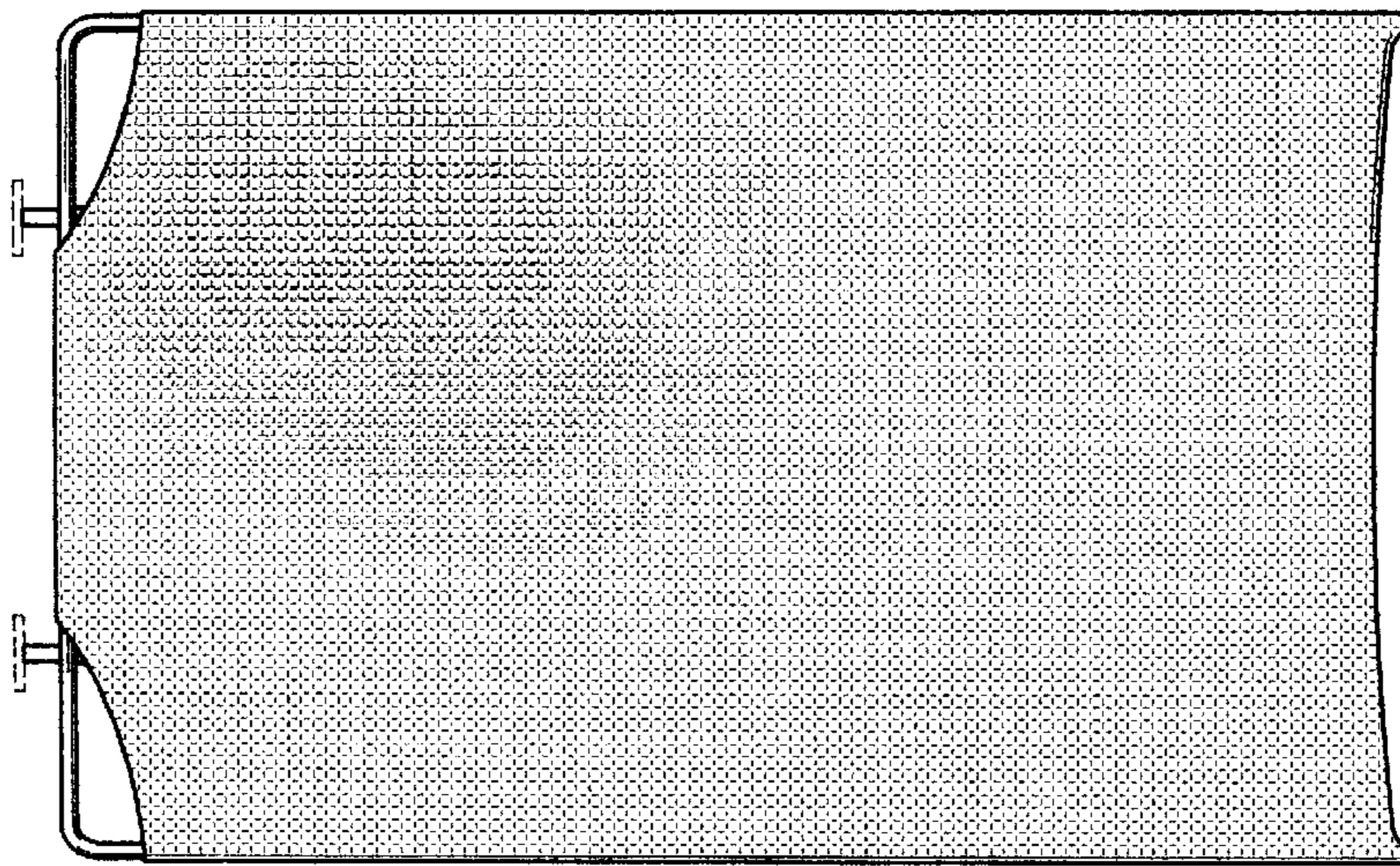


Fig. 7

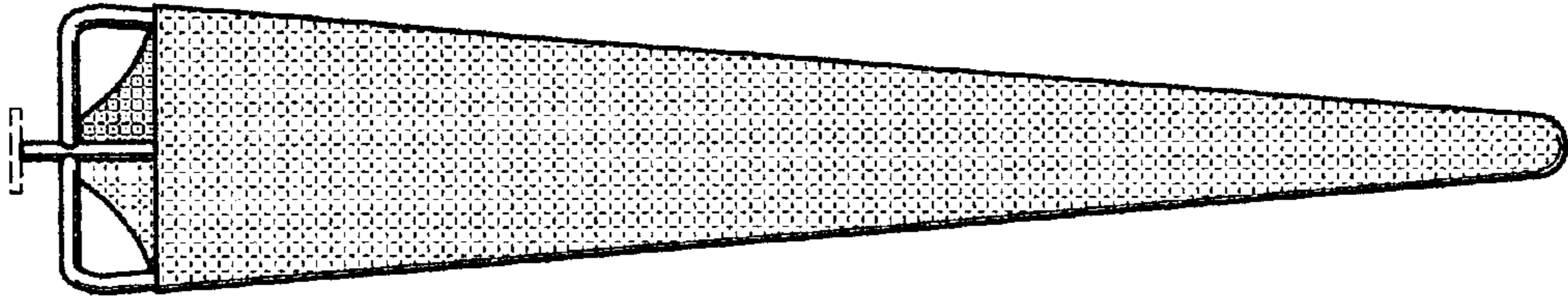


Fig. 8

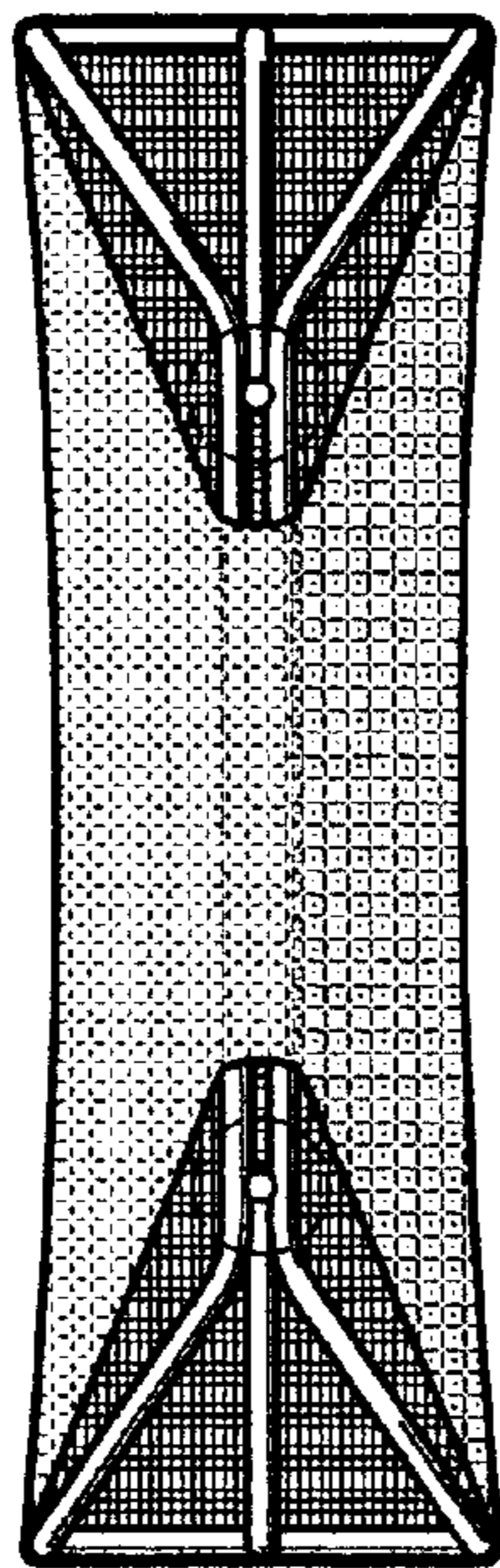


Fig. 9

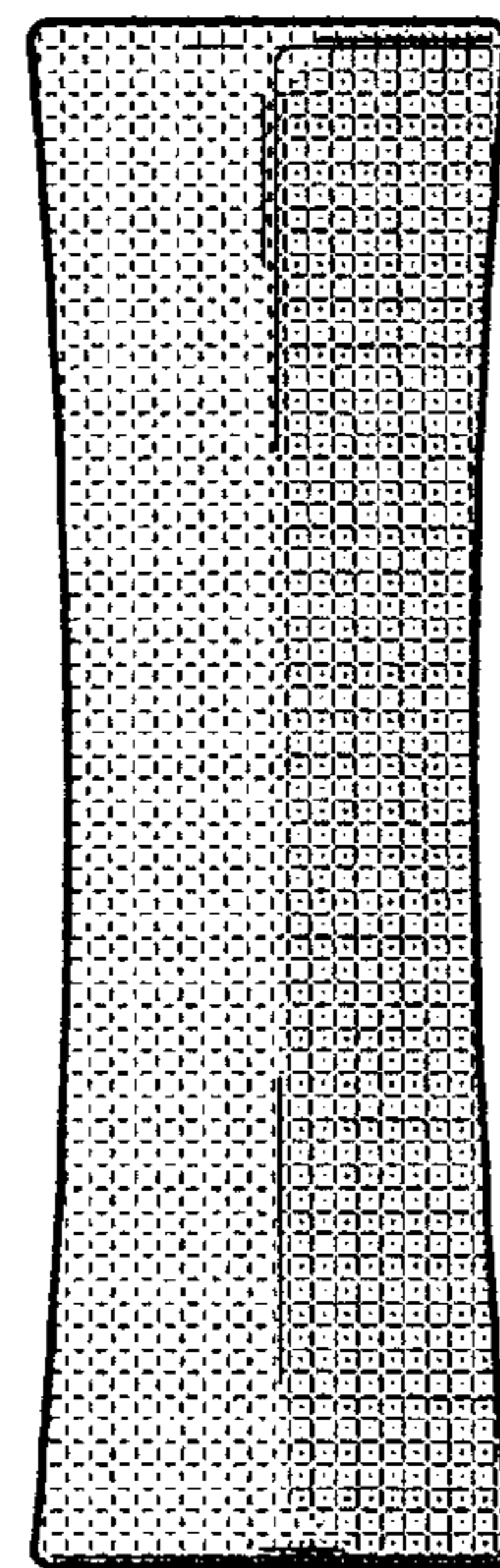


Fig. 10

UNITED STATES PATENT AND TRADEMARK OFFICE
CERTIFICATE OF CORRECTION

PATENT NO. : Des 457,017 S
DATED : May 14, 2002
INVENTOR(S) : Karl H. Müller

Page 1 of 1

It is certified that error appears in the above-identified patent and that said Letters Patent is hereby corrected as shown below:

Title page,

Item [75], Inventor: "**Karl H. Müller**" should be -- **Karl H. Müller** --

Signed and Sealed this

Twenty-third Day of July, 2002

Attest:

A handwritten signature in black ink, appearing to read "James E. Rogan", written over a horizontal line.

Attesting Officer

JAMES E. ROGAN
Director of the United States Patent and Trademark Office